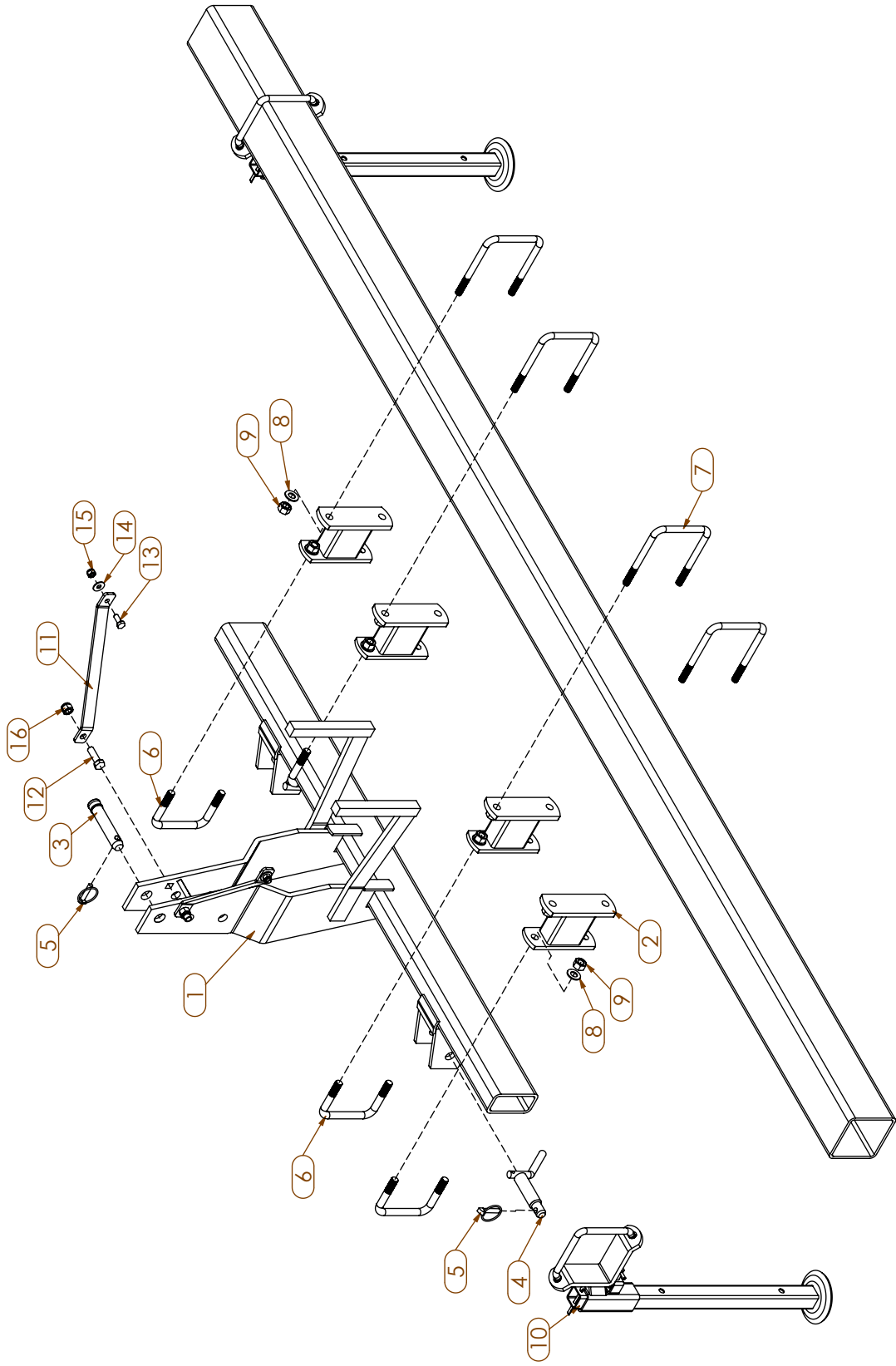
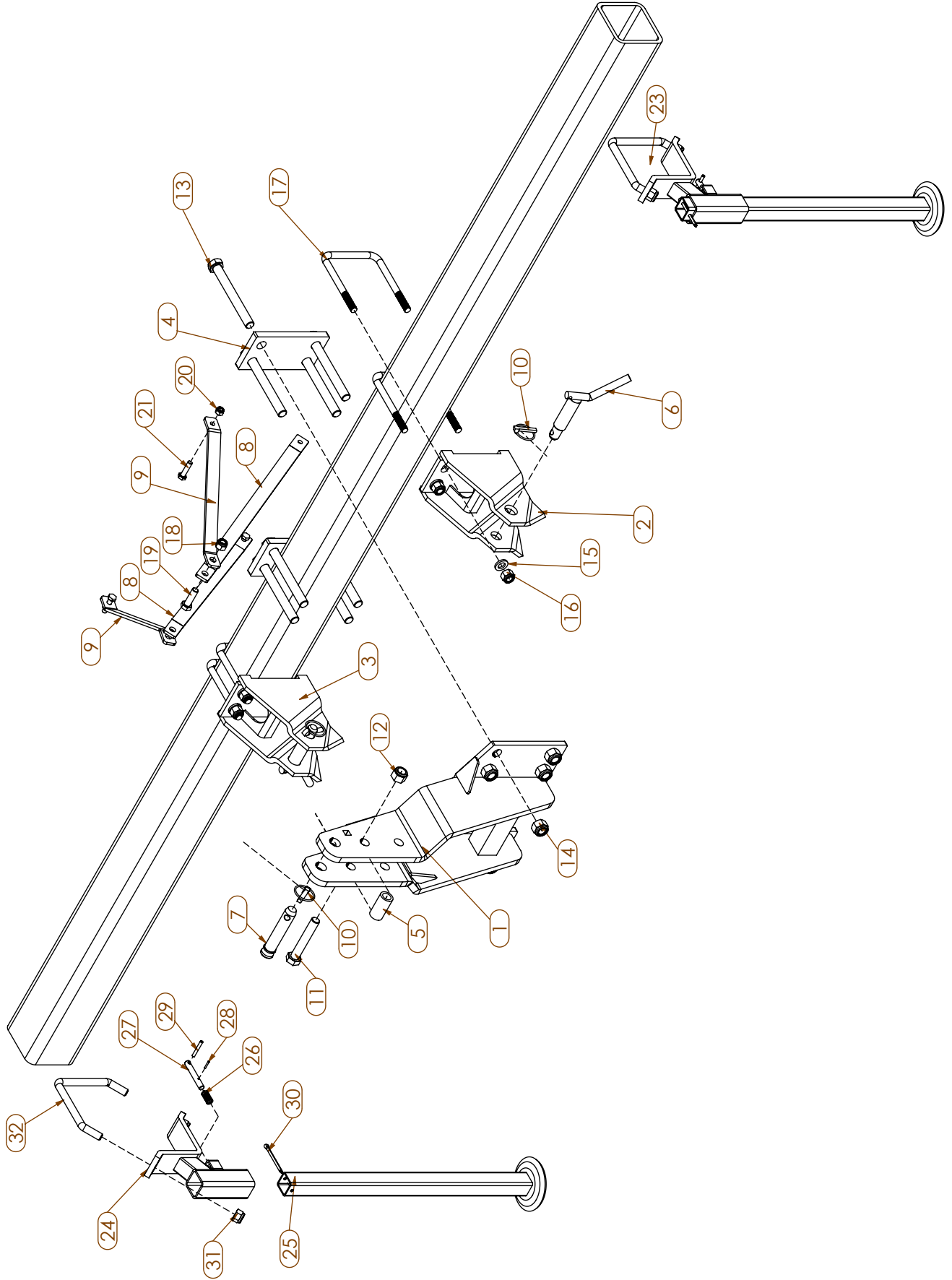

**PARTS
ILLUSTRATIONS**

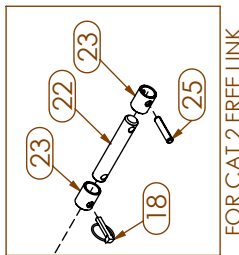
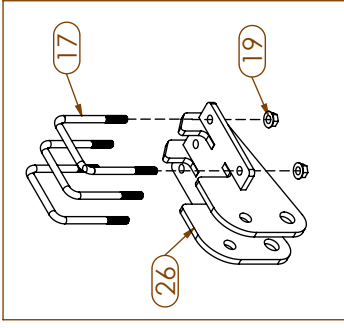
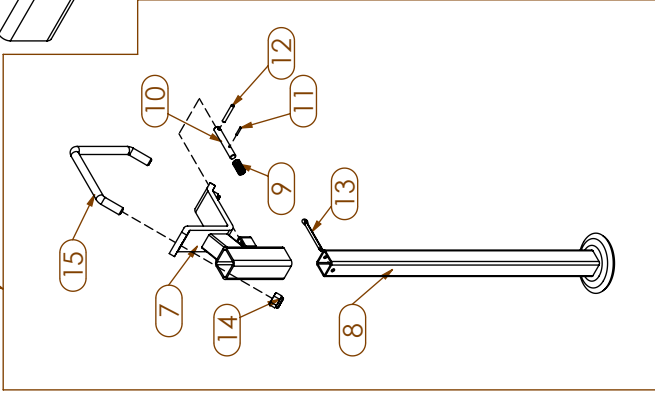
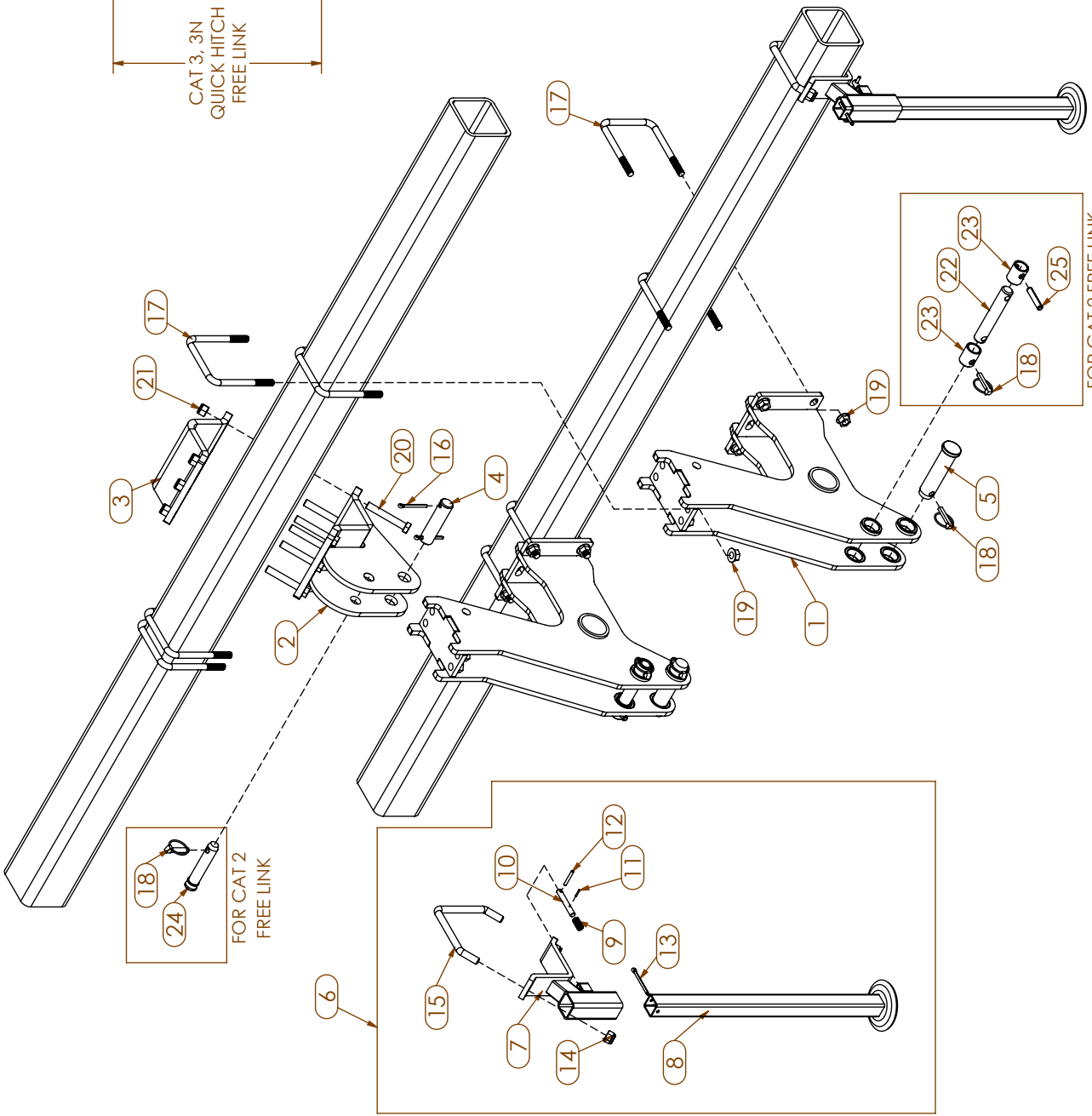
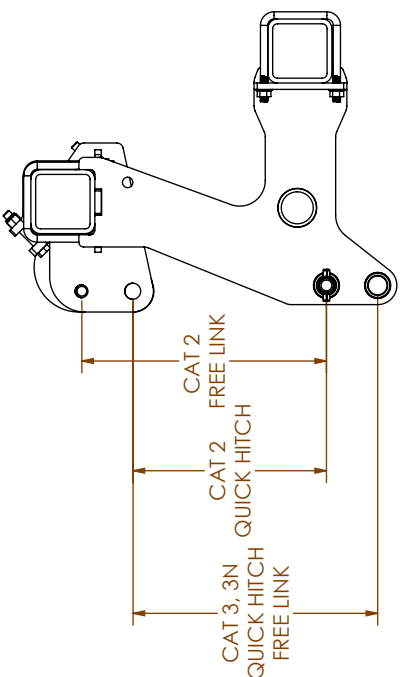
**MS SERIES
MOUNTED**



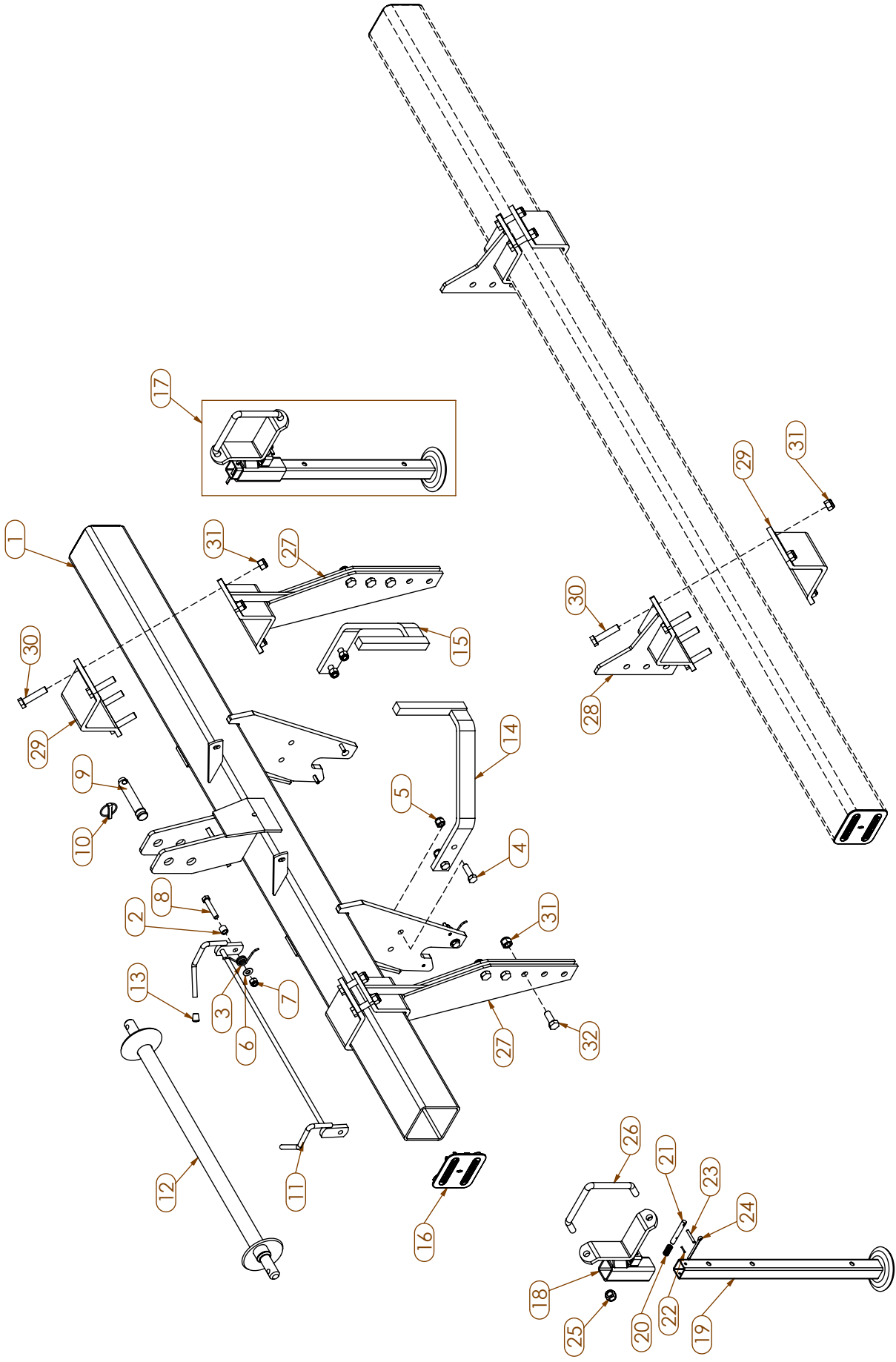
ITEM	PART NUMBER	DESCRIPTION
1	4925	5 X 5 MS HITCH TOOLBAR
2	11576.2	SPACER, MS HITCH
3	4480.2	UPPER HITCH PIN 1" DIA
4	4535.2	LOWER HITCH PIN, CAT II
5	11476.1	LYNCHPIN w/CHAIN
6	11577	U-BOLT, 4-3/4 X 2-1/2 X 16MM
7	4502	U-BOLT, 5 X 5 X 16mm
8	W-5410	WASHER, FLAT, 5/8" SAE G8
9	NM-51601	NUT, HEX, 16mm, G8.8
10	640838	5 X 5 JACKSTAND
11	4532.1	STRAP, 9.25
12	HM-71445	HEX, BOLT, 14 X 45, G8.8
13	HM-41025	HEX, BOLT, 10 X 25, G8.8
14	10620095	WASHER, FLAT, 10.5 X 27 X 2
15	NM-21015	NUT, NYLOCK, 10mm, G8.8
16	NM-41205	NUT, NYLOCK, 14mm, G8.8



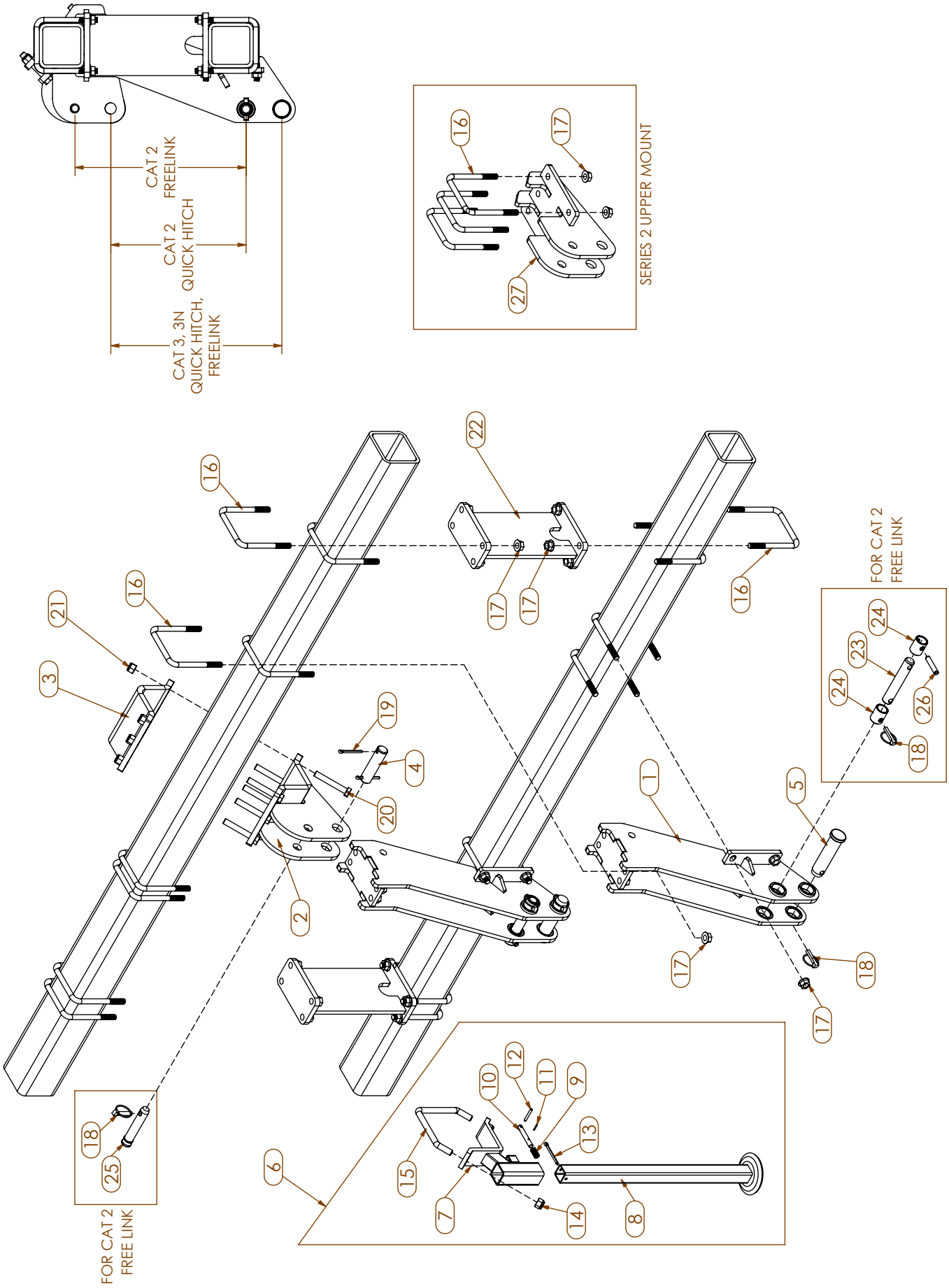
ITEM	PART NUMBER	DESCRIPTION
1	4530.2	HITCH
2	4531.1	LOWER 3 PT BRACKET L
3	4531.2	LOWER 3 PT BRACKET R
4	4585	REINFORCED HITCH PLATE
5	4587	BUSHING, 20 X 30 X 60
6	4535.2	LOWER HITCH PIN, CAT II
7	4480.2	UPPER HITCH PIN 1" DIA
8	4532	STRAP, 22-1/4
9	4532.1	STRAP, 9.25
10	11476.1	LYNCHPIN w/CHAIN
11	H-6451	BOLT, HEX, 3/4"-10 X 4-1/2" G8
12	N-6101	NUT, NYLOCK 3/4"-10 G8
13	4586	BOLT, 20 X 180
14	NM-72005	NUT, NYLOCK, 20mm, G8.8
15	10622069	WASHER, FLAT, 17.5 X 30 X 4
16	NM-51605	NUT, NYLOCK, 16mm, G8.8
17	4502	U-BOLT, 5 X 5 X 16mm
18	NM-41205	NUT, NYLOCK, 14mm, G8.8
19	HM-71445	HEX, BOLT, 14 X 45, G8.8
20	NM-21015	NUT, NYLOCK, 10mm, G8.8
21	HM-41040	HEX, BOLT, 10 X 40, G8.8
22	HM-41035	HEX, BOLT, 10 X 35, G8.8
23	640838	5 X 5 JACKSTAND
24	4541	BRACKET
25	4540	STAND
26	6904	SPRING
27	11456	PIN
28	10172021	ROLL PIN, 3 X 20mm
29	10172094	ROLL PIN, 6 X 45mm
30	10170098	SPLIT PIN, 6 X 70mm
31	NM-51605	NUT, NYLOCK, 16mm, G8.8
32	4501	V-BOLT, 5X5, M16



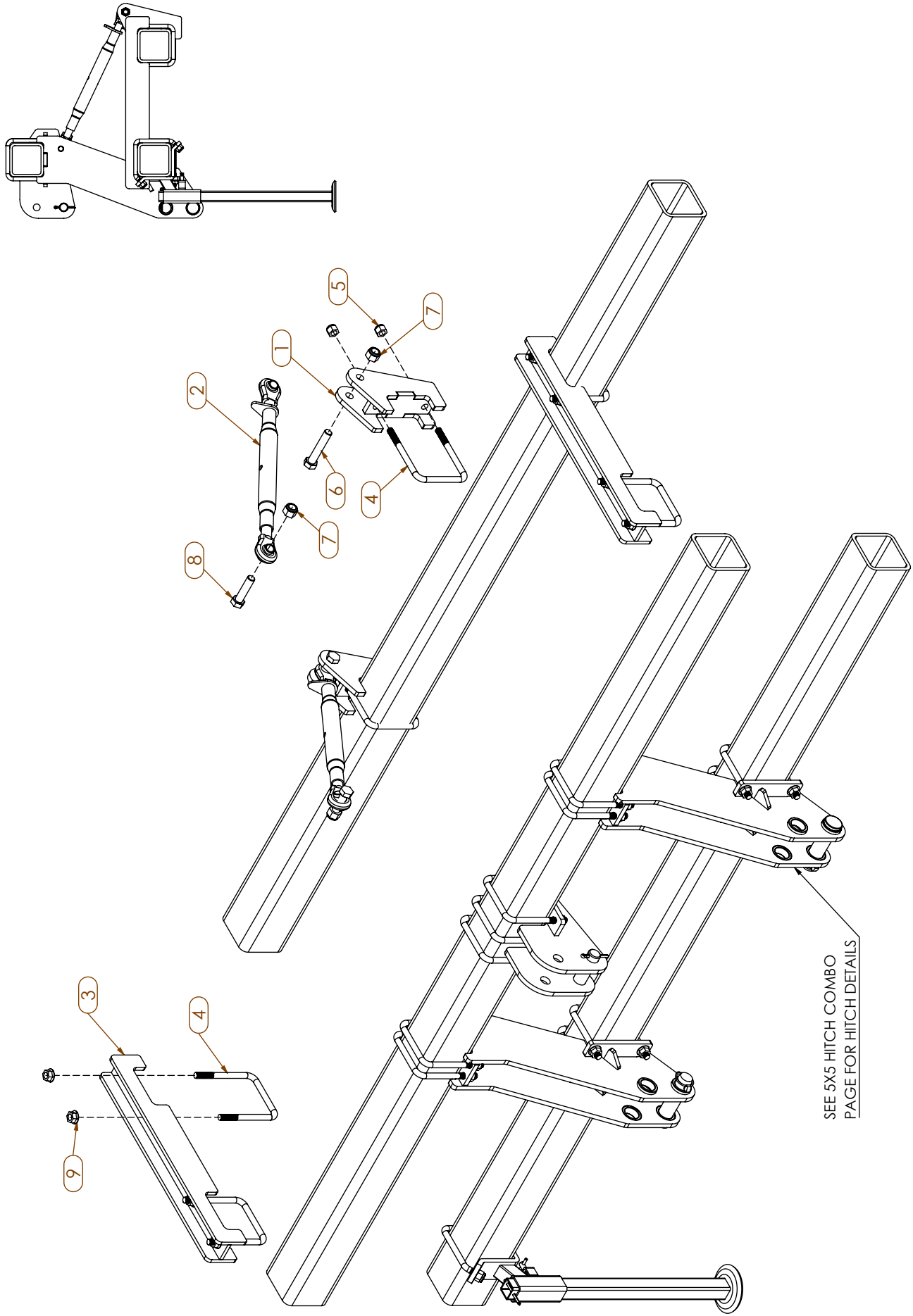
ITEM	PART NUMBER	DESCRIPTION
1	201151	5X5 DOUBLE TOOLBAR HITCH WA
2	200188	3 PT. UPPER MOUNT
3	802911	V-CLAMP, 5 X 5
4	801245	CAT 3 UPPER HITCH PIN
5	301136	HITCH PIN, CAT 3 LOWER NON HT
6	640838	5 X 5 JACKSTAND
7	4541	BRACKET
8	4540	STAND
9	6904	SPRING
10	11456	PIN
11	10172021	ROLL PIN, 3 X 20mm
12	10172094	ROLL PIN, 6 X 45mm
13	10170098	SPLIT PIN, 6 X 70mm
14	NM-51605	NUT, NYLOCK, 16mm, G8.8
15	4501	V-BOLT, 5X5, M16
16	O104-022	SPLIT PIN, 1/4" X 2-1/2"
17	4502.SS	U-BOLT, 5 X 5 X 5/8
18	O104-036	LYNCH PIN, 7/16"
19	N-5401	NUT, FLANGE, 5/8"-11
20	H-5401	BOLT, HEX, 5/8"-11 X 4" G5
21	N-5101	NUT, NYLOCK, 5/8"-11 G8
22	804273	HITCH PIN, CAT 2 LOWER
23	804274	CAT 2-3 ADAPTER SLEEVE
24	4480.2	UPPER HITCH PIN 1" DIA
25	O104-102	ROLL PIN, 1/2" X 2-1/2"
26	201252	3 PT. UPPER MOUNT



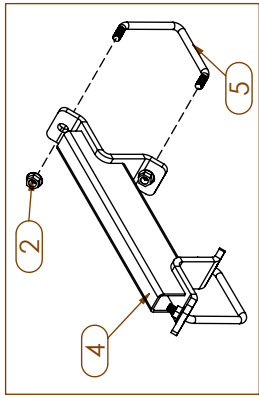
ITEM	PART NUMBER	DESCRIPTION
1	4603.A	UPPER BAR ADVANCED HITCH
2	4369	SLEEVE LOCKING ROD
3	4370	SPRING
4	HM-71445	HEX. BOLT, 14 X 45, G8.8
5	NM-41205	NUT, NYLOCK, 14mm, G8.8
6	10621046	WASHER, FLAT, 13 X 27 X 2
7	NM-31205	NUT, NYLOCK, 12mm, G8.8
8	HM-61265	HEX. BOLT, 12 X 65, G10.9
9	4480.2	UPPER HITCH PIN 1" DIA
10	11476.1	LYNCHPIN w/CHAIN
11	4366.C	LOCKING ROD
12	4365.A	HITCH BAR
13	4549	CAP
14	4604.1	SUPPORT BRACKET L
15	4604.2	SUPPORT BRACKET R
16	4517	5 X 5 ENDCAP
17	640838	5 X 5 JACKSTAND
18	4541	BRACKET
19	4540	STAND
20	6904	SPRING
21	11456	PIN
22	10172021	ROLL PIN, 3 X 20mm
23	10172094	ROLL PIN, 6 X 45mm
24	10170098	SPLIT PIN, 6 X 70mm
25	NM-51605	NUT, NYLOCK, 16mm, G8.8
26	4501	V-BOLT, 5X5, M16
27	4606.1	UPPER DRIVE CLAMP FRONT
28	4606.2	LOWER DRIVE CLAMP FRONT
29	1534.A	CLAMP, 5 X 5
30	HM-81670	HEX. BOLT, 16 X 70, G8.8
31	NM-51605	NUT, NYLOCK, 16mm, G8.8
32	HM-81640	HEX. BOLT, 16 X 40, G8.8



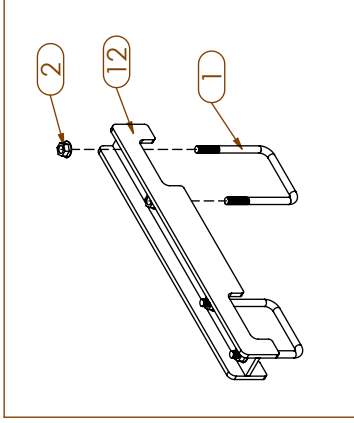
ITEM	PART NUMBER	DESCRIPTION
1	201149	5 X 5 HITCH COMBO WA
2	200188	3 PT. UPPER MOUNT
3	802911	V-CLAMP, 5 X 5
4	801245	CAT 3 UPPER HITCH PIN
5	301136	HITCH PIN, CAT 3 LOWER NON HT
6	640838	5 X 5 JACKSTAND
7	4541	BRACKET
8	4540	STAND
9	6904	SPRING
10	11456	PIN
11	10172021	ROLL PIN, 3 X 20mm
12	10172094	ROLL PIN, 6 X 45mm
13	10170098	SPLIT PIN, 6 X 70mm
14	NM-51605	NUT, NYLOCK, 16mm, G8.8
15	4501	V-BOLT, 5X5, M16
16	4502.SS	U-BOLT, 5 X 5 X 5/8
17	N-5401	NUT, FLANGE, 5/8"-11
18	O104-036	LYNCH PIN, 7/16"
19	O104-022	SPLIT PIN, 1/4" X 2-1/2"
20	H-5401	BOLT, HEX, 5/8"-11 X 4" G5
21	N-5101	NUT, NYLOCK, 5/8"-11 G8
22	201150	HITCH SPACER WA, 5X5 COMBO
23	804273	HITCH PIN, CAT 2 LOWER
24	804274	CAT 2-3 ADAPTER SLEEVE
25	4480.2	UPPER HITCH PIN 1" DIA
26	O104-102	ROLL PIN, 1/2" X 2-1/2"
27	201252	3 PT. UPPER MOUNT



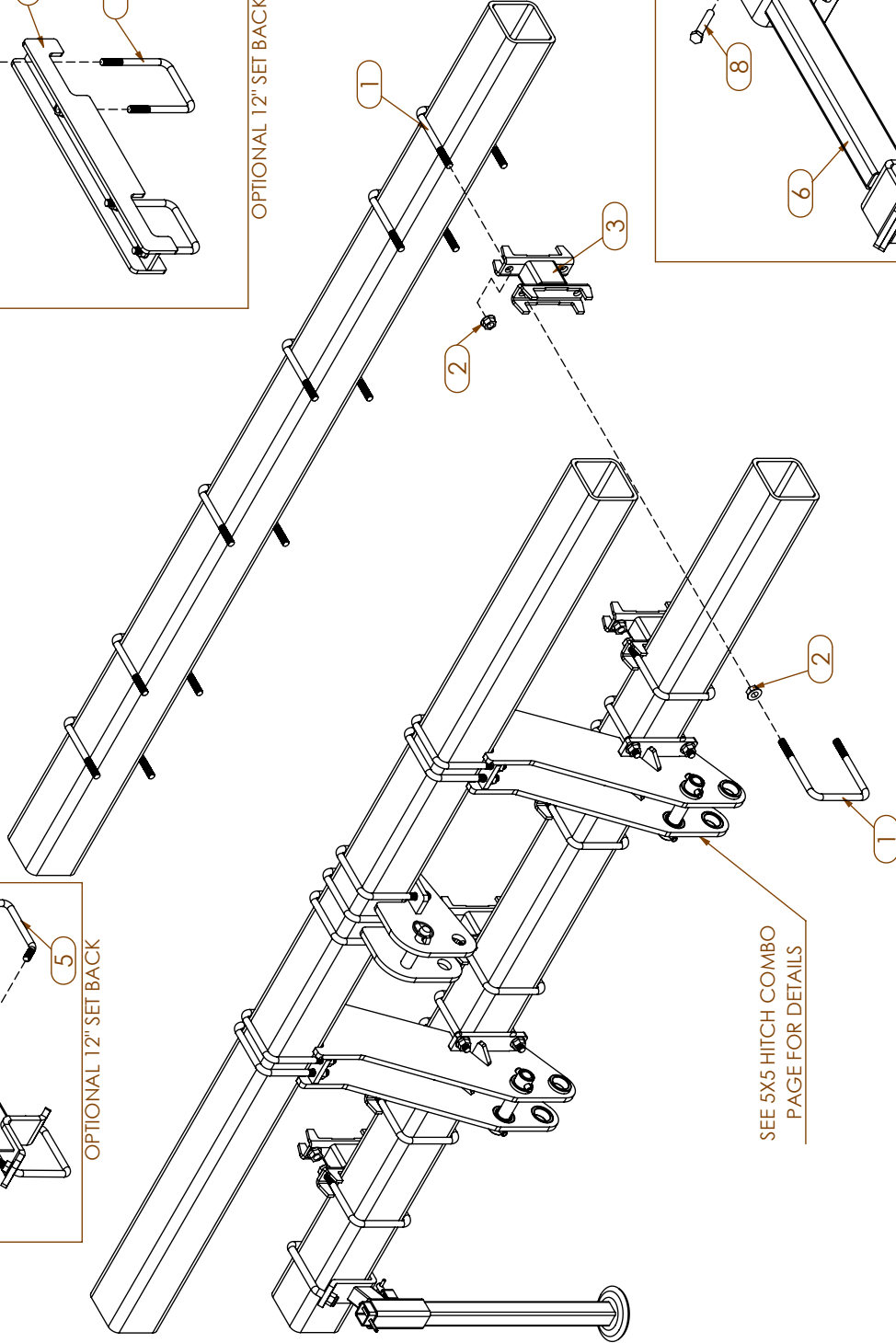
ITEM	PART NUMBER	DESCRIPTION
1	201189	TIE BACK BRACKET WA, 5 IN
2	301159	CAT 1 ADJUSTABLE LINK
3	201324	5 X 5 TOOLBAR SPACER, 12"
4	4502.SS	U-BOLT, 5 X 5 X 5/8
5	N-5101	NUT, NYLOCK, 5/8"-11 G8
6	H-6401	BOLT, HEX, 3/4"-10 X 4" G8
7	N-6101	NUT, NYLOCK 3/4"-10 G8
8	H-6301	BOLT, HEX, 3/4"-10 X 3" G8
9	N-5401	NUT, FLANGE, 5/8"-11



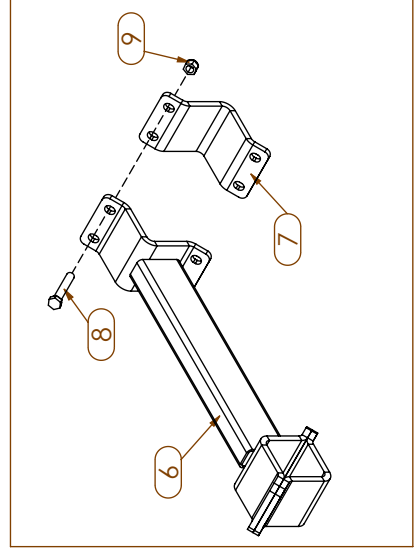
OPTIONAL 12" SET BACK



OPTIONAL 12" SET BACK

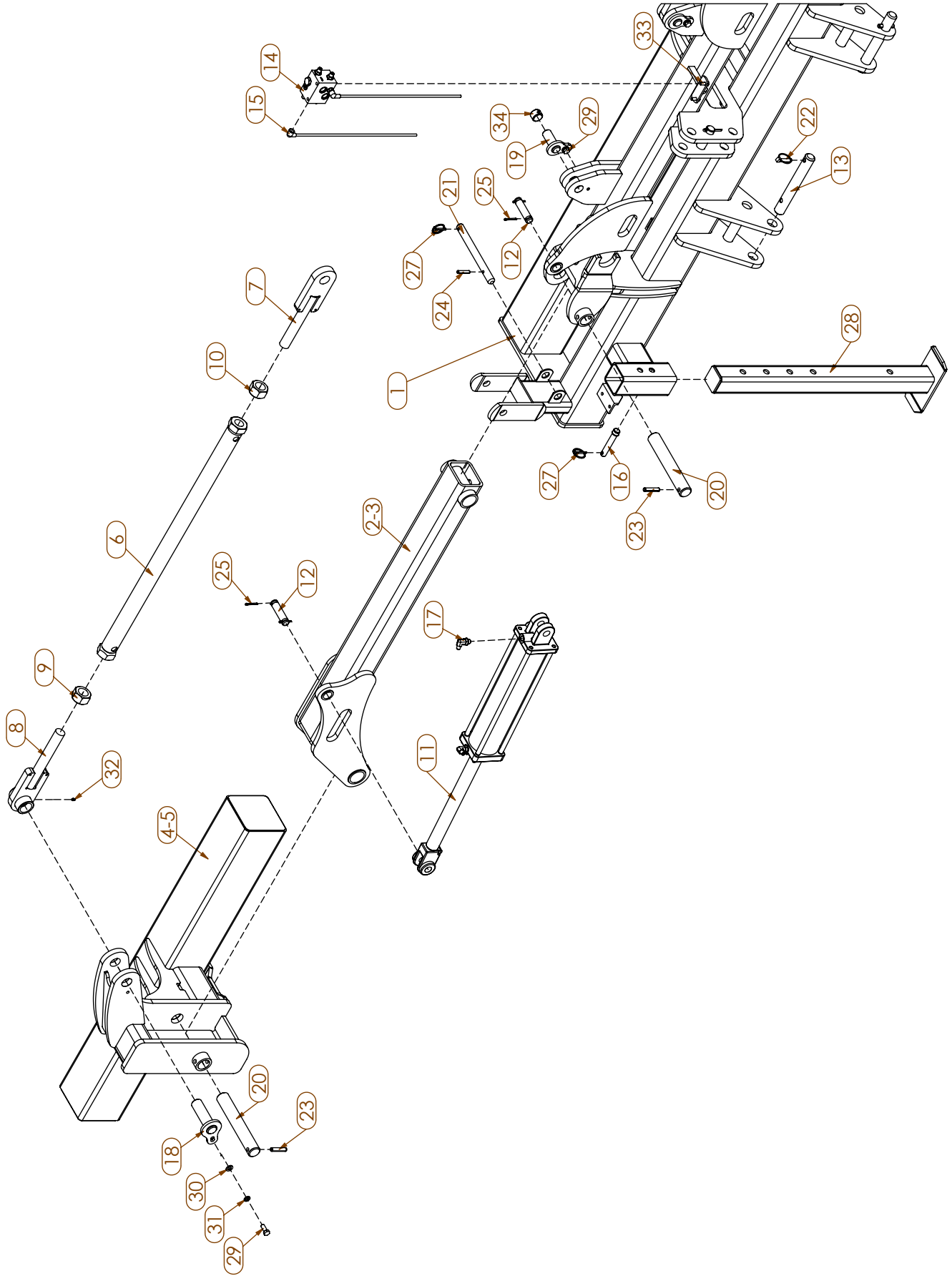


SEE 5X5 HITCH COMBO
PAGE FOR DETAILS

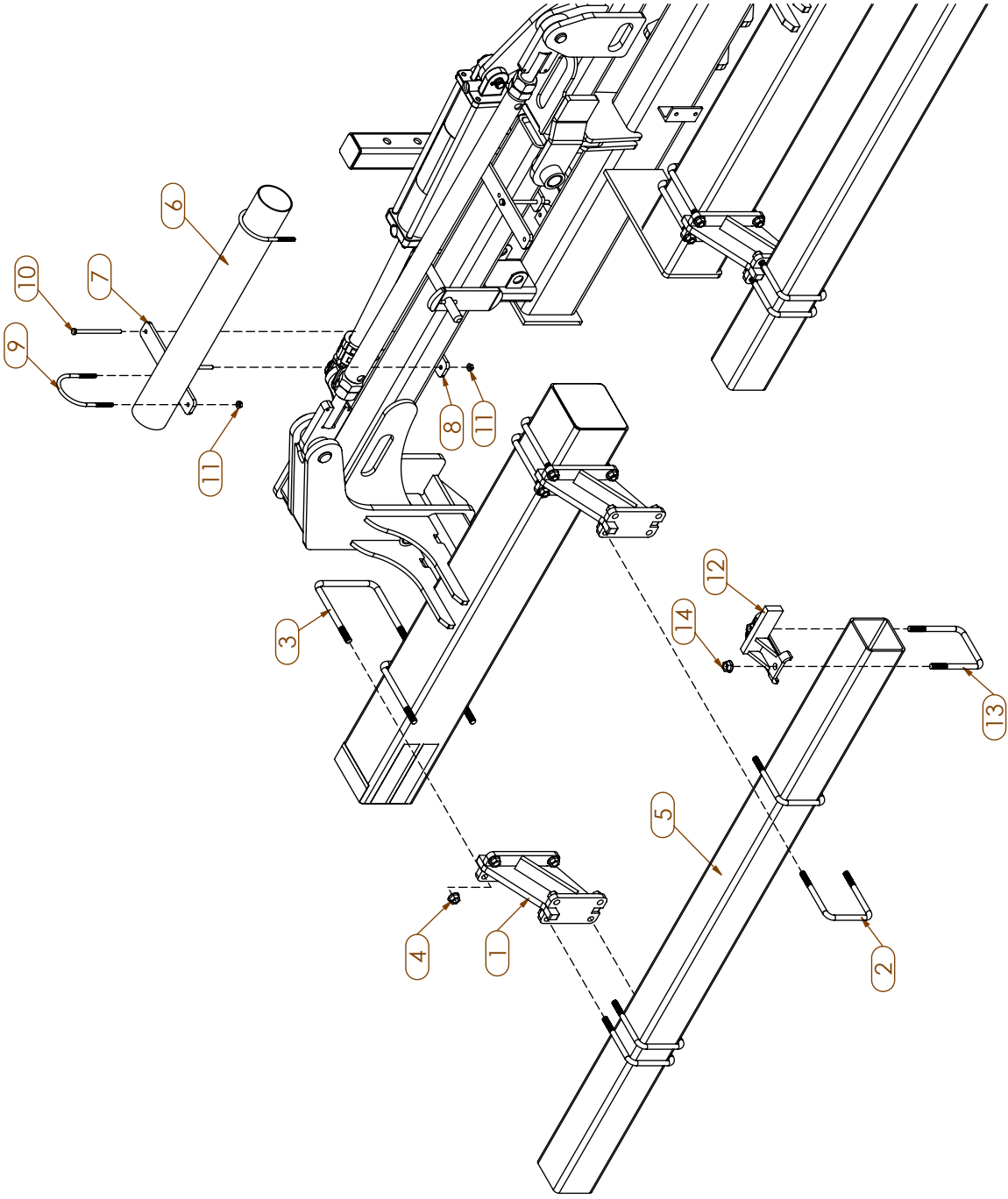


OPTIONAL 22" SET BACK

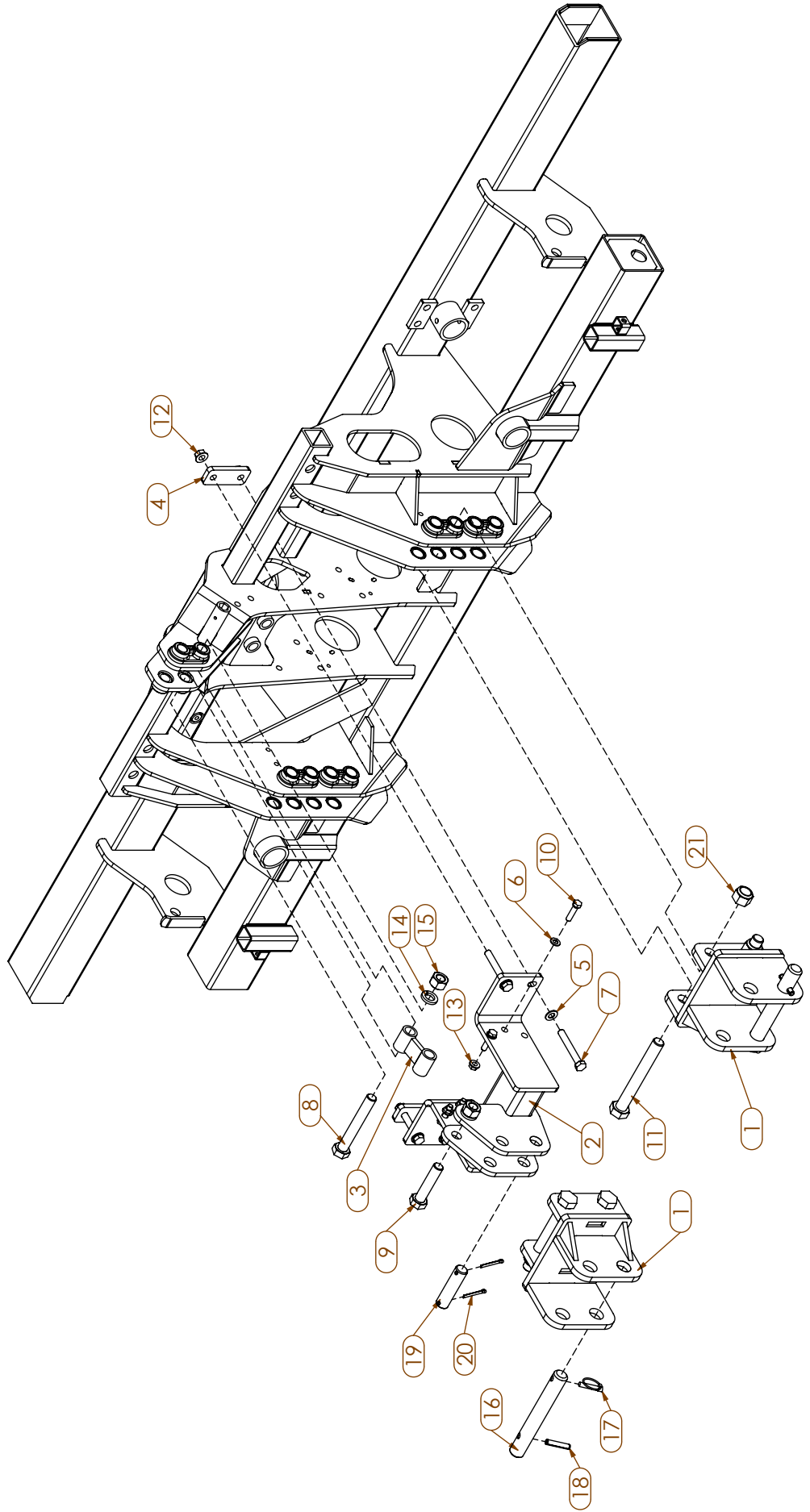
ITEM	PART NUMBER	DESCRIPTION
1	4502.SS	U-BOLT, 5 X 5 X 5/8
2	N-5201	NUT, CENTER LOCK FLANGE, 5/8"-11
3	201243	SPACER, 5X5, 4" OFFSET
4	900151	SPACER
5	4501.SA	5X5 V - BOLT
6	200357	OFFSET BRACKET 22IN
7	800969	V-CLAMP, 5 X 5, (4-HOLE)
8	H-5401	BOLT, HEX, 5/8"-11 X 4" G5
9	N-5101	NUT, NYLOCK, 5/8"-11 G8
10	201324	5 X 5 TOOLBAR SPACER, 12"
11	804687	PLATE
12	804688	SIDE RAIL



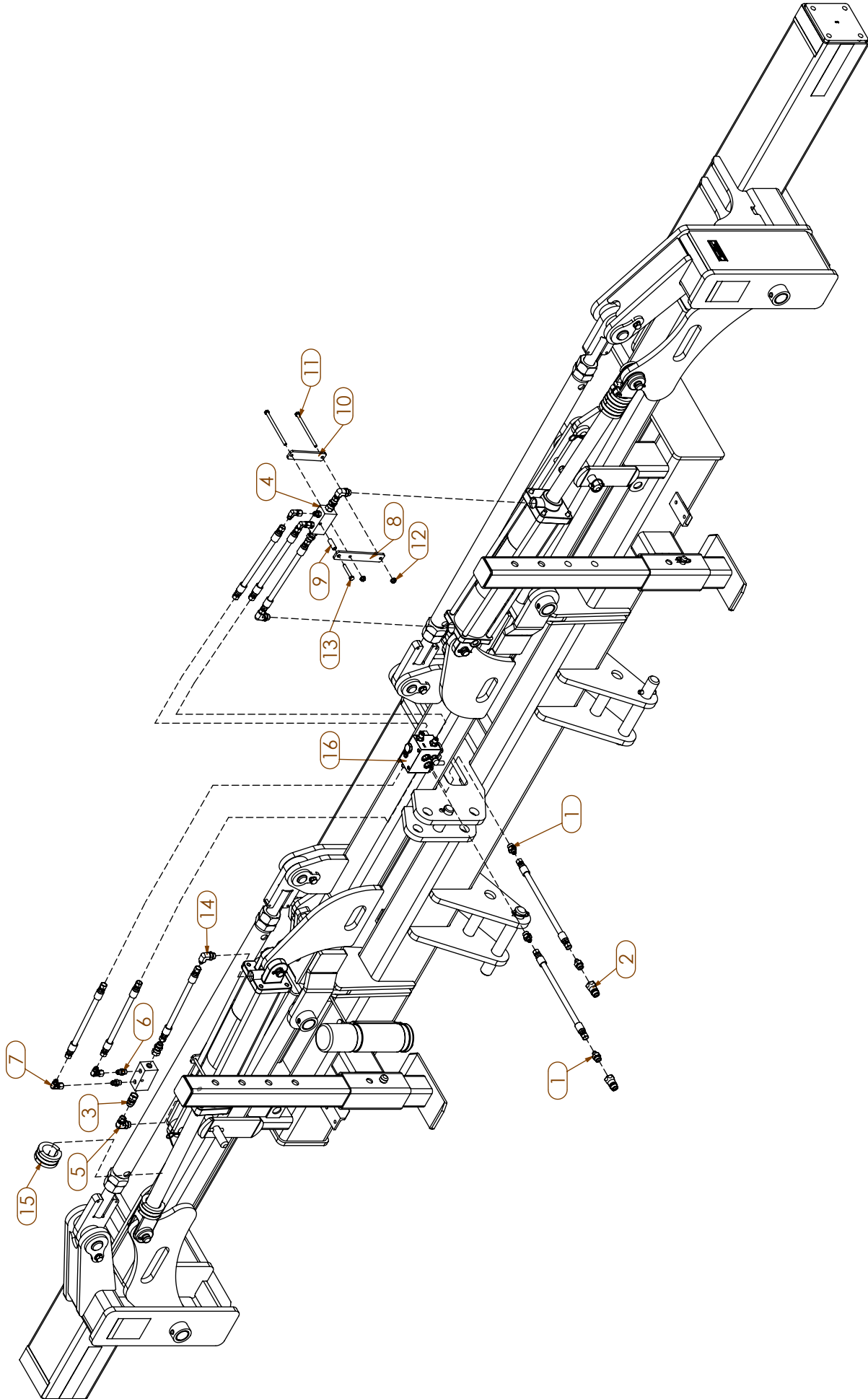
ITEM	PART NUMBER	DESCRIPTION
1	351-900	FRAME, CENTER, 8R30
2	351-925	TRUSS ARM, R, 8R30
3	351-926	TRUSS ARM, L, 8R30
4	351-935	WING, R, 8R30
5	351-936	WING, L, 8R30
6	351-954	TURNBUCKLE LINKAGE
7	351-951	TURNBUCKLE SCREW, LEFT
8	351-952	TURNBUCKLE SCREW, RIGHT
9	102-117	NUT, 1-1/2"
10	102-118	NUT, 1-1/2" LEFT HAND
11	194-350	HYD CYLINDER, 4" x 18"
12	O104-071	PIN, CYLINDER CLEVIS, 1" x 3-1/4"
13	801244	CAT 3 LOWER HITCH PIN
14	336-265	HYD VALVE, FLOW DIVIDER
15	301-286	HYD THERMAL DRIP HOSE
16	STB-P-003	JACKSTAND PIN
17	O198-064	HYD FITTING, 3/4" MOB x 9/16" MJ, 90°
18	351-959	PIN, STRUT PIN
19	351-961	PIN, STRUT
20	351-958	PIN, HINGE, 1-3/4" x 11"
21	A111061	PIN, 1" X 11"
22	O104-036	LYNCH PIN, 7/16"
23	O104-102	ROLL PIN, 1/2" X 2-1/2"
24	F166023	ROLL PIN, 3/8" X 2"
25	F-65125	SPLIT PIN, 3/16" X 1-1/2"
26	O104-022	SPLIT PIN, 1/4" X 2-1/2"
27	6077	LYNCH PIN, 6MM
28	STB-A-002	JACKSTAND LEG WA
29	H-4111	BOLT, HEX, 1/2"-13 X 1-1/4" G5
30	W-4410	WASHER, FLAT, 1/2" SAE G8
31	W-4610	WASHER, SPLIT, 1/2", G8
32	300588	GREASE ZERK - 1/4"-28
33	H-3100	BOLT, HEX, 3/8"-16 X 1" G8
34	300222	BUSHING, 1.5 X 1.25 X 1.0



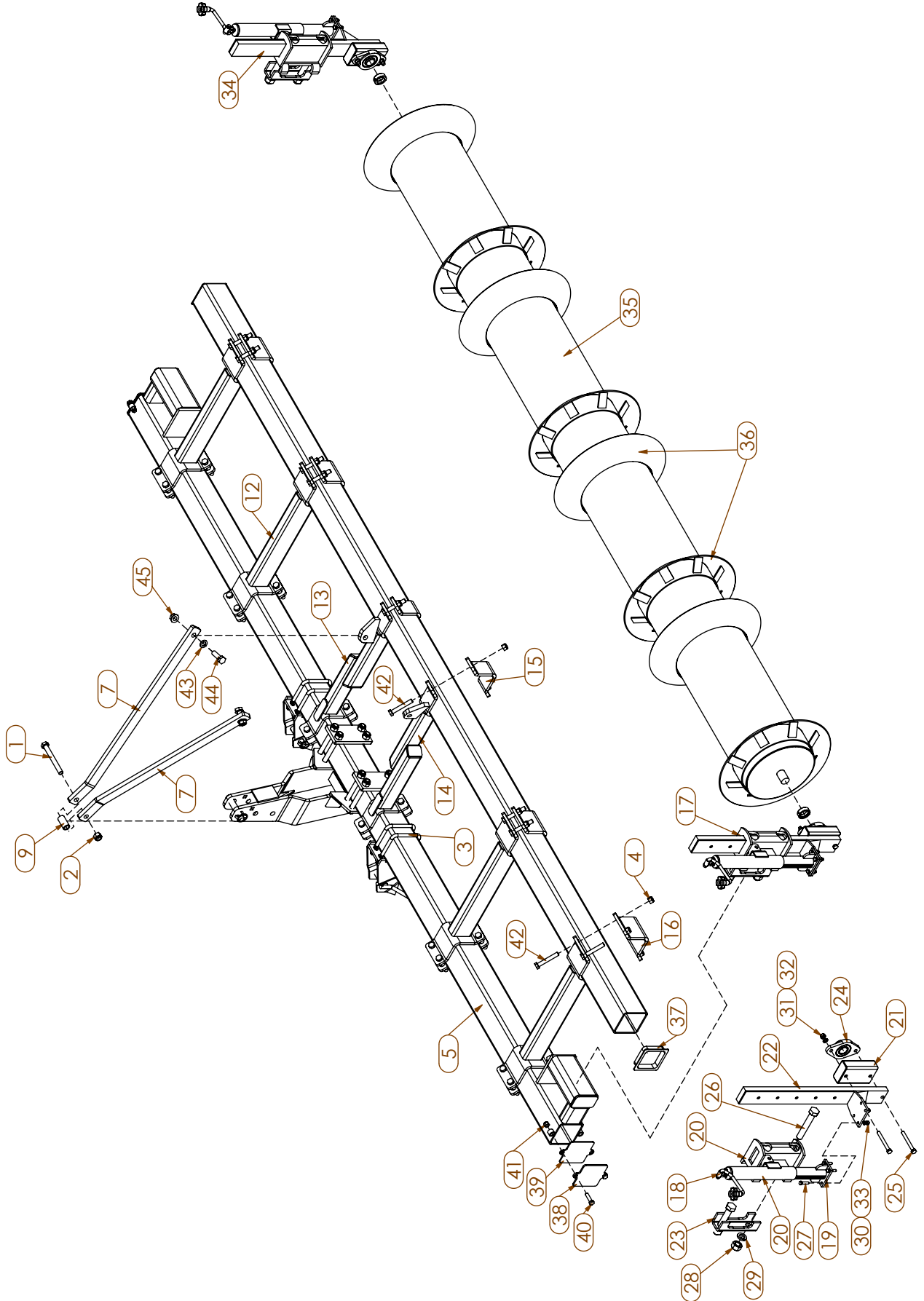
ITEM	PART NUMBER	DESCRIPTION
1	900454	ORTHMAN TO MS SPACER WA
2	4502.SS	U-BOLT, 5 X 5 X 5/8
3	4502.S	U-BOLT 7X7 X5/8-LL YZ
4	N-5401	NUT, FLANGE, 5/8"-11
5	804896	5X5 TOOLBAR
6	803578	TUBE, 4" X 33"
7	803577	PLATE, 4" BAZOOKA MNT
8	803569	PLATE, 5X5 COUNTER CLAMP - 3/8"
9	300077	U-BOLT 3/8"-16 X 4" ROUND
10	H-3650	BOLT, HEX, 3/8"-16 X 6" G8
11	N-2301	NUT, SER. FLANGE, 3/8"-16
12	201389	WING SUPPORT BRACKET, 5X5
13	4502.SS	U-BOLT, 5 X 5 X 5/8
14	N-5401	NUT, FLANGE, 5/8"-11



ITEM	PART NUMBER	DESCRIPTION
1	201107	HITCH POCKET ADAPTER WA
2	201108	HITCH HOOK ADAPTER WA
3	200962	TOP HOOK LINK WA
4	803720	COUNTERCLAMP PLATE, 66MM TUBE
5	W-5410	WASHER, FLAT, 5/8" SAE G8
6	W-4410	WASHER, FLAT, 1/2" SAE G8
7	H-5451	BOLT, HEX, 5/8"-11 X 4-1/2" G5
8	H-7607	BOLT, HEX, 1"-8 X 7" G8
9	H-7451	BOLT, HEX, 1"-8 X 4-1/2" G8
10	H-4201	BOLT, HEX, 1/2"-13 X 2" G8
11	H-8690	BOLT, HEX, 1-1/8"-7 X 9" G8
12	N-5401	NUT, FLANGE, 5/8"-11
13	N-4201	NUT, SER. FLANGE, 1/2"-13
14	W-7610	WASHER, SPLIT, 1", G8
15	N-8001	NUT, HEX, 1"-8, G8
16	801244	CAT 3 LOWER HITCH PIN
17	O104-036	LYNCH PIN, 7/16"
18	O104-102	ROLL PIN, 1/2" X 2-1/2"
19	801245	CAT 3 UPPER HITCH PIN
20	O104-022	SPLIT PIN, 1/4" X 2-1/2"
21	N-8897	NUT, NYLOCK 1-1/8"-7



ITEM	PART NUMBER	DESCRIPTION
1	TA6400-6-8	3/8 MALE JIC-1/2 MALE O-RING
2	TS71-15P	QD COUPLR, (1/2") -08 ORB F, POPPET STYLE
3	TA7430-6-L12-18	3/8 MALE JIC- FEMALE L12-18 (METRIC)
4	10182006	LIFT CYL PILOT VALVE
5	TA6809-8-6	SAE M 1/2"- JIC F 3/8"
6	TA3800-6-6	3/8 MALE JIC-3/8-19 MALE BSPP
7	TA6500-6-6	3/8 MALE JIC - 3/8 FEM 90 DEG
8	804743	PLATE, VALVE SUPPORT
9	803628	SPACER TUBE, .5 X .33 X 1.47
10	804745	PLATE, BACKER
11	H-2555	BOLT, HEX, 5/16"-18 X 5-1/2" G5
12	N-1110	NUT, SER. FLANGE, 5/16"-18
13	HM-2855	HEX. BOLT, 8 X 55, G8.8
14	TA6801-6-8	3/8 MALE JIC - 1/2 FEM 90 O-RING
15	301135	CYL STOP, 1-1/2" ALUM SNAP
16	336-265	HYD VALVE, FLOW DIVIDER



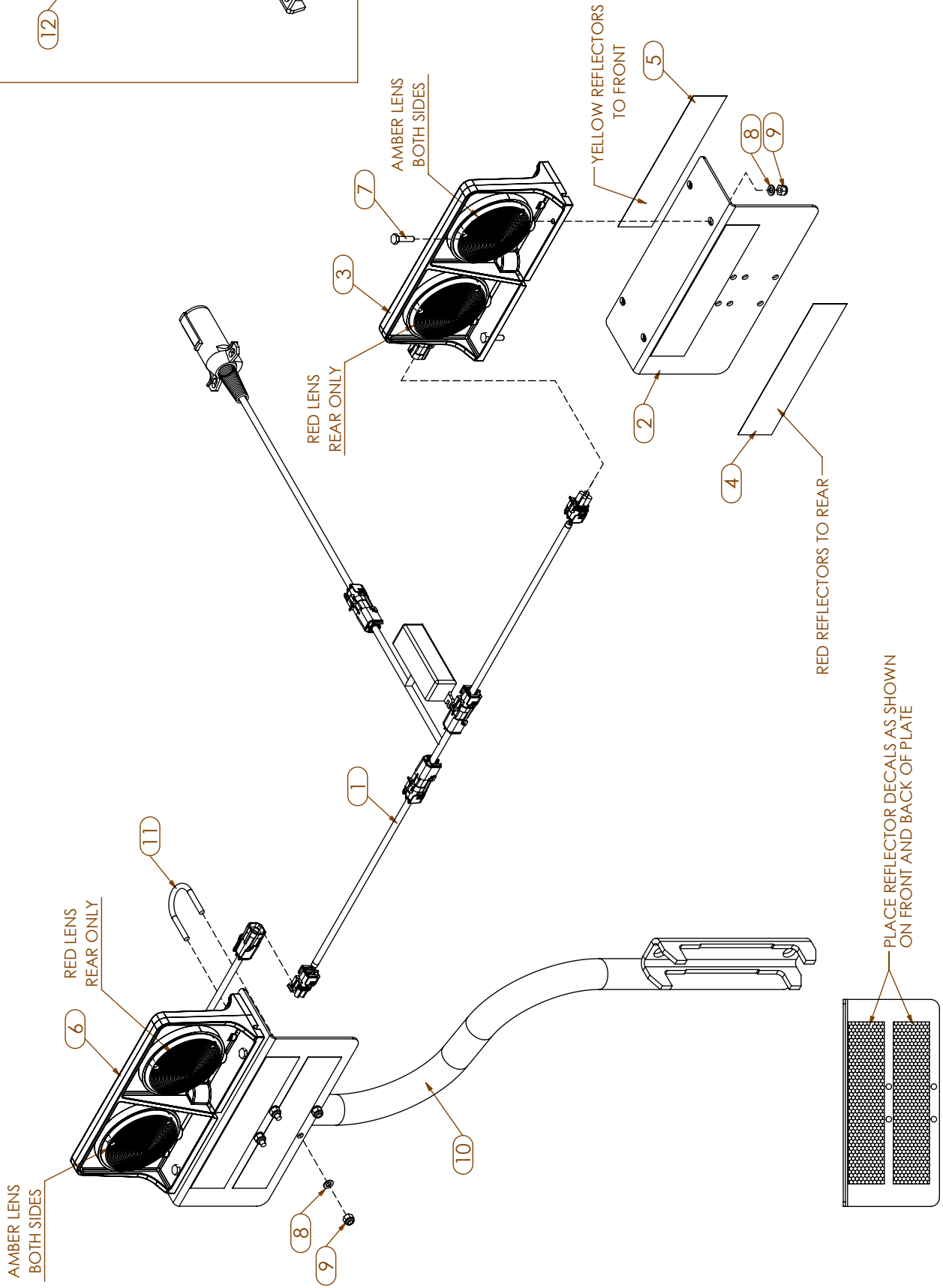
ITEM	PART NUMBER	DESCRIPTION
1	H-6651	BOLT, HEX, 3/4"-10 X 6-1/2" G8
2	N-6101	NUT, NYLOCK 3/4"-10 G8
3	4502.SS	U-BOLT, 5 X 5 X 5/8
4	N-5101	NUT, NYLOCK, 5/8"-11 G8
5	200979	5X5 WELDED TOOLBAR, ROLLER MOUNT
6	4530.2	HITCH
7	800376	PLATE HITCH TIEBACK
8	4535.2	LOWER HITCH PIN, CAT II
9	4587	BUSHING, 20 X 30 X 60
10	4531.1	LOWER 3 PT BRACKET L
11	4531.2	LOWER 3 PT BRACKET R
12	200357	OFFSET BRACKET 22IN
13	200356	OFFSET BRACKET JOGGED RIGHT 22IN
14	200355	OFFSET BRACKET JOGGED LEFT 22IN
15	801119	V-CLAMP, 5 X5, (2 HOLE)
16	800969	V-CLAMP, 5 X 5, (4-HOLE)
17	100482	ROLLER JACK ASM, R
18	K4100-02	JACK
19	200571	JACK BASE
20	200127	ROLLER CLAMP RIGHT
21	200130	SPACER BLOCK ROLLER BEARING
22	200129	ROLLER SHANK WA
23	803801	ROLLER 5" CLAMP, W PAINT
24	300946	1-7/16" ID BEARING ASM
25	H-4415	BOLT, HEX, 1/2"-13 X 4-1/2" G8
26	H-7601	BOLT, HEX, 1"-8 X 6" G8
27	H-3120	BOLT, HEX, 3/8"-16 X 1-1/2" G8
28	N-8001	NUT, HEX, 1"-8, G8
29	W-7610	WASHER, SPLIT, 1", G8
30	W-2610	WASHER, SPLIT, 3/8", G8

ITEM	PART NUMBER	DESCRIPTION
31	N-4001	NUT, HEX, 1/2"-13, G8
32	W-4610	WASHER, SPLIT, 1/2", G8
33	N-2001	NUT, HEX, 3/8"-16, G8
34	100483	ROLLER JACK ASM, L
35	803799	MS ROLLER, Ø13", 154" LENGTH W PAINT
36	803800	SHAPER RINGS, SET OF 2, W PAINT
37	4517	END CAP, 5 X 5
38	800464	END PLATE
39	800464.G	GASKET
40	H-4201	BOLT, HEX, 1/2"-13 X 2" G8
41	N-4101	NUT, NYLOCK 1/2"-13 G8
42	H-5401	BOLT, HEX, 5/8"-11 X 4" G5
43	W-6410	WASHER, FLAT, 3/4" SAE G8
44	H-6251	BOLT, HEX, 3/4"-10 X 2-1/2" G8
45	N-6401	NUT, FLANGE, 3/4"-10

PARTS LISTING

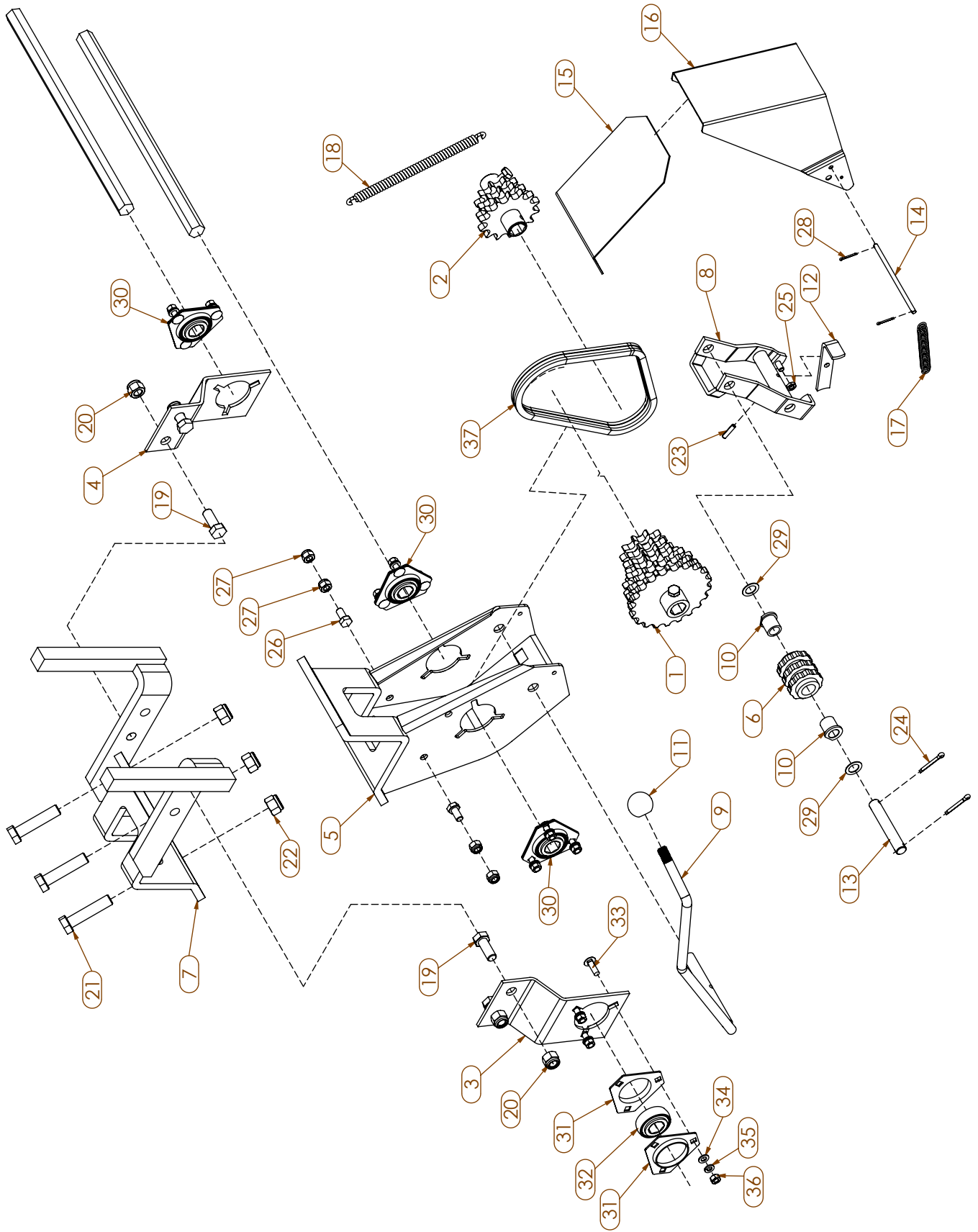
LIGHT KIT

ALTERNATE LIGHT BRACKETS AVAILABLE



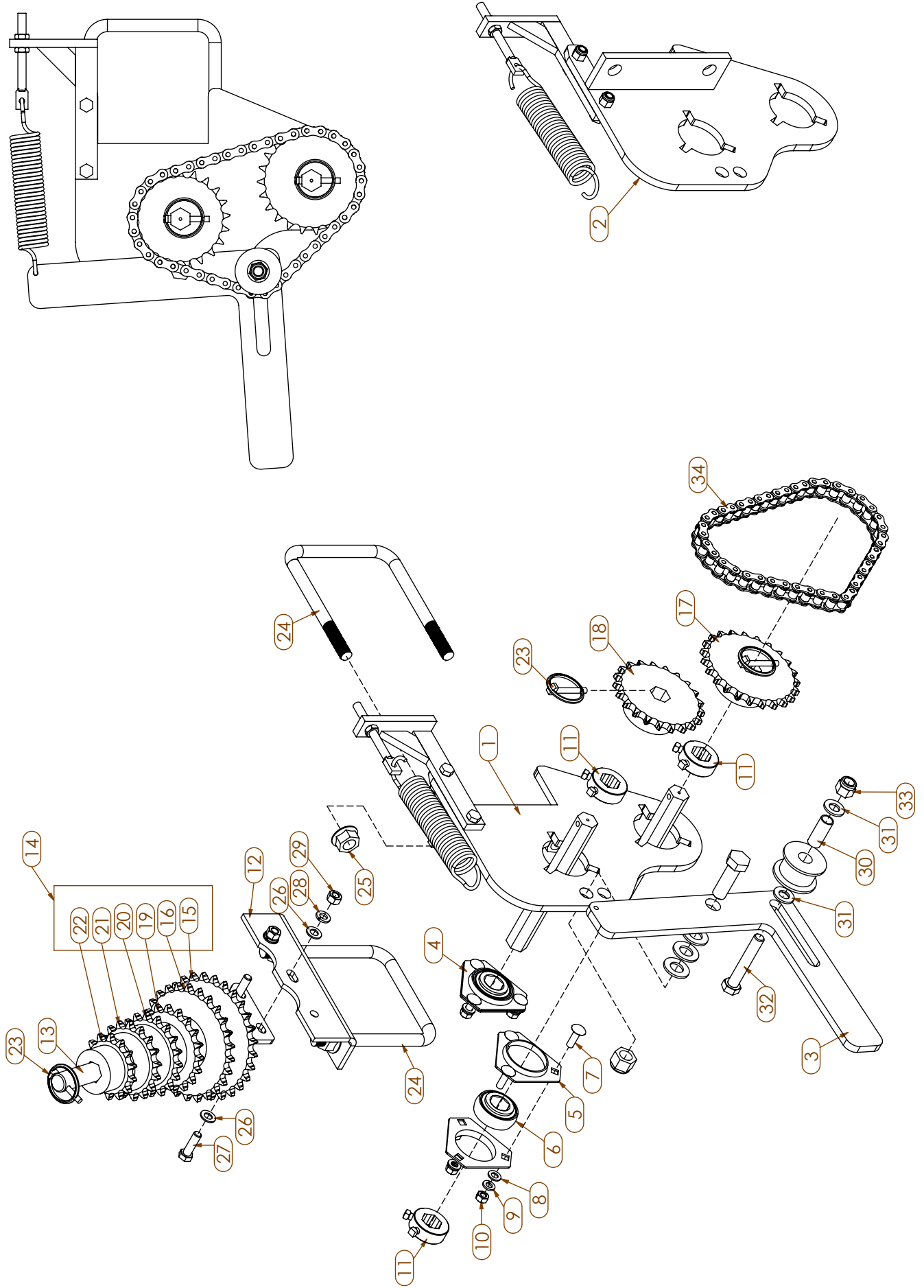
ITEM	PART NUMBER	DESCRIPTION
1	300118	HARNESS, ENHANCED LIGHT
2	800574	BRACKET
3	300094	LIGHT ASSEMBLY, RH
4	SMV2RS	RED 2 X 9 REEL, TAPE
5	SMV2YS	YELLOW 2X9" REF. TAPE
6	300093	LIGHT ASSEMBLY, LH
7	H-1000	BOLT, HEX, 1/4"-20 X 1" G5
8	W-0410	WASHER, FLAT, 1/4" SAE G8
9	N-0610	NUT, NYLOCK 1/4"-20
10	200486	LIGHT BRACKET L WA
	200487	LIGHT BRACKET R WA
11	300483	U-BOLT, 2.25 X 1/4"-20
12	200348	SMV LIGHT BRKT 5X5 - 24" TALL

WING HARNESS EXTENSIONS FOR HARNESS (ITEM 1)	
300120	HARNESS EXT, LIGHT KIT 4 FT
301227	HARNESS EXT, LIGHT KIT 14 FT
HITCH HARNESS EXTENSIONS FOR HARNESS (ITEM 1)	
300121	HARNESS EXT, LIGHT KIT 5 FT
300466	HARNESS EXT, LIGHT KIT 15 FT
300467	HARNESS EXT, LIGHT KIT 40 FT
300468	HARNESS EXT, LIGHT KIT 50 FT

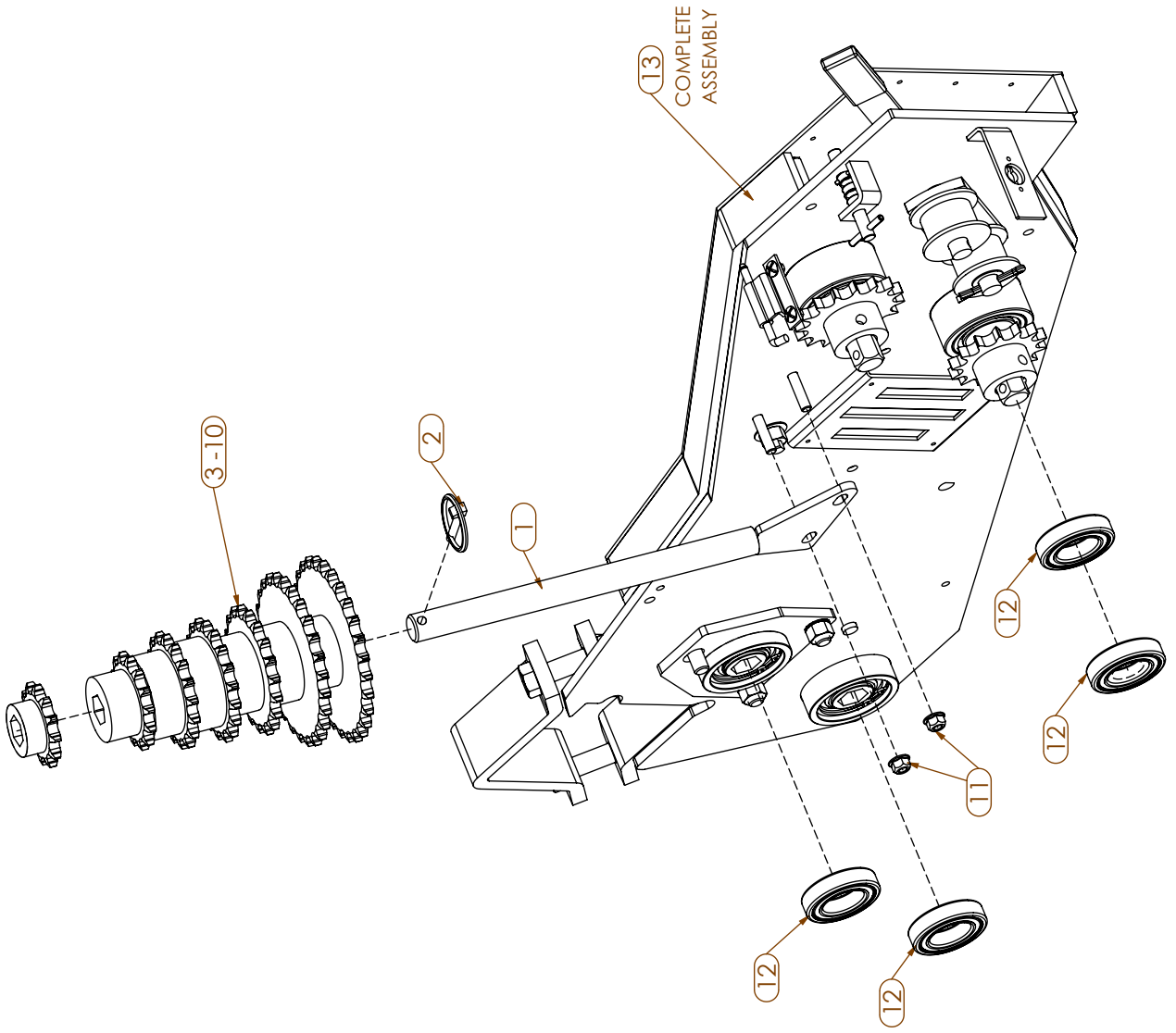


ITEM	PART NUMBER	DESCRIPTION
1	4326.4	UPPER SPROCKET CLUSTER (10-11-13-17-19-21 TOOTH)
2	4325.C	LOWER SPROCKET CLUSTER (10-12-14 TOOTH)
3	4522.1A	LEFT SUPPORT BRACKET (FOR HEX SHAFT)
4	4522.2A	RIGHT SUPPORT BRACKET (FOR HEX SHAFT)
5	4507.C	GEARBOX HOUSING
6	4511.B	CHAIN TIGHTENER ROLLER
7	4539.B	GEARBOX MOUNTING BRACKET WITH TURBOFAN STAND
8	4508.B	GEARBOX LEVER
9	4510.B	GEARBOX HANDLE
10	5021	SELF LUBRICATING BUSHING
11	4584	KNOB FOR HANDLE
12	4509.B	LEVER LOCK
13	4512.A	PIN
14	4537	PIN FOR GEARBOX DOOR
15	4621	SHIELD, GEARBOX
16	4519	GEARBOX DOOR
17	5501	SPRING [R125]
18	9147	SPRING, FOR TIGHTENING DRIVE CHAIN
19	HM-71435	HEX BOLT, 14 X 35, G8.8
20	NM-41205	NUT, NYLOCK, 14mm, G8.8
21	HM-81670	HEX BOLT, 16 X 70, G8.8
22	NM-51605	NUT, NYLOCK, 16mm, G8.8
23	10172090	ROLL PIN, 6 X 25mm
24	10170066	SPLIT PIN, 5 X 35 MM
25	NM-1810	NUT, HEX, JAM, 8mm, G8.8
26	HM-41020	HEX BOLT, 10 X 20, G8.8
27	NM-21015	NUT, NYLOCK, 10mm, G8.8
28	10170014	SPLIT PIN, 2.5 X 20mm
29	10622024	WASHER, FLAT, 16.5 X 26 X 1

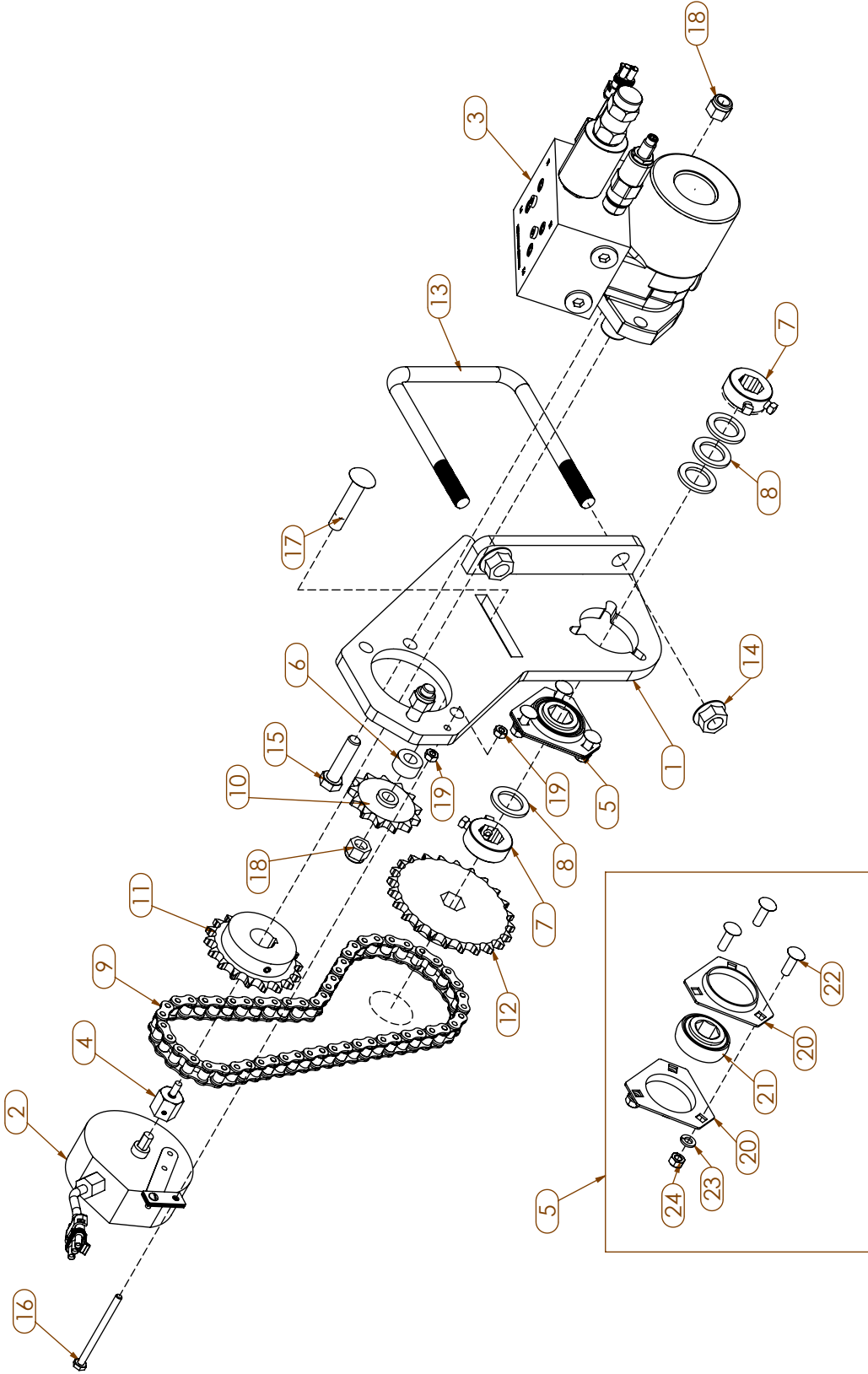
ITEM	PART NUMBER	DESCRIPTION
30	180039	BEARING, COMPLETE w/ FLANGE
31	300596	FLANGE
32	300597	BEARING, 7/8" HEX
33	CB-1110	BOLT, C ARR., 5/16"-18 X 1.00, G5
34	W-1410	WASHER, FLAT, 5/16" SAE G8
35	W-1610	WASHER, SPLIT, 5/16", G8
36	N-1001	NUT, HEX, 5/16"-18, G5
37	4327.A	CHAIN, 13N, 36 LINKS



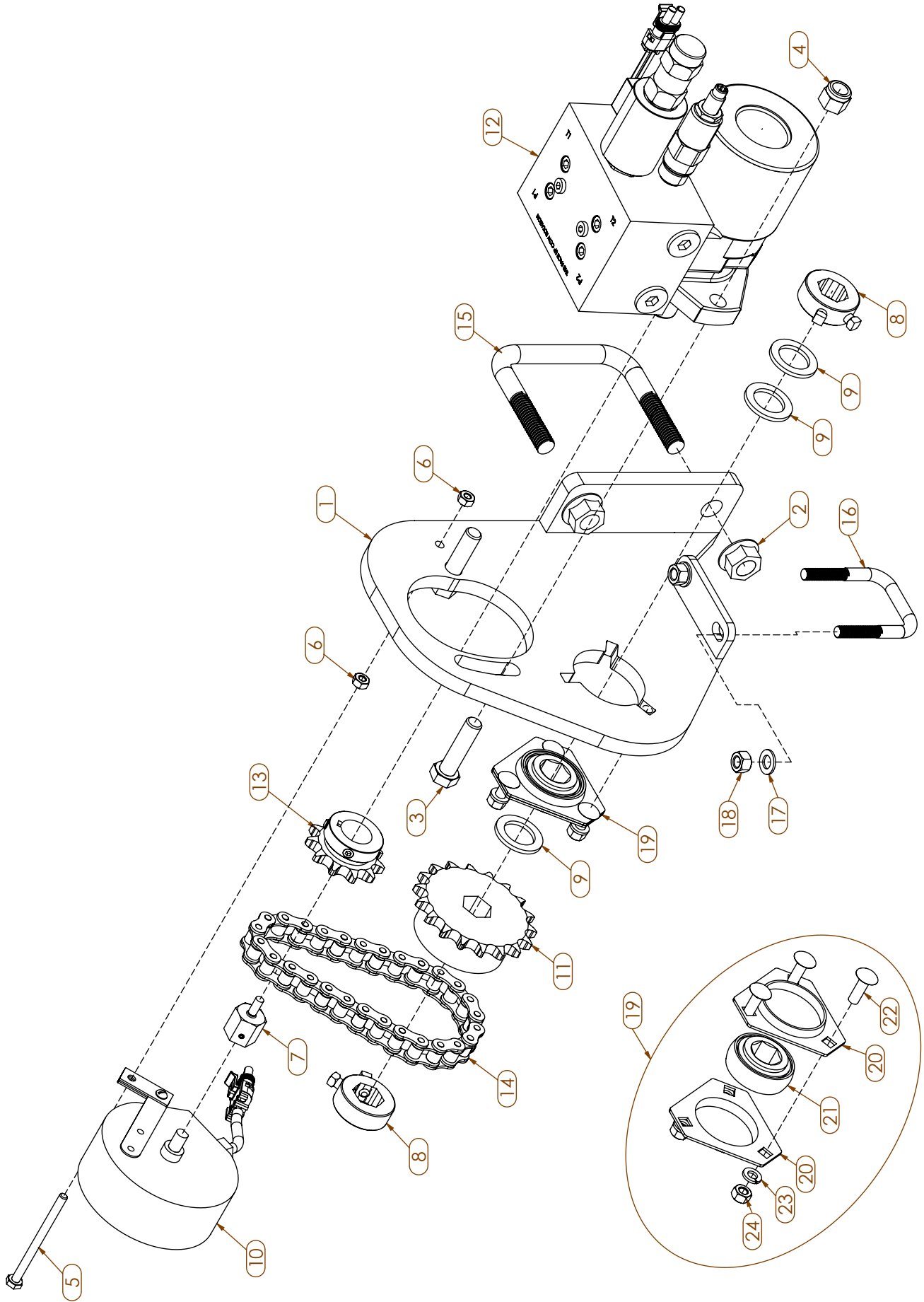
ITEM	PART NUMBER	DESCRIPTION
1	301328	TRANSMISSION, RIGHT, 5X5 SPOONER
2	301327	TRANSMISSION, LEFT, 5X5 SPOONER
3	804686	HANDLE, SPOONER TRANSMISSION
4	180039	BEARING, COMPLETE w/ FLANGE
5	300596	FLANGETTE
6	300597	BEARING, 7/8" HEX
7	CB-1110	BOLT, CARR., 5/16"-18 X 1.00, G5
8	W-1410	WASHER, FLAT, 5/16" SAE G8
9	W-1610	WASHER, SPLIT, 5/16", G8
10	N-1001	NUT, HEX, 5/16"-18, G5
11	100288	HEX STOP
12	E4002	TOP HEX SHAFT
13	800446	SPROCKET STACK HOLDER WA
14	G50BOX	50 CHAIN SPROCKETS
15	G50B28	SPROCKET, #50, 28T
16	G50B26	SPROCKET, #50, 26T
17	G50B24	SPROCKET, #50, 24T
18	G50B23	SPROCKET, #50, 23T
19	G50B19	SPROCKET, #50, 19T
20	G50B18	SPROCKET, #50, 18T
21	G50B17	SPROCKET, #50, 17T
22	G50B14	SPROCKET, #50, 14T
23	6077	LYNCH PIN, 6MM
24	4502.SS	U-BOLT, 5 X 5 X 5/8
25	N-5401	NUT, FLANGE, 5/8"-11
26	W-2410	WASHER, FLAT, 3/8" SAE G8
27	H-3104	BOLT, HEX, 3/8"-16 X 1-1/4"
28	W-2610	WASHER, SPLIT, 3/8", G8
29	N-2001	NUT, HEX, 3/8"-16, G8
30	E7523.1	BUSHING, .625 X .510 X 1.50
31	W-4410	WASHER, FLAT, 1/2" SAE G8
32	H-4301	BOLT, HEX, 1/2"-13 X 3" G5
33	N-4101	NUT, NYLOCK 1/2"-13 G8
34	301353	CHAIN, #50, 44 PITCH



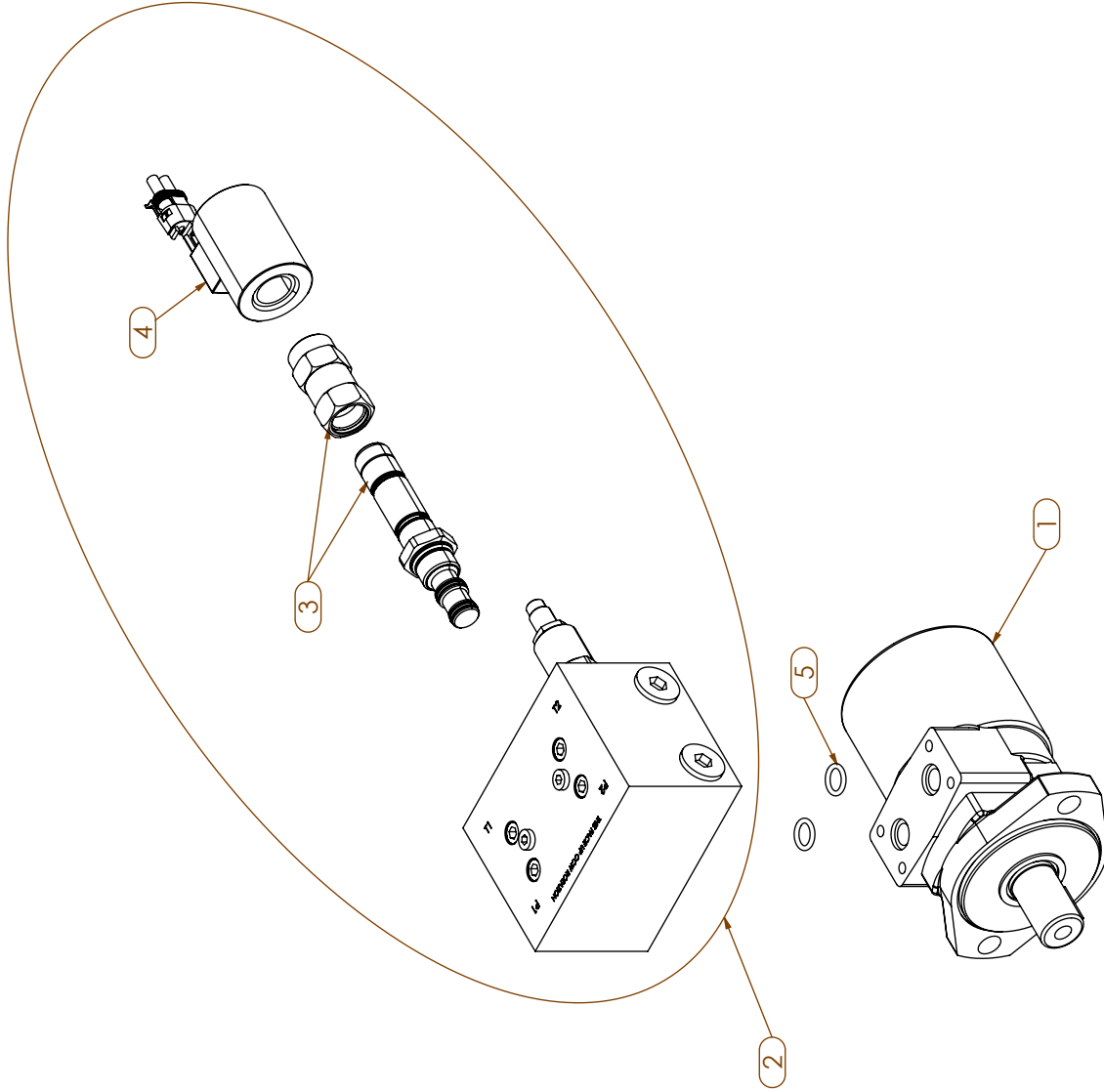
ITEM	PART NUMBER	DESCRIPTION
1	800446	SPROCKET STACK HOLDER WA
2	6077	LYNCH PIN, 6MM
3	G-50B26	SPROCKET, #50, 26T
4	G-50B24	SPROCKET, #50, 24T
5	G-50B23	SPROCKET, #50, 23T
6	G-50B19	SPROCKET, #50, 19T
7	G-50B18	SPROCKET, #50, 18T
8	G-50B17	SPROCKET, #50, 17T
9	G-50B14	SPROCKET, #50, 14T
10	G-50B12	SPROCKET, #50, 12T
11	NM-1815	NUT, SERR. FLANGE, 8mm
12	4048	BEARING 6007.2RS
13	100851	TRANSMISSION, MS NARROW, 5X5, ASSY



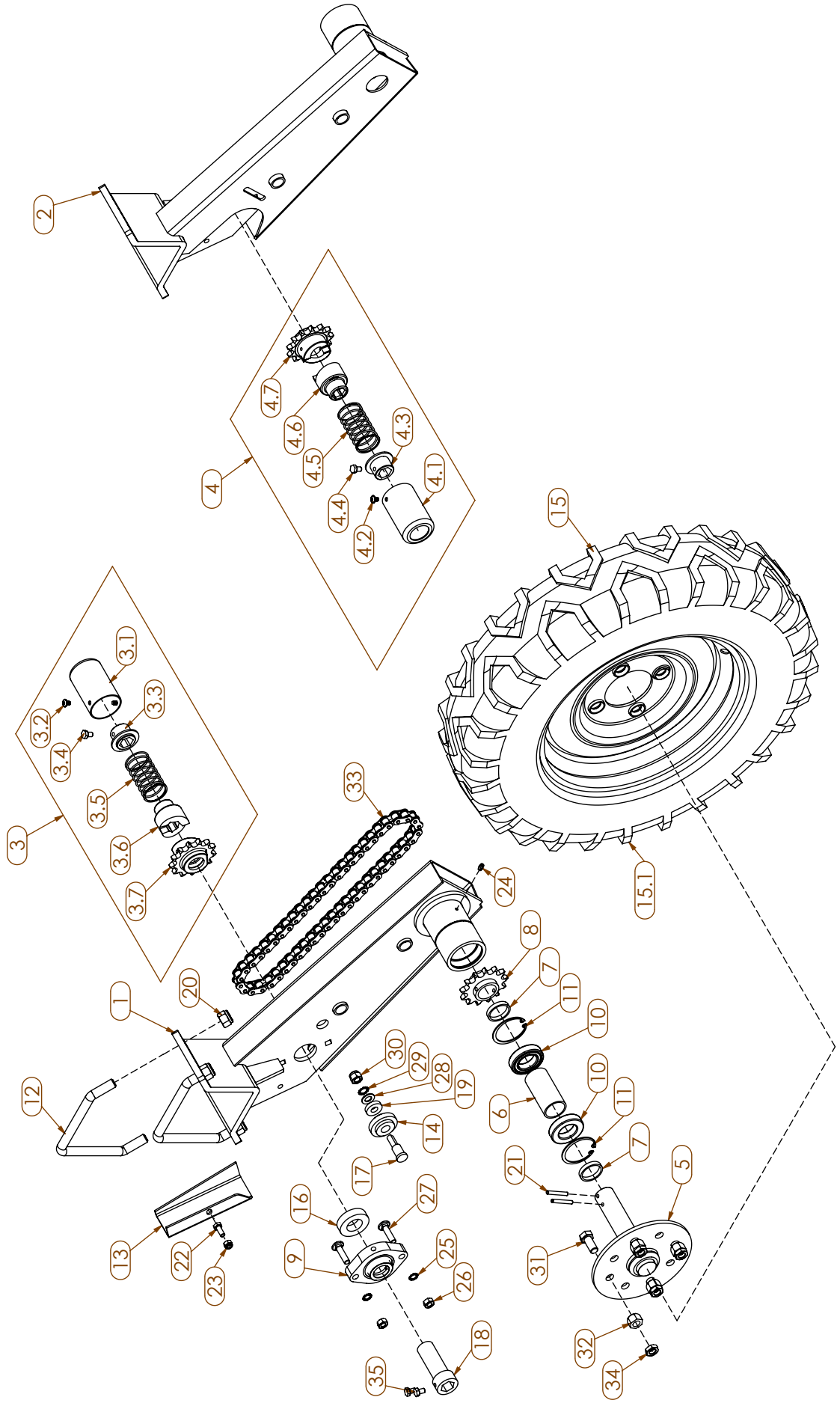
ITEM	PART NUMBER	DESCRIPTION
1	201158	5X5 METER DRIVE MOTOR MNT WA
2	INT1410	RATE SENSOR, 1' CABLE
3	INT1925	HYDRAULIC MOTOR
4	100263	COUPLER ASM, DJ APT RATE SENSOR
5	180039	BEARING, COMPLETE w/ FLANGE
6	802203	BUSHING 1" X .531" X .563" L
7	100288	HEX STOP
8	K10233	BUSHING, 1.50 X 1.00 X .125
9	300486	CHAIN, #50, 56P, HYD. DR. STD.
10	G5013E	SPROCKET, #50, 13T, 1/2" BO
11	G50BS18	SPROCKET, #50, 18T
12	G50B24	SPROCKET, #50, 24T
13	4502.SS	U-BOLT, 5 X 5 X 5/8
14	N-5401	NUT, FLANGE, 5/8"-11
15	H-4201	BOLT, HEX, 1/2"-13 X 2" G8
16	H-1350	BOLT, HEX, 1/4"-20 X 3-1/2" G5
17	CB-4425	BOLT, CARR., 1/2"-13 X 2.50, G5
18	N-4101	NUT, NYLOCK 1/2"-13 G8
19	N-0601	NUT, HEX, 1/4-20, G8
20	300596	FLANGETTE
21	300597	BEARING, 7/8" HEX
22	CB-1110	BOLT, CARR., 5/16"-18 X 1.00, G5
23	W-1610	WASHER, SPLIT, 5/16", G8
24	N-1001	NUT, HEX, 5/16"-18, G5



ITEM	PART NUMBER	DESCRIPTION
1	201071	HYDRAULIC MOTOR MNT WA
2	N-5401	NUT, FLANGE, 5/8"-11
3	H-4201	BOLT, HEX, 1/2"-13 X 2" G8
4	N-4101	NUT, NYLOCK 1/2"-13 G8
5	H-1350	BOLT, HEX, 1/4"-20 X 3-1/2" G5
6	N-0601	NUT, HEX, 1/4"-20, G8
7	100263	COUPLER ASM, DJ APT RATE SENSOR
8	100288	HEX STOP
9	K10233	BUSHING, 1.50 X 1.00 X .125
10	INT1410	RATE SENSOR, 1' CABLE
11	G50B18	SPROCKET, #50, 18T
12	INT1925	HYDRAULIC MOTOR
13	G50BS11	SPROCKET, 1"ID, 11T #50
14	301051	CHAIN #50, 28 PITCHES
15	300822	U-BOLT, 4 X 2 X 5/8"-11
16	300823	U-BOLT, 2" X 2" X 3/8"
17	W-2410	WASHER, FLAT, 3/8" SAE G8
18	N-2001	NUT, HEX, 3/8"-16, G8
19	180039	BEARING, COMPLETE w/ FLANGE
20	300596	FLANGETTE
21	300597	BEARING, 7/8" HEX
22	CB-1110	BOLT, CARR., 5/16"-18 X 1.00, G5
23	W-1610	WASHER, SPLIT, 5/16", G8
24	N-1001	NUT, HEX, 5/16"-18, G5



ITEM	PART NUMBER	DESCRIPTION
1	INT1931	MOTOR, HYD, 5.0 CUBIC INCH
2	INT1932	HYDRAULIC DRIVE, VALVE BLOCK ASM
3	300422	VALVE, PROPORTIONAL
4	300421	SOLENOID COIL
5	300688	O-RING, 3/32 - 112

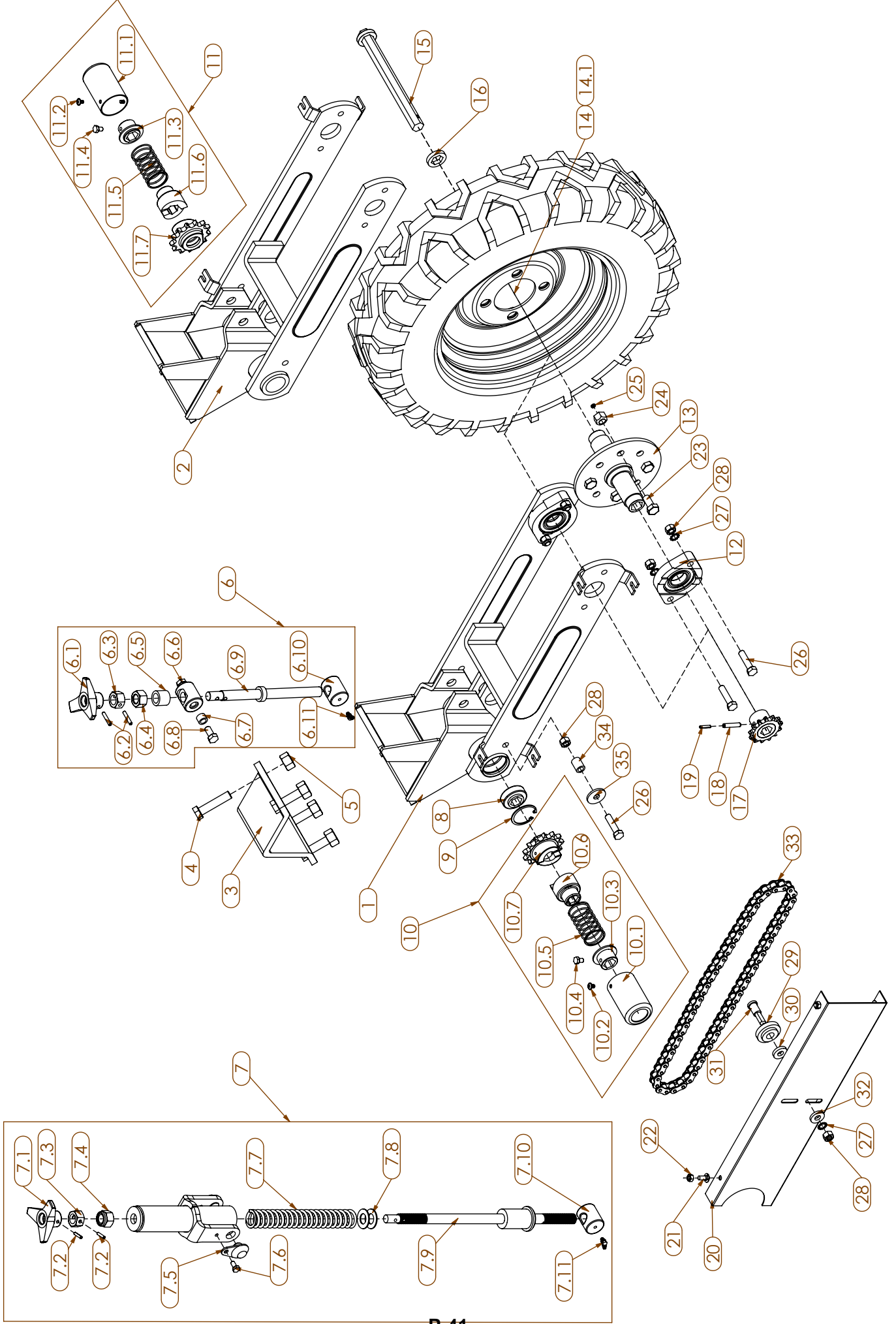


ITEM	PART NUMBER	DESCRIPTION
1	4505.1D	WHEEL HOUSING L
2	4505.2D	WHEEL HOUSING R
3	4467.G	HEX SHAFT SLIP CLUTCH LH
3.1	4313	SLIP CLUTCH PROTECTION TUBE
3.2	10590084	SCREW, FLANGED BUTTION HEAD, M6 X 10
3.3	4312.A	BUSHING & SPRING STOP
3.4	HM-2812	HEX BOLT, 8 X 12 G8.8
3.5	4311	SPRING SLIP CLUTCH
3.6	4310.1A	CLAW, SLIPCLUTCH, LH
3.7	4309.1B	SPROCKET, 13T, LH
4	4467.D	HEX SHAFT SLIP CLUTCH RH
4.1	4313	SLIP CLUTCH PROTECTION TUBE
4.2	10590084	SCREW, FLANGED BUTTION HEAD, M6 X 10
4.3	4312.A	BUSHING & SPRING STOP
4.4	HM-2812	HEX BOLT, 8 X 12 G8.8
4.5	4311	SPRING SLIP CLUTCH
4.6	4310.2A	CLAW, SLIPCLUTCH, RH
4.7	4309.2B	SPROCKET, 13T, RH
5	4308	HUB DRIVE WHEEL
6	4526	INSIDE SPACER
7	4527	OUTSIDE SPACER
8	4306.A	SPROCKET, 13T
9	4514	PILLOW BLOCK w/ BEARING
10	4525	BEARING (60072RS)
11	4661	SNAP RING, INTERNAL, 62MM
12	4501	V-BOLT, 5X5, M16
13	4518.1	FRONT GUARD L
14	4319	IDLER
15	900015.1	WHEEL w/ RIM, 5.90 X 15 TIRE
15.1	G170106152	TIRE, 5.90 x 15 STANDARD
16	4529	BUSHING, 30 X 35 X 14.25
17	4320	BOLT, CHAIN TENSIONER, 12MM
18	4528	CLUTCH SLEEVE

ITEM	PART NUMBER	DESCRIPTION
19	10621056	WASHER, 30 X 13 X 6 MM
20	NM-51605	NUT, NYLOCK, 16mm, G8.8
21	10172094	ROLL PIN, 6 X 45mm
22	HM-2820	HEX BOLT, 8 X 20, G8.8
23	NM-1812	NUT, NYLOCK, 8mm, G8.8
24	10118	GREASE ZERK, 6mm
25	10629011	WASHER, ET LOCK, 10mm
26	NM-21011	NUT, HEX, 10mm, G8.8
27	CBM-31040	CARR. BOLT, 10 X 40mm, Cl8.8
28	10621032	WASHER, FLAT, 13 X 24 X 2
29	10629013	WASHER, ET LOCK, 12mm
30	NM-31205	NUT, NYLOCK, 12mm, G8.8
31	HM-71430	HEX BOLT, 14 X 30, G8.8
32	1277.3	LUG NUT, 14 MM
33	4307.B	CHAIN, 13N, 52P W/CONN
34	NM-41210	NUT, HEX, JAM, 14mm, G8.8
35	HM-2812	HEX BOLT, 8 X 12 G8.8

5X5 DRIVE WHEEL BLOCK, ADJUSTABLE

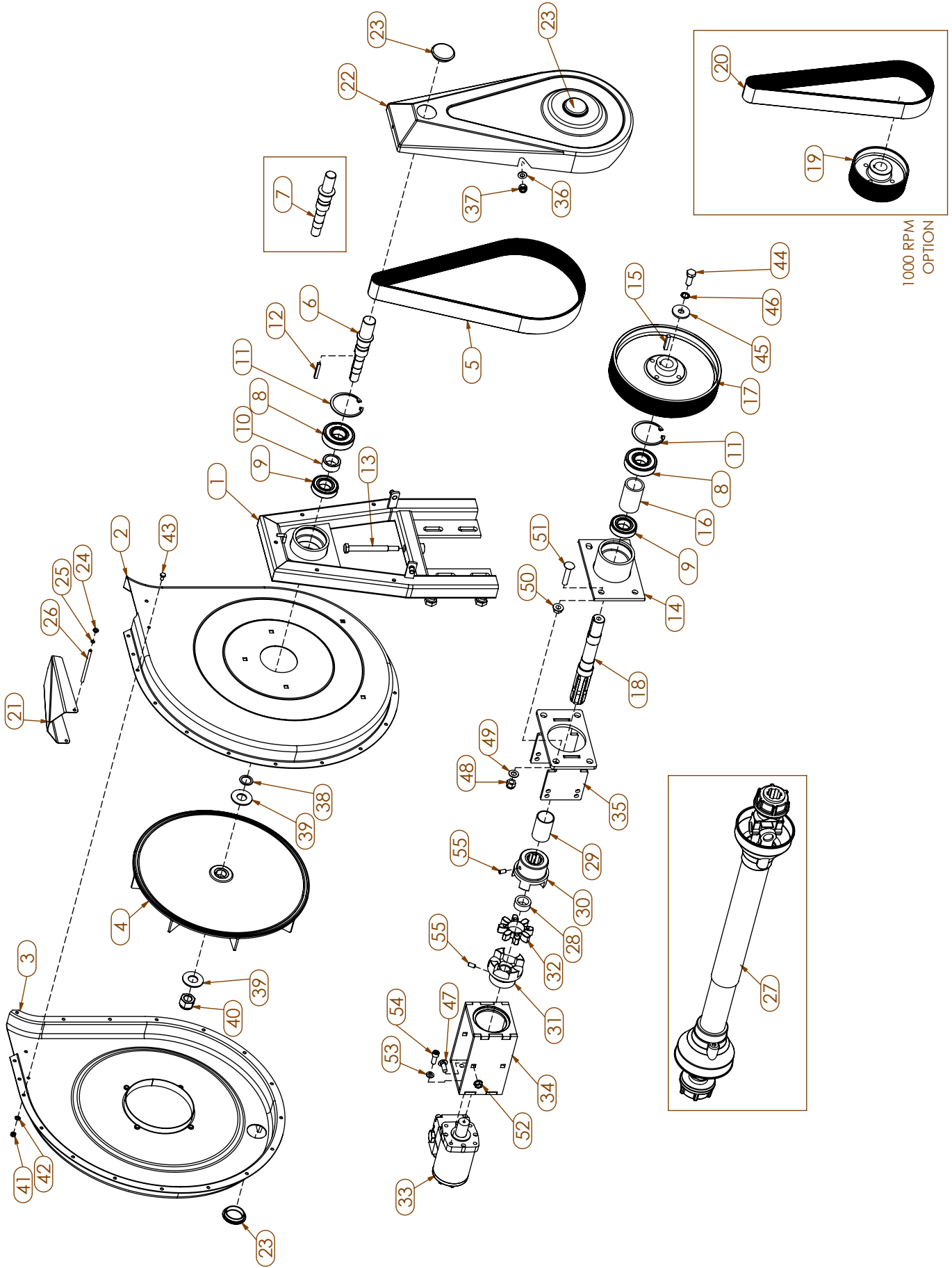
PARTS LISTING



P-41

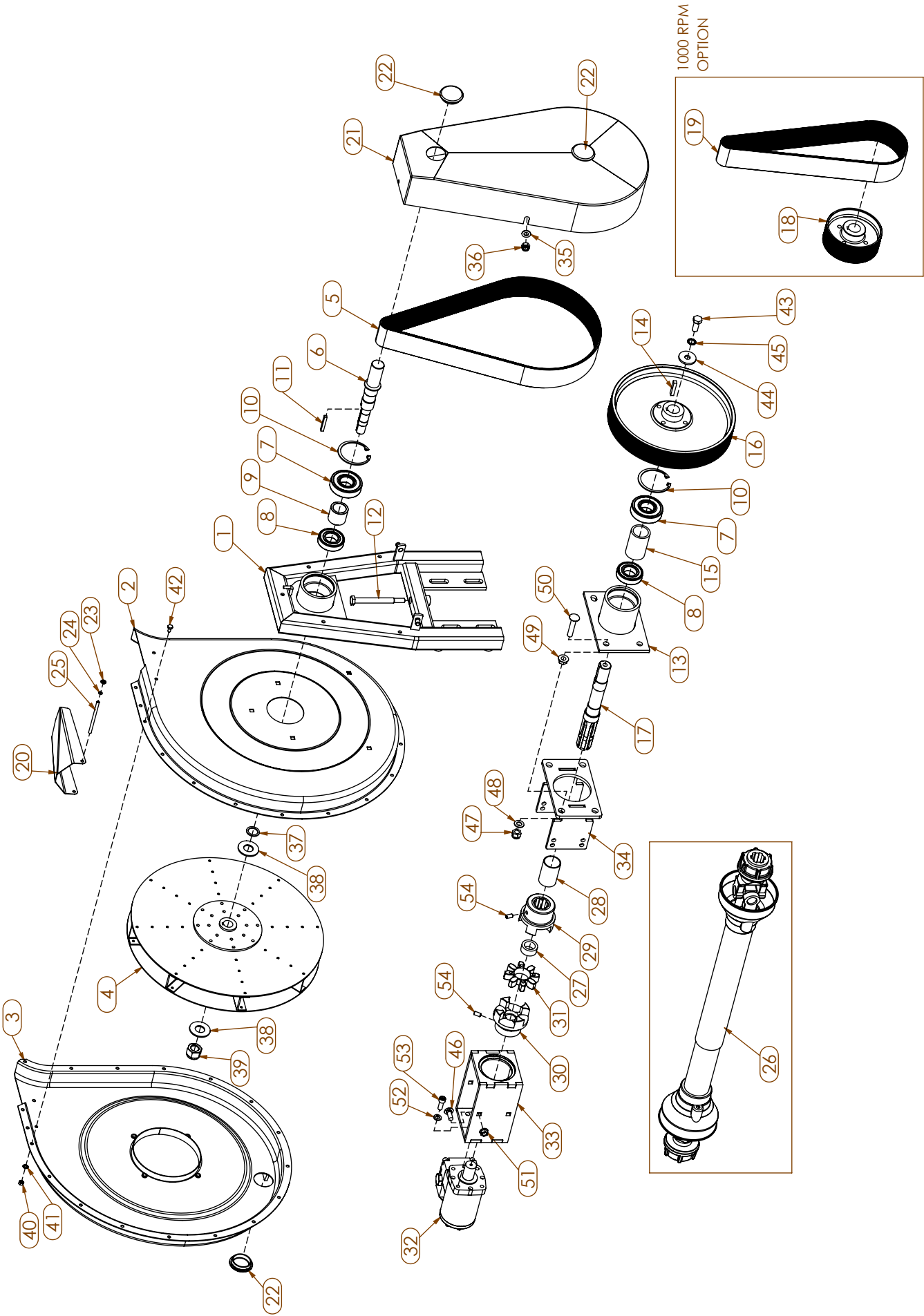
ITEM	PART NUMBER	DESCRIPTION
1	4710.2B	5X5, ADJUSTABLE WHL BLCK, RH
2	4710.1B	5X5, ADJUSTABLE WHL BLCK, LH
3	1534.A	CLAMP, 5 X 5
4	HM-81670	HEX. BOLT, 16 X 70, G8.8
5	NM-72001	NUT, HEX, 20mm, G8.8
6	653611	ADJUSTMENT SCREW ASSY
6.1	7083	KNOB
6.2	10172092	ROLL PIN, 6X35
6.3	4728	HEX NUT, 20MM W/6MM HOLE
6.4	NM-72001	NUT, HEX, 20mm, G8.8
6.5	4711	SPACER BUSHING
6.6	4717	PIVOT PIN
6.7	20019052	BUSHING, 12 ID X 18.5 OD X 13 L
6.8	HM-61225	HEX, BOLT, 12 X 25, G8.8
6.9	4714	ADJUSTING THREADED ROD
6.10	4715	PIVOT PIN
6.11	10118.A	GREASE ZERK, 45°, 6MM
7	650610	SCREW ADJUSTMENT, SPRING LOADED
7.1	7083	KNOB
7.2	301090	ROLL PIN, 5 X 24MM
7.3	4728	HEX NUT, 20MM W/6MM HOLE
7.4	NM-72005	NUT, NYLOCK, 20mm, G8.8
7.5	66005779	PIN, TRUNNION
7.6	HM-2816	HEX, BOLT, 8 X 16, G8.8
7.7	5666.2	SPRING
7.8	10623028	WASHER, 21 X 40 X 2 MM
7.9	4726	THREADED ROD, SPRING LOADED
7.10	4715	PIVOT PIN
7.11	10118.A	GREASE ZERK, 45°, 6MM
8	4659	BEARING, (205KRR2)
9	4660	SNAP RING, INTERNAL, 52MM
10	4467.D	HEX SHAFT SLIP CLUTCH RH
10.1	4313	SLIP CLUTCH PROTECTION TUBE
10.2	10590084	SCREW, FLANGED BUTTON HEAD, M6 X 10
10.3	4312.A	BUSHING & SPRING STOP
10.4	HM-2812	HEX, BOLT, 8 X 12 G8.8

ITEM	PART NUMBER	DESCRIPTION
10.5	4311	SPRING, SLIP CLUTCH
10.6	4310.2A	CLAW, SLIPCLUTCH, RH
10.7	4309.2B	SPROCKET, 13T, RH
11	4467.G	HEX SHAFT SLIP CLUTCH LH
11.1	4313	SLIP CLUTCH PROTECTION TUBE
11.2	10590084	SCREW, FLANGED BUTTON HEAD, M6 X 10
11.3	4312.A	BUSHING & SPRING STOP
11.4	HM-2812	HEX, BOLT, 8 X 12 G8.8
11.5	4311	SPRING, SLIP CLUTCH
11.6	4310.1A	CLAW, SLIPCLUTCH, LH
11.7	4309.1B	SPROCKET, 13T, LH
12	4655	BEARING AND FLANGE
13	4653	HUB
14	900015.1	WHEEL w/ RIM, 5.90 X 15 TIRE
14.1	G170106152	TIRE, 5.90 x 15 STANDARD
15	4654	SPINDLE, HEX
16	4716	SPACER
17	4656.A	SPROCKET, HEX BORE, 13T
18	10173020	ROLL PIN, 8 X 40
19	301090	ROLL PIN, 5 X 24MM
20	4658.A	ADJUSTABLE DRIVE WHEEL SHIELD
21	10561053	CARRIAGE BOLT, 8 X 18MM
22	NM-1801	NUT, HEX, 8mm, G8.8
23	1277	BOLT, HEX 14 X 30 MM
24	1277.3	LUG NUT, 14 MM
25	NM-0501	NUT, HEX, JAM, 5mm, G8.8
26	HM-61250	HEX, BOLT, 12 X 50, G10.9
27	10629013	WASHER, ET LOCK, 12mm
28	NM-31201	NUT, HEX, 12mm, G8.8
29	4319	IDLER
30	10621056	WASHER, FLAT, 13 X 30 X 6
31	4320	BOLT, CHAIN TENSIONER, 12MM
32	10621055	WASHER, FLAT, 13 X 30 X 5
33	4657.A	CHAIN, 12BR/#60, 66P, W/ CL
34	9658	BUSHING, 12 ID X 18 OD X 25 L
35	10621061	WASHER, FLAT, 13 X 40 X 4



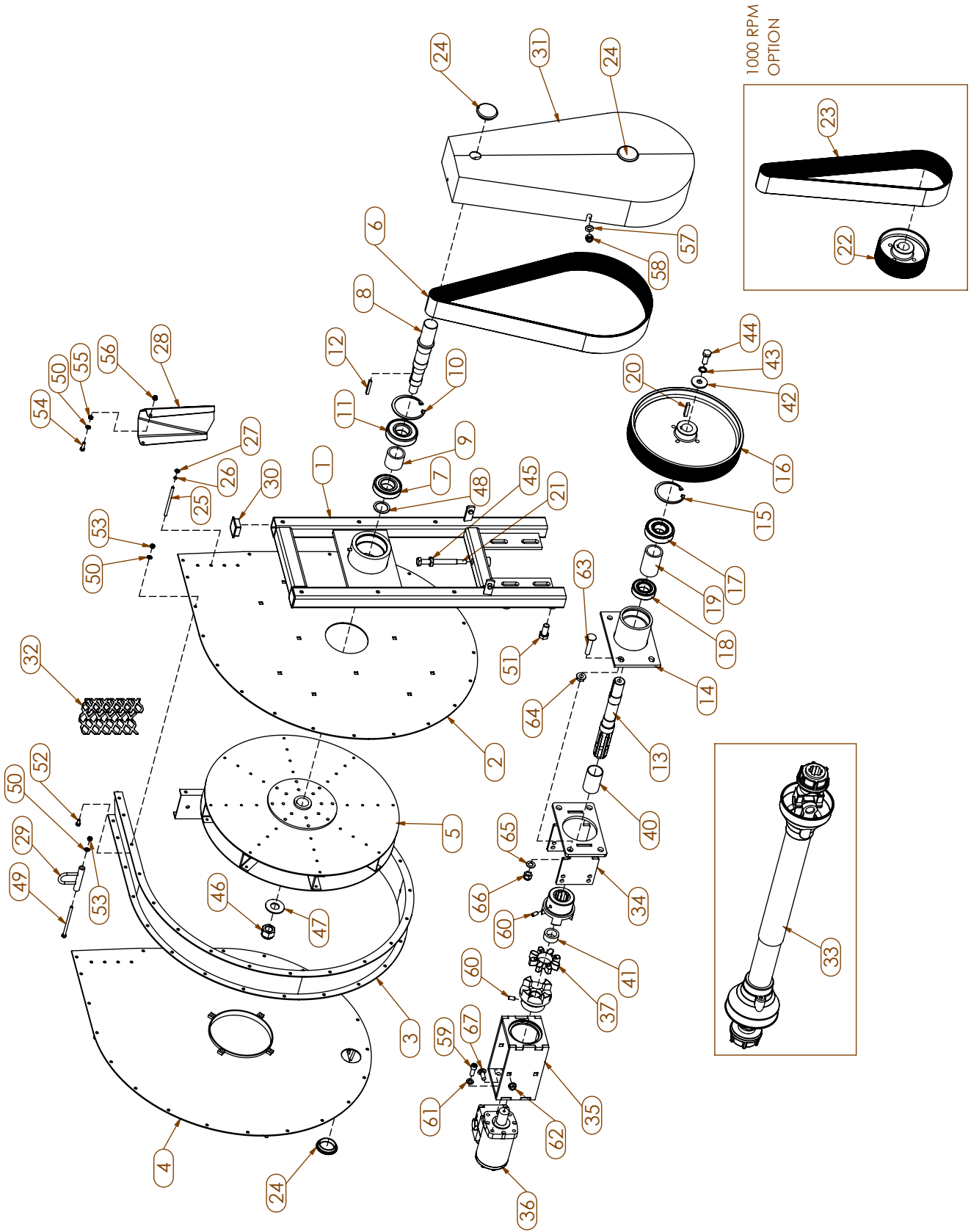
ITEM	PART NUMBER	DESCRIPTION
1	4400.1	SUPPORT FRAME
2	4401.B	FAN HOUSING, (SUPPORT FRAME SIDE)
3	4402.B	FAN HOUSING MANIFOLD SIDE
4	4403.B	FAN BLADE, PLASTIC (16 1/8" DIA.)
5	4413	BELT, STD TURBO 450 & 540 RPM
6	4452	UPPER SHAFT, 540 & 1000 RPM (1 1/8" DIA.)
7	4452.1	UPPER SHAFT 450 RPM (7/8" DIA.)
8	4408	BEARING 72mm
9	4407	BEARING 62mm
10	4410.A	SPACER BUSHING
11	4409	SNAPRING, INTERNAL (72mm)
12	4439.A	KEY FOR UPPER SHAFT (6X6X45mm)
13	4440	BOLT, BELT TENSION ADJUSTMENT
14	4404	SHAFT HOUSING
15	4437	KEY, 8 X 7 X 40mm)
16	4411	SPACER BUSHING (LOWER SHAFT)
17	4412.2	PULLEY, 450 & 540 RPM
18	4405.A	LOWER SHAFT(W/1 3/8" 6 SPLINE ADAPTER)
19	4412.3	LOWER PULLEY, 1000 RPM 19 GROOVES (150mm)
20	4413.1	BELT, STD TURBO 1000 RPM
21	4429.A	OUTLET SHIELD
22	4414.1	COVER SHIELD
23	300571	PLUG, MINI HOPPER
24	6090	STOP SNAP RING, 6mm
25	6089	RUBBER RING
26	4455	TURBOFAN VALVE PIN
27	4428.B	PTO SHAFT, 540 RPM, 24"
28	800436	SPIDER RING
29	5039	COUPLING SPACER, 61MM LONG
30	5040	COUPLING, TURBOFAN END, 6 SPLINE
31	5042	COUPLING, MOTOR SIDE, 1" KEYED
32	5041	ELASTIC SHOCK ABSORBER
33	FTA0232-1	STD TURBO MOTOR
34	200161	BRACKET WA WITH MACHINING
35	200266	MOTOR MOUNT END WA

ITEM	PART NUMBER	DESCRIPTION
36	10620089	WASHER, FLAT, 10.5 X 20 X 2
37	NM-21015	NUT, NYLOCK, 10mm, G8.8
38	10623043	WASHER, FLAT, 22.5 X 48 X 4
39	10623042	WASHER, FLAT, 22.5 X 48 X 3
40	NM-72005	NUT, NYLOCK, 20mm, G8.8
41	NM-0601	NUT, HEX, 6mm, G8.8
42	10629007	WASHER, ET LOCK, 6mm
43	HM-0612	HEX, BOLT, 6 X 12, G8.8
44	HM-61230	HEX, BOLT, 12 X 30, G8.8
45	10621061	WASHER, FLAT, 13 X 40 X 4
46	10629013	WASHER, ET LOCK, 12mm
47	CB-2210	BOLT, CARR., 3/8"-16 X 1", G5
48	N-3101	NUT, NYLOCK 7/16"-14 G5
49	W-3410	WASHER, FLAT, 7/16"SAE G8
50	N-3103	NUT, SER. FLANGE, 7/16"-14
51	CB-3323	BOLT, CARR., 7/16"-14 X 2.25, G5
52	N-2301	NUT, SER. FLANGE, 3/8"-16
53	W-2610	WASHER, SPLIT, 3/8", G8
54	F23305	SCREW, SHC, 3/8"-16 X 1
55	10591915	SET SCREW, SH, 8 X 16



ITEM	PART NUMBER	DESCRIPTION
1	4400.1A	SUPPORT FRAME
2	4401.B	FAN HOUSING, (SUPPORT FRAME SIDE)
3	4402.C	FAN HOUSING, (MANIFOLD SIDE)
4	4403.D	FAN BLADE (ALUMINUM, 17 3/4" DIA)
5	4413.B	BELT, 500 RPM 25 GROOVES (1244J25)
6	4452.B	UPPER SHAFT (1 1/8" DIA PULLEY)
7	4408	BEARING 72mm
8	4407	BEARING 62mm
9	4410	SPACER, UPPER SHAFT, HI OUTPUT
10	4409	SNAPRING, INTERNAL (72mm)
11	4439.A	KEY FOR UPPER SHAFT (6X6X45mm)
12	4440	BOLT, BELT TENSION ADJUSTMENT
13	4404.A	SHAFT HOUSING (LOWER DRIVE SHAFT)
14	4437	KEY, 8 X 7 X 40mm)
15	4411	SPACER BUSHING (LOWER SHAFT)
16	4412.B	LOWER PULLEY, 540/500 RPM 25 GROOVES, (290mm)
17	4405.A	LOWER SHAFT(W/1 3/8" 6 SPLINE ADAPTER)
18	4412.1B	LOWER PULLEY, 1000 RPM 25 GROOVES (150mm)
19	4413.1B	BELT, 1000 RPM 25 GROOVES (991J25)
20	4429.A	OUTLET SHIELD
21	4414.3	COVER SHIELD, HO FAN
22	300571	PLUG, MINI HOPPER
23	6090	STOP SNAP RING, 6mm
24	6089	RUBBER RING
25	4455	TURBOFAN VALVE PIN
26	4428.B	PTO SHAFT, 540 RPM, 24"
27	800436	SPIDER RING
28	5039	COUPLING SPACER, 61MM LONG
29	5040	COUPLING, TURBOFAN END, 6 SPLINE
30	5042	COUPLING, MOTOR SIDE, 1" KEYED
31	5041	ELASTIC SHOCK ABSORBER
32	FTA0425	TURBO MOTOR W BLOCK - 4.5 CI
33	200161	BRACKET WA WITH MACHINING
34	200266	MOTOR MOUNT END WA

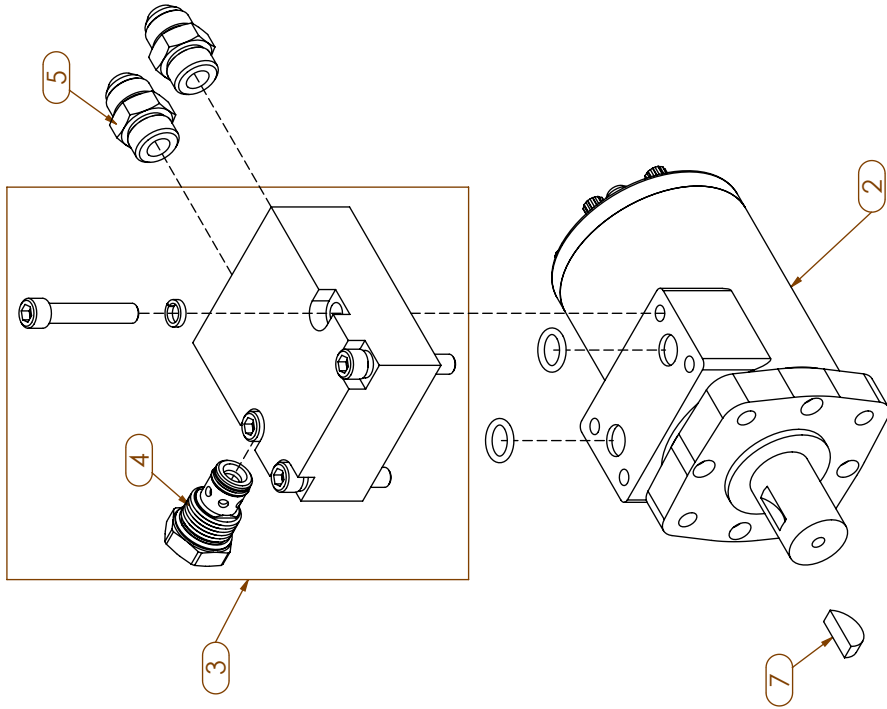
ITEM	PART NUMBER	DESCRIPTION
35	10620089	WASHER, FLAT, 10.5 X 20 X 2
36	NM-21015	NUT, NYLOCK, 10mm, G8.8
37	10623043	WASHER, FLAT, 22.5 X 48 X 4
38	10623042	WASHER, FLAT, 22.5 X 48 X 3
39	NM-72005	NUT, NYLOCK, 20mm, G8.8
40	NM-0601	NUT, HEX, 6mm, G8.8
41	10629007	WASHER, ET LOCK, 6mm
42	HM-0612	HEX, BOLT, 6 X 12, G8.8
43	HM-61230	HEX, BOLT, 12 X 30, G8.8
44	10621061	WASHER, FLAT, 13 X 40 X 4
45	10629013	WASHER, ET LOCK, 12mm
46	CB-2210	BOLT, CARR., 3/8"-16 X 1", G5
47	N-3101	NUT, NYLOCK 7/16"-14 G5
48	W-3410	WASHER, FLAT, 7/16"SAE G8
49	N-3103	NUT, SER. FLANGE, 7/16"-14
50	CB-3323	BOLT, CARR., 7/16"-14 X 2.25, G5
51	N-2301	NUT, SER. FLANGE, 3/8"-16
52	W-2610	WASHER, SPLIT, 3/8", G8
53	F23305	SCREW, SHC, 3/8"-16 X 1
54	10591915	SET SCREW, SH, 8 X 16



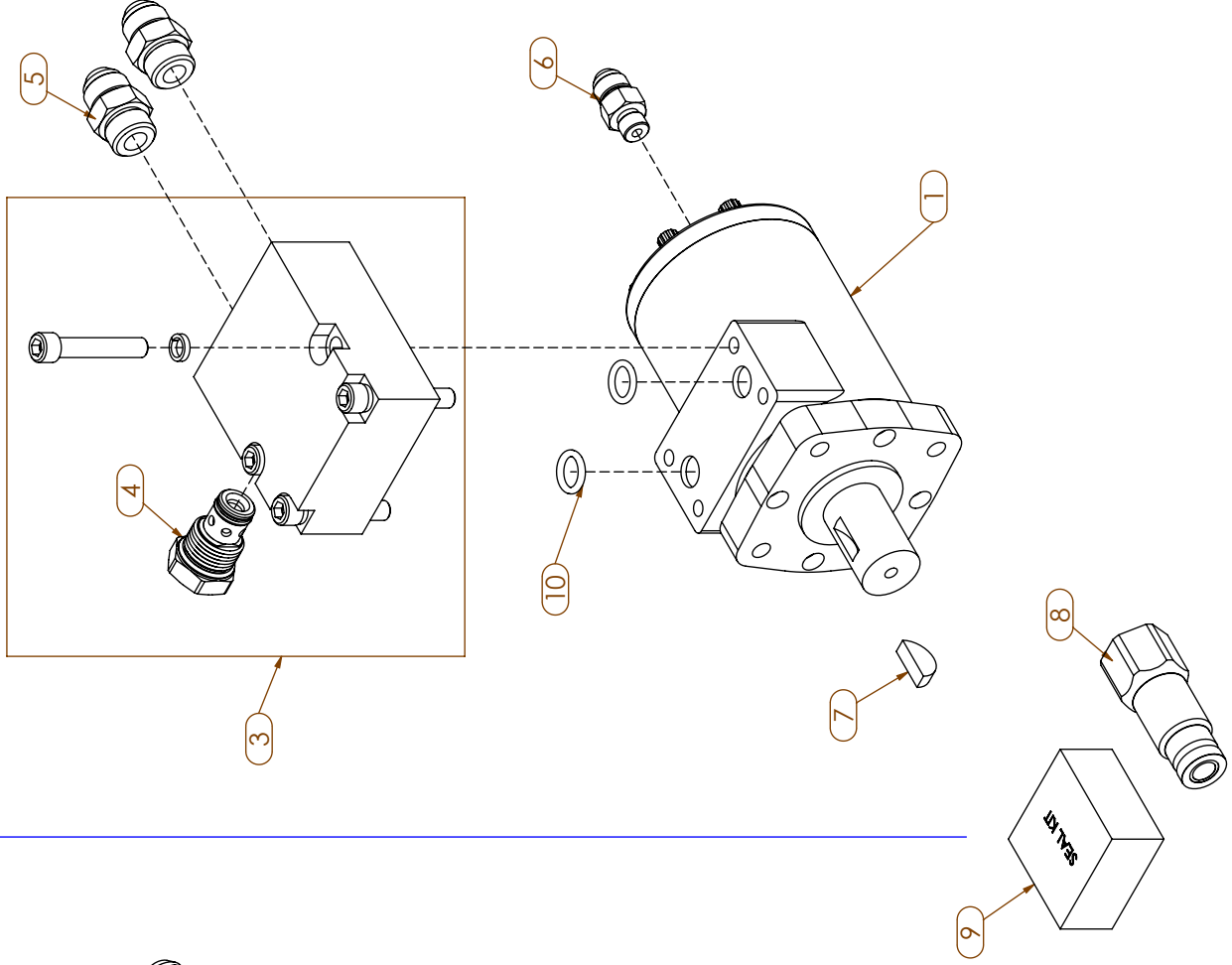
ITEM	PART NUMBER	DESCRIPTION
1	4240	SUPPORT FRAME
2	4241	FAN HOUSING (SUPPORT FRAME SIDE)
3	4243	FAN HOUSING SIDEWALL
4	4242	FAN HOUSING (MANIFOLD SIDE)
5	4244.CO	FAN BLADE, ALUMINIUM 19 5/8" DIA.
6	4249.2	BELT, 540 RPM 25 GROOVES (1335J25)
7	4251	BEARING UPPER SHAFT (62072RS1)
8	4248.1	UPPER SHAFT, 25 GROOVES (35mm O.D.)
9	4247	SPACER BUSHING (UPPER SHAFT)
10	4246	SNAPRING, INTERNAL (80mm)
11	4252	BEARING UPPER SHAFT (63072RS1)
12	4439.A	KEY FOR UPPER SHAFT (6X6X45mm)
13	4405.A	LOWER SHAFT(W/1 3/8" 6 SPLINE ADAPTER)
14	4404.A	SHAFT HOUSING (LOWER DRIVE SHAFT)
15	4409	SNAPRING, INTERNAL (72mm)
16	4412.B	LOWER PULLEY, 540/500 RPM 25 GROOVES, (290mm)
17	4408	BEARING 72mm
18	4407	BEARING 62mm
19	4411	SPACER BUSHING (LOWER SHAFT)
20	4437	KEY, 8 X 7 X 40mm
21	4440	BOLT, BELT TENSION ADJUSTMENT
22	4412.1B	LOWER PULLEY, 1000 RPM 25 GROOVES (150mm)
23	4249.3	BELT, 1000 RPM 25 GROOVES
24	300571	PLUG, MINI HOPPER
25	4455	TURBOFAN VALVE PIN
26	6089	RUBBER RING
27	6090	STOP SNAP RING, 6mm
28	4429.A	OUTLET SHIELD
29	4253	SUPPORT EYE
30	9525	END CAP
31	4250	COVER SHIELD, XHO TURBO FAN
32	4254	SCREEN
33	4428.B	PTO SHAFT, 540 RPM, 24"
34	200266	MOTOR MOUNT END WA
35	200161	BRACKET WA WITH MACHINING
36	FTA0425	TURBO MOTOR W BLOCK - 4.5 CI

ITEM	PART NUMBER	DESCRIPTION
37	5041	ELASTIC SHOCK ABSORBER
38	5042	COUPLING, MOTOR SIDE, 1" KEYED
39	5040	COUPLING, TURBOFAN END, 6 SPLINE
40	5039	COUPLING SPACER, 61MM LONG
41	800436	SPIDER RING
42	10621061	WASHER, FLAT, 13 X 40 X 4
43	10629013	WASHER, ET LOCK, 12mm
44	HM-61230	HEX, BOLT, 12 X 30, G8.8
45	NM-41210	NUT, HEX, JAM, 14mm, G8.8
46	NM-72005	NUT, NYLOCK, 20mm, G8.8
47	10623042	WASHER, FLAT, 22.5 X 48 X 3
48	10624016	WASHER, FLAT, 31 X 41 X 2
49	HM-16100	HEX, BOLT, 6 X 100, G10.9
50	10629007	WASHER, ET LOCK, 6mm
51	HM-71430	HEX, BOLT, 14 X 30, G8.8
52	HM-0612	HEX, BOLT, 6 X 12, G8.8
53	NM-0601	NUT, HEX, 6mm, G8.8
54	HM-0620	HEX, BOLT, 6 X 20, G8.8
55	NM-0610	NUT, HEX, JAM, 6mm, G8.8
56	NM-0605	NUT, NYLOCK, 6mm, G8.8
57	10620089	WASHER, FLAT, 10.5 X 20 X 2
58	NM-21015	NUT, NYLOCK, 10mm, G8.8
59	F23305	SCREW, SHC, 3/8"-16 X 1
60	10591915	SET SCREW, SH, 8 X 16
61	W-2610	WASHER, SPLIT, 3/8", G8
62	N-2301	NUT, SER. FLANGE, 3/8"-16
63	CB-3323	BOLT, CARR., 7/16"-14 X 2.25, G5
64	N-3103	NUT, SER. FLANGE, 7/16"-14
65	W-3410	WASHER, FLAT, 7/16"SAE G8
66	N-3101	NUT, NYLOCK 7/16"-14 G5
67	CB-2210	BOLT, CARR., 3/8"-16 X 1", G5

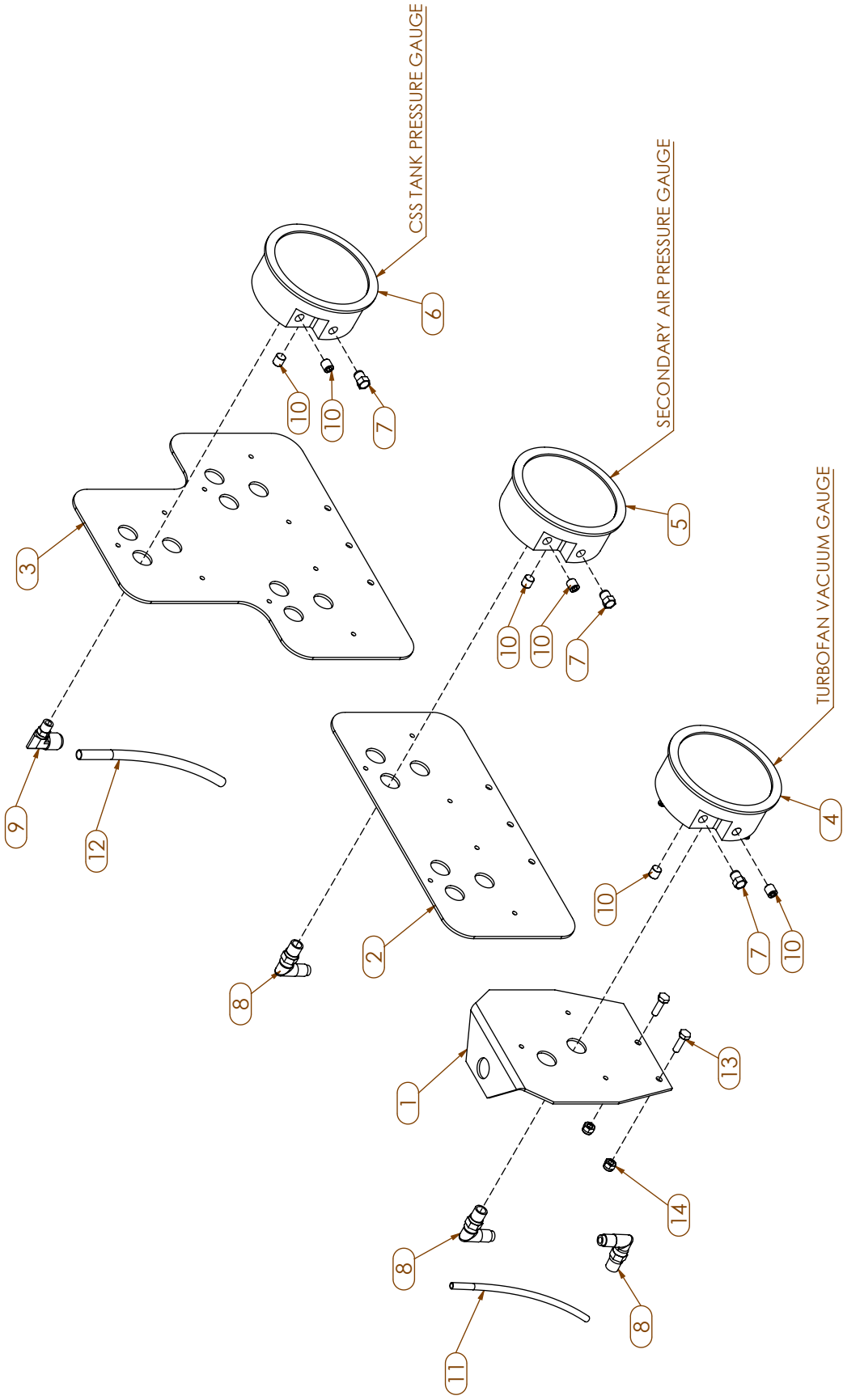
STANDARD TURBOFAN HYDRAULIC MOTOR
2.8 CUBIC INCH DISPLACEMENT



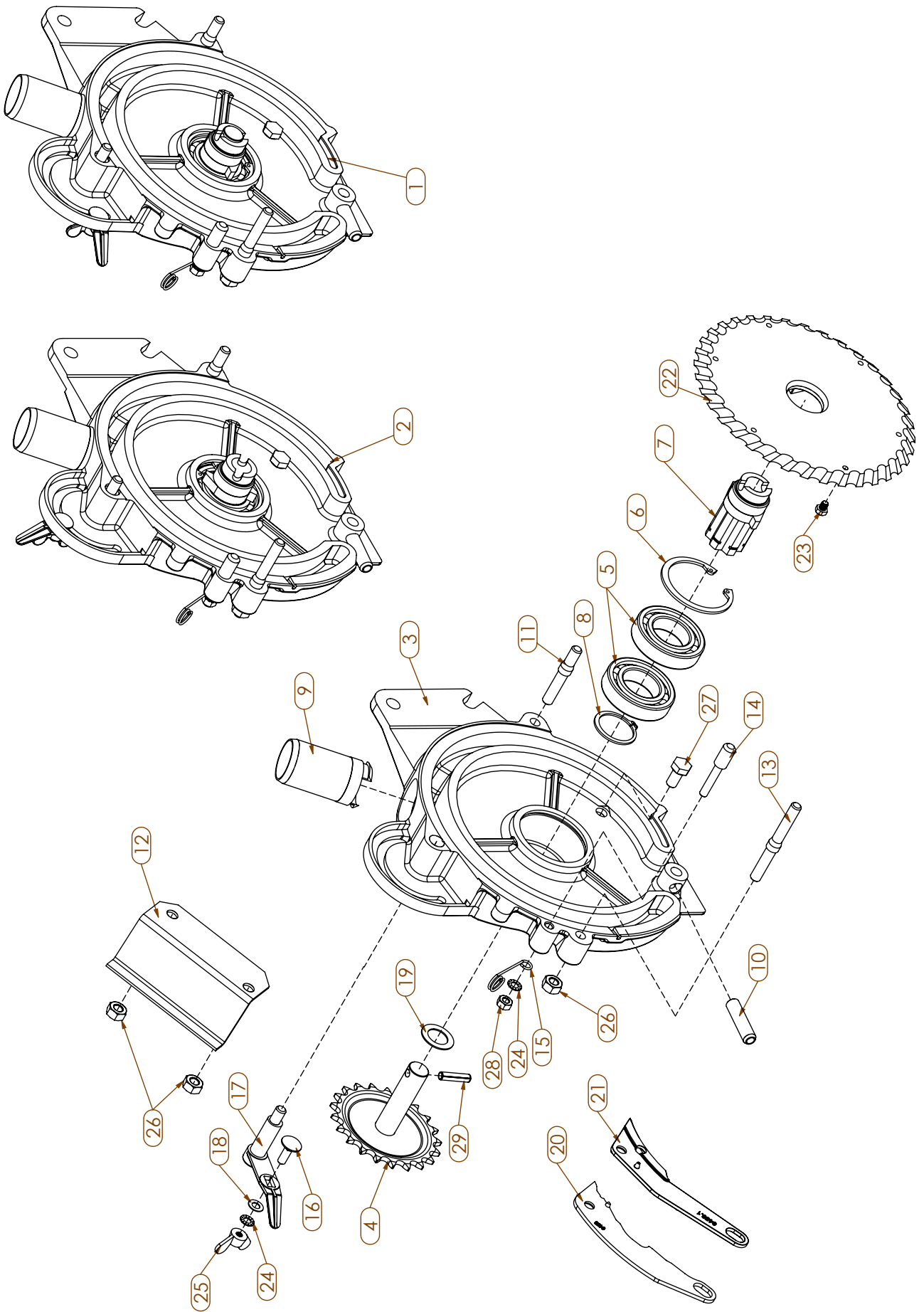
HIGH OUTPUT & EXTRA HIGH OUTPUT TURBOFAN HYDRAULIC MOTOR
4.5 CUBIC INCH DISPLACEMENT



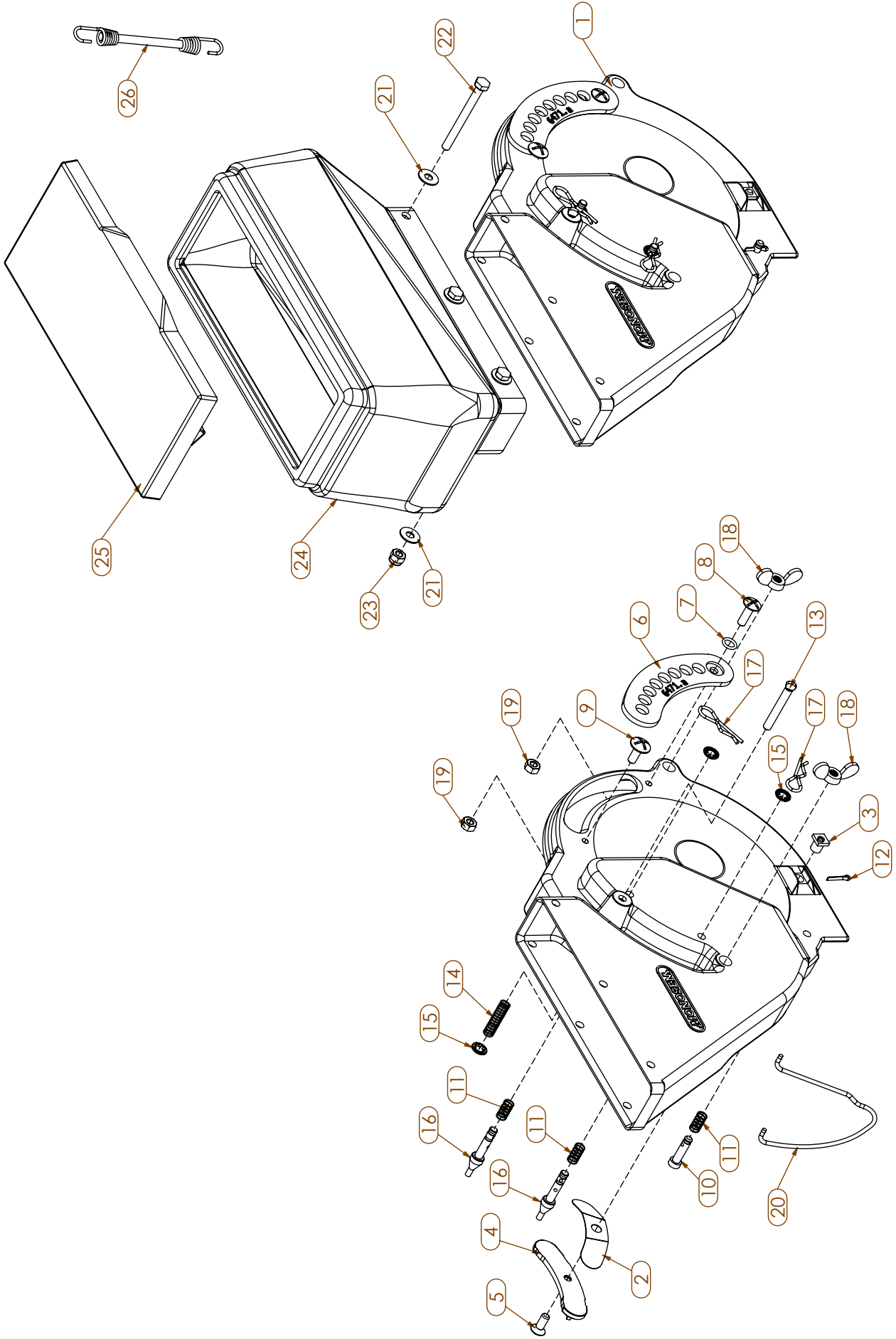
ITEM	PART NUMBER	DESCRIPTION
1	300982	HYD MOTOR W/ CASE DRAIN - 4.5 CI
2	300977	HYD MOTOR W/ CASE DRAIN- 2.8 CI
3	FP10270-2	BYPASS BLOCK W/ HARDWARE
4	900022	CHECK VALVE CARTRIDGE
5	TA6400-8-8	1/2 MALE JIC-1/2 MALE O-RING
6	TA6400-6-4	3/8 MALE JIC - 1/4 MALE O-RING
7	F14193	WOODRUFF KEY, 1/4" X 1"
8	301044	HYD QD - CASE DRAIN W/RELIEF
9	F60540	SEAL KIT, TURBOFAN MOTOR
10	300688	O-RING, 3/32 - 112



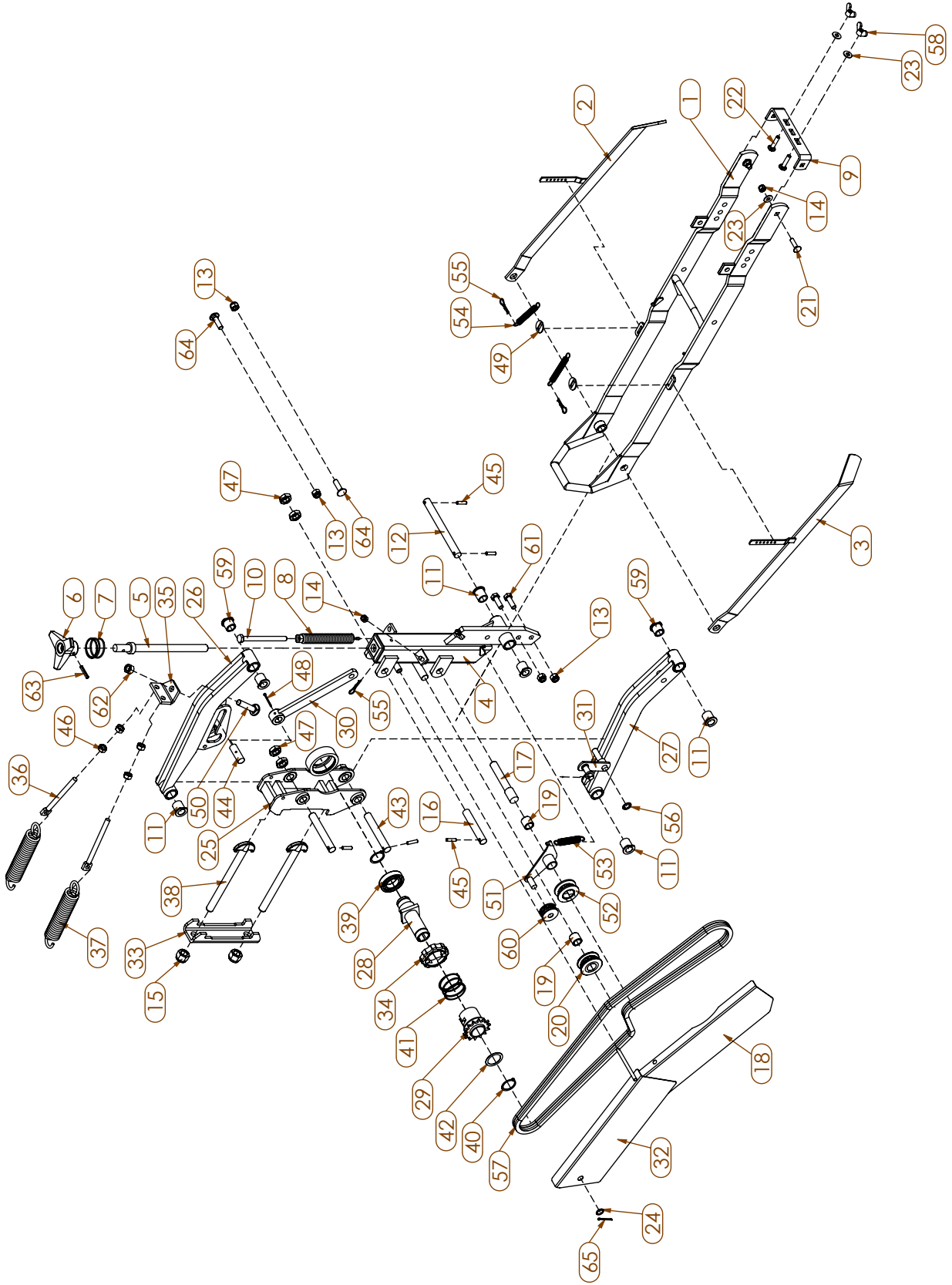
ITEM	PART NUMBER	DESCRIPTION
1	M30050070	MOUNTING BRACKET
2	800187	DOUBLE GAUGE PANEL
3	800148	TRIPLE GAUGE PANEL
4	D2040	VACUUM GAUGE
5	900389	PRESSURE GAUGE, 0-6 OZ/SQ IN.
6	301094	PRESSURE GAUGE, CSS 0-20 OZ/SQ. IN.
7	D200108-00	FILTER VENT PLUG
8	T279PP-4-2	1/4-1/8 POLYPUSH SWIVEL 90
9	T279PP-6-2	3/8-1/8 POLYPUSH SWIVEL 90
10	A-330	PLUG, 1/8" NPT
11	JPT04	TUBING 1/4"
12	JPT06	TUBING 3/8"
13	HM-0620	HEX. BOLT, 6 X 20, G8.8
14	NM-0605	NUT, NYLOCK, 6mm, G8.8



ITEM	PART NUMBER	DESCRIPTION
1	6450.ACO	MS METER BOX, COMPLETE
2	6450.1CO	FRONT MS-D METER, COMPLETE
3	6450.A	MS METER HOUSING, BARE
4	6462	SPROCKET, 5R, 21T
5	11579	BEARING (30x55x13)
6	11580	SNAP RING (i55)
7	6455.A	SHAFT, MS METER
8	300600	SNAP RING 30mm
9	6448	MS VAC INLET CONNECTOR
10	6459	SECONDARY AIR INLET
11	6457	METER BOX ALIGNMENT PIN
12	6489	CHAIN GUARD HOLDER
13	6456	MS COVER SHAFT, REAR
14	6216	PIN, FIXED FOR SINGULATOR
15	10159064	SPRING, HOSE HOLDER, MS
16	10560194	BOLT, CARR, M6 X 20MM
17	6454	SINGULATOR ADJ. HANDLE
18	10620008	WASHER, FLAT, 6.5 X 12 X 0.6mm
19	30622024	WASHER, FLAT, 16.5 X 26 X 1mm
20	6453	SELECTOR
21	6453.1	SELECTOR, 2 ROW HOLES
22	6452.A	AGITATOR
23	6222	HEX BOLT, M5 X 6
24	10629007	WASHER, EXTERNAL LOCK, 6mm
25	6461	WING NUT, M6
26	NM-1801	NUT, HEX, 8mm, G8.8
27	HM-2816	HEX, BOLT, 8 X 16, G8.8
28	NM-0601	NUT, HEX, 6mm, G8.8
29	10172090	ROLL PIN, 6 X 25mm



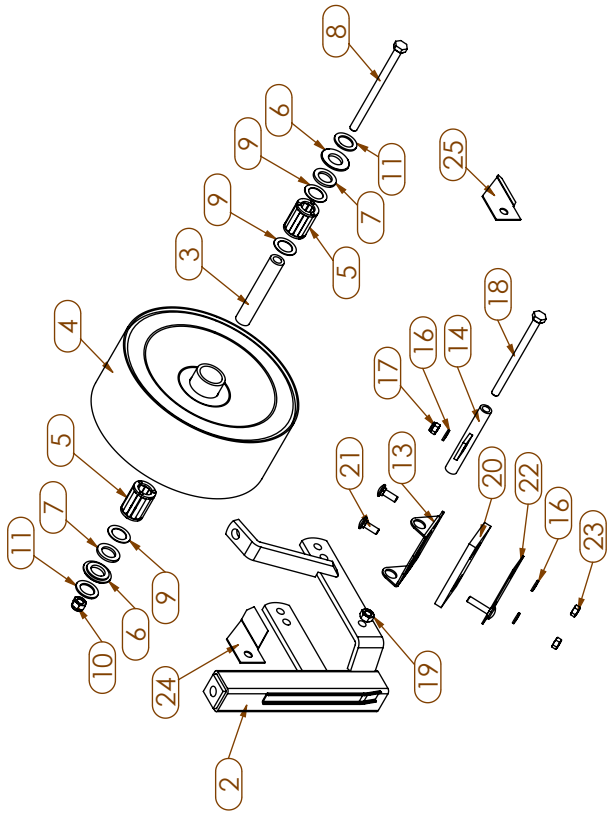
ITEM	PART NUMBER	DESCRIPTION
1	6451.CCO	COVER, MS METER, COMPLETE
2	6449	SPRING PLATE
3	6225	NUT, EJECTOR BLOCK
4	6447	EJECTOR PLATE
5	10591992	SCREW, 6MM X 16MM
6	6471.A	SHUTTER
7	6089	RUBBER RING
8	10530094	PHILIPS HEAD BOLT, M6 X 20
9	10530092	PHILIPS HEAD BOLT, M6 X 16
10	6470	PIN, 6 X 24mm
11	6468	SPRING
12	10170014	SPLIT PIN, 2.5 X 20
13	6210	PIN, PRESSURE SCRAPER
14	6218	SPRING, PIN SCRAPER
15	6090	STOP SNAP RING, 6MM
16	6467.A	SELECTOR SHAFT
17	7091	HAIR PIN
18	6795	WING NUT, 8mm
19	NM-0601	NUT, HEX, 6mm, G8.8
20	6469.1	MS COVER COTTON ROPE SEAL
21	10620032	WASHER, FLAT, 6.5 X 16 X 1
22	HM-0665	HEX, BOLT, 6 X 65, G8.8
23	NM-0605	NUT, NYLOCK, 6mm, G8.8
24	6465.1	SEED HOPPER, 3L PLASTIC
25	6464.1	LID, 3L HOPPER
26	6446	BUNGIE CORD, MS METER LID



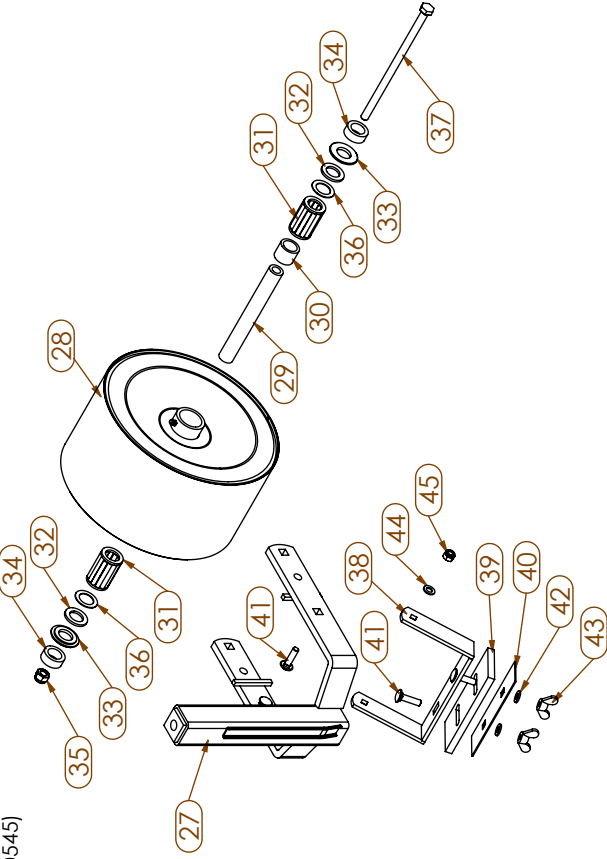
ITEM	PART NUMBER	DESCRIPTION
1	6503.A	REAR PRESS WHEEL FRAME
2	6498.DA	INT SCRAPER R
3	6498.GA	INT SCRAPER L
4	6496	CENTRAL BLOCK WA
5	6475	DEPTH ADJUSTMENT SCREW
6	7083	KNOB
7	4311	SPRING, SLIP CLUTCH
8	65009370	SPRING W/NUT
9	6504.A	REAR FRAME TIE
10	HM-510120	HEX. BOLT, 10 X 120, G10.9
11	5021	SELF LUBRICATING BUSHING
12	6497	PIN, 16 X 172mm
13	NM-21015	NUT, NYLOCK, 10mm, G8.8
14	NM-1812	NUT, NYLOCK, 8mm, G8.8
15	NM-51605	NUT, NYLOCK, 16mm, G8.8
16	6524	PIN, 16 X 95mm
17	6476	STEPPED PIN, 16 X 85mm
18	6490	LOWER CHAIN GUARD
19	6779	BUSHING - 16 X 22 X 20
20	7096	CHAIN ROLLER
21	CBM-2830	CARR. BOLT, 8 X 30mm, CL8.8
22	30561058	CARR. BOLT, 8 X 35mm, CL8.8
23	10620069	WASHER, FLAT, 8.5 X 20 X 1.5
24	10621024	WASHER, FLAT, 13 X 18 X 1
25	6480	UNIT HEAD
26	6477	UPPER ARM, MS A C
27	6478	LOWER ARM, MS A C
28	6482	DECLUTCHING HEAD TUBE
29	6481	HEAD DRIVE SPROCKET, 14T
30	6479	LOCKING HOOK
31	6492	ARTICULATED HOUSING BRACKET
32	6491	UPPER CHAIN GUARD
33	6969	CLAMP FACE, 5 X 5
34	5347	HANDWHEEL

ITEM	PART NUMBER	DESCRIPTION
35	6525	BRACKET, UP PRESSURE SPRING
36	7071.1	ADJUSTMENT ROD, 10MM FOR MS
37	7033	DOWN PRESSURE SPRING
38	6968.1	T-BOLT, 5/8"-11 X 7-15/16"
39	11579	BEARING (30x55x13)
40	300600	SNAP RING 30mm
41	6346.A	SPRING
42	30624014	WASHER, 31 X 41 X 1
43	6523	PIN, 16 X 110mm
44	7184	CENTER HOLE PIN, 16 X 45mm
45	10172090	ROLL PIN, 6 X 25mm
46	NM-21011	NUT, HEX, 10mm, G8.8
47	NM-51603	NUT, HEX, JAM, 16mm, G8.8
48	10170035	SPLIT PIN, 3.5 X 45mm
49	10629050	SLOTTED WASHER, HILLER ARMS
50	CBM-41260	M12 X 60MM CARR BOLT 8.8Z
51	6474.1	CHAIN IDLER BRACKET
52	6273	IDLER ROLLER 25MM ID
53	5501	SPRING (R125)
54	5247	SPRING
55	7091	HITCH PIN CLIP
56	5654	STOP SNAP RING, 12MM
57	6518	CHAIN, MS UNIT (120 LINKS)
58	6795	WING NUT, 8mm
59	20032040	SELF LUBRICATING BUSHING (B21)
60	9562	CHAIN ROLLER
61	HM-41030	HEX, BOLT, 10 X 30, G8.8
62	NM-31201	NUT, HEX, 12mm, G8.8
63	10172092	ROLL PIN, 6 X 35mm
64	CBM-31035	CARR. BOLT, 10 X 35mm, CL8.8
65	10170031	SPLIT PIN, 3.5 X 25mm

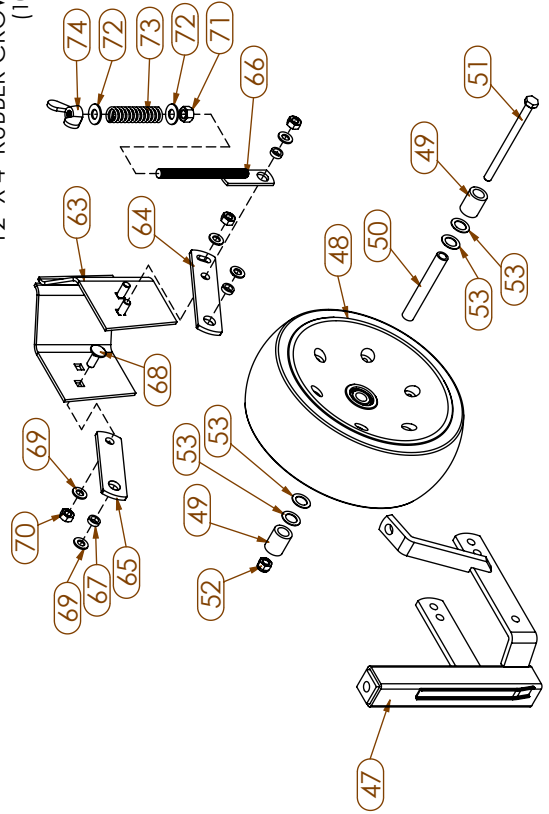
250 X 105 STAINLESS STEEL
(100544)



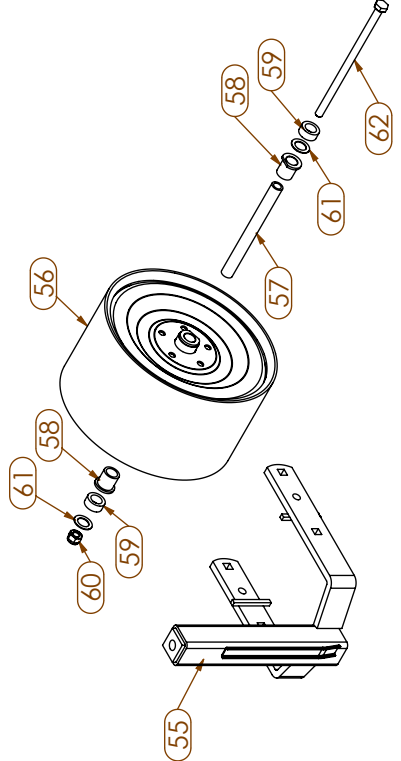
250 X 140 STAINLESS STEEL
(100545)



12" X 4" RUBBER CROWNED
(100550)



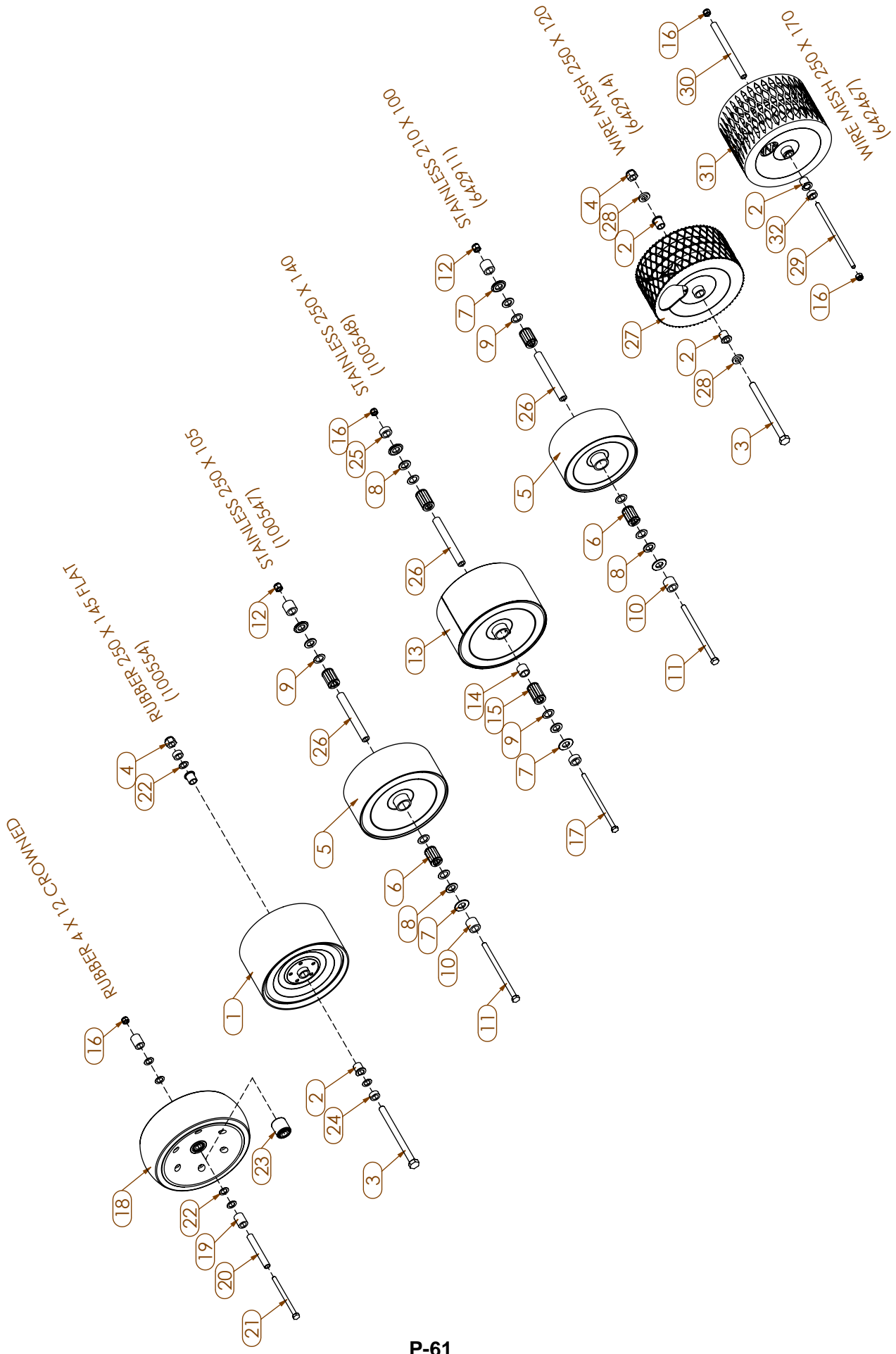
250 X 145 RUBBER
(100551)



ITEM	PART NUMBER	DESCRIPTION
1	100544	FRONT SS WHEEL 250 X 105
2	6493.B	FRONT WHEEL BRACKET
3	6601	SHAFT, 20 X 12 X 113
4	6600	SS WHEEL, 250 X 105
5	6602	ROLLER BEARING
6	6588	WASHER, SHOULDERED
7	6587	STAINLESS STEEL WHEEL RUBBER SEAL
8	HM-510150	HEX, BOLT, 10 X 150, G10.9
9	10623009	WASHER, FLAT, 21 X 32 X 1
10	NM-21015	NUT, NYLOCK, 10mm, G8.8
11	10623011	WASHER, 21x32x2mm
12	651078	SCRAPER ASSY, SS FRNT WHL, MS VER A&C
13	6603	SCRAPER HOLDER BACKET
14	6604	SCRAPER BRACKET TUBE
15	3056.1058	CARR. BOLT, 8 X 35mm, CL8.8
16	10620025	WASHER, 8 X 16 X 2MM
17	NM-1812	NUT, NYLOCK, 8mm, G8.8
18	HM-510140	HEX, BOLT, 10 X 140, G10.9
19	NM-21011	NUT, HEX, 10mm, G8.8
20	6529.A	SCRAPER, 105 MM
21	1056.1055	CARR. BOLT, 8 X 22mm, CL8.8
22	6605	PLATE, SS PLATE 105 MM
23	NM-1801	NUT, HEX, 8mm, G8.8
24	804682	LH SCRAPER FOR SS PRESS WHEEL
25	804681	RH SCRAPER FOR SS PRESS WHEEL
26	100545	FRONT SS WHEEL 250 X 140
27	6562.1	FRONT WHEEL BRACKET 250 X 140
28	6581	SS WHEEL, 250 X 140
29	6559	SHAFT, 12 X 20 X 164
30	6586	BUSHING, 27 X 20 X 22mm

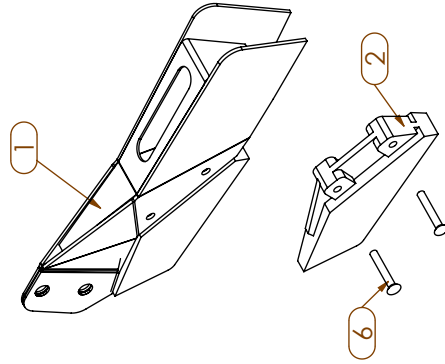
ITEM	PART NUMBER	DESCRIPTION
31	6752	ROLLER BEARING, 32 X 20 X 51
32	6587	STAINLESS STEEL WHEEL RUBBER SEAL
33	6588	WASHER, SHOULDERED
34	7174	SPACER, 30 X 20 X 12
35	NM-21015	NUT, NYLOCK, 10mm, G8.8
36	10623009	WASHER, FLAT, 21 X 32 X 1
37	HM-510200	HEX, BOLT, 10 X 200
38	6594	BRACKET, 250X140 SCRAPER MS VER A&C
39	6533.A	SCRAPER, 250 X 140 MM SS WHEEL
40	6534.A	SCRAPER PLATE, 250 X 140 MM, SS WHEEL
41	CBM-2830	CARR. BOLT, 8 X 30mm, CL8.8
42	10620025	WASHER, 8 X 16 X 2MM
43	6795	WING NUT, 8mm
44	W-1410	WASHER, FLAT, 5/16" SAE G8
45	NM-1812	NUT, NYLOCK, 8mm, G8.8
46	100550	FRONT RUBBER WHEEL 250 X 105
47	6493.B	FRONT WHEEL BRACKET
48	11540.AM	PRESS WHEEL, 4 X 12, CROWNED
49	900235	BUSHING, 32mm
50	6514	SHAFT
51	HM-510140	HEX, BOLT, 10 X 140, G10.9
52	NM-21015	NUT, NYLOCK, 10mm, G8.8
53	10622024	WASHER, FLAT, 16.5 X 26 X 1
54	100551	FRONT RUBBER WHEEL 250 X 145
55	6562.1	FRONT WHEEL BRACKET 250 X 140
56	6512	PRESS WHEEL ASM, 250 X 145
57	6558	SHAFT, 11 X 16 X 164mm
58	5021	SELF LUBRICATING BUSHING
59	900159	BUSHING, 25 X 16.5 X 11mm
60	NM-21015	NUT, NYLOCK, 10mm, G8.8

ITEM	PART NUMBER	DESCRIPTION
61	10622024	WASHER, FLAT, 16.5 X 26 X 1
62	HM-510200	HEX, BOLT, 10 X 200
63	66003391	CLOD REMOVER
64	20033462	CLOD REMOVER CARRIER R
65	20033461	CLOD REMOVER CARRIER L
66	66003394	ADJUSTMENT ROD
67	20033910	SPACER, 11 X 16 X 5
68	CBM-31025	CARR. BOLT, 10 X 25mm, CL8.8
69	10620089	WASHER, FLAT, 10.5 X 20 X 2
70	NM-21011	NUT, HEX, 10mm, G8.8
71	NM-31201	NUT, HEX, 12mm, G8.8
72	10621046	WASHER, 13 X 27 X 2MM
73	5497	SPRING
74	6320	M12 WING NUT

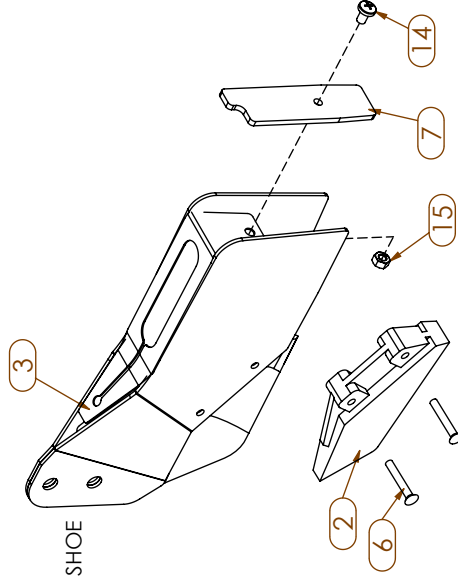


ITEM	PART NUMBER	DESCRIPTION
1	6512	PRESS WHEEL ASM, 250 X 145
2	5021	SELF LUBRICATING BUSHING
3	H-5801	BOLT, HEX, 5/8"-11 X 8" G8
4	N-5101	NUT, NYLOCK, 5/8"-11 G8
5	6600	SS WHEEL, 250 X 105
6	6602	ROLLER BEARING
7	6588	WASHER, SHOULDERED
8	6587	STAINLESS STEEL WHEEL RUBBER SEAL
9	10623009	WASHER, FLAT, 21 X 32 X 1
10	6598.1	BUSHING, 20 X 30 X
11	HM-65200	HEX, BOLT, 12 X 200, G8.8
12	NM-31205	NUT, NYLOCK, 12mm, G8.8
13	6581	SS WHEEL, 250 X 140
14	6586	BUSHING, 27 X 20 X 22mm
15	6752	ROLLER BEARING, 32 X 20 X 51
16	NM-21015	NUT, NYLOCK, 10mm, G8.8
17	HM-510200	HEX, BOLT, 10 X 200
18	11540.AM	PRESS WHEEL, 4 X 12, CROWNED
19	900235	BUSHING, 32mm
20	6514	SHAFT
21	HM-510140	HEX, BOLT, 10 X 140, G10.9
22	10622024	WASHER, FLAT, 16.5 X 26 X 1
23	900125	BEARING, 40mm
24	900159	BUSHING, 25 X 16.5 X 11mm
25	7174	SPACER, 30 X 20 X 12
26	6559	SHAFT, 12 X 20 X 164
27	6530	250 X 120 (9 7/8" X 4 3/4") MESH WHEEL
28	10622047	WASHER, 17 X 30 X 5
29	6597	THREADED SHAFT, 10 X 235
30	6558.A	SHAFT, 11 X 16 X 195
31	65003177	WIRE MESH WHEEL, 250 X 170
32	4694	BUSHING, 16 X 25 X 10mm

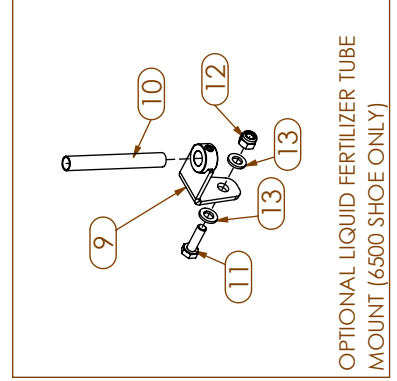
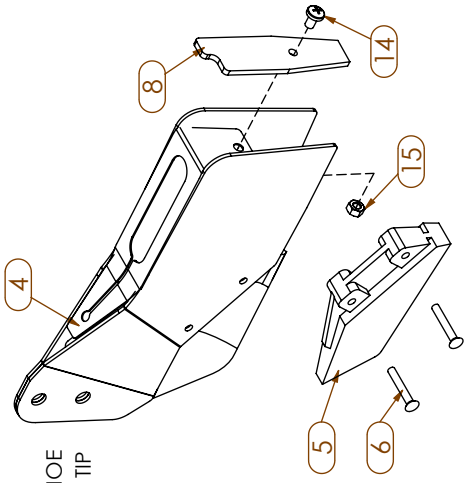
6500.LP LOW PROFILE SHOE



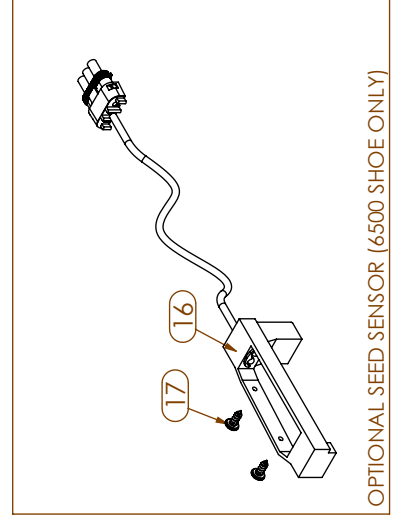
6500 STANDARD SHOE



6500.6 STANDARD SHOE WITH NARROW CAST TIP



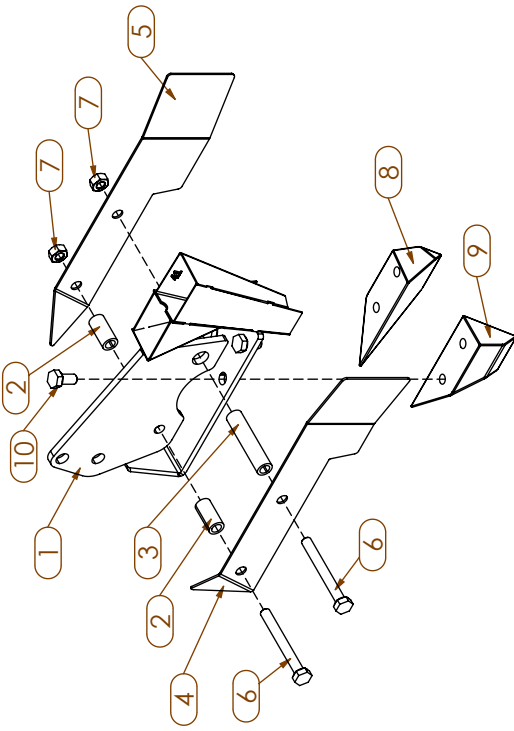
OPTIONAL LIQUID FERTILIZER TUBE MOUNT (6500 SHOE ONLY)



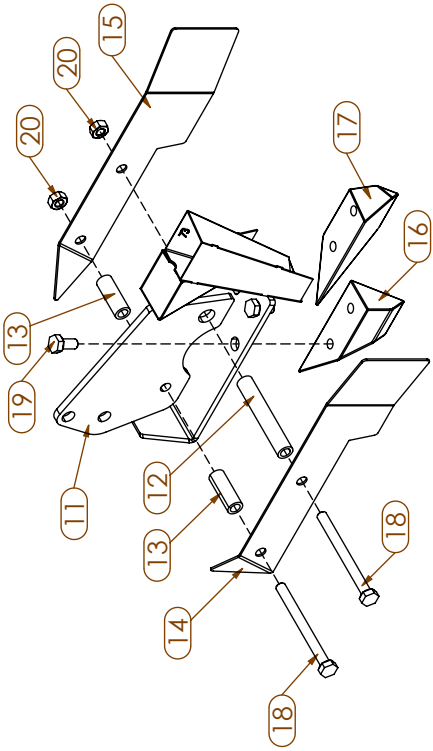
OPTIONAL SEED SENSOR (6500 SHOE ONLY)

ITEM	PART NUMBER	DESCRIPTION
1	6500.LP	MS SHOE LOW PROFILE
2	7144	STANDARD CAST POINT
3	6500	SHOE, MS STD POINT
4	6500.6	STANDARD SHOE, NARROW POINT
5	7144.2	CAST POINT, NARROW TIP
6	10176003	RIVET, 5 X 34MM
7	6517	WIND FLAP, STANDARD
8	6517.S	WIND FLAP, NARROW SHOE
9	200888	LIQUID TUBE HOLDER
10	803475	TUBE, .37 X 3.00
11	HM-0620	HEX, BOLT, 6 X 20, G8.8
12	NM-0605	NUT, NYLOCK, 6mm, G8.8
13	W-0410	WASHER, FLAT, 1/4" SAE G8
14	10530090	SCREW, PHILLIPS, 6 X 10
15	NM-0601	NUT, HEX, 6mm, G8.8
16	900380	SENSOR MS, DJ
17	K10521	SCREW, TAPPING, #10 X 3/8

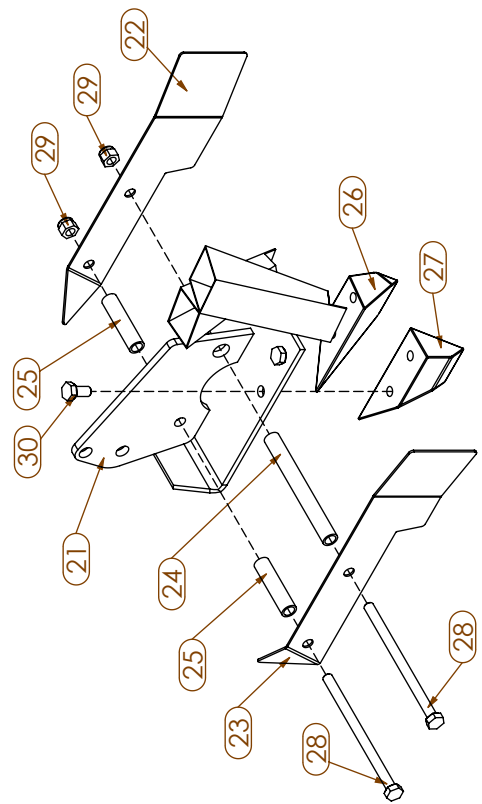
651072 - 2" (50mm) FIXED SPLIT SHOE



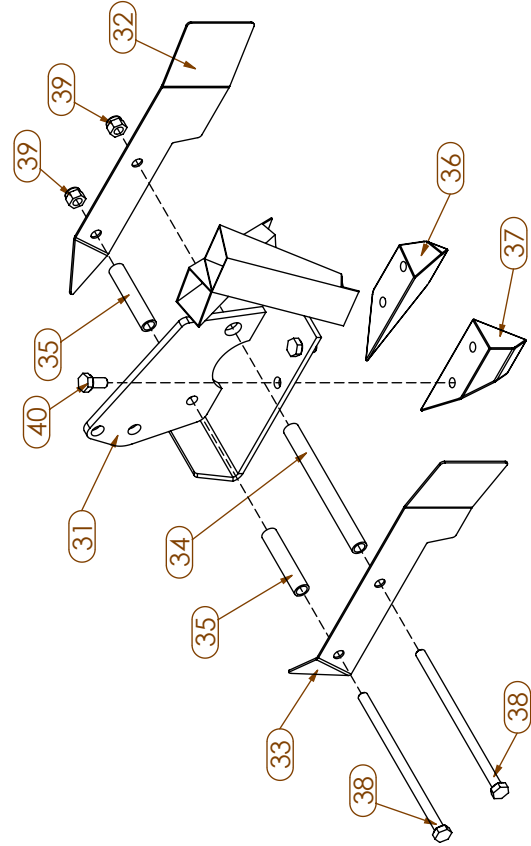
651052 - 2-3/4" (70mm) FIXED SPLIT SHOE



6500.4S - 4" FIXED SPLIT SHOE



6500.5S - 5" FIXED SPLIT SHOE

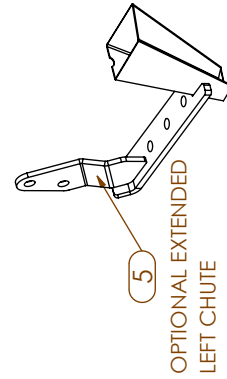
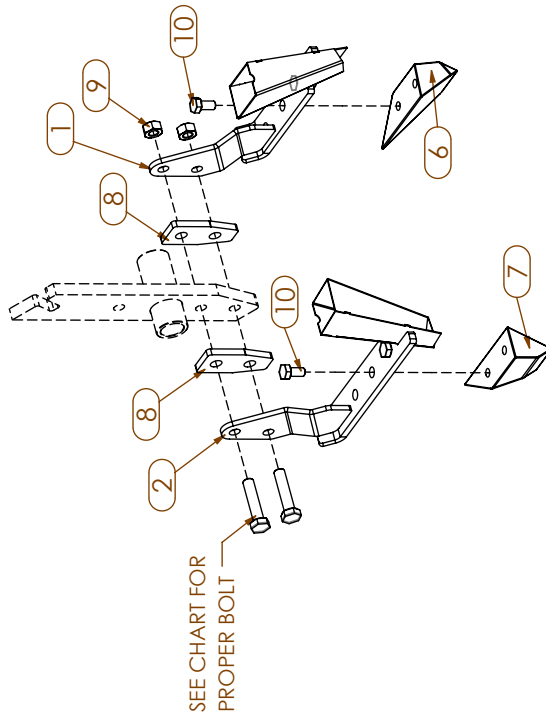


ITEM	PART NUMBER	DESCRIPTION
1	66003355	MS FIXED SPLIT SHOE, 50MM (2")
2	40090245	SPACER, 13 X 8.5 X 27L MM
3	20033552	SPACER, 13 X 8.5 X 60L MM
4	6591.G	MS FIXED SHOE WING, LEFT
5	6591.D	MS FIXED SHOE WING, RIGHT
6	HM-2870	HEX, BOLT, 8 X 70, G8.8
7	NM-1801	NUT, HEX, 8mm, G8.8
8	6501.D	CAST TIP, RH
9	6501.G	CAST TIP, LH
10	HM-2816	HEX, BOLT, 8 X 16, G8.8
11	65103382	MS FIXED SPLIT SHOE, 70MM (2-3/4")
12	41033832	SPACER, 13 X 8.5 X 79.5L MM
13	20033832	SPACER, 13 X 8.5 X 36.5L MM
14	6591.G	MS FIXED SHOE WING, LEFT
15	6591.D	MS FIXED SHOE WING, RIGHT
16	6501.G	CAST TIP, LH
17	6501.D	CAST TIP, RH
18	HM-2890	HEX, BOLT, 8 X 90, G8.8
19	HM-2816	HEX, BOLT, 8 X 16, G8.8
20	NM-1801	NUT, HEX, 8mm, G8.8

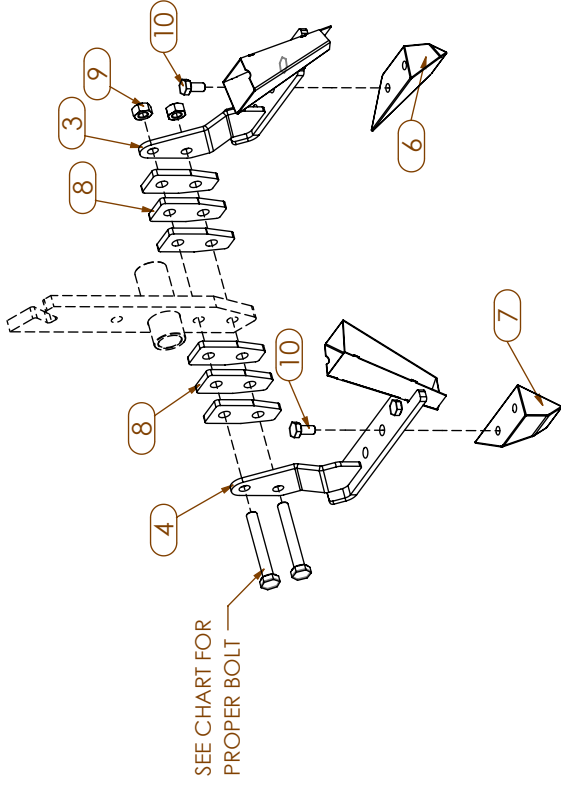
ITEM	PART NUMBER	DESCRIPTION
21	200240	MS 4 DOUBLE SHOE WA
22	6591.D	MS FIXED SHOE WING, RIGHT
23	6591.G	MS FIXED SHOE WING, LEFT
24	800544	TUBE, .50 X .37 X 4.50
25	800543	TUBE, .50 X .37 X 2.13
26	6501.D	CAST TIP, RH
27	6501.G	CAST TIP, LH
28	H-2509	BOLT, HEX, 5/16"-18 X 5" G5
29	N-1101	NUT, NYLOCK, 5/16"-18 G5
30	HM-2816	HEX, BOLT, 8 X 16, G8.8
31	200280	MS 5-1/4" DOUBLE SHOE WA
32	6591.D	MS FIXED SHOE WING, RIGHT
33	6591.G	MS FIXED SHOE WING, LEFT
34	800544.1	TUBE, .50 X .37 X 5.25
35	800543.1	TUBE, .50 X .37 X 2.50
36	6501.D	CAST TIP, RH
37	6501.G	CAST TIP, LH
38	H-2610	BOLT, HEX, 5/16"-18 X 6" G8
39	N-1101	NUT, NYLOCK, 5/16"-18 G5
40	HM-2816	HEX, BOLT, 8 X 16, G8.8

STANDARD SPACING

MOUNTING BOLT	# OF SPACERS		LINE SPACING
	RIGHT	LEFT	
HM-41030	0	0	2.25"
HM-41040	1	0	2.50"
HM-41045	1	1	2.75"
HM-41055	2	1	3.00"
HM-41055	2	2	3.25"
HM-41070	3	2	3.50"
HM-41070	3	3	3.75"

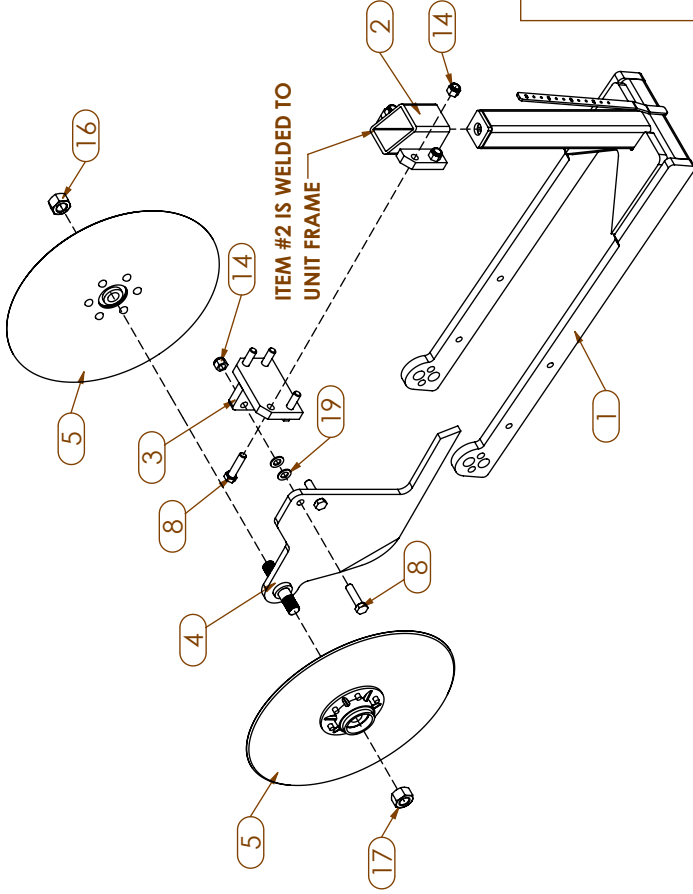


WIDE SPACING

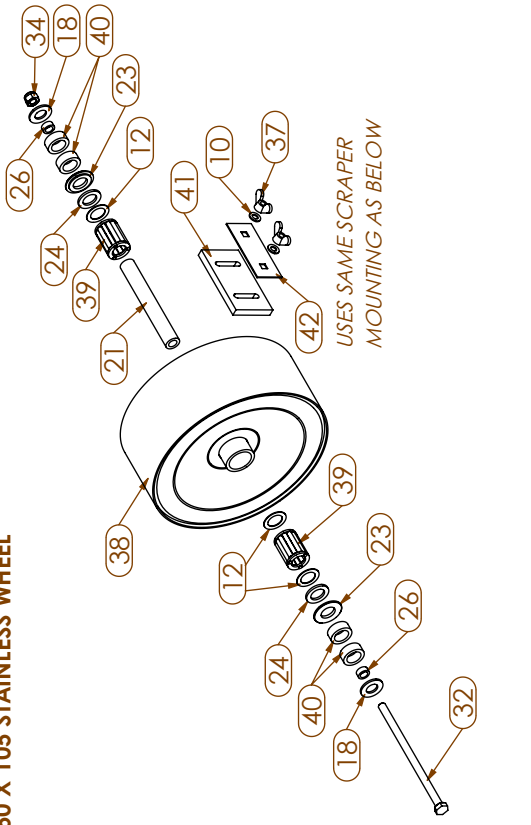


MOUNTING BOLT	# OF SPACERS		LINE SPACING
	RIGHT	LEFT	
HM-41070	3	3	3.50"
HM-41080	4	3	3.75"
HM-41090	4	4	4.00"
HM-41090	5	5	4.25"
HM-510110	6	5	4.50"
HM-510110	6	6	4.75"

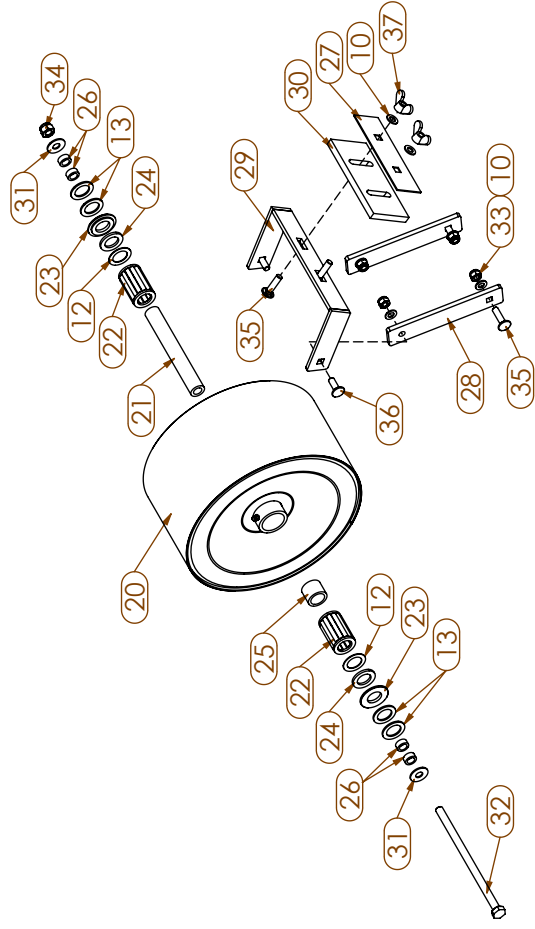
ITEM	PART NUMBER	DESCRIPTION
1	201102	SPLIT SHOE RIGHT STD
2	201104	SPLIT SHOE LEFT STD
3	201101	SPLIT SHOE RIGHT WIDE
4	201103	SPLIT SHOE LEFT WIDE
5	200214	MS SHOE L WA, EXTENDED
6	6501.D	CAST TIP, RH
7	6501.G	CAST TIP, LH
8	900316	SHOE SPACER
9	NM-21011	NUT, HEX, 10mm, G8.8
10	HM-2816	HEX, BOLT, 8 X 16, G8.8



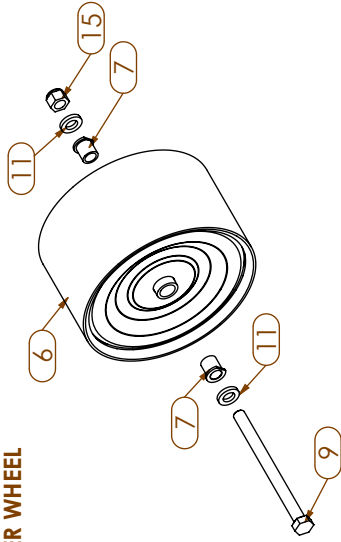
250 X 105 STAINLESS WHEEL



250 X 140 STAINLESS WHEEL

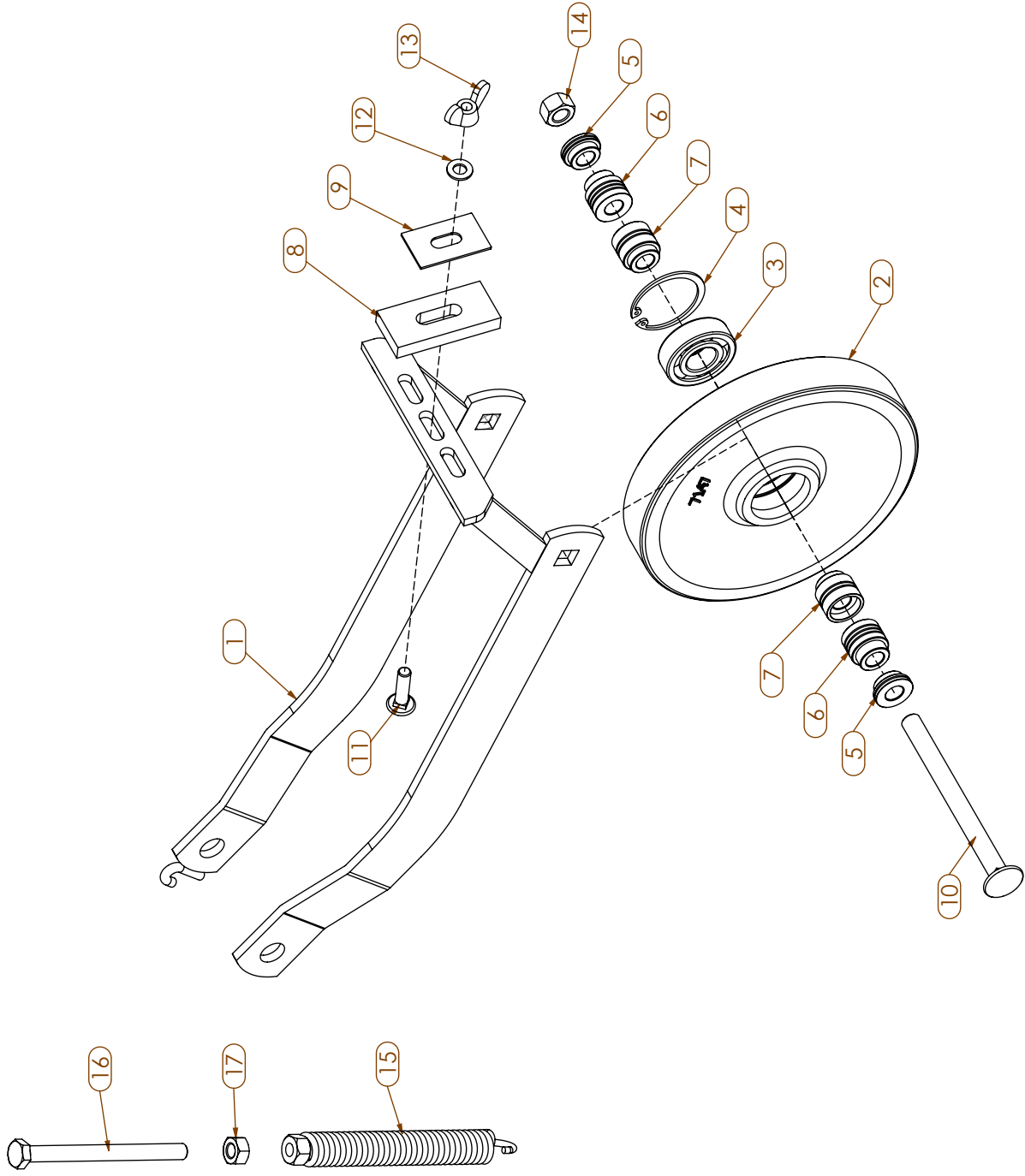


250 X 145 RUBBER WHEEL

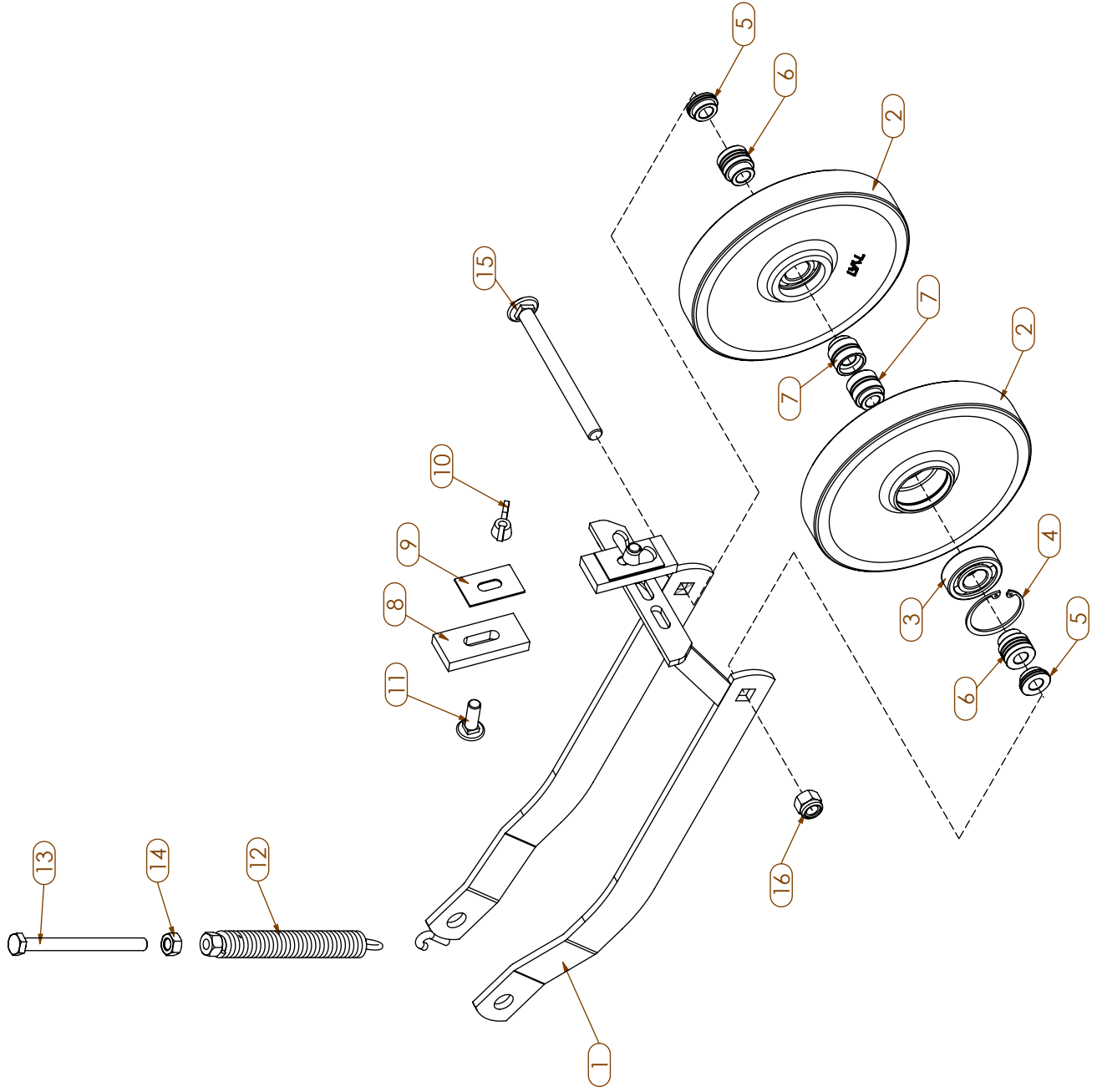


ITEM	PART NUMBER	DESCRIPTION
1	800561	WHEEL BRACKET WA
2	800627	CENTRAL BLOCK WA
3	800563	DISC MOUNT WA
4	800562	DISC OPENER PLATE WA
5	900264	OPENER DISC w/HUB, 12"
6	6512	PRESS WHEEL ASM, 250 X 145
7	5021	SELF LUBRICATING BUSHING
8	H-3120	BOLT, HEX, 3/8"-16 X 1-1/2" G8
9	H-5801	BOLT, HEX, 5/8"-11 X 8" G8
10	10620063	WASHER, FLAT, 8.5 X 16 X 1.5
11	10622047	WASHER, 17 X 30 X 5
12	10623009	WASHER, FLAT, 21 X 32 X 1
13	10623011	WASHER, 21x32x2mm
14	N-2101	NUT, NYLOCK 3/8"-16 G8
15	N-5101	NUT, NYLOCK, 5/8"-11 G8
16	NM-51601	NUT, HEX, 16mm, G8.8
17	NM-51602	NUT, HEX, 16mm L, G8.8
18	W-5410	WASHER, FLAT, 5/8" SAE G8
19	W-2410	WASHER, FLAT, 3/8" SAE G8
20	6581	SS WHEEL, 250 X 140
21	804029	SHAFT, 12 X 20 X 148
22	6752	ROLLER BEARING, 32 X 20 X 51
23	6588	WASHER, SHOULDERED
24	6587	STAINLESS STEEL WHEEL RUBBER SEAL
25	6586	BUSHING, 27 X 20 X 22mm
26	6547	SPACER, 16 X 10 X 7
27	6534.A	SCRAPER PLATE
28	804032	BRACKET STRAP
29	6589	SCRAPER BRACKET WA
30	6533.A	SCRAPER, 250 X 140 MM SS WHEEL

ITEM	PART NUMBER	DESCRIPTION
31	W-2210	WASHER, FLAT, 3/8" USS G8
32	HM-510190	HEX. BOLT, 10 X 190, G8.8
33	NM-1812	NUT, NYLOCK, 8mm, G8.8
34	NM-21015	NUT, NYLOCK, 10mm, G8.8
35	CBM-2830	CARR. BOLT, 8 X 30mm, CL8.8
36	10561055	CARR. BOLT, 8 X 22mm, CL8.8
37	6795	WING NUT, 8mm
38	6600	SS WHEEL, 250 X 105
39	6602	ROLLER BEARING
40	6598	BUSHING, 30 X 20.5 X 12mm
41	6529.A	SCRAPER, 105 MM
42	6605	PLATE, SS PLATE 105 MM

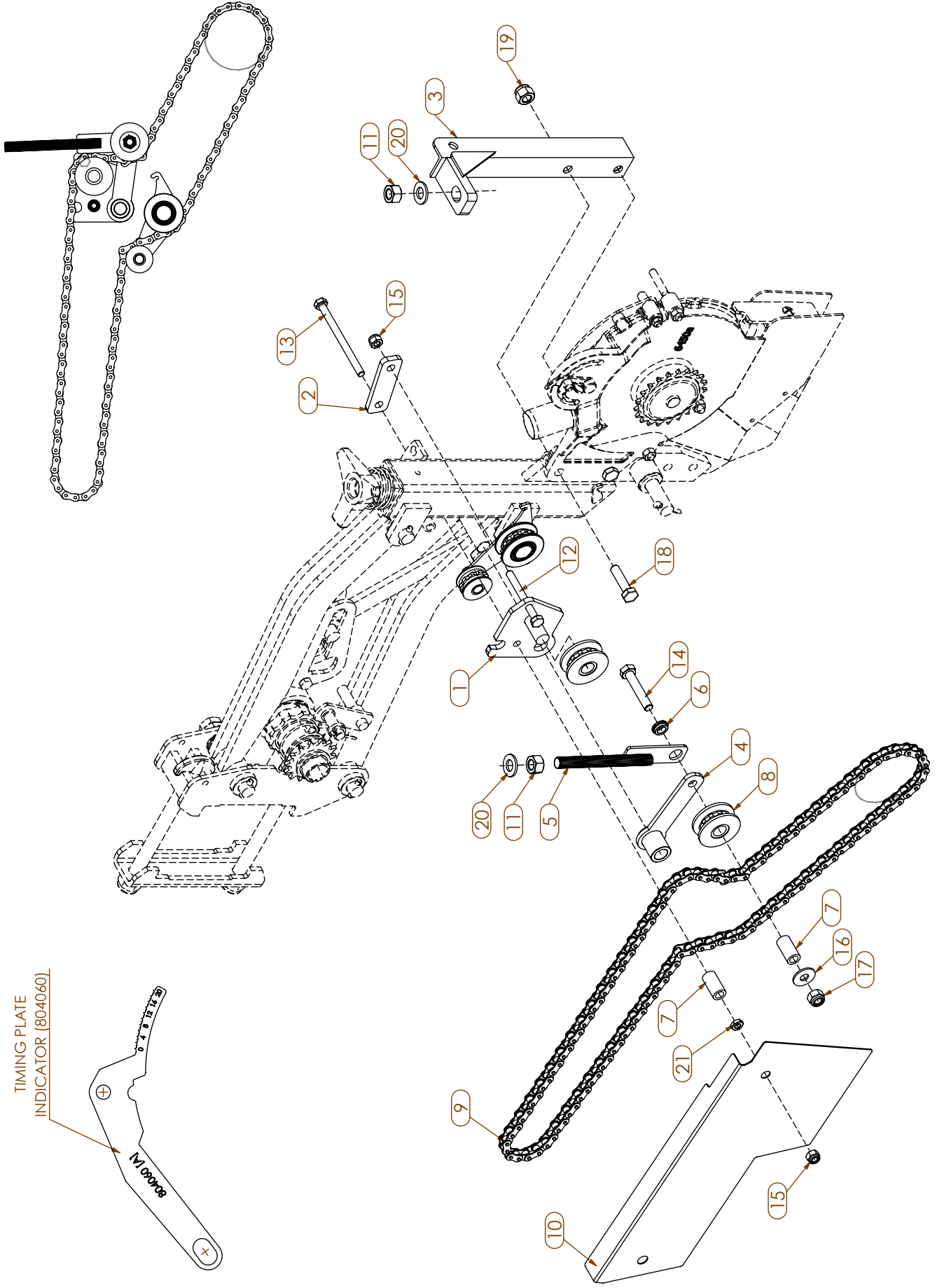
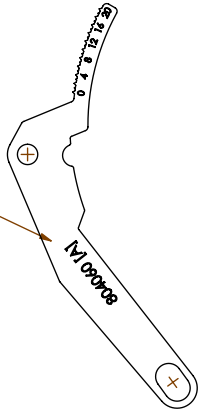


ITEM	PART NUMBER	DESCRIPTION
1	6520.A	ROLLER FRAME
2	7147	INTERMEDIATE STEEL PRESS WHEEL
3	11513	BEARING (6204-2RS)
4	11564	SNAP RING (#47)
5	40090330	BUSHING, 5.5MM (1 GROOVE)
6	40090331	BUSHING, 16.7MM, (3 GROOVE)
7	40090332	BUSHING, 18.5MM (2 GROOVE)
8	6790.A	GREENFLEX SCRAPER
9	6796	PLATE, STAINLESS STEEL, INTERMEDIATE PRESS WHEEL
10	6554	CARR. BOLT, 12 X 140mm, CL8.8
11	CBM-2830	CARR. BOLT, 8 X 30mm, CL8.8
12	10620063	WASHER, FLAT, 8.5 X 16 X 1.5
13	6795	WING NUT, 8mm
14	NM-31201	NUT, HEX, 12mm, G8.8
15	65009370	SPRING W/NUT
16	30502029	HEX. BOLT M10 X 120 ALL THREAD
17	NM-21011	NUT, HEX, 10mm, G8.8

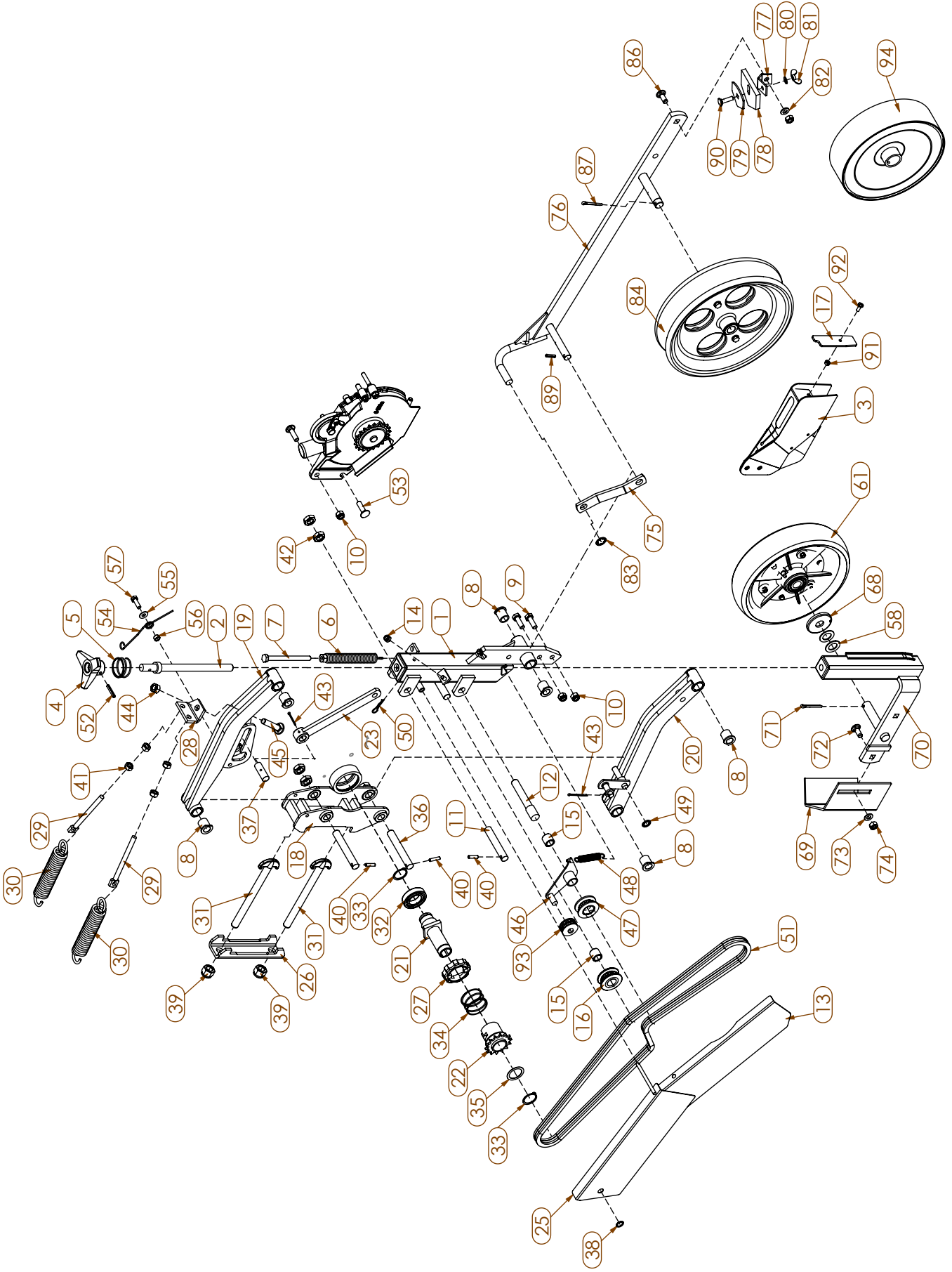


ITEM	PART NUMBER	DESCRIPTION
1	6520.A	ROLLER FRAME
2	7147	INTERMEDIATE STEEL PRESS WHEEL
3	11513	BEARING (6204-2RS)
4	11564	SNAP RING, INTERNAL 47MM
5	40090330	BUSHING, 5.5MM (1 GROOVE)
6	40090331	BUSHING, 16.7MM, (3 GROOVE)
7	40090332	BUSHING, 18.5MM (2 GROOVE)
8	6790.A	GREENFLEX SCRAPER
9	6796	PLATE, STAINLESS STEEL, INTERMEDIATE PRESS WHEEL
10	6795	WING NUT, 8mm
11	CBM-31030	CARR. BOLT, 10 X 30mm, Cl8.8
12	65009354	SRRING W/ NUT
13	30502029	HEX. BOLT M10 X 120 ALL THREAD
14	NM-21011	NUT, HEX, 10mm, G8.8
15	6554	CARR. BOLT, 12 X 140mm, CL8.8
16	NM-31205	NUT, NYLOCK, 12mm, G8.8

TIMING PLATE
INDICATOR (804060)



ITEM	PART NUMBER	DESCRIPTION
1	200838	ROLLER BRACKET
2	803333	PLATE, COUNTER CLAMP
3	200819	ANGLE BRACKET WA
4	200818	ROLLER ARM WA
5	200820	THREADED WA
6	803678	BUSHING, STEP
7	KD1026	BUSHING, .625" X 1.188"
8	7096	ROLLER
9	300915	CHAIN, 5R, 124 PITCHES
10	803335	SHIELD, FRONT
11	N-4001	NUT, HEX, 1/2"-13, G8
12	HM-2875	HEX, BOLT, 8 X 75, G8.8
13	HM-38110	HEX, BOLT, 8 X 110, G8.8
14	HM-41055	HEX, BOLT, 10 X 55, G8.8
15	NM-1812	NUT, NYLOCK, 8mm, G8.8
16	10620095	WASHER, 10.5 X 27 X 2
17	NM-21015	NUT, NYLOCK, 10mm, G8.8
18	HM-41040	HEX, BOLT, 10 X 40, G8.8
19	NM-31205	NUT, NYLOCK, 12mm, G8.8
20	W-4410	WASHER, FLAT, 1/2" SAE G8
21	NM-1810	NUT, HEX, JAM, 8mm, G8.8

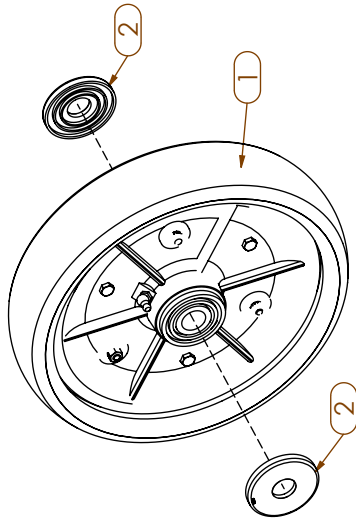


ITEM	PART NUMBER	DESCRIPTION
1	6496	CENTRAL BLOCK WA
2	6475	DEPTH ADJUSTMENT SCREW
3	6500.6	NARROW SHOE
4	7083	KNOB
5	4311	SPRING, SLIP CLUTCH
6	65009370	SPRING W/NUT
7	HM-510120	HEX, BOLT, 10 X 120, G10.9
8	5021	SELF LUBRICATING BUSHING
9	HM-41030	HEX, BOLT, 10 X 30, G8.8
10	NM-21015	NUT, NYLOCK, 10mm, G8.8
11	6524	PIN, 16 X 95mm
12	6476	STEPPED PIN, 16 X 85mm
13	6490	LOWER CHAIN GUARD
14	NM-1812	NUT, NYLOCK, 8mm, G8.8
15	6779	BUSHING - 16 X 22 X 20
16	7096	CHAIN ROLLER
17	6517	WIND FLAP, STANDARD
18	6480	UNIT HEAD
19	6477	UPPER ARM, MS A C
20	6478	LOWER ARM, MS A C
21	6482	DECLUTCHING HEAD TUBE
22	6481	HEAD DRIVE SPROCKET, 14T
23	6479	LOCKING HOOK
24	6492	ARTICULATED HOUSING BRACKET
25	6491	UPPER CHAIN GUARD
26	6969	CLAMP FACE, 5 X 5
27	5347	HANDWHEEL
28	6525	BRACKET, UP PRESSURE SPRING
29	7071.1	ADJUSTMENT ROD, 10MM FOR MS
30	7033	DOWN PRESSURE SPRING
31	6968.1	T-BOLT, 5/8"-11 X 7-15/16"
32	11579	BEARING (30x55x13)
33	300600	SNAP RING 30mm
34	6346.A	SPRING
35	30624014	WASHER, 31 X 41 X 1

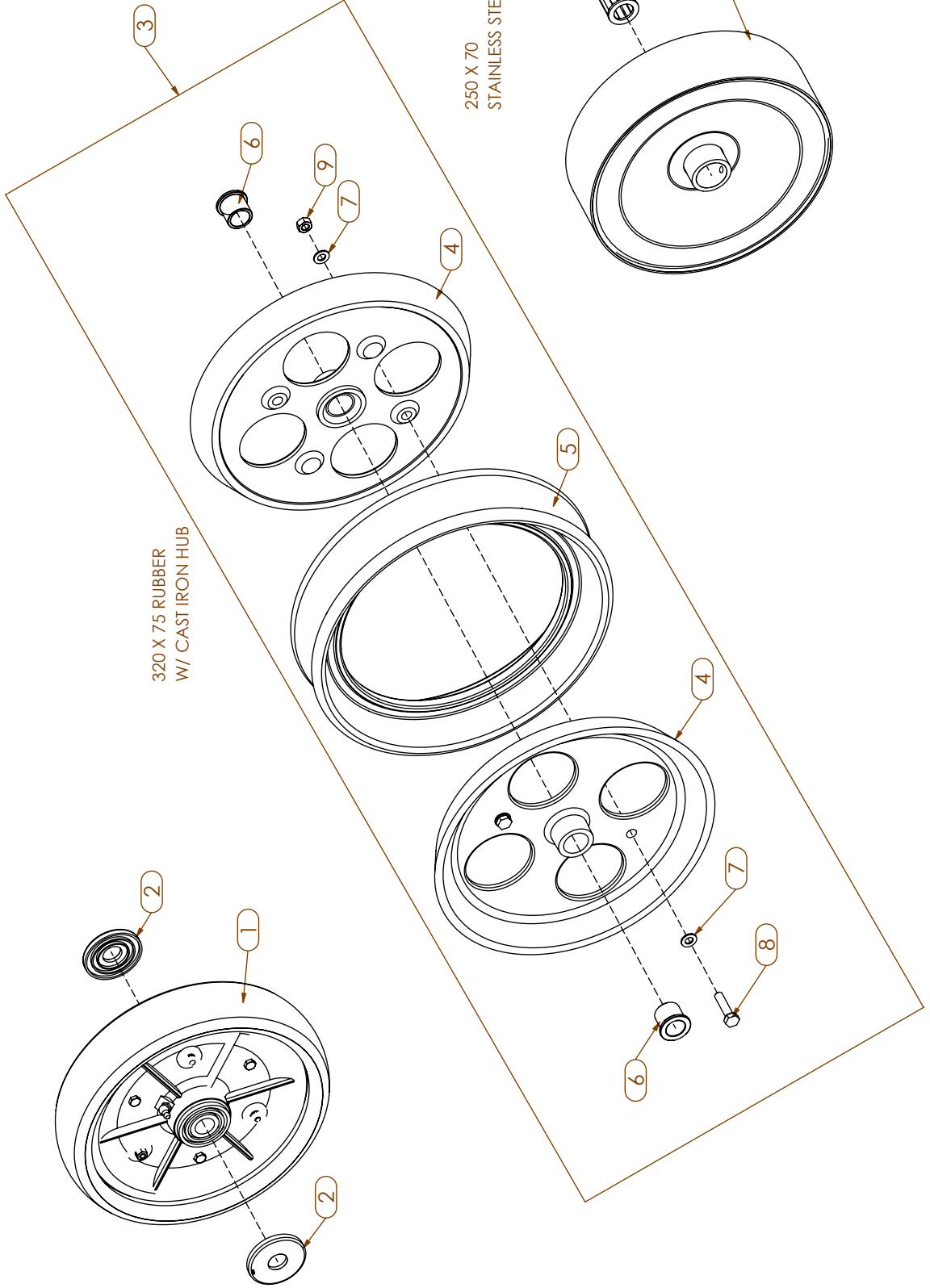
ITEM	PART NUMBER	DESCRIPTION
36	6523	PIN, 16 X 110mm
37	7184	CENTER HOLE PIN, 16 X 45mm
38	10621024	WASHER, FLAT, 13 X 18 X 1
39	NM-51605	NUT, NYLOCK, 16mm, G8.8
40	10172090	ROLL PIN, 6 X 25mm
41	NM-21011	NUT, HEX, 10mm, G8.8
42	NM-51603	NUT, HEX, JAM, 16mm, G8.8
43	10170035	SPLIT PIN, 3.5 X 45mm
44	NM-31201	NUT, HEX, 12mm, G8.8
45	CBM-41260	M12 X 60MM CARR BOLT 8.8Z
46	6474.1	CHAIN IDLER BRACKET
47	6273	IDLER ROLLER 25MM ID
48	5501	SPRING (R125)
49	5654	STOP SNAP RING, 12MM
50	7091	HITCH PIN CLIP
51	6518	CHAIN, MS UNIT (120 LINKS)
52	10172092	ROLL PIN, 6 X 35mm
53	CBM-31035	CARR. BOLT, 10 X 35mm, CL8.8
54	7156	LOCK UP SPRING - MS
55	10620069	WASHER, FLAT, 8.5 X 20 X 1.5
56	7155	BUSHING, 8 X 13 X 7mm
57	HM-2825	HEX, BOLT, 8 X 25, G8.8
58	30623020	WASHER, FLAT, 21 X 35 X 2mm
59	5697	WHEEL, 285 X 65 RUBBER
60	10200012	10200012
61	5697.1	TIRE
62	10219008	O-RING
63	10163001	GREASE ZERK, 45
64	30500094	BOLT, 6 X 20
65	10629007	WASHER, EXTERNAL LOCK, 6mm
66	30600006	NUT, HEX, JAM 6mm
67	30620009	WASHER, 12 X 6 X 1
68	5648	PROTECTOR CAP
69	6536	CLOD REMOVER, FRONT, MS-B
70	6535	FRONT WHEEL BRACKET

ITEM	PART NUMBER	DESCRIPTION
71	10170067	SPLIT PIN, 5 x 40mm
72	CBM-31025	CARR. BOLT, 10 X 25mm, CL8.8
73	10620089	WASHER, FLAT, 10.5 X 20 X 2
74	NM-21011	NUT, HEX, 10mm, G8.8
75	6538	REINFORCING PLATE REAR ARM
76	6537	REAR ARM
77	6551	REAR SCRAPER BRACKET
78	10200102	SCRAPER FOR CONCAVE WHEEL
79	5672	SCRAPER CARRIER PLATE
80	10620063	WASHER, FLAT, 8.5 X 16 X 1.5
81	6795	WING NUT, 8mm
82	10620089	WASHER, FLAT, 10.5 X 20 X 2
83	6714.A	STOP SNAPRING 16MM
84	642913	WHEEL, CONCAVE CAST
85	NM-21011	NUT, HEX, 10mm, G8.8
86	CBM-31025	CARR. BOLT, 10 X 25mm, CL8.8
87	10170067	SPLIT PIN, 5 x 40mm
88	CBM-2830	CARR. BOLT, 8 X 30mm, CL8.8
89	10172090	ROLL PIN, 6 X 25mm
90	CBM-2830	CARR. BOLT, 8 X 30mm, CL8.8
91	NM-0601	NUT, HEX, 6mm, G8.8
92	10530092	SCREW, PH PH, 6 X 16mm
93	9562	CHAIN ROLLER
94	5625.1	STAINLESS WHEEL, 250 X 70

280 X 65 RUBBER
W/ PLASTIC HUB

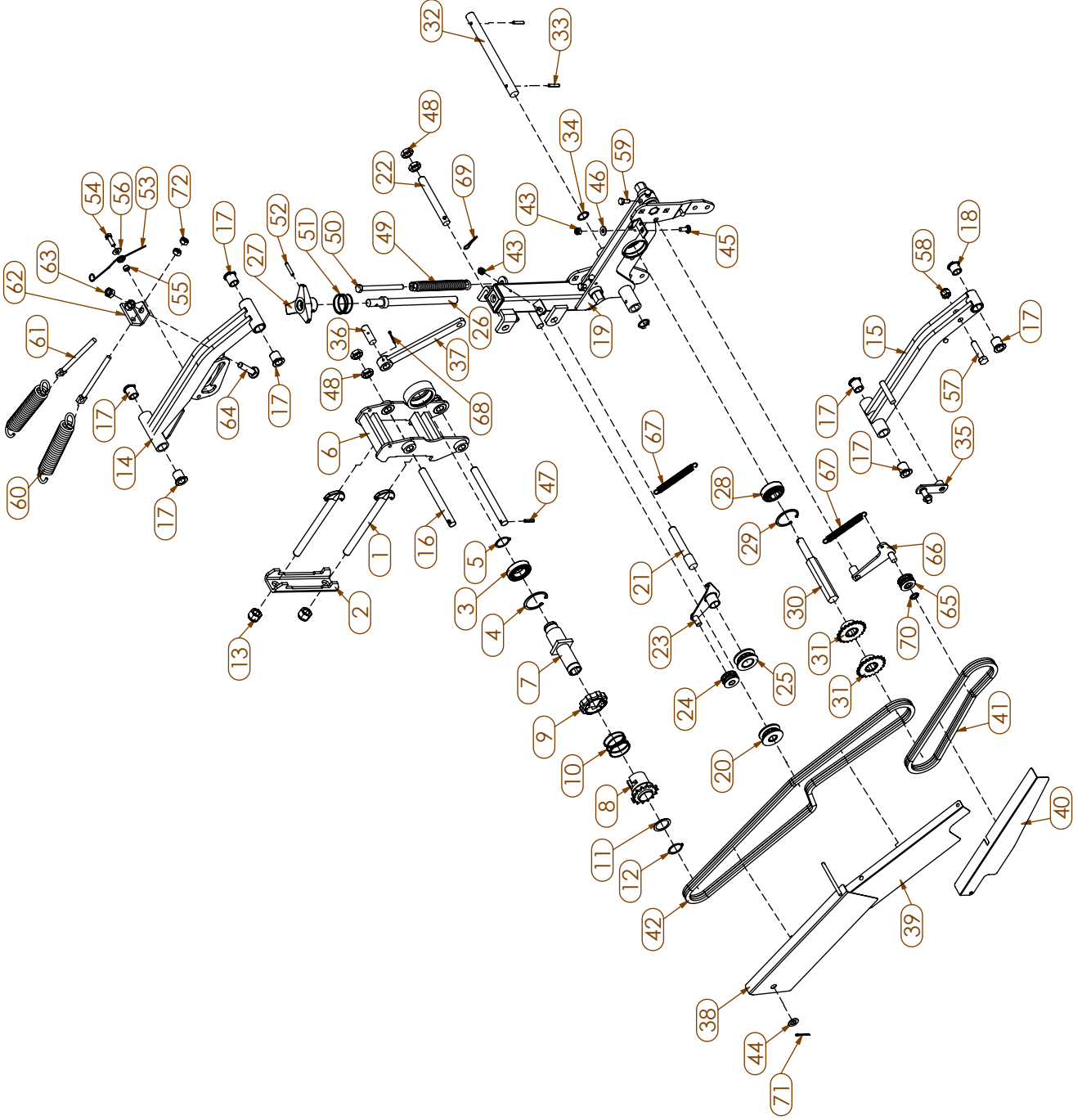


320 X 75 RUBBER
W/ CAST IRON HUB



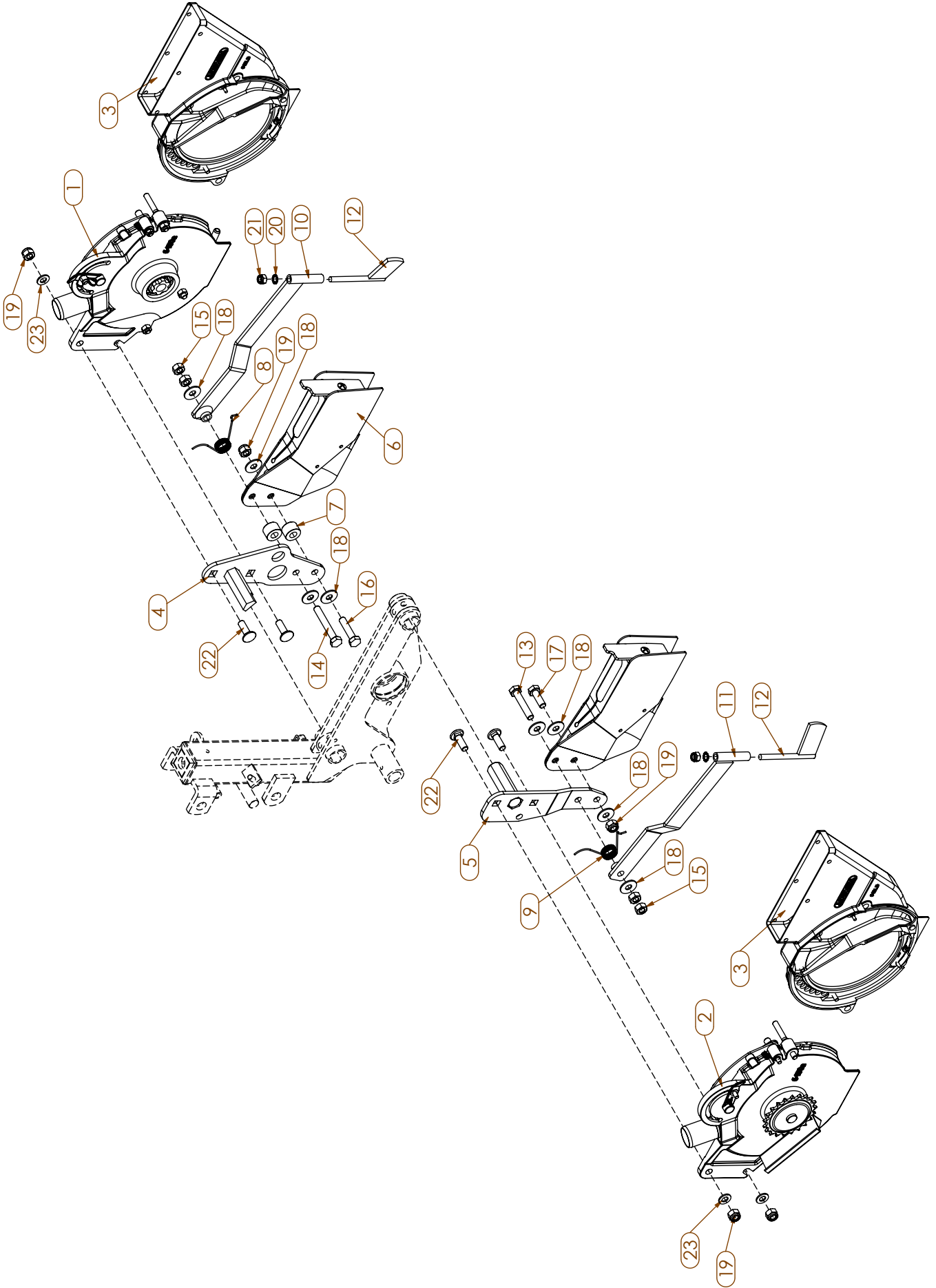
250 X 70
STAINLESS STEEL

ITEM	PART NUMBER	DESCRIPTION
1	5697	WHEEL, 285 X 65 RUBBER
2	5648	PROTECTOR CAP
3	642913	WHEEL, CONCAVE CAST
4	5633.B	RIM HALF
5	6763.A	TIRE, MS CAST CONCAVE
6	11560	SELF LUBRICATING BEARING, 20 X 26
7	10620063	WASHER, FLAT, 8.5 X 16 X 1.5
8	HM-2835	HEX. BOLT, 8 X 35, G8.8
9	NM-1801	NUT, HEX, 8mm, G8.8
10	5625.1	STAINLESS WHEEL, 250 X 70
11	5626	ROLLER BEARING, 70MM



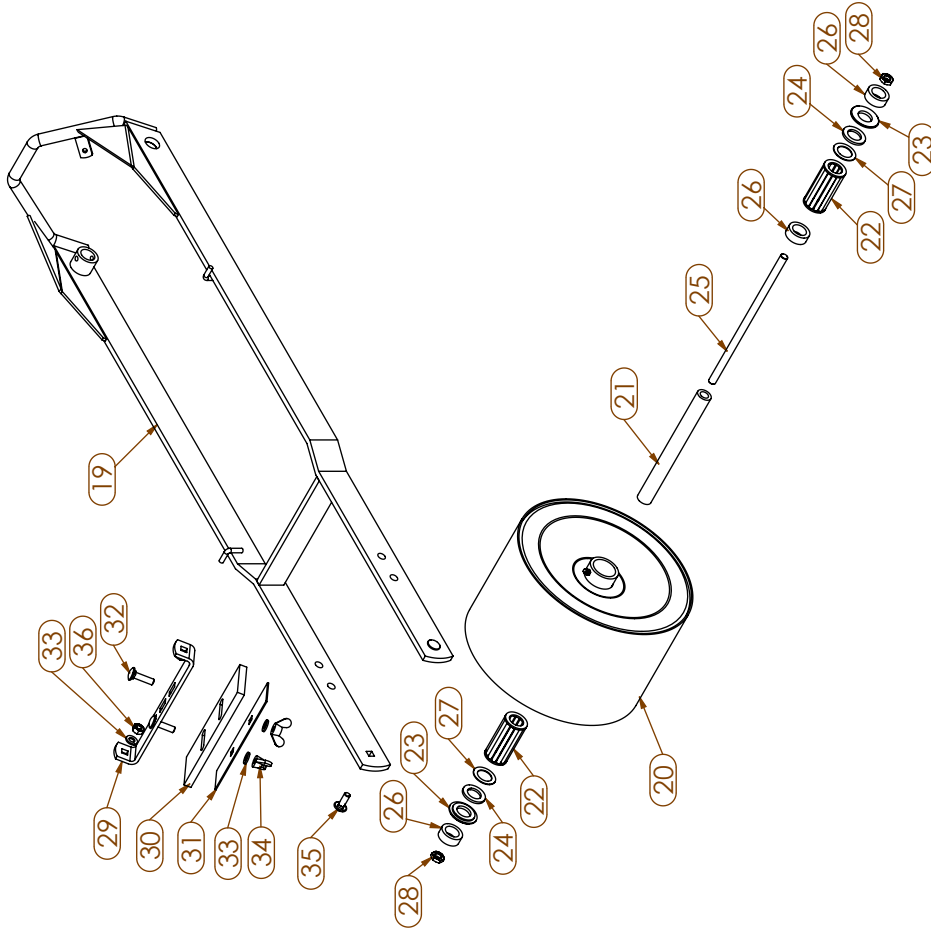
ITEM	PART NUMBER	DESCRIPTION
1	6968.1	T-BOLT, 5/8"-11 X 7-15/16"
2	6969	CLAMP FACE, 5 X 5
3	11579	BEARING (30x55x13)
4	11580	SNAP RING (i55)
5	300600	SNAP RING 30mm
6	6480.1	UNIT HEAD, MS-D
7	6482.1	DECLUTCHING TUBE, MS-D
8	6481	HEAD DRIVE SPROCKET, 14T
9	5347	HANDWHEEL
10	6346.A	SPRING
11	10624014	FLAT WASHER - 31 X 41 X 1
12	300600	SNAP RING 30mm
13	NM-51605	NUT, NYLOCK, 16mm, G8.8
14	6478.1	UPPER LINKAGE ARM, MS-D
15	6477.1	LOWER LINKAGE ARM, MS-D
16	6965	LINKAGE PIN, FRONT MS
17	5021	SELF LUBRICATING BUSHING (B25)
18	5021	SELF LUBRICATING BUSHING (B21)
19	6496.1	CENTRAL BLOCK, MS-D
20	7096	ROLLER
21	6476	STEPPED PIN, 16 X 85mm
22	11106	LINKAGE PIN, UPPER BACK, MS-D
23	6474.1	CHAIN TENSIONER PULLEY - MS D
24	9562	CHAIN ROLLER
25	6273	IDLER ROLLER 25MM ID
26	6475	DEPTH ADJUSTMENT SCREW
27	7083	KNOB
28	4659	BEARING, [205KRR2]
29	4660	SNAP RING, INTERNAL 52MM
30	6566	SHAFT, REAR METER, MS-D
31	6567	SPROCKET, MS-D, 21 T
32	6575	SHAFT FOR REAR FRAME, MS-D
33	10172091	ROLL PIN, 6 X 30
34	10622097	WASHER, 20.5 X 27 X 1
35	6492	ARTICULATED HOUSING BRACKET
36	7184	CENTER HOLE PIN, 16 X 45mm

ITEM	PART NUMBER	DESCRIPTION
37	6479	LOCKING HOOK
38	6491	UPPER CHAIN GUARD
39	6576	INTERMEDIATE CHAIN GUARD
40	6577	LOWER CHAIN GUARD
41	5650.A	CHAIN, 5R, 68 PITCH
42	6518	CHAIN, 5R, 120 PITCH
43	NM-1812	NUT, NYLOCK, 8mm, G8.8
44	10621032	WASHER, FLAT, 13 X 24 X 2
45	10561055	CARR. BOLT, 8 X 22mm, CL8.8
46	10620064	WASHER, 8.5 X 16 X 2MM
47	10172090	ROLL PIN, 6 X 25mm
48	NM-51603	NUT, HEX, JAM, 16mm, G8.8
49	65009354	SRRING W/ NUT
50	HM-510120	HEX, BOLT, 10 X 120, G10.9
51	4311	SPRING, SLIP CLUTCH
52	10172092	ROLL PIN, 6 X 35mm
53	7156	LOCK UP SPRING - MS
54	HM-2825	HEX, BOLT, 8 X 25, G8.8
55	7155	BUSHING, 8 X 13 X 7mm
56	10620069	WASHER, FLAT, 8.5 X 20 X 1.5
57	HM-61250	HEX, BOLT, 12 X 50, G10.9
58	NM-31205	NUT, NYLOCK, 12mm, G8.8
59	H-2075	BOLT, HEX, 5/16"-18 X 3/4" G5
60	7033	DOWN PRESSURE SPRING
61	7071.1	ADJUSTMENT ROD, 10MM FOR MS
62	6525	BRACKET, UP PRESSURE SPRING
63	NM-31201	NUT, HEX, 12mm, G8.8
64	CBM-41260	M12 X 60MM CARR BOLT 8.8Z
65	9562.1	CHAIN ROLLER W/ COUNTERBORE
66	6569.1	CHAIN TENSIONER
67	5501	SPRING (R125)
68	10170035	SPLIT PIN, 3.5 X 45mm
69	7091	HITCH PIN CLIP
70	5654	STOP SNAP RING, 12MM
71	10170031	SPLIT PIN, 3.5 X 25mm
72	NM-21011	NUT, HEX, 10mm, G8.8

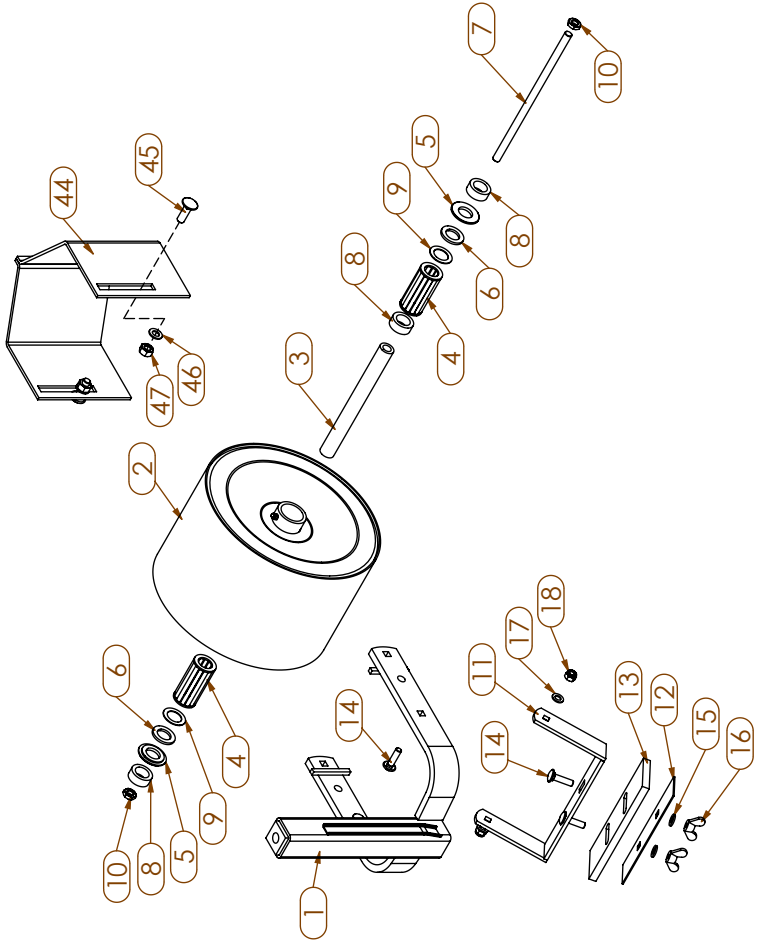


ITEM	PART NUMBER	DESCRIPTION
1	6450.1CO	FRONT MD-D METER, COMPLETE
2	6450.ACO	MS METER BOX, COMPLETE
3	6451.CCO	COVER, MS METER, COMPLETE
4	6564	FRONT METER CARRIER, MS-D
5	6565	REAR METER CARRIER, MS-D
6	6500	SHOE, MS STD POINT
7	6572	BUSHING, 12 X 25 X 16MM
8	6553.D	PRESSURE SPRING, R
9	6553.G	PRESSURE SPRING, L
10	6571.A	RIGHT HARD HILLER, MS - D
11	6570.A	LEFT HARD HILLER, MS - D
12	6573	HILLER BLADE
13	HM-41055	HEX. BOLT, 10 X 55, G8.8
14	HM-41070	HEX. BOLT, 10 X 70, G8.8
15	NM-21011	NUT, HEX, 10mm, G8.8
16	HM-41045	HEX. BOLT, 10 X 45, G8.8
17	HM-41030	HEX. BOLT, 10 X 30, G8.8
18	10620095	WASHER, 10.5 X 27 X 2
19	NM-21015	NUT, NYLOCK, 10mm, G8.8
20	10629009	WASHER, ET LOCK, 8mm
21	NM-1812	NUT, NYLOCK, 8mm, G8.8
22	CBM-31030	CARR. BOLT, 10 X 30mm, CL8.8
23	10620089	WASHER, FLAT, 10.5 X 20 X 2

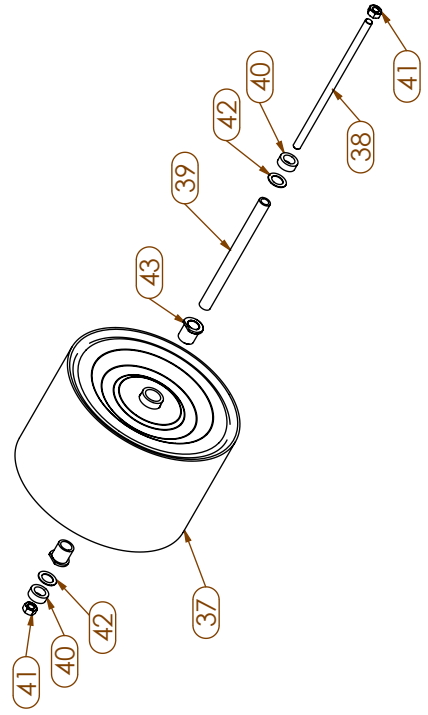
REAR STAINLESS 250 X 170



FRONT STAINLESS 250 X 170

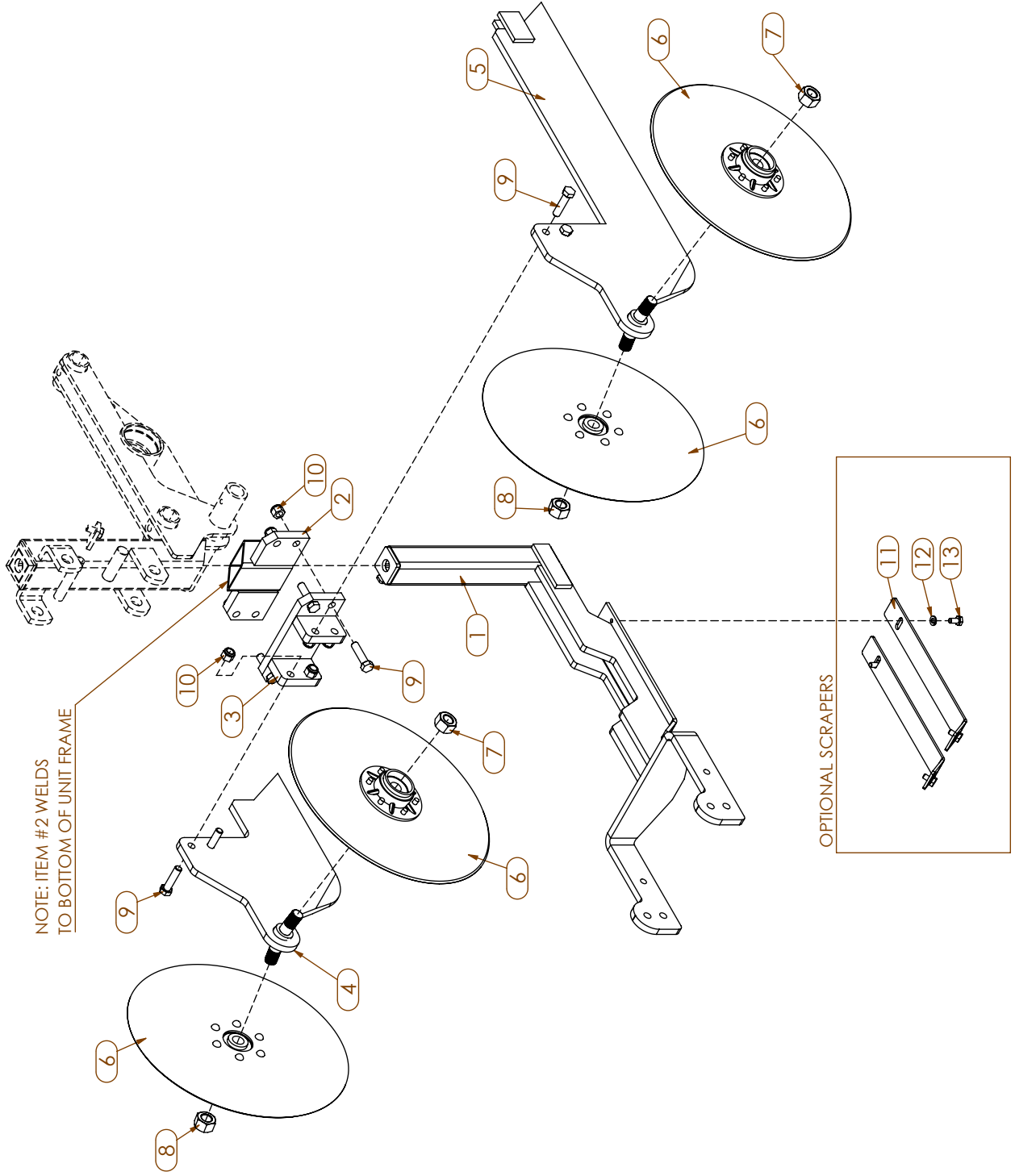


RUBBER 250 X 170 OPTION FRONT AND REAR

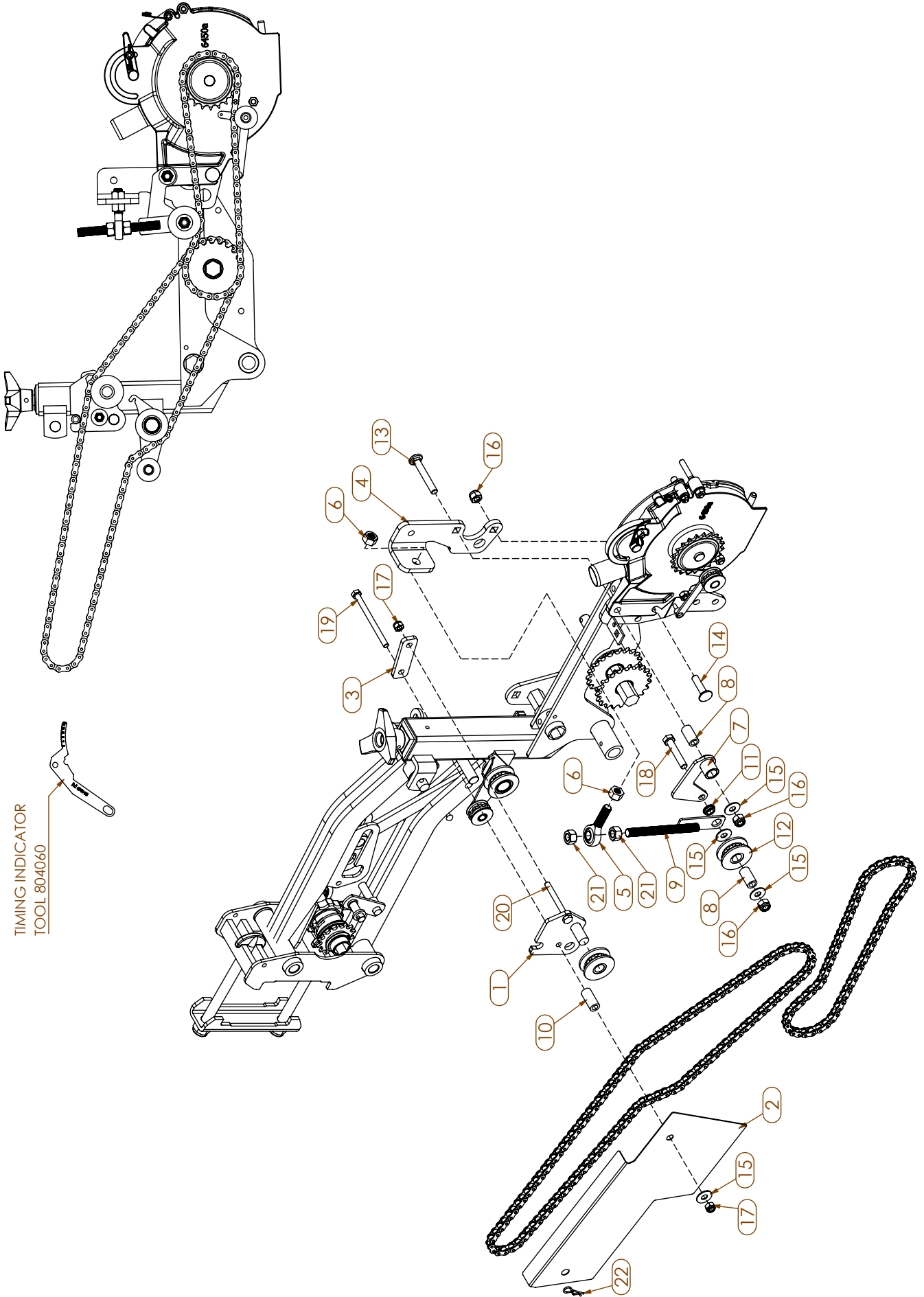


ITEM	PART NUMBER	DESCRIPTION
1	6562.A	WHEEL BRACKET VERSION "D"
2	6581.A	SS WHEEL, 250 X 170
3	6559.A	SHAFT, 11 X 20 X 195mm
4	5626	BEARING ROLLER, 32 X 20 X 71
5	6588	WASHER, SHOULDERED
6	6587	STAINLESS STEEL WHEEL RUBBER SEAL
7	6597	THREADED SHAFT, 10 X 235
8	7174	SPACER, 30 X 20 X 12
9	10623009	WASHER, FLAT, 21 X 32 X 1
10	NM-21010	NUT, HEX, JAM, 10mm, G8.8
11	6589	BRACKET, FRONT SCRAPER MS VER D
12	6534.B	PLATE, SS PLATE 250 X 170MM
13	6533.B	SCRAPER, SS WHEEL 250 X 170 MM
14	CBM-2830	CARR. BOLT, 8 X 30mm, CL8.8
15	10620025	WASHER, 8 X 16 X 2MM
16	6795	WING NUT, 8mm
17	W-1410	WASHER, FLAT, 5/16" SAE G8
18	NM-1812	NUT, NYLOCK, 8mm, G8.8
19	6574.A	REAR WHEEL CARRIER FRAME, VERSION D
20	6581.A	SS WHEEL, 250 X 170
21	6559.A	SHAFT, 11 X 20 X 195mm
22	5626	BEARING ROLLER, 32 X 20 X 71
23	6588	WASHER, SHOULDERED
24	6587	STAINLESS STEEL WHEEL RUBBER SEAL
25	6597	THREADED SHAFT, 10 X 235
26	7174	SPACER, 30 X 20 X 12
27	10623009	WASHER, FLAT, 21 X 32 X 1
28	NM-21010	NUT, HEX, JAM, 10mm, G8.8
29	6579.A	6579.A
30	6533.B	SCRAPER, SS WHEEL 250 X 170 MM

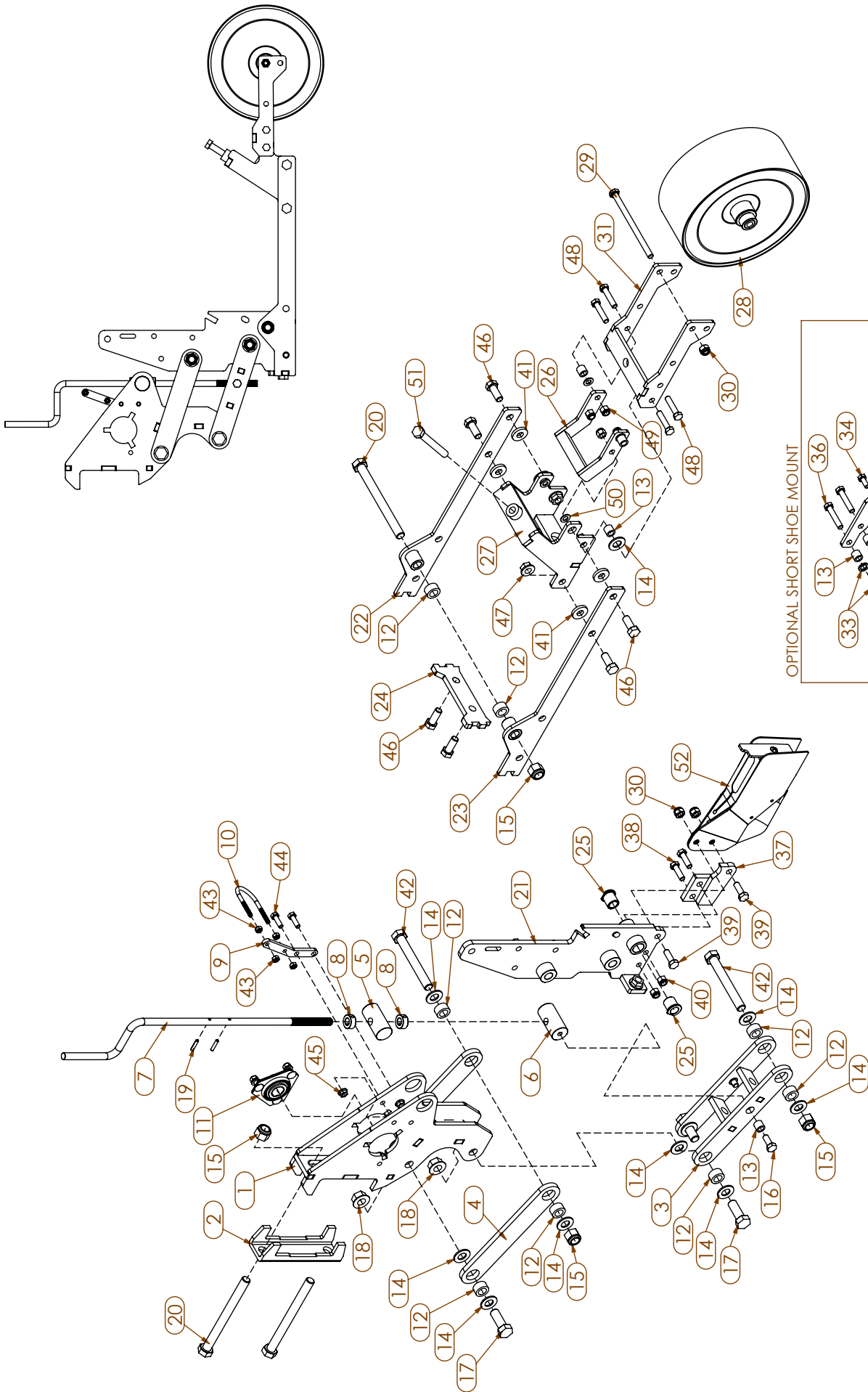
ITEM	PART NUMBER	DESCRIPTION
31	6534.B	PLATE, SS PLATE 250 X 170MM
32	CBM-2830	CARR. BOLT, 8 X 30mm, CL8.8
33	10620025	WASHER, 8 X 16 X 2MM
34	6795	WING NUT, 8mm
35	10561055	CARR. BOLT, 8 X 22mm, CL8.8
36	NM-1801	NUT, HEX, 8mm, G8.8
37	6612	RUBBER PRESS WHEEL, 250 X 170
38	6597	THREADED SHAFT, 10 X 235
39	6558.A	SHAFT, 11 X 16 X 195
40	4694	BUSHING, 16 X 25 X 10mm
41	NM-21011	NUT, HEX, 10mm, G8.8
42	10622024	WASHER, FLAT, 16.5 X 26 X 1
43	5021	SELF LUBRICATING BUSHING
44	6563.A	CLOD REMOVER, MS VER D 170MM
45	CBM-31030	CARR. BOLT, 10 X 30mm, CL8.8
46	W-2410	WASHER, FLAT, 3/8" SAE G8
47	NM-21011	NUT, HEX, 10mm, G8.8



ITEM	PART NUMBER	DESCRIPTION
1	800440	FRONT WHEEL BRACKET WA
2	800529.1	CENTRAL BLOCK WA
3	800529	MOUNTING BRACKET WA
4	800527	FRONT DISC MOUNT WA
5	800528	BACK OPENER WA
6	900264	OPENER DISC w/HUB, 12"
7	NM-51602	NUT, HEX, 16mm L, G8.8
8	NM-51601	NUT, HEX, 16mm, G8.8
9	H-3120	BOLT, HEX, 3/8"-16 X 1-1/2" G8
10	N-2101	NUT, NYLOCK 3/8"-16 G8
11	802631	PLATE, SCRAPER, WELDED MOUNT
12	W-0610	WASHER, SPLIT, 1/4", G8
13	H-1050	BOLT, HEX, 1/4"-20 X 1/2" G5

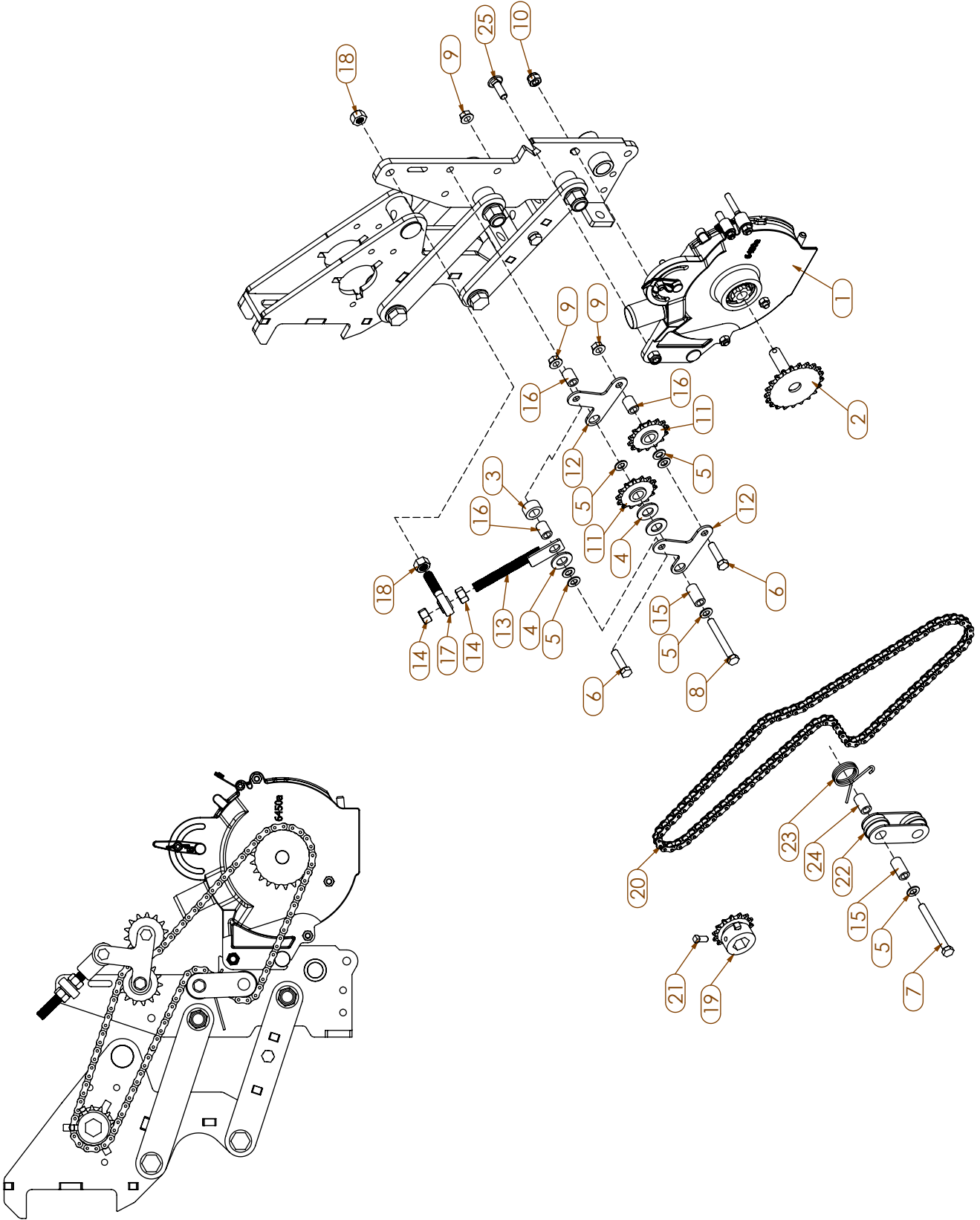


ITEM	PART NUMBER	DESCRIPTION
1	201020	ROLLER BRACKET, MS-D
2	803940	SHIELD, FRONT
3	803333	PLATE, COUNTER CLAMP
4	803935	PLATE, BALL JOINT MOUNT
5	300997	BALL JOINT, 1/2"
6	300998	NUT, HEX, 1/2-20 UNF, GR 8 YZ
7	201019	PIVOT ARM, WA
8	KD1026	BUSHING, .625" X 1.188"
9	200820	THREADED WA
10	803334	BUSHING, SPACER
11	803678	BUSHING, STEP
12	7096	ROLLER
13	CBM-31070	CARR. BOLT, 10 X 70mm, Cl8.8
14	CBM-31040	CARR. BOLT, 10 X 40mm, Cl8.8
15	W-2210	WASHER, FLAT, 3/8" USS G8
16	NM-21015	NUT, NYLOCK, 10mm, G8.8
17	NM-1812	NUT, NYLOCK, 8mm, G8.8
18	HM-41055	HEX. BOLT, 10 X 55, G8.8
19	HM-38110	HEX. BOLT, 8 X 110, G8.8
20	HM-2875	HEX. BOLT, 8 X 75, G8.8
21	N-4001	NUT, HEX, 1/2"-13, G8
22	7091	HAIR PIN

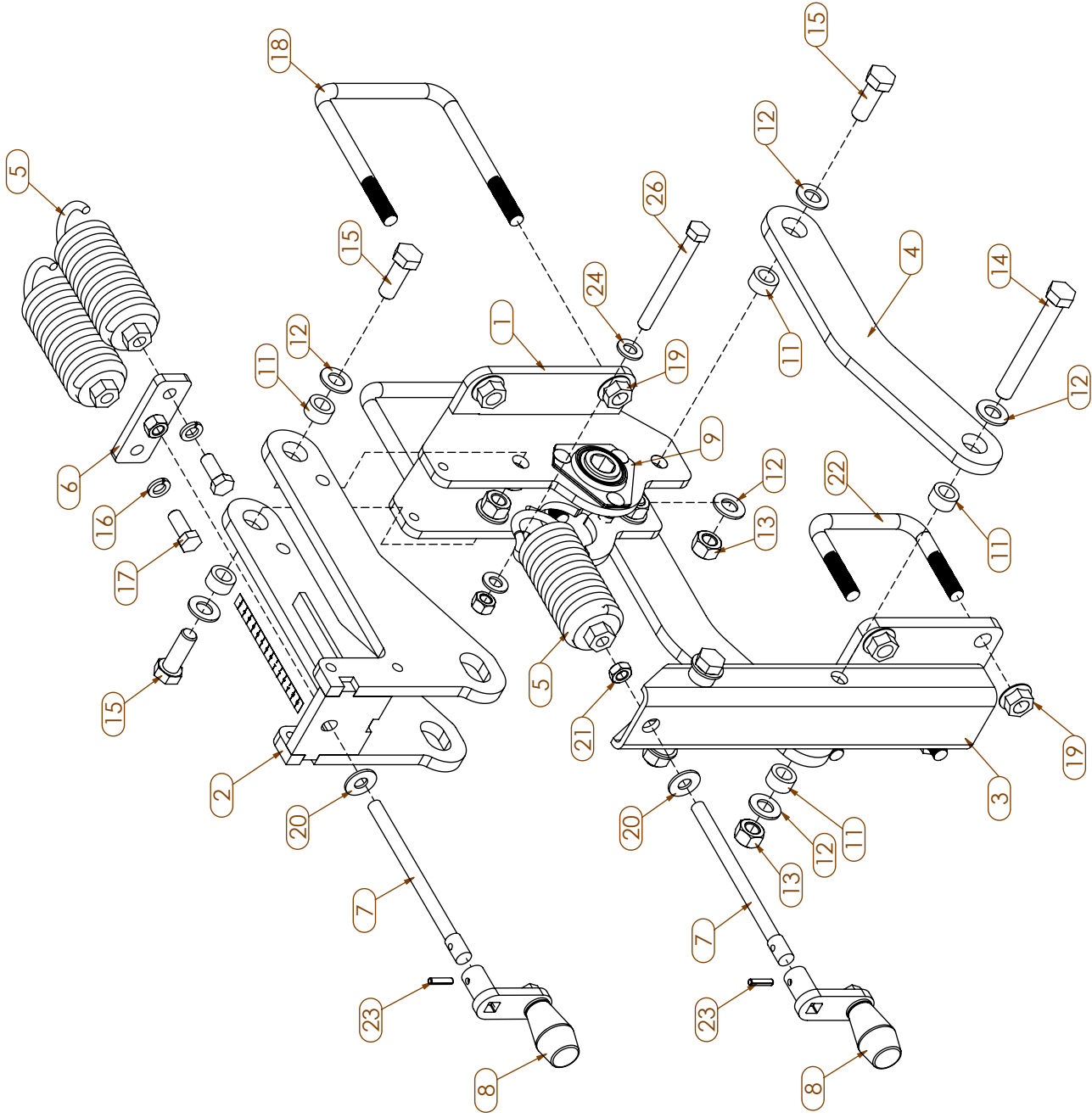


ITEM	PART NUMBER	DESCRIPTION
1	201209	BRACKET, MS-G 5X5 MOUNT
2	6969	5 X 5 CLAMP
3	201210	MS LOWER ARM
4	804414	LINK ARM, TOP
5	804419	ROD, PIVOT TOP
6	804420	ROD, PIVOT LOWER
7	804418	CRANK HANDLE
8	803639	COLLAR, SHAFT STOP
9	804429	VAC HOSE BRACKET
10	301210	U-BOLT, 1-3/4" ID ROUND
11	180039	BEARING, COMPLETE w/ FLANGE
12	L71505214	BUSHING, 1"
13	KD2971-10	SPACER, .625 X .406 X .562
14	W-5410	WASHER, FLAT, 5/8" SAE G8
15	N-5101	NUT, NYLOCK, 5/8"-11 G8
16	HM-41025	HEX, BOLT, 10 X 25, G8.8
17	H-5130	BOLT, HEX, 5/8"-11 X 1-3/4" G8
18	N-5401	NUT, FLANGE, 5/8"-11
19	301090	ROLL PIN, 5 X 24MM
20	H-5701	BOLT, HEX, 5/8"-11 X 7" G8
21	201211	METER MOUNT
22	201212	SIDE ARM WA, RIGHT
23	201215	SIDE ARM WA, LEFT
24	804425	PLATE, RIGID KEEPER
25	5021.2	BUSHING
26	201319	REAR PRESS STOP WA
27	201318	MOUNT, CNTR REAR PRESS ADJ
28	642910	MS-A SS REAR WHEEL 250X105 ASY
29	30512032	HEX. BOLT, 10 X 160
30	NM-21015	NUT, NYLOCK, 10mm, G8.8

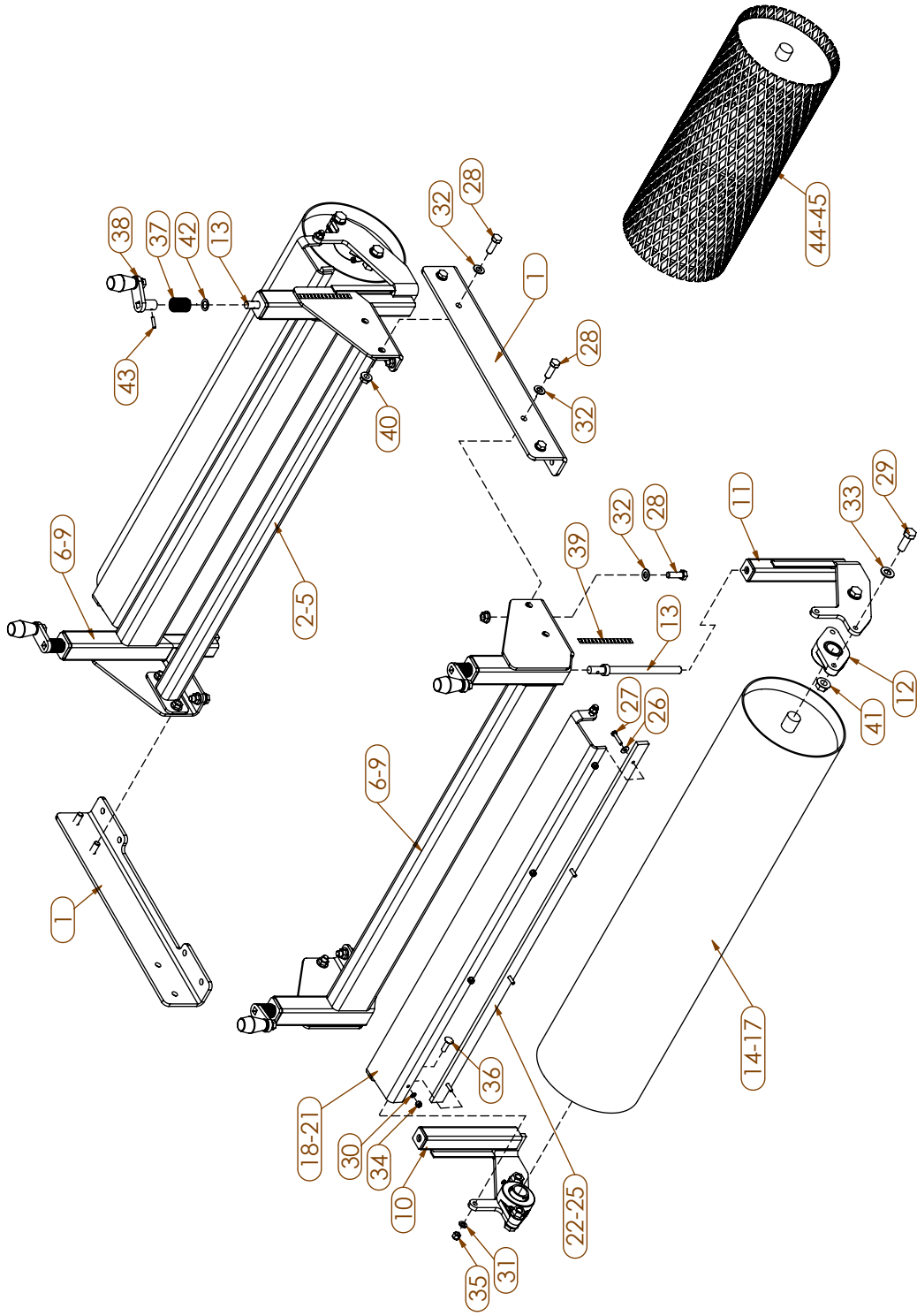
ITEM	PART NUMBER	DESCRIPTION
31	201213	BRACKET, PRESS WHEEL
32	804440	PLATE, SHORT SHOE MOUNT
33	301211	ROUND SHIM, .5 ID X .093 THICK
34	HM-2820	HEX, BOLT, 8 X 20, G8.8
35	N-2301	NUT, SER. FLANGE, 3/8"-16
36	H-3200	BOLT, HEX, 3/8"-16 X 2" G8
37	201219	STD SHOE MOUNT, MS-G
38	H-3104	BOLT, HEX, 3/8"-16 X 1-1/4"
39	HM-41030	HEX. BOLT, 10 X 30, G8.8
40	N-2101	NUT, NYLOCK 3/8"-16 G8
41	10621055	WASHER, FLAT, 13 X 30 X 5
42	H-5501	BOLT, HEX, 5/8"-11 X 5" G8
43	N-0601	NUT, HEX, 1/4-20, G8
44	H-2100	BOLT, HEX, 5/16"-18 X 1" G5
45	N-1110	NUT, SER. FLANGE, 5/16"-18
46	H-4111	BOLT, HEX, 1/2"-13 X 1-1/4" G5
47	N-4201	NUT, SER. FLANGE, 1/2"-13
48	H-3130	BOLT, HEX, 3/8"-16 X 1-3/4" G8
49	N-2100	NUT, NYLOCK 3/8"-16 G5
50	W-2410	WASHER, FLAT, 3/8" SAE G8
51	H-4401	BOLT, HEX, 1/2"-13 X 4" G8
52	6500	SHOE, MS STD POINT



ITEM	PART NUMBER	DESCRIPTION
1	6450.1CO	FRONT MS-D METER, COMPLETE
2	200922	MS METER SPROCKET, #41, 21T
3	L71505214	BUSHING, 1"
4	W-5410	WASHER, FLAT, 5/8" SAE G8
5	W-2410	WASHER, FLAT, 3/8" SAE G8
6	H-3120	BOLT, HEX, 3/8"-16 X 1-1/2" G8
7	H-3320	BOLT, HEX, 3/8"-16 X 3-1/2" G8
8	H-3309	BOLT, HEX, 3/8"-16 X 3" G5
9	N-2301	NUT, SER. FLANGE, 3/8"-16
10	NM-21015	NUT, NYLOCK, 10mm, G8.8
11	301213	SPROCKET, 14T, .65 ID
12	804421	PLATE, SYNC ADJUST SPROCKET LINK
13	201217	THREADED SYNC ADJUSTER WA
14	N-4001	NUT, HEX, 1/2"-13, G8
15	KD1026	BUSHING, .625" X 1.188"
16	804446	SPACER, .63 OD X .813 L
17	300997	BALL JOINT, 1/2"
18	300998	NUT, HEX, 1/2-20 UNF, GR 8 YZ
19	301214	SPROCKET, 14T, HEX FRONT
20	301212	CHAIN, #41, 100 PITCHES
21	F0172001	SCREW, SQ. HD., 5/16"-18 X 5/8"
22	KD11962	IDLER, #41 CHAIN
23	KD11219.R	TORSION SPRING, R
24	804447	SPACER, .63 OD X 1.0 L
25	CBM-31030	CARR. BOLT, 10 X 30mm, Cl.8.8

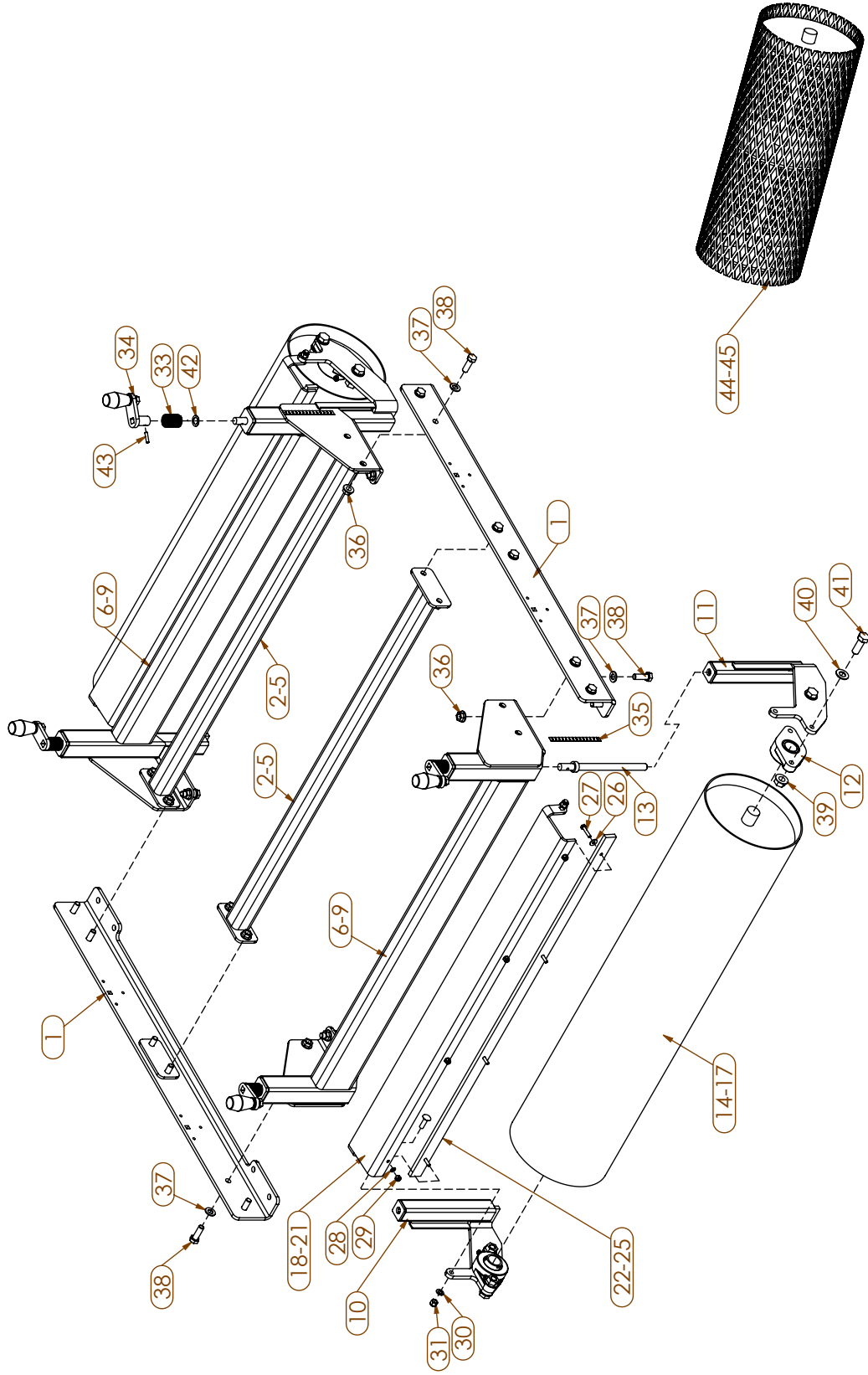


ITEM	PART NUMBER	DESCRIPTION
1	200901	CLAMPFACE WA
2	200902	TOP LINKAGE WA
3	200903	REAR LINKAGE ADAPTER
4	803532	PLATE, BOTTOM LINKAGE
5	KA2068	HD SPRING
6	800309	SPRING PLATE WA
7	803683	SHAFT, SPRING ADJUST
8	100511	HAND CRANK ASM
9	180039	BEARING, COMPLETE w/ FLANGE
10	ST014	STICKER SEED DEPTH MS
11	L71505214	BUSHING, 1"
12	W-5410	WASHER, FLAT, 5/8" SAE G8
13	N-5301	NUT, HEX, CL, 5/8"-11
14	H-5501	BOLT, HEX, 5/8"-11 X 5" G8
15	H-5130	BOLT, HEX, 5/8"-11 X 1-3/4" G8
16	W-4610	WASHER, SPLIT, 1/2", G8
17	H-4111	BOLT, HEX, 1/2"-13 X 1-1/4" G5
18	4502.SS	U-BOLT, 5 X 5 X 5/8
19	N-5401	NUT, FLANGE, 5/8"-11
20	W-4210	WASHER, FLAT, 1/2" USS G8
21	N-4501	NUT, HEX, JAM, 1/2"-13
22	300822	U-BOLT, 4 X 2 X 5/8"-11
23	10172090	ROLL PIN, 6 X 25mm
24	W-4410	WASHER, FLAT, 1/2" SAE G8
25	N-4301	NUT, HEX, CL, 1/2"-13
26	H-4430	BOLT, HEX, 1/2"-13 X 4-3/4" G8



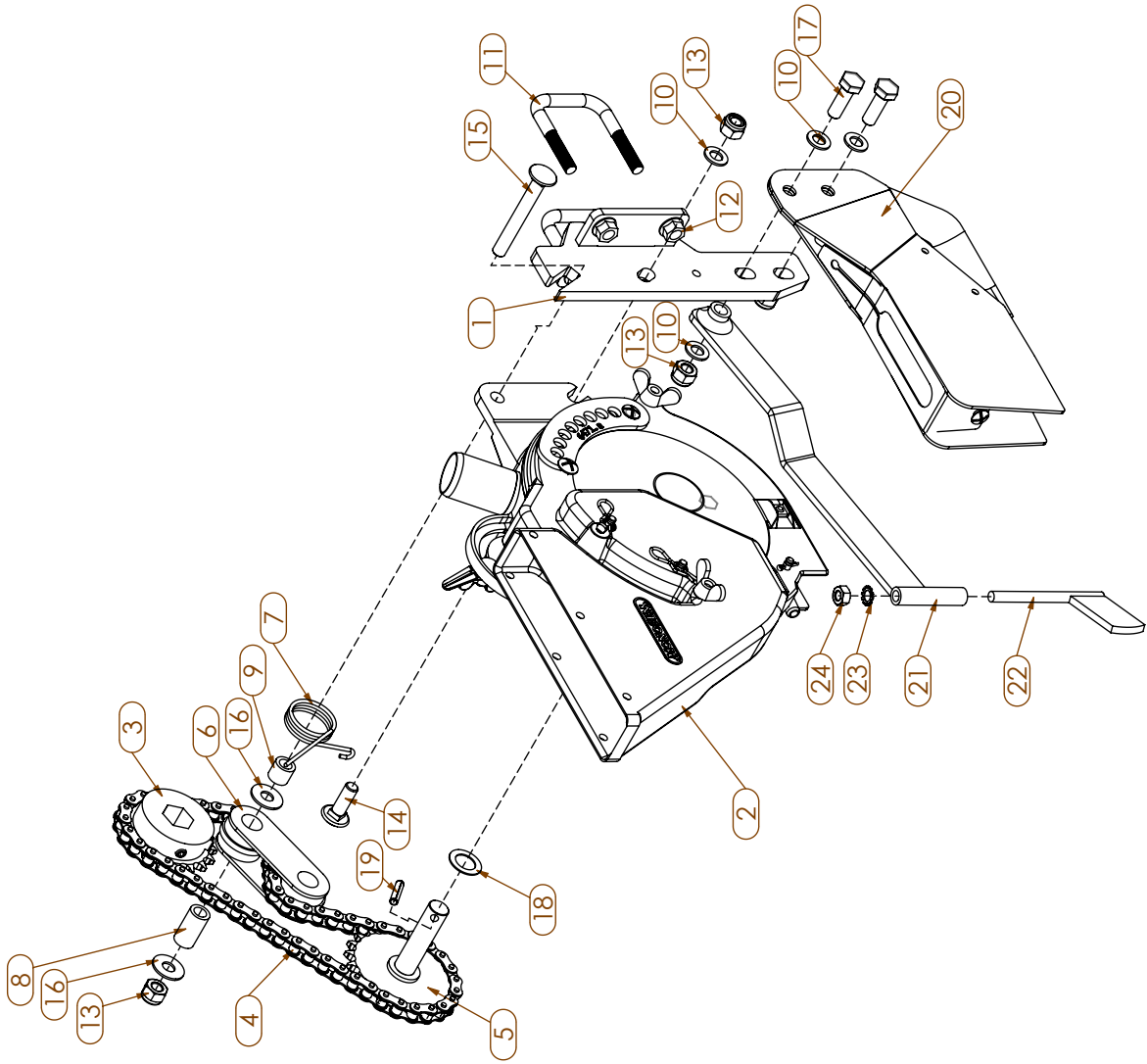
ITEM	PART NUMBER	DESCRIPTION
1	804046	PLATE, SIDE RAIL - 1 HEX
2	200904	METER MNT CROSS TUBE WA - 40" BED
3	200944	METER MNT CROSS TUBE WA - 60" BED
4	201110	METER MNT CROSS TUBE WA - 72" BED
5	200945	METER MNT CROSS TUBE WA - 80" BED
6	200907	DEPTH ADJ. WA. - 40" BED
7	200942	DEPTH ADJ. WA. - 60" BED
8	201109	DEPTH ADJ. WA. - 72" BED
9	200943	DEPTH ADJ. WA. - 80" BED
10	200906	ROLLER MNT ARM R WA
11	200905	ROLLER MNT ARM L WA
12	300136	FLANGED BEARING 1-1/4" ID
13	6475	DEPTH ADJUSTMENT SCREW
14	200909	BED ROLLER WA - 40" BED
15	200946	BED ROLLER WA - 60" BED
16	201111	BED ROLLER - 72" BED
17	200947	BED ROLLER WA - 80" BED
18	804172	FORMED PLATE, SCRAPER - 40" BED
19	804174	FORMED PLATE, SCRAPER - 60" BED
20	804148	FORMED PLATE, SCRAPER - 72" BED
21	804047	FORMED PLATE, SCRAPER - 80" BED
22	804173	UHMW, 1.25 X 24.75 X .375 - 40" BED
23	804175	UHMW, 1.25 X 44.75 X .375 - 60" BED
24	804149	UHMW, 1.25 X 56.75 X .375 - 72" BED
25	804048	UHMW, 1.25 X 64.25 X .375 - 80" BED
26	W-0210	WASHER, FLAT, 1/4" USS G8
27	H-1110	BOLT, HEX, 1/4"-20 X 1-1/4" G5
28	H-4120	BOLT, HEX, 1/2"-13 X 1-1/2" G8
29	H-5130	BOLT, HEX, 5/8"-11 X 1-3/4" G8

ITEM	PART NUMBER	DESCRIPTION
30	W-0410	WASHER, FLAT, 1/4" SAE G8
31	W-2410	WASHER, FLAT, 3/8" SAE G8
32	W-4410	WASHER, FLAT, 1/2" SAE G8
33	W-5410	WASHER, FLAT, 5/8" SAE G8
34	N-0610	NUT, NYLOCK 1/4"-20
35	N-2101	NUT, NYLOCK 3/8"-16 G8
36	CB-2214	BOLT, CARR., 3/8"-16 X 1.25, G5
37	301050	COMPRESSION SPRING
38	100511	HAND CRANK ASM
39	ST014	STICKER SEED DEPTH MS
40	N-4201	NUT, SER. FLANGE, 1/2"-13
41	N-5401	NUT, FLANGE, 5/8"-11
42	10622024	WASHER, FLAT, 16.5 X 26 X 1
43	10172090	ROLL PIN, 6 X 25mm
44	200963	MESH BED ROLLER - 40" BED
45	201159	MESH BED ROLLER - 80" BED

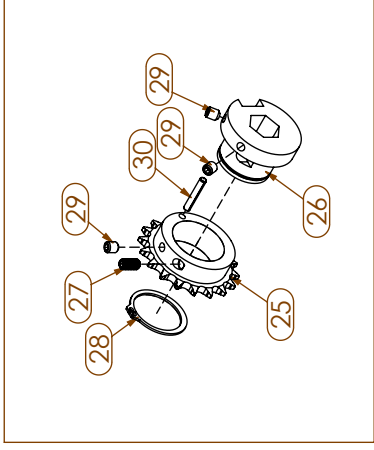


ITEM	PART NUMBER	DESCRIPTION
1	200908	SIDE RAIL WA. - 2 HEX
2	200904	METER MNT CROSS TUBE WA - 40" BED
3	200944	METER MNT CROSS TUBE WA - 60" BED
4	201110	METER MNT CROSS TUBE WA - 72" BED
5	200945	METER MNT CROSS TUBE WA - 80" BED
6	200907	DEPTH ADJ. WA. - 40" BED
7	200942	DEPTH ADJ. WA. - 60" BED
8	201109	DEPTH ADJ. WA. - 72" BED
9	200943	DEPTH ADJ. WA. - 80" BED
10	200906	ROLLER MNT ARM R WA
11	200905	ROLLER MNT ARM L WA
12	300136	FLANGED BEARING 1-1/4" ID
13	6475	DEPTH ADJUSTMENT SCREW
14	200909	BED ROLLER WA - 40" BED
15	200946	BED ROLLER WA - 60" BED
16	201111	BED ROLLER - 72" BED
17	200947	BED ROLLER WA - 80" BED
18	804172	FORMED PLATE, SCRAPER - 40" BED
19	804174	FORMED PLATE, SCRAPER - 60" BED
20	804148	FORMED PLATE, SCRAPER - 72" BED
21	804047	FORMED PLATE, SCRAPER - 80" BED
22	804173	UHMW, 1.25 X 24.75 X .375 - 40" BED
23	804175	UHMW, 1.25 X 44.75 X .375 - 60" BED
24	804149	UHMW, 1.25 X 56.75 X .375 - 72" BED
25	804048	UHMW, 1.25 X 64.25 X .375 - 80" BED
26	W-0210	WASHER, FLAT, 1/4" USS G8
27	H-1110	BOLT, HEX, 1/4"-20 X 1-1/4" G5
28	W-0410	WASHER, FLAT, 1/4" SAE G8
29	N-0610	NUT, NYLOCK 1/4"-20

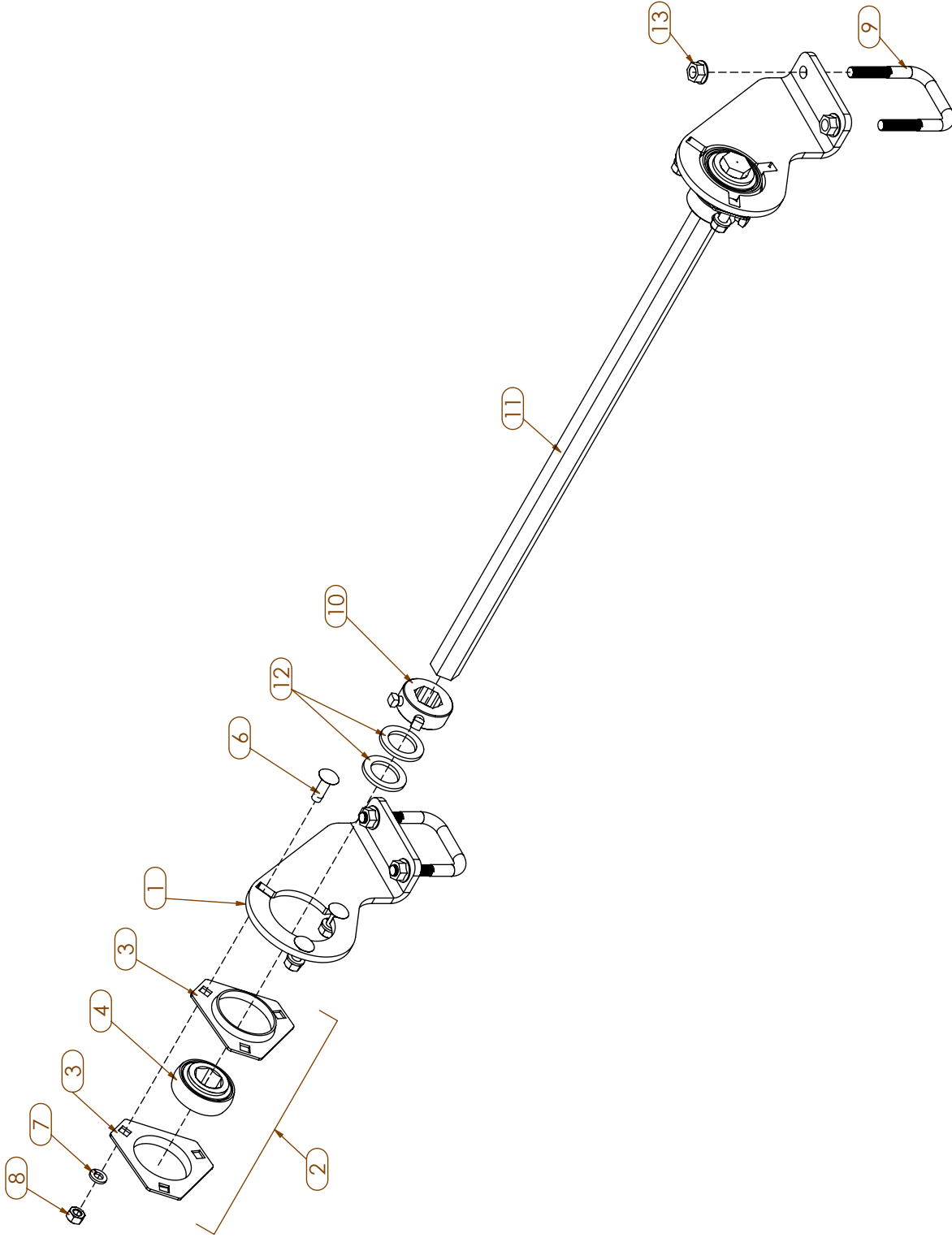
ITEM	PART NUMBER	DESCRIPTION
30	W-2410	WASHER, FLAT, 3/8" SAE G8
31	N-2101	NUT, NYLOCK 3/8"-16 G8
32	CB-2214	BOLT, CARR., 3/8"-16 X 1.25, G5
33	301050	COMPRESSION SPRING
34	100511	HAND CRANK ASM
35	ST014	STICKER SEED DEPTH MS
36	N-4201	NUT, SER. FLANGE, 1/2"-13
37	W-4410	WASHER, FLAT, 1/2" SAE G8
38	H-4120	BOLT, HEX, 1/2"-13 X 1-1/2" G8
39	N-5401	NUT, FLANGE, 5/8"-11
40	W-5410	WASHER, FLAT, 5/8" SAE G8
41	H-5130	BOLT, HEX, 5/8"-11 X 1-3/4" G8
42	10622024	WASHER, FLAT, 16.5 X 26 X 1
44	200963	MESH BED ROLLER WA - 40" BED
45	201159	MESH BED ROLLER WA - 80" BED



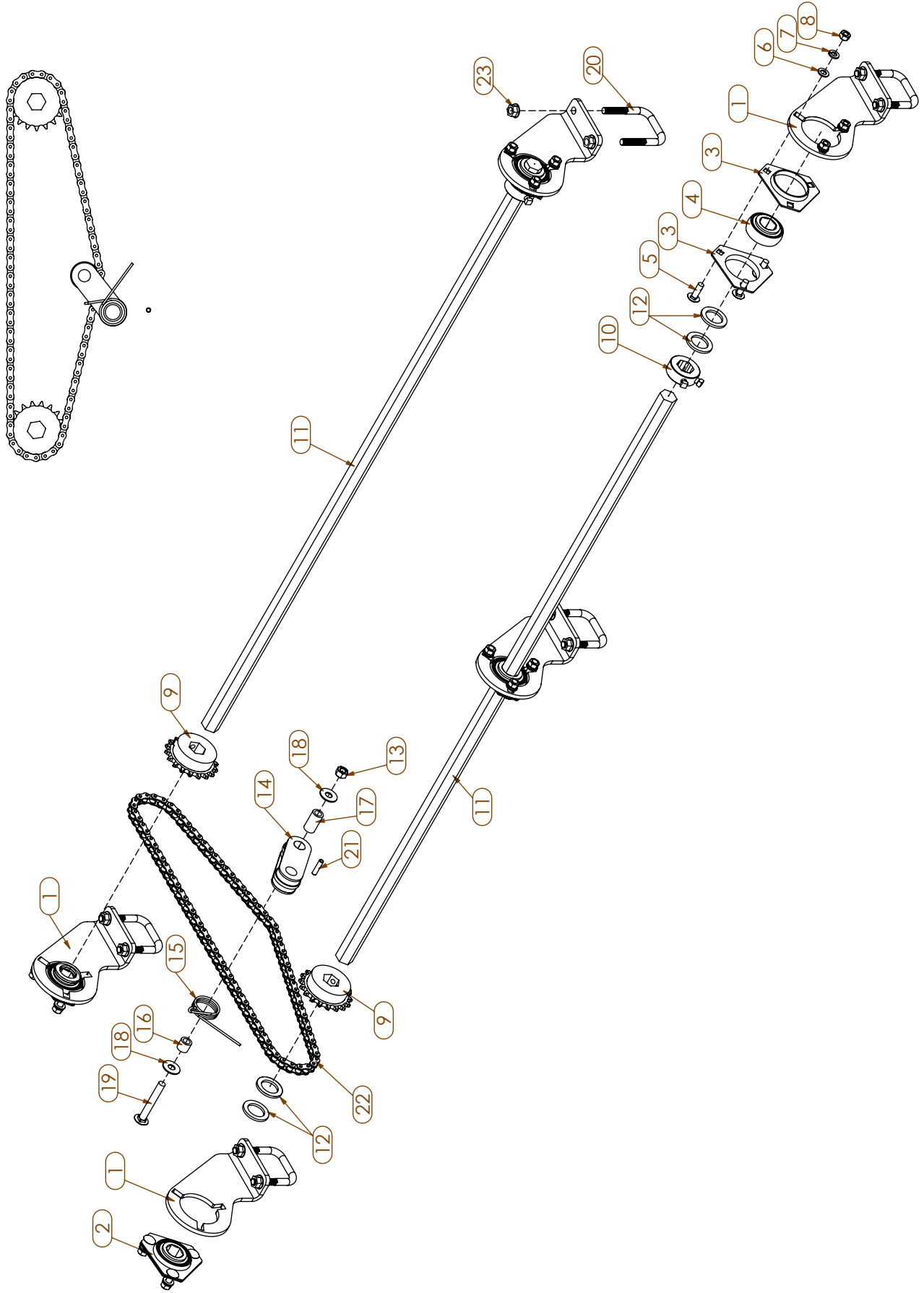
TIMING SPROCKET OPTION



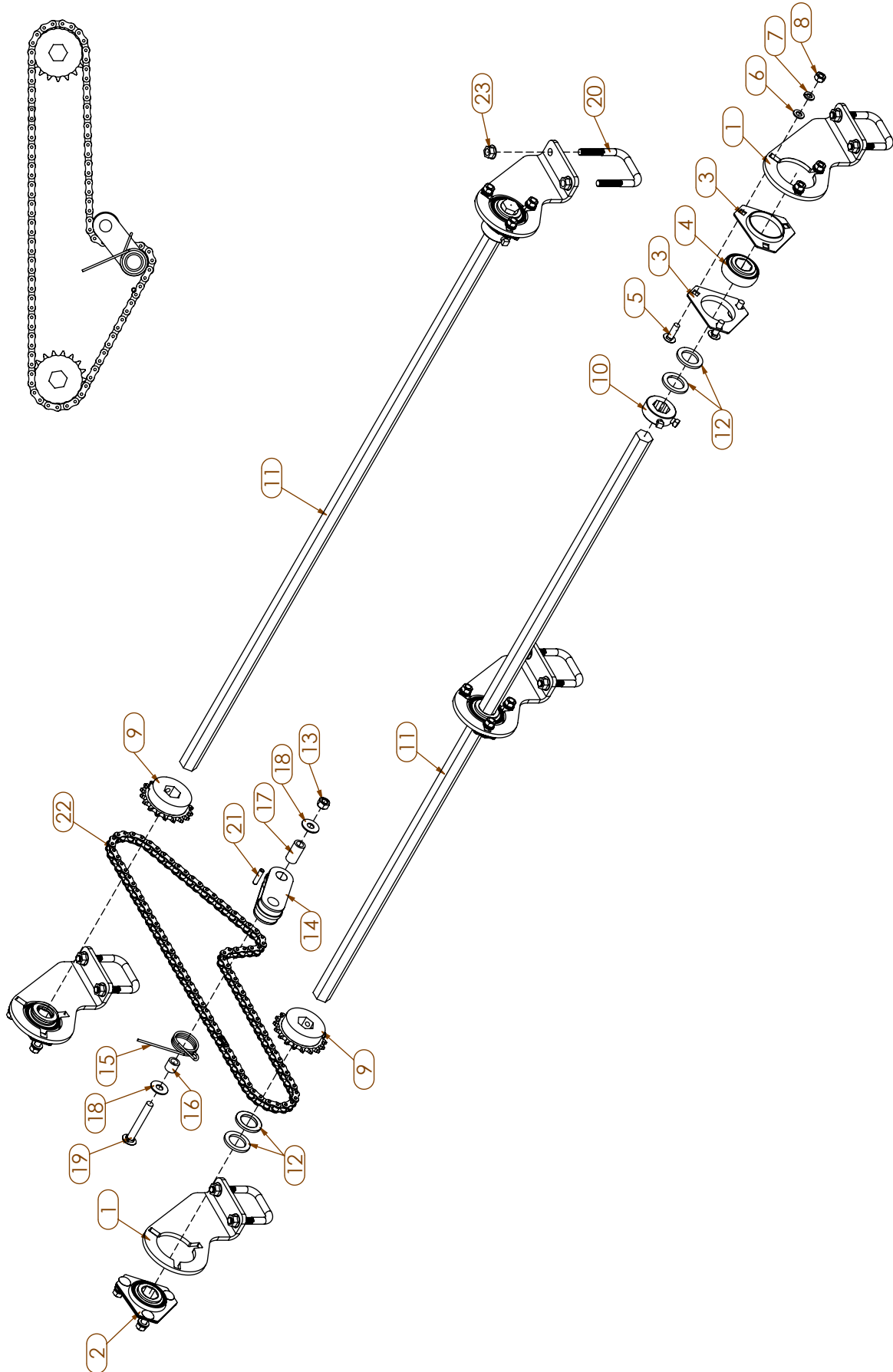
ITEM	PART NUMBER	DESCRIPTION
1	200910	MS METER MNT
2	653224	MS METER BOX, VER D FRONT, W/ COVER
3	G41B18	SPROCKET, #41, 18T
4	300506	CHAIN, #41 - 56 PITCHES
5	200922	MS METER SPROCKET, #41, 21T
6	KD11962	IDLER, #41 CHAIN
7	KD11219	TORSION SPRING, L
8	KD1026	BUSHING, .625" X 1.188"
9	KD2971-10	SPACER, .625 X .406 X .562
10	W-2410	WASHER, FLAT, 3/8" SAE G8
11	300823	U-BOLT, 2" X 2" X 3/8"
12	N-2301	NUT, SER. FLANGE, 3/8"-16
13	NM-21015	NUT, NYLOCK, 10mm, G8.8
14	CBM-31030	CARR. BOLT, 10 X 30mm, CL8.8
15	CBM-31080	CARR. BOLT, 10 X 80mm, CL8.8
16	W-2210	WASHER, FLAT, 3/8" USS G8
17	HM-41030	HEX, BOLT, 10 X 30, G8.8
18	10622024	WASHER, FLAT, 16.5 X 26 X 1
19	10172090	ROLL PIN, 6 X 25mm
20	6500	SHOE, MS STD POINT
21	6570,A	LEFT HARD HILLER, MS - D
22	6573	HILLER BLADE
23	10629009	WASHER, ET LOCK, 8mm
24	NM-1801	NUT, HEX, 8mm, G8.8
25	804101	SPROCKET, TIMING, #41, 18T
26	804100	HUB, TIMING, 7/8" HEX
27	301063	SET SCREW, 5/16-18 X 5/8" OVAL PNT
28	301064	SNAP-RING, 1-5/8" SHAFI
29	F1125437	SET SCREW, SH, 5/16"-18 X 3/8"
30	10172065	ROLL PIN, 5 X 30mm



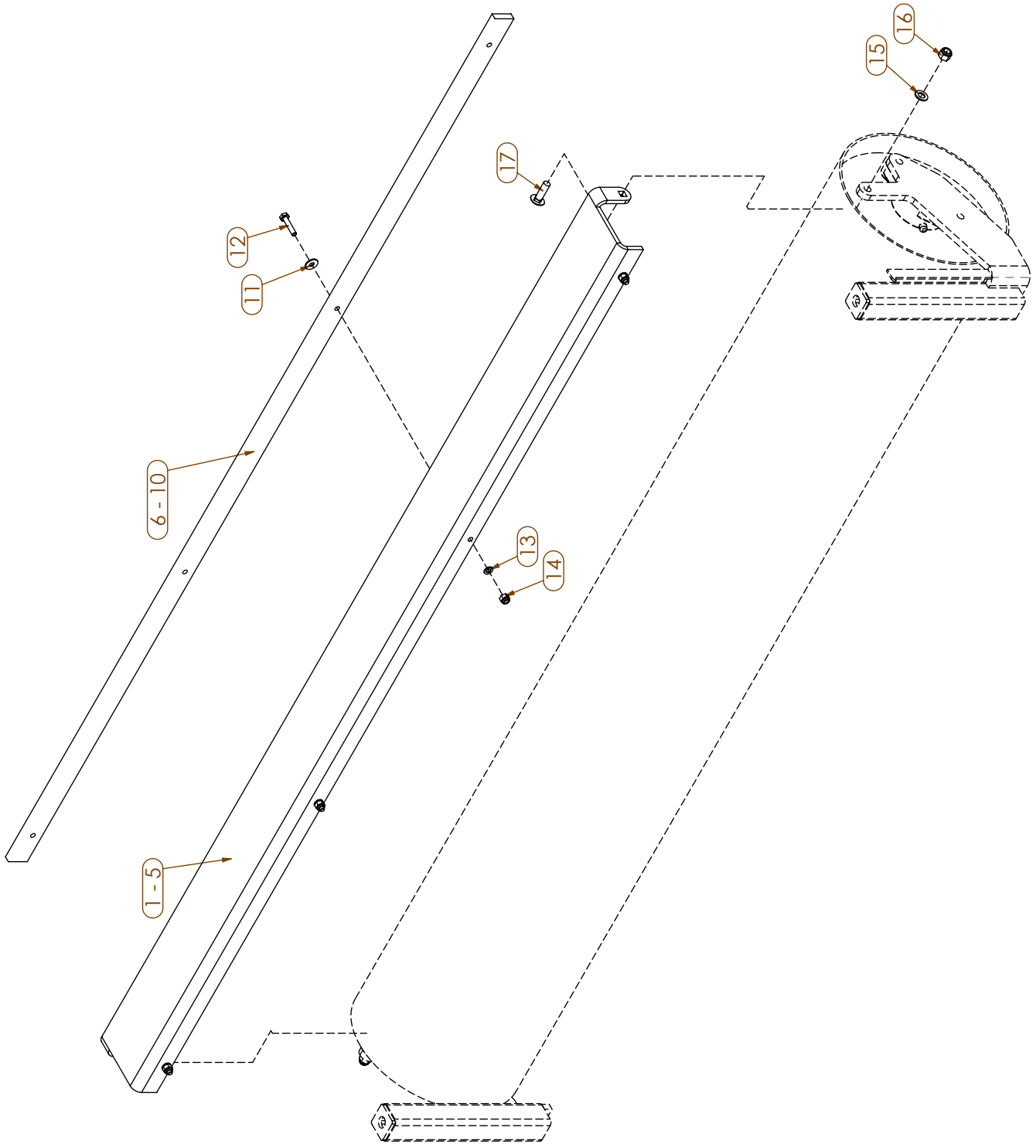
ITEM	PART NUMBER	DESCRIPTION
1	803540	PLATE, BENT - BEARING SUPPORT
2	180039	BEARING, COMPLETE w/ FLANGE
3	300596	FLANGETTE
4	300597	BEARING, 7/8" HEX
5	180058	HARDWARE KIT, FLANGE BEARING
6	CB-1110	BOLT, CARR., 5/16"-18 X 1.00, G5
7	W-1610	WASHER, SPLIT, 5/16", G8
8	N-1001	NUT, HEX, 5/16"-18, G5
9	300823	U-BOLT, 2" X 2" X 3/8"
10	100288	HEX STOP
11	301383	22MM HEX SHAFT PER FOOT
12	K10233	BUSHING, 1.50 X 1.00 X .125
13	N-2301	NUT, SER. FLANGE, 3/8"-16



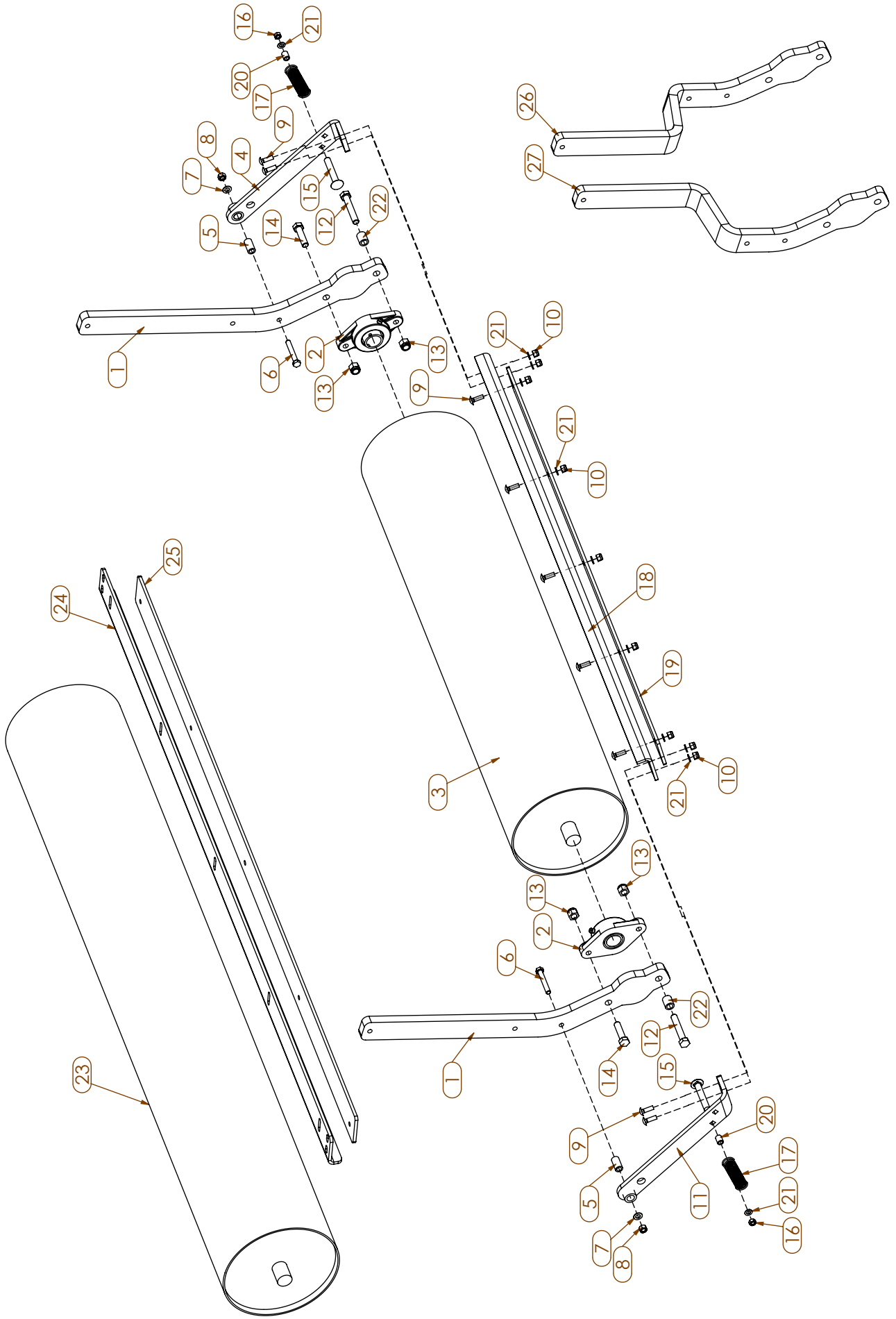
ITEM	PART NUMBER	DESCRIPTION
1	803540	PLATE, BENT - BEARING SUPPORT
2	180039	BEARING, COMPLETE w/ FLANGE
3	300596	FLANGETTE
4	300597	BEARING, 7/8" HEX
5	CB-1110	BOLT, CARR., 5/16"-18 X 1.00, G5
6	W-1410	WASHER, FLAT, 5/16" SAE G8
7	W-1610	WASHER, SPLIT, 5/16", G8
8	N-1001	NUT, HEX, 5/16"-18, G5
9	G41B18	SPROCKET, #41, 18T
10	100288	HEX STOP
11	301383	22MM HEX SHAFT PER FOOT
12	K10233	BUSHING, 1.50 X 1.00 X .125
13	N-2300	NUT, HEX, CL, 3/8"-16
14	KD11962	IDLER, #41 CHAIN
15	KD11219	TORSION SPRING, L
16	KD2971-10	SPACER, .625 X .406 X .562
17	KD1026	BUSHING, .625" X 1.188"
18	W-2210	WASHER, FLAT, 3/8" USS G8
19	CB-2275	BOLT, CARR., 3/8"-16 X 2.75, G5
20	300823	U-BOLT, 2" X 2" X 3/8"
21	10172090	ROLL PIN, 6 X 25mm
22	301150	CHAIN, #41 - 90 PITCHES
23	N-2301	NUT, SER. FLANGE, 3/8"-16



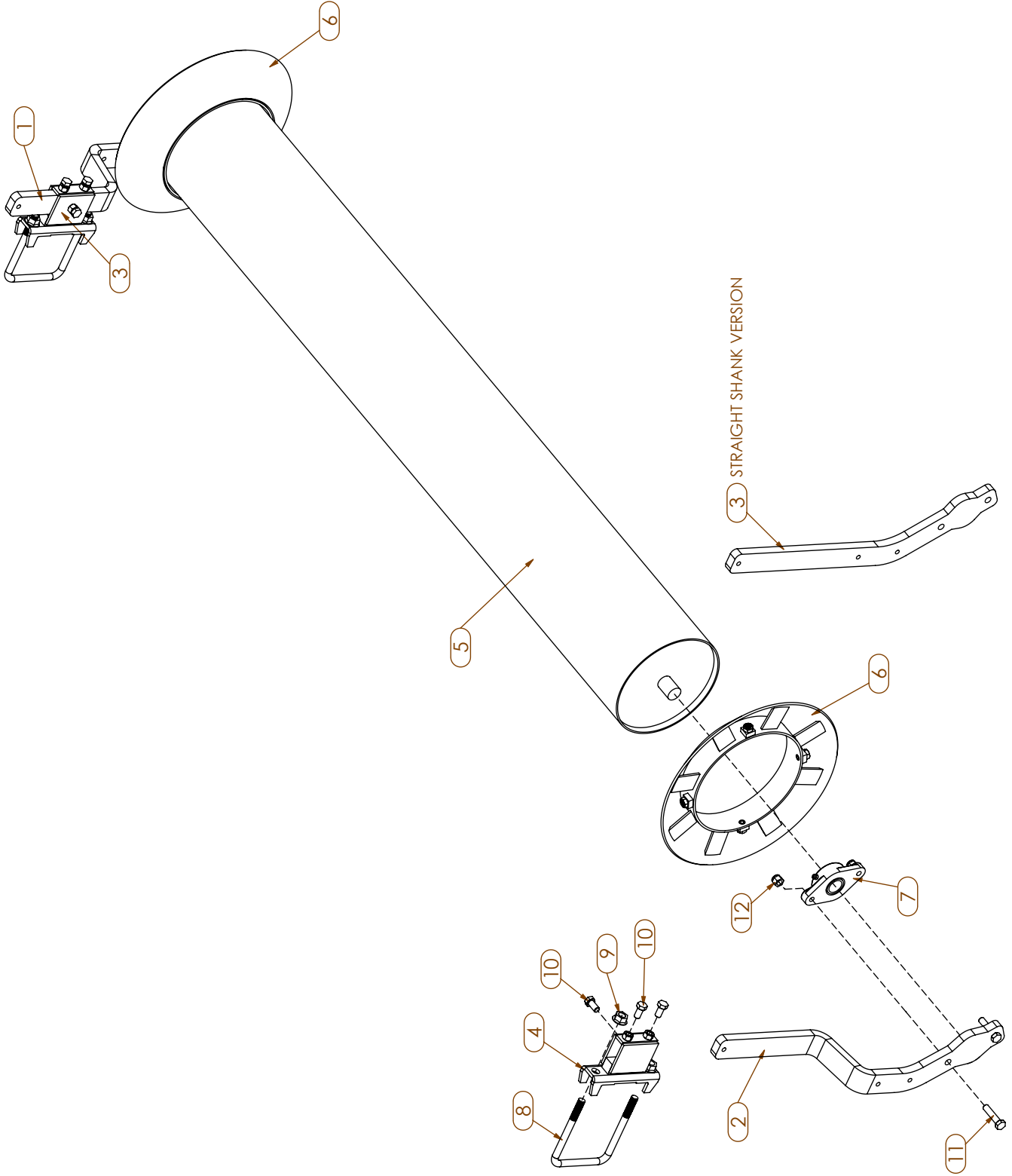
ITEM	PART NUMBER	DESCRIPTION
1	803540	PLATE, BENT - BEARING SUPPORT
2	180039	BEARING, COMPLETE w/ FLANGE
3	300596	FLANGETTE
4	300597	BEARING, 7/8" HEX
5	CB-1110	BOLT, CARR., 5/16"-18 X 1.00, G5
6	W-1410	WASHER, FLAT, 5/16" SAE G8
7	W-1610	WASHER, SPLIT, 5/16", G8
8	N-1001	NUT, HEX, 5/16"-18, G5
9	G41B18	SPROCKET, #41, 18T
10	100288	HEX STOP
11	301383	22MM HEX SHAFT PER FOOT
12	K10233	BUSHING, 1.50 X 1.00 X .125
13	N-2300	NUT, HEX, CL, 3/8"-16
14	KD11962	IDLER, #41 CHAIN
15	KD11219.R	TORSION SPRING, R
16	KD2971-10	SPACER, .625 X .406 X .562
17	KD1026	BUSHING, .625" X 1.188"
18	W-2210	WASHER, FLAT, 3/8" USS G8
19	CB-2275	BOLT, CARR., 3/8"-16 X 2.75, G5
20	300823	U-BOLT, 2" X 2" X 3/8"
21	10172090	ROLL PIN, 6 X 25mm
22	301509	CHAIN, #41, .94 PITCH
23	N-2301	NUT, SER. FLANGE, 3/8"-16



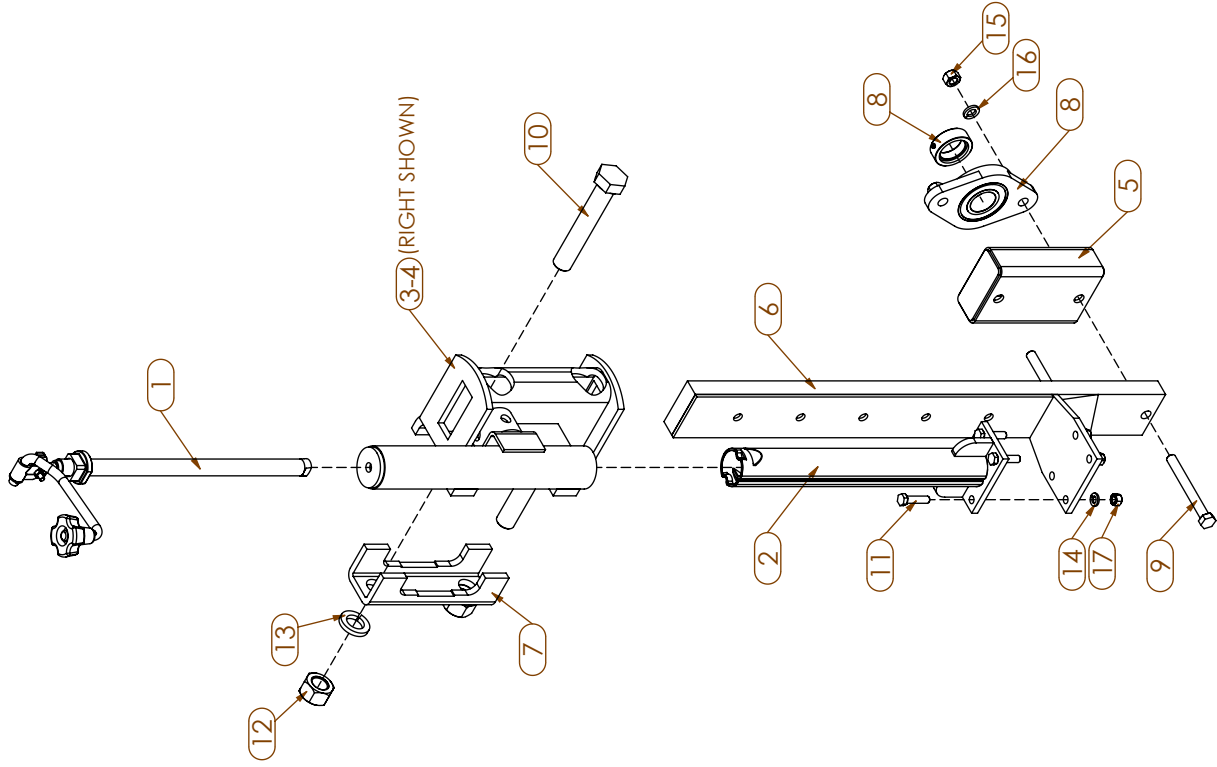
ITEM	PART NUMBER	DESCRIPTION
1	804172	FORMED PLATE, SCRAPER - 40" BED
2	804174	FORMED PLATE, SCRAPER - 60" BED
3	804146	FORMED PLATE, SCRAPER - 63" BED
4	804148	FORMED PLATE, SCRAPER - 72" BED
5	804047	FORMED PLATE, SCRAPER - 80" BED
6	804173	UHMW, 1.25 X 24.75 X .375 - 40" BED
7	804175	UHMW, 1.25 X 44.75 X .375 - 60" BED
8	804147	UHMW, 1.25 X 47.25 X .375 - 63" BED
9	804149	UHMW, 1.25 X 56.75 X .375 - 72" BED
10	804048	UHMW, 1.25 X 64.25 X .375 - 80" BED
11	W-0210	WASHER, FLAT, 1/4" USS G8
12	H-1110	BOLT, HEX, 1/4"-20 X 1-1/4" G5
13	W-0410	WASHER, FLAT, 1/4" SAE G8
14	N-0610	NUT, NYLOCK 1/4"-20
15	W-2410	WASHER, FLAT, 3/8" SAE G8
16	N-2101	NUT, NYLOCK 3/8"-16 G8
17	CB-2214	BOLT, CARR., 3/8"-16 X 1.25, G5



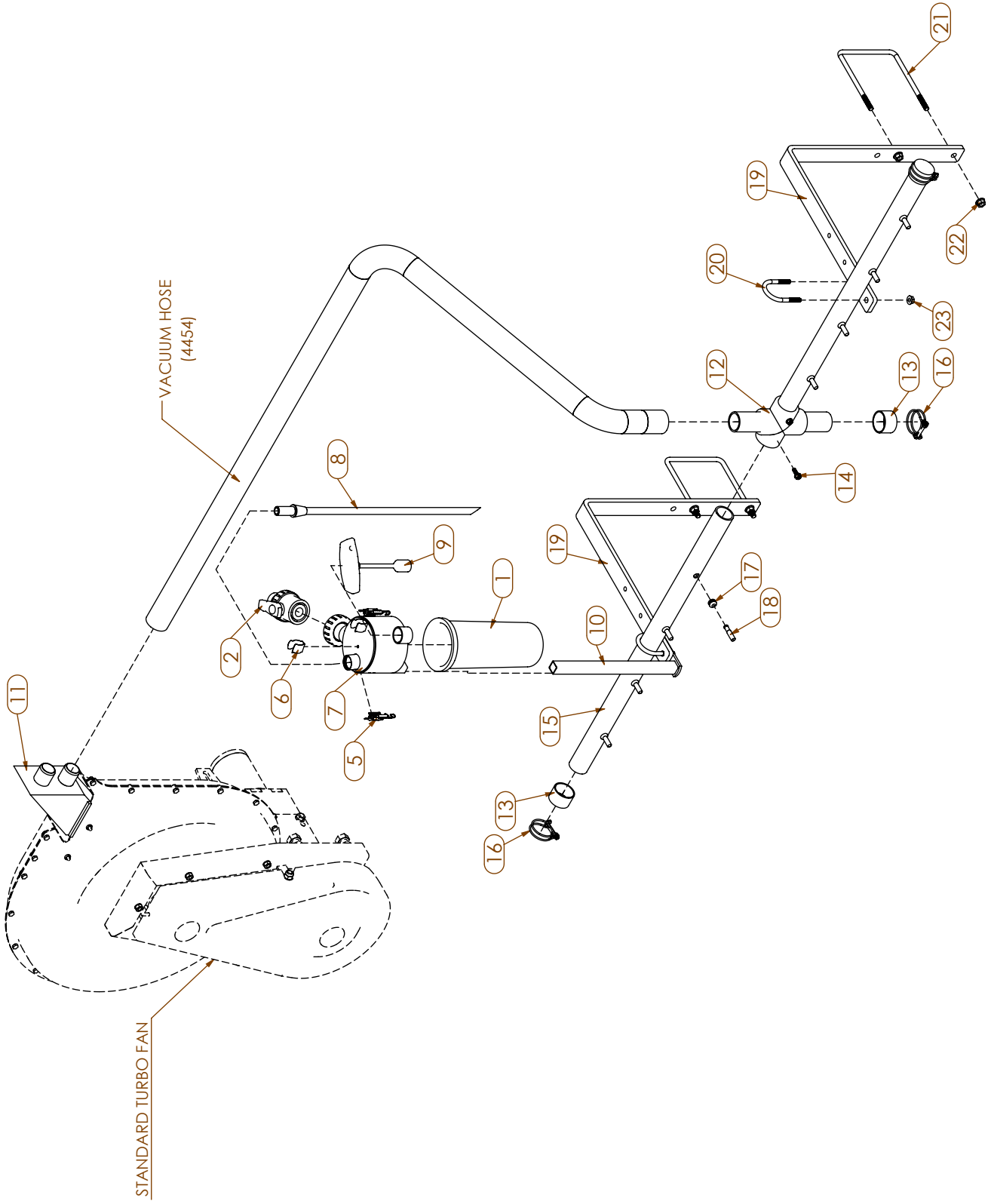
ITEM	PART NUMBER	DESCRIPTION
1	800395	PLATE SHANK
2	300136	FLANGED BEARING 1-1/4" ID
3	200281	MS ROLLER WA 45"
4	200290	MS ROLLER BRCKT R WA
5	KD1026	BUSHING, .625" X 1.188"
6	H-3220	BOLT, HEX, 3/8"-16 X 2-1/2" G8
7	W-2410	WASHER, FLAT, 3/8" SAE G8
8	N-2300	NUT, HEX, CL, 3/8"-16
9	CB-1110	BOLT, CARR., 5/16"-18 X 1.00, G5
10	N-1101	NUT, NYLOCK, 5/16"-18 G5
11	200291	MS ROLLER BRCKT L WA
12	H-4301	BOLT, HEX, 1/2"-13 X 3" G5
13	N-4101	NUT, NYLOCK 1/2"-13 G8
14	H-4201	BOLT, HEX, 1/2"-13 X 2" G8
15	CB-4430	BOLT, CARR., 1/2"-13 X 3.00, G5
16	N-1001	NUT, HEX, 5/16"-18, G5
17	KD5857	SPRING
18	801492	PLATE SCRAPER FOR 45" ROLLER
19	801537	DELIN RECT BAR 3" WIDE X 45"
20	800617	BUSHING
21	W-1410	WASHER, FLAT, 5/16" SAE G8
22	802296	BUSHING- SPACER FOR 1/2 BOLT
23	200622	MS ROLLER WA 65"
24	804116	PLATE, SCRAPER MINT - 65" ROLLER
25	804117	SCRAPER, 65" ROLLER
26	804759	10" ROLLER SHANK, JOGGED, L
27	804760	10" ROLLER SHANK, JOGGED, R



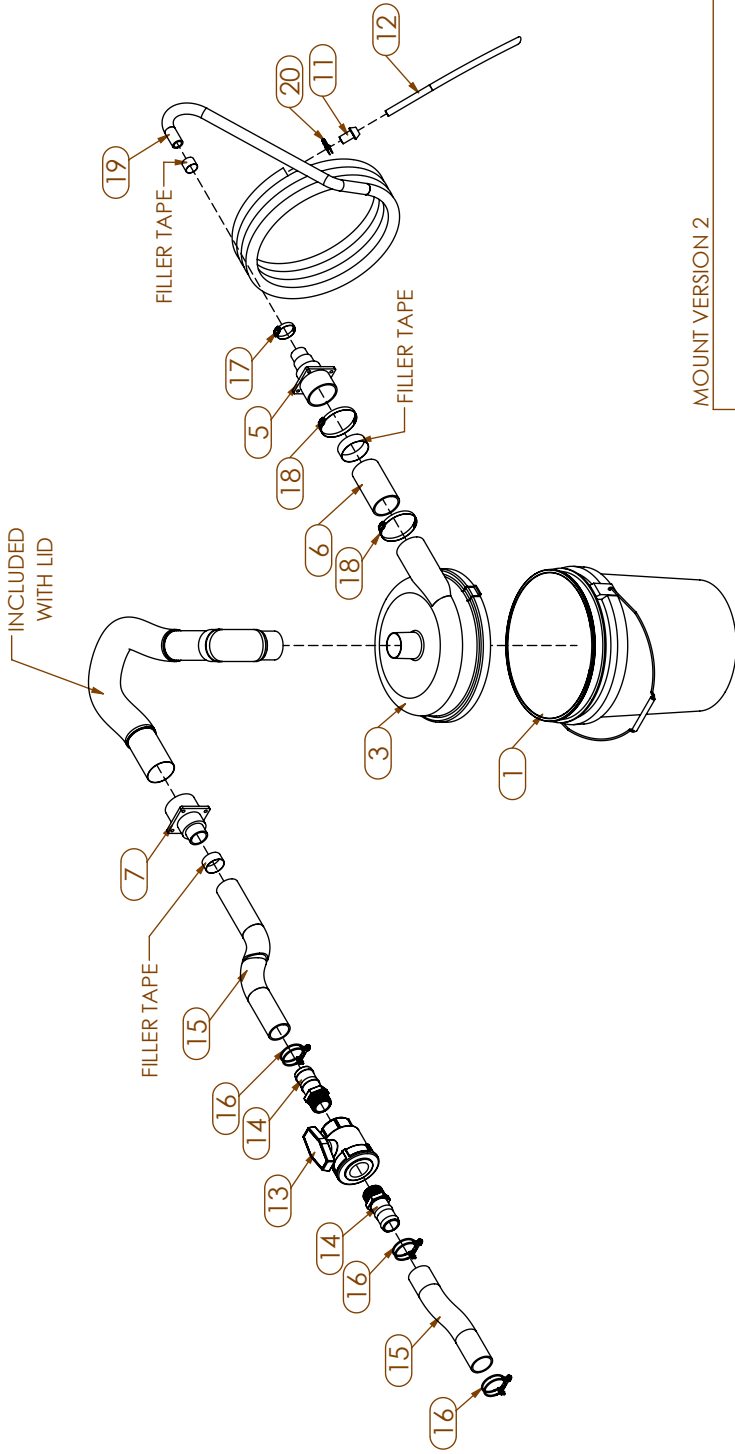
ITEM	PART NUMBER	DESCRIPTION
1	804759	10" ROLLER SHANK, JOGGED, L
2	804760	10" ROLLER SHANK, JOGGED, R
3	800395	PLATE SHANK
4	200497	MS ROLLER SHANK BRKT. 5X5
5	201348	MS ROLLER WA 74.0
6	804761	SHAPER RINGS, PAINTED, PAIR, ADJ, 10" ROLLER
7	300136	FLANGED BEARING 1-1/4" ID
8	4502.SS	U-BOLT, 5 X 5 X 5/8
9	N-5401	NUT, FLANGE. 5/8"-11
10	H-4210	HF BOLT 0.5 X 13 X 1 X 1-N
11	H-4210	BOLT, HEX, 1/2"-13 X 2-1/4" G8
12	N-4101	NUT, NYLOCK 1/2"-13 G8



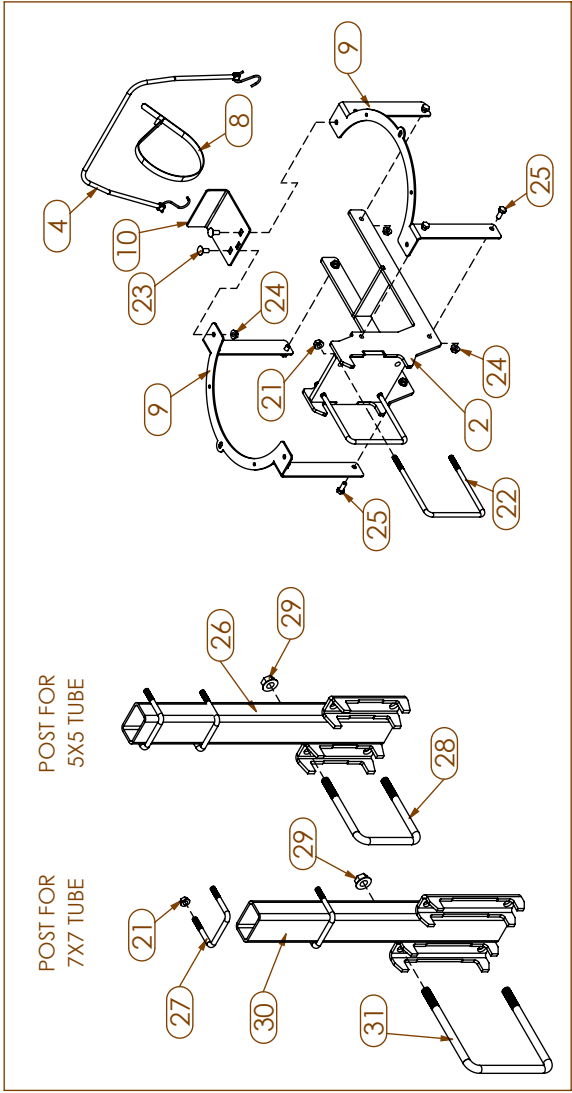
ITEM	PART NUMBER	DESCRIPTION
1	K4100-02	JACK
2	200571	JACK BASE
3	200127	ROLLER CLAMP RIGHT
4	200128	ROLLER CLAMP WA LEFT
5	200130	SPACER BLOCK ROLLER BEARING
6	200129	ROLLER SHANK WA
7	803801	ROLLER 5" CLAMP, W PAINT
8	300946	1-7/16" ID BEARING ASM
9	H-4415	BOLT, HEX, 1/2"-13 X 4-1/2" G8
10	H-7601	BOLT, HEX, 1"-8 X 6" G8
11	H-3120	BOLT, HEX, 3/8"-16 X 1-1/2" G8
12	N-8001	NUT, HEX, 1"-8, G8
13	W-7610	WASHER, SPLIT, 1", G8
14	W-2610	WASHER, SPLIT, 3/8", G8
15	N-4001	NUT, HEX, 1/2"-13, G8
16	W-4610	WASHER, SPLIT, 1/2", G8
17	N-2001	NUT, HEX, 3/8"-16, G8



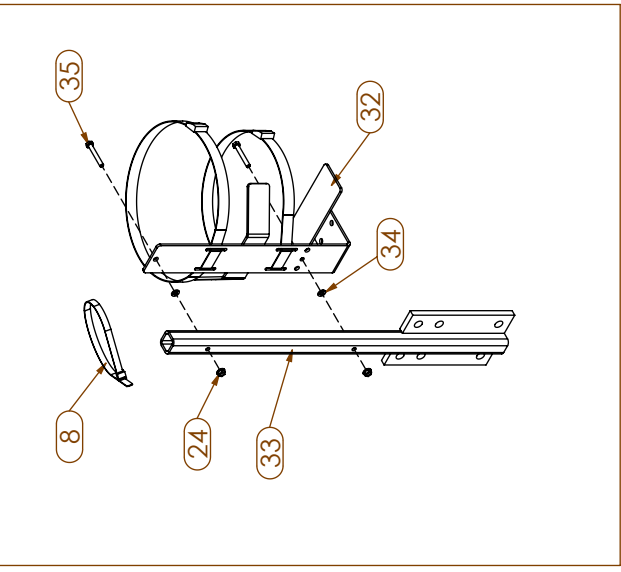
ITEM	PART NUMBER	DESCRIPTION
1	4936	SEED CLEANOUT, SEED CHAMBER
2	4928	1/4 TURN BALL VALVE
3	4932	SEED CLEANOUT FILTER
4	4933	FILTER CLIP
5	4937	SEED CLEANOUT CLOSING HOOK
6	10992066	SPRING CLIP
7	4935A	SEED CLEANOUT CANISTER LID
8	4940A	SUCTION TUBE END
9	4934	SCREWDRIVER (HEX SHAFT 17)
10	6605339	MOUNTING BRACKET
11	4941	UPPER COLLECTOR MS TURBOFAN
12	4944	CROSS FITTING, MS
13	4451	CAP, 40mm
14	K10570	SELF-TAPPING SCREW 1/4 X 3/4
15	4943	MS SEC. AIR TUBE, 57.000
16	300526	HOSE CLAMP
17	4950	GROMMET
18	4949	AIR TUBE NIPPLE
19	800326	SUPPORT BRACKET
20	300667	U-BOLT, 1-3/4 X 5/16"-18
21	4647.SS	U-BOLT, 5 X 5 X 3/8"-16
22	N-2301	NUT, SER. FLANGE, 3/8"-16
23	N-1110	NUT, SER. FLANGE, 5/16"-18



MOUNT VERSION 1



MOUNT VERSION 2



ITEM	PART NUMBER	DESCRIPTION
1	301393	5 GAL. BUCKET, PLASTIC
2	201351	SEE VAC CLEANOUT BRACKET
3	301390	DUST SEPARATOR W/ 2.5 HOSE
4	301395	ELASTIC TIE DOWN
5	301391	2.5 IN. ADAPTOR SHOP VAC
6	804767	PLASTIC TUBE, 2.0 ID X 2.25 OD X 4.0 L
7	301391	2.5 IN. ADAPTOR SHOP VAC
8	301396	REUSABLE NYLON CABLE TIE
9	804773	BRACKET, RING 1.25 ID
10	804774	PLATE, HOSE STORAGE
11	4939.A	TUBE CONNECTOR
12	4940.A	CLEAN-OUT TUBE
13	UV-125-FP	UV-125-FP 1.25
14	TERHB125-150	1.25 MPT X 1.50 BARB
15	4454	VACUUM HOSE NG+ BLACK
16	4453	HOSE CLAMP
17	HC-016	HOSE CLAMP, #16
18	HC-040	HOSE CLAMP, #40
19	9522	MICROSEM HOSE
20	9568	HOSE CLAMP MICROSEM
21	N-2301	NUT, SER. FLANGE, 3/8"-16
22	4647.SS	U-BOLT, 5 X 5 X 3/8"-16
23	CB-1103	BOLT, CARR., 5/16"-18 X .75, G5
24	N-1110	NUT, SER. FLANGE, 5/16"-18
25	H-2075	BOLT, HEX, 5/16"-18 X 3/4" G5
26	201352	BRACKET, SEED VAC POST 5X5
27	300227	U-BOLT, 3 X 3 X 3/8"-16
28	4502.SS	U-BOLT, 5 X 5 X 5/8
29	N-5201	NUT, CENTER LOCK FLANGE, 5/8"-11
30	201353	BRACKET, SEED VAC POST 7X7
31	4502.S	U-BOLT, 7 X 7 X 5/8-11
32	301487	WATER COOLER RACK
33	201429	SEED CLEANOUT STAND WELDMNT
34	10620025	WASHER, 8 X 16 X 2MM
35	H-2225	BOLT, HEX, 5/16"-18 X 2-1/4" G5

PARTS INDEX - MS MOUNTED

	PAGE		PAGE
TOOLBAR		ROW UNIT	
MS TOOLBAR HITCH	P-1	MS SEED METER BASE	P-53
5X5 STANDARD HITCH	P-3	MS SEED METER COVER & HOPPER	P-55
5X5 DOUBLE TOOLBAR	P-5	MS VERSION A & C BASE UNIT	P-57
5X5 ADVANCED HITCH	P-7	MS VERSION A & C FRONT WHEELS	P-59
5X5 HITCH COMBO	P-9	MS VERSION A & C REAR WHEELS	P-61
5X5 HITCH COMBO SET BACK	P-11	MS VERSION A SHOES	P-63
STACKING TOOLBAR, 8R30	P-15	MS VERSION C FIXED SHOES	P-65
5X5 CONVERSION ON 8R30 STACKING	P-17	MS VERSION C ADJUSTABLE SHOES	P-67
5X5 STACKING QUICK HITCH ADAPTER	P-19	MS VERSION A DISC OPENER OPTION	P-69
STACKING TOOLBAR HYD PILOT LOCK	P-21	MS INTERMEDIATE PRESS WHEEL	P-71
MS TOOLBAR AND ROLLER	P-23	MS INTERMEDIATE PRESS WHEEL, DOUBLE	P-73
LIGHT KIT	P-25	MS VERSION A TIMING OPTION	P-75
TRANSMISSION/HYDRAULIC DRIVE		MS VERSION B FRAME & LINKAGE	P-77
5X5 CLUSTER TRANSMISSION	P-27	MS VERSION B WHEELS	P-79
5X5 END-MOUNTED TRANSMISSION	P-29	MS VERSION D LINKAGE & FRAME	P-81
5X5 NARROW TRANSMISSION	P-31	MS VERSION D METER & SHOE MOUNT	P-83
HYD MOTOR DRIVE, 5X5	P-33	MS VERSION D WHEELS	P-85
HYD MOTOR DRIVE, MS VERSION M	P-35	MS VERSION D OPENER DISC OPTION	P-87
HYDRAULIC DRIVE MOTOR	P-37	MS VERSION D TIMING OPTION	P-89
WHEELBLOCKS		MS VERSION G ROW UNIT	P-91
DRIVE WHEELBLOCK, FIXED	P-39	MS VERSION G METER DRIVE	P-93
DRIVE WHEELBLOCK, ADJUSTABLE	P-41	MS VERSION M LINKAGE	P-95
TURBOFAN		MS VERSION M FRAME, SINGLE HEX	P-97
STD OUTPUT TURBOFAN	P-43	MS VERSION M FRAME, DOUBLE HEX	P-99
HIGH OUTPUT TURBOFAN	P-45	MS VERSION M ROW UNIT	P-101
EXTRA HIGH OUTPUT TURBOFAN	P-47	MS VERSION M DRIVE SHAFT, SINGLE	P-103
TURBOFAN MOTOR	P-49	MS VERSION M DRIVE SHAFT, DOUBLE	P-105
VACUUM & PRESSURE GAUGES	P-51	MS VERSION M ROLLER SCRAPER	P-109
		MS 10" ROLLER & SCRAPER	P-111
		MS 10" ROLLER & SHAPER RINGS	P-113
		MS ROLLER JACK	P-115
		MS SECONDARY AIR OPTION	P-117
		MS VACUUM SEED CLEANOUT, 5 GALLON	P-119