
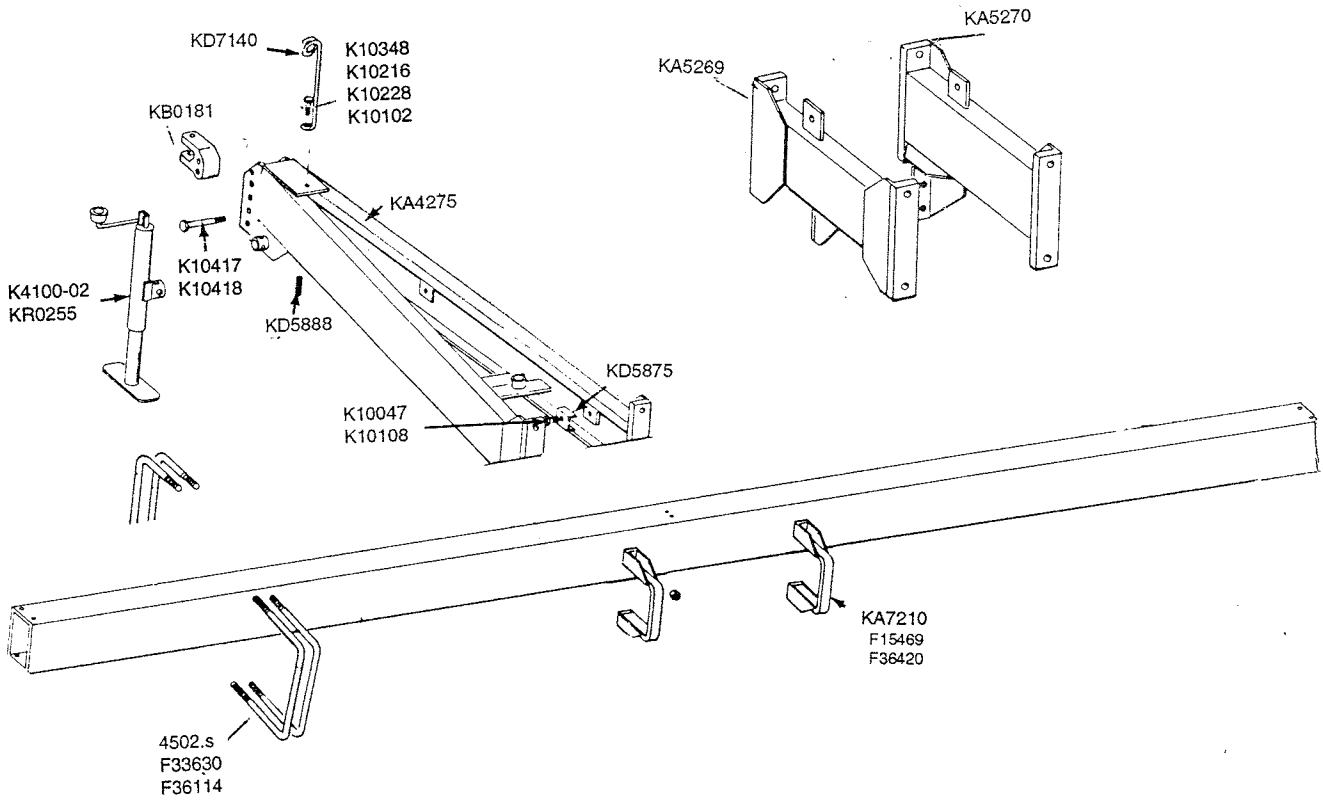

REPLACEMENT
PARTS



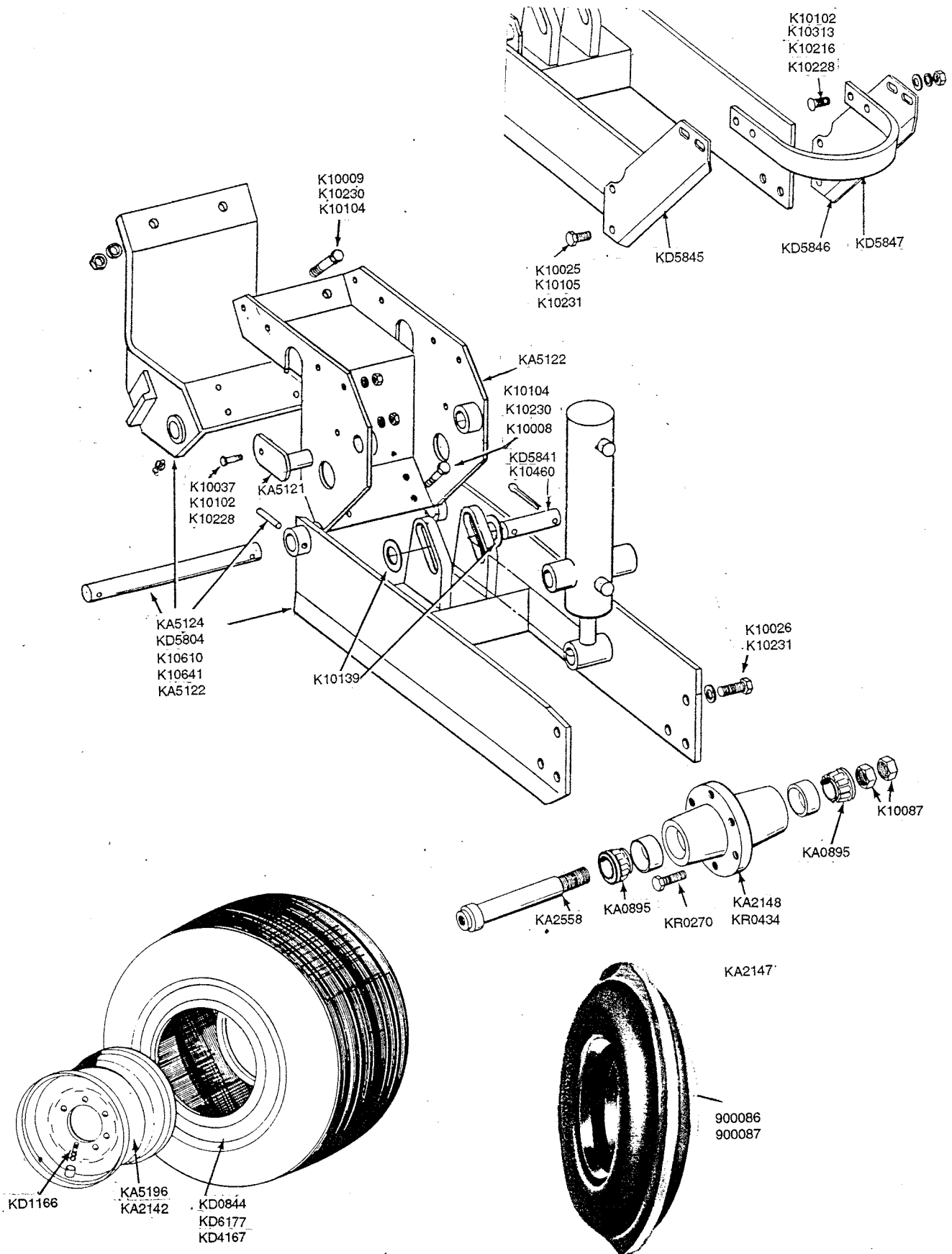
HITCH AND FRAME ASSEMBLY



HITCH AND FRAME ASSEMBLY - SAFETY STICKERS

K10003	Hex Head Cap Screw, 3/8" x16x 1 1/2"
K10047	Hex Head Cap Screw, 3/8"x16x1 3/4"
K10102	Hex Nut, 1/2"x13
K10108	Hex Nut, 3/8"x16
K10216	Washer, 1/2" USS
K10228	Lock Washer, 1/2"
K10348	Hex Head Cap Screw, 1/2"x13x5"
K10417	Hex Head Cap Screw, 7/8"x9x4 1/2"
K10418	Lock Nut, 7/8"x9
K4100-02	Jack Assembly
KA4275	Hitch
KA5269	Hitch/Center Extension, L.H., Straight, 24"
KA5270	Hitch/Center Extension, R.H., Straight, 24"
KA5921	Hitch Clamp
KB0181	Clevis
KD5875	Hose Clamp
KD5888	Spring
KD7140	Hose Holder
KR0255	Repair Kit (Chain and Pin)
4502.s	U bolt
F33630	5/8 lock washer
F36114	Nut
Bars	7"x7"x120", 4 Row 30 7"x7"x144", 4 Row 36/38 7"x7"x180", 6 Row 30 7"x7"x220", 6 Row 36/38 7"x7"x240", 8 Row 30
Safety Stickers	
0891-45201	Seven safety precautions
0891-45202	Alterations to design
0891-4615.1a	Tow only with farm tractor
0891-4552	Row marker locking pin
0891-7104	Agricultural chemicals
0891-4674	Lift drive wheel locking arm
38333	PTO rotating driveline
KG7100-194	Spring under pressure

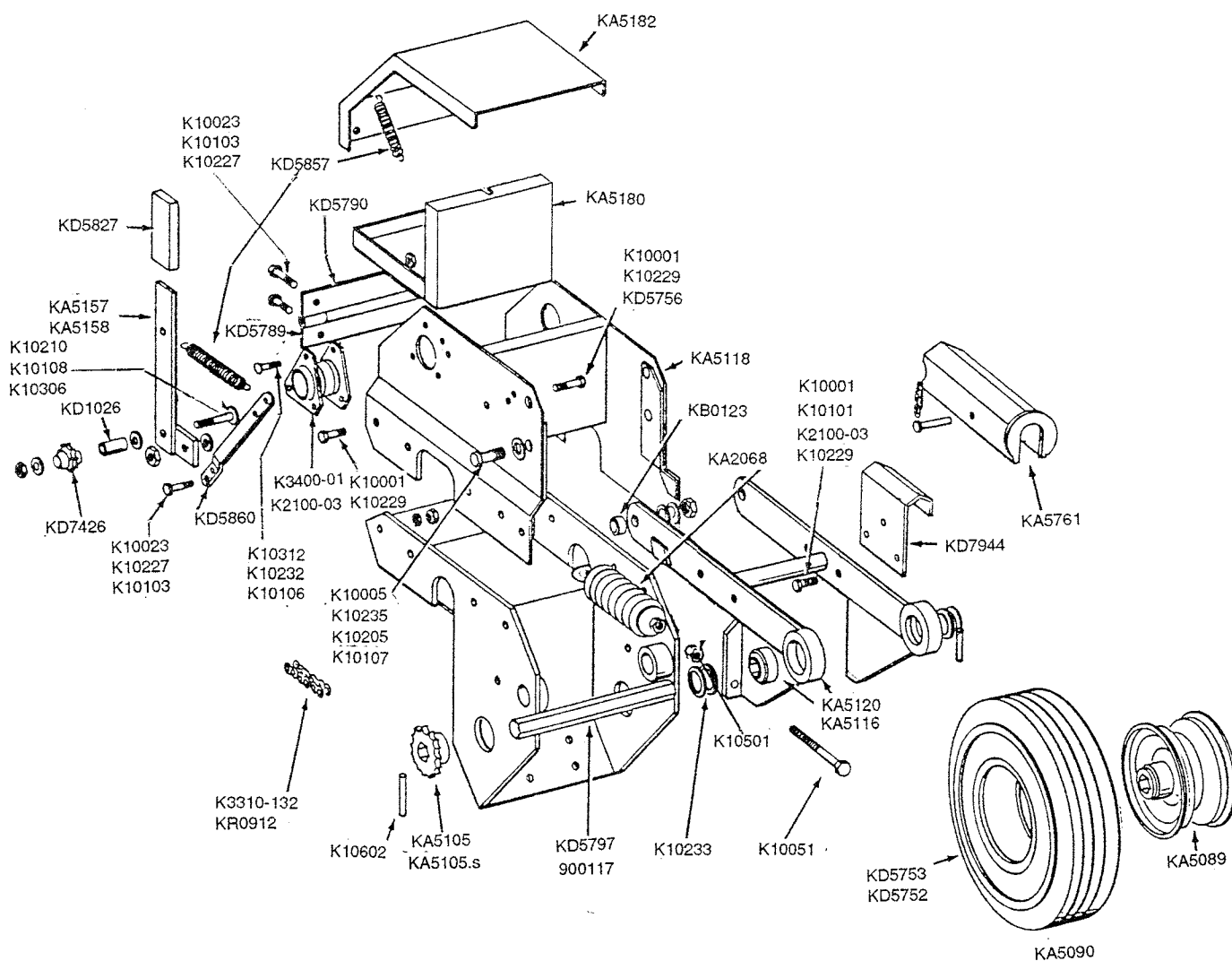
TRANSPORT AND GROUND DRIVE WHEEL ASSEMBLY



TRANSPORT AND GROUND DRIVE WHEEL ASSEMBLY

K10008	Hex Head Cap Screw, 5/8"x11x2"
K10009	Hex Head Cap Screw, 5/8"x11x2 1/2"
K10025	Hex Head Cap Screw, 3/4"x10x1 1/2"
K10026	Hex Head Cap Screw, 3/4"x10x2"
K10037	Hex Head Cap Screw, 1/2"x13x1 1/4"
K10087	Jam Nut, 1 1/2"x10
K10102	Hex Nut, 1/2"x13
K10104	Hex Nut, 5/8"x11
K10105	Hex Nut, 3/4"x10
K10139	Washer, 1 1/4" USS
K10216	Washer, 1/2" USS
K10228	Lock Washer, 1/2"
K10230	Lock Washer, 5/8"
K10231	Lock Washer, 3/4"
K10313	Carriage Bolt, 1/2"-13x1 1/2"
K10460	Cotter Pin, 1/4"x2"
K10610	Spring Pin, 3/8"x2"
K10641	Grease Fitting, 1/8" NPT
KA0895	Cone
KA2142	Rim W/Valve Protector, 20"x5.50", Optional
KA2147	Hub & Spindle Assembly
KA2148	Hub W/Cups, 6 Bolt
KA2558	Spindle
KA5121	Pin
KA5122	Wheel Tower Clamp
KA5124	Arm W/Pin, Clamp, Grease Fittings and Spring Pins
KA5196	Rim W/Valve Protector, 15"x5.0"
KD0844	Tire, 7.60"x15", 4 Ply, Tubeless
KD1166	Valve Stem
KD4167	Tube, 7.50x20"
KD5804	Pin, 1 1/4"x12"
KD5841	Pin, 1 1/4"x5 5/8"
KD5845	Scraper Mount, L.H.
KD5846	Scraper Mount, R.H.
KD5847	Scraper Bar (Used With 20" Tire)
KD6177	Tire, 7.50x20", Tube Type Less Tube, Optional
KR0270	Lug Bolt, 9/16"-12
KR0434	Cup
900086	Single rib tire, 7.50x20"
900087	Tube for single rib tire, 7.50x20"

CONTACT DRIVE WHEEL AND ARM ASSEMBLY

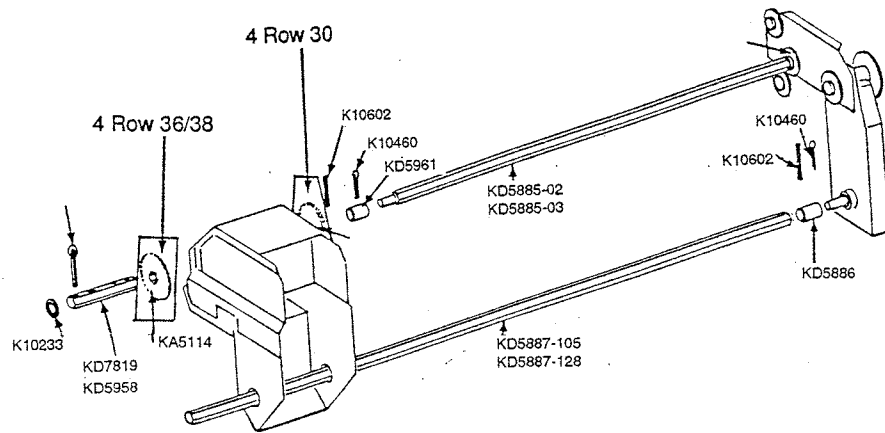


CONTACT DRIVE WHEEL AND ARM ASSEMBLY

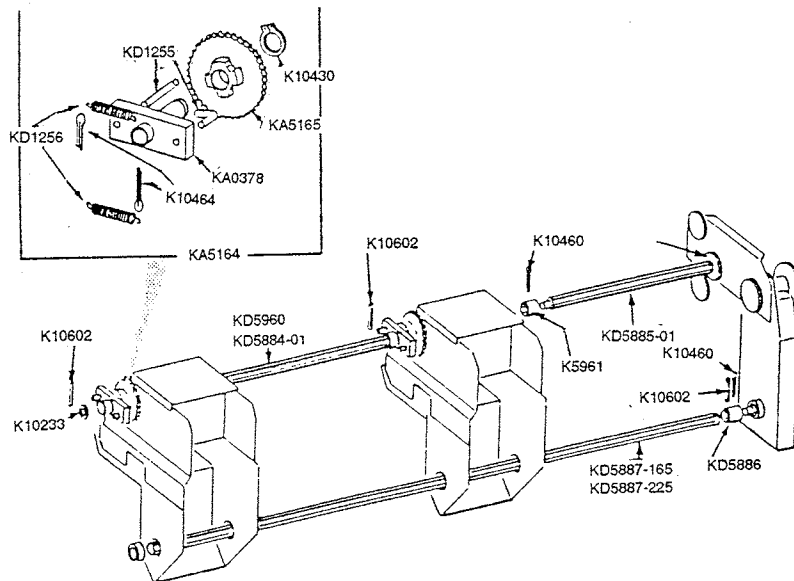
K10001	Hex Head Cap Screw, 3/8"-16x1"
K10005	Hex Head Cap Screw, 5/8"-11x1 3/4"
K10023	Hex Head Cap Screw, 1/4"-20x3/4"
K10051	Hex Head Adjusting Bolt, 1/2"-13x3, Grade 2
K10101	Hex Nut, 3/8"-16
K10103	Hex Nut, 1/4"-20
K10106	Hex Nut, 5/16"-18
K10107	Lock Nut, 5/8"-11
K10108	Lock Nut, 3/8"-16
K10205	Washer 5/8"SAE
K10210	Washer, 3/8" USS
K10227	Lock Washer, 1/4"
K10229	Lock Washer, 3/8"
K10232	Lock Washer, 5/16"
K10233	Machine Bushing, 1"
K10235	Machine Bushing
K10306	Carriage Bolt, 3/8"-16x2"
K10312	Carriage Bolt, 5/16"-18x3/4"
K10501	Jam Nut, 1/2"
K10602	Spring Pin, 1/4"x1 1/2"
K2100-03	Bearing, 7/8" Hex Bore, Spherical
K3310-132	Chain, No. 40, 132 Pitch Including Connector Link
K3400-01	Flangette
KA2068	Spring
KA5089	Rim
KA5090	Tire and Rim Assembly (KD5753, KD5752, KA5089)
KA5105	Sprocket, 15 Tooth
KA5105.s	Sprocket, 15 Tooth for 24-row
KA5116	Bearing, 7/8" Hex Bore Cylindrical
KA5118	Mount
KA5120	Wheel Arm W/Bearings
KA5157	Idler Arm, L.H.
KA5158	Idler Arm, R.H.
KA5180	Tool Box Insert
KA5182	Cover
KA5761	Lockup W/ Pin
KB0123	Bushing
KD1026	Sleeve
KD5752	Tube
KD5753	Tire, 4.10"x6"
KD5756	Special Nut
KD5789	Hinge, Female
KD5790	Hinge, Male
KD5797	Shaft, 7/8"x10"
900117	Shaft, 7/8"x8 7/8 for 24-row
KD5827	Cover
KD5857	Spring
KD5860	Bar
KD7426	Idler Sprocket, 12 Tooth
KD7944	Mount
KR0912	Connector Link, No. 40

DRIVE LINE, 4-ROW 30/36/38, 6-ROW 30/36/38, 8-ROW 30, 12-ROW 30

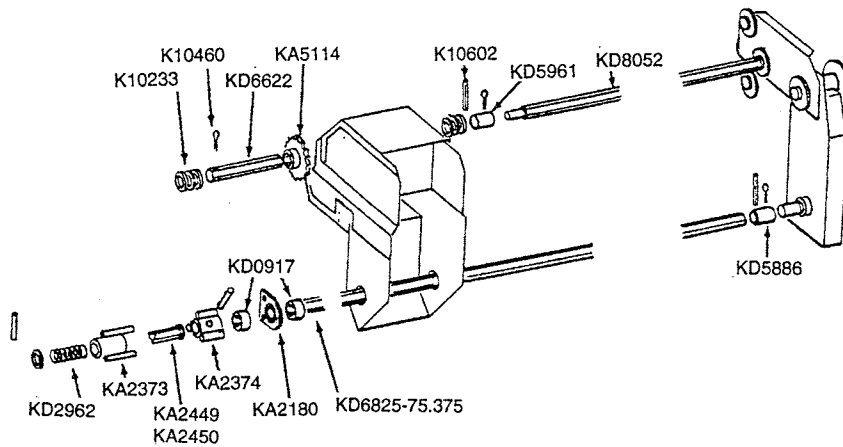
4-ROW



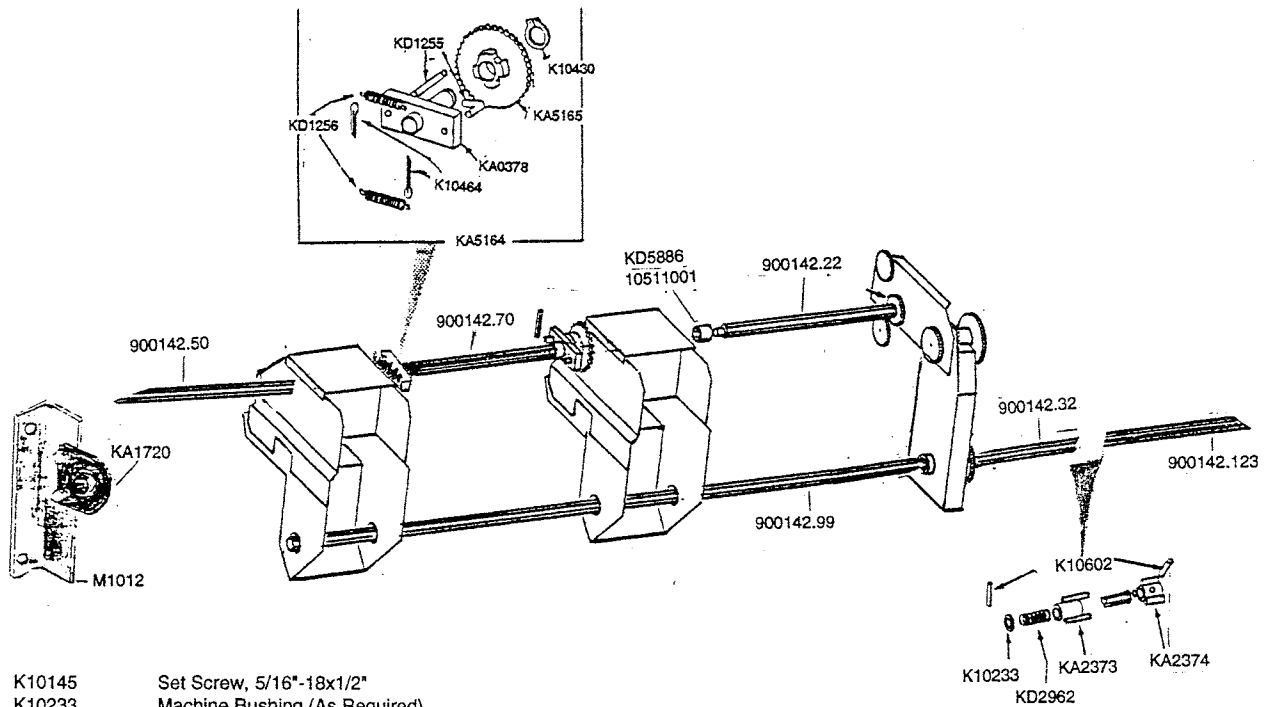
6-ROW & 8-ROW



12-ROW

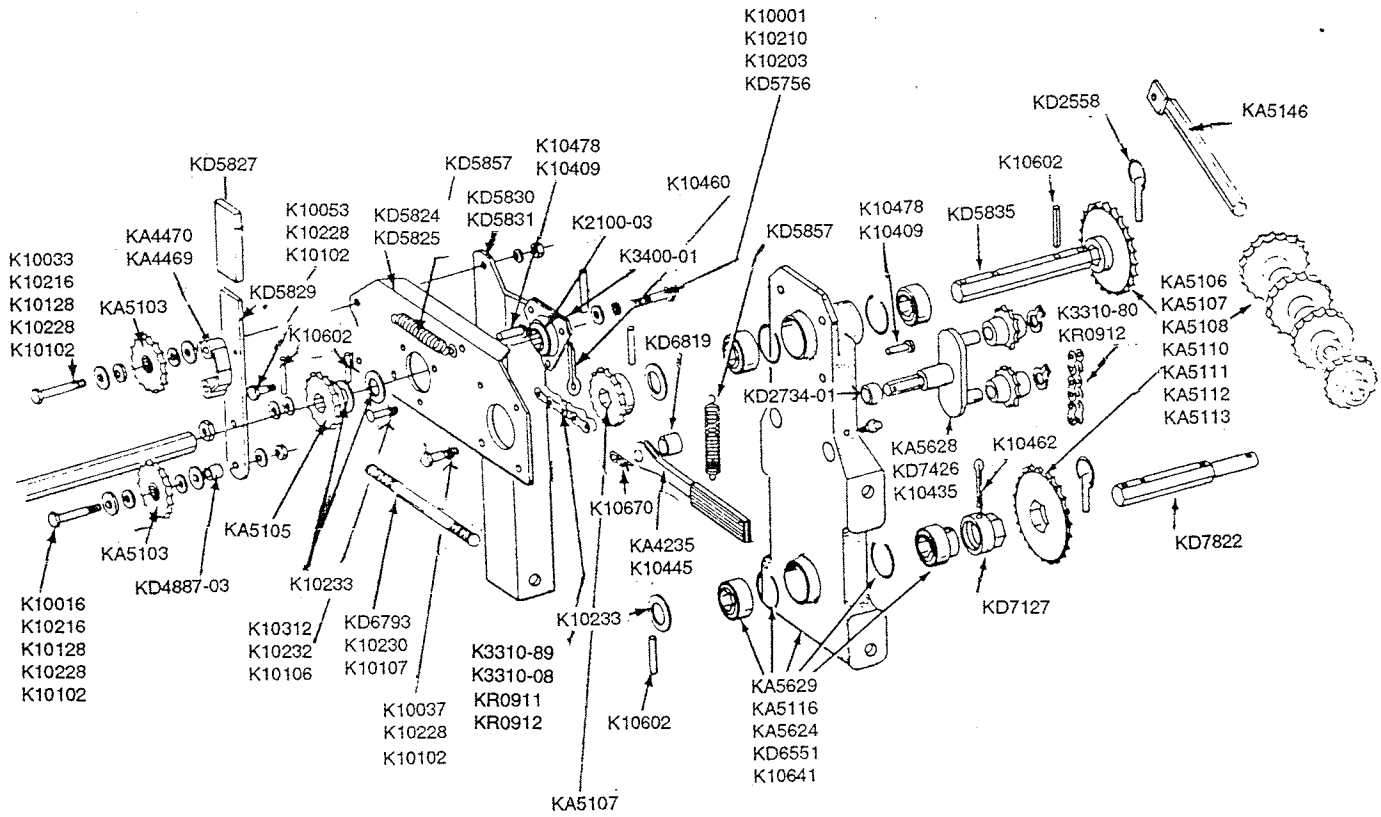


DRIVE LINE, 24-ROW



- K10145 Set Screw, 5/16"-18x1/2"
- K10233 Machine Bushing (As Required)
- K10430 Ring
- K10460 Cotter Pin, 1/4"x2"
- K10464 Cotter Pin, 3/16"x1"
- K10602 Spring Pin, 1/4"x1 1/2"
- KA0378 Block and Hub Assembly
- KA1720 Bearing
- KA2180 Hanger Bearing, 7/8" Hex
- KA2373 Coupler
- KA2374 Coupler
- KA2449 Drill Shaft, Main Frame, 79", L.H. 12 Row 30
- KA2450 Drill Shaft, Main Frame, 90", R.H., 12 Row 30
- KA5114 Sprocket, 30 Tooth
- KA5164 Ratchet/Sprocket Assembly
- KA5165 Hub/Sprocket Assembly, 30 Tooth
- KD0917 Lock Collar, 7/8" Hex, Less Set Screws
- KD1255 "L" Pin
- KD1256 Spring
- KD2962 Spring
- KD5884-01 Drive Shaft, 36" (3Holes), 6 Row 30 and 8 Row 30
- KD5885-01 Drive Shaft, 30"
- KD5885-02 Drive Shaft, 19", 4 Row 30
- KD5885-03 Drive Shaft, 24", 4 Row 36/38
- KD5886 Coupler
- KD5887-105 Drill Shaft, 4 Row 30
- KD5887-128 Drill Shaft, 4 Row 36/38
- KD5887-204 Drill Shaft, 6 Row 36/38
- KD5887-165 Drill Shaft, 6 Row 30
- KD5887-225 Drill Shaft, 8 Row 30
- KD5958 Drill Shaft, 16" (4 Holes), 4 Row 36/38
- KD5960 Drive Shaft, 50" (6 Holes), 6 Row 36/38
- KD5961 Coupler
- KD6622 Drive Shaft, 14 7/8"
- KD6825-75.375 Drill Shaft, Wing, 12 Row 30
- KD7819 Drive Shaft, 15" (4 Holes) 4 Row 30
- KD8052 Drive Shaft, 16 1/2", 12 Row 30
- 900142.22 Drive Shaft 22", 24-Row
- 900142.32 Drive Shaft 32", 24-Row
- 900142.50 Drive Shaft 50", 24-Row
- 900142.70 Drive Shaft 70", 24-Row
- 900142.99 Drive Shaft 99" 24-Row
- 900142.123 Drive Shaft 123", 24-Row
- 10511001 6.5 mm Bolt
- M1012 Angle Iron for Bearing

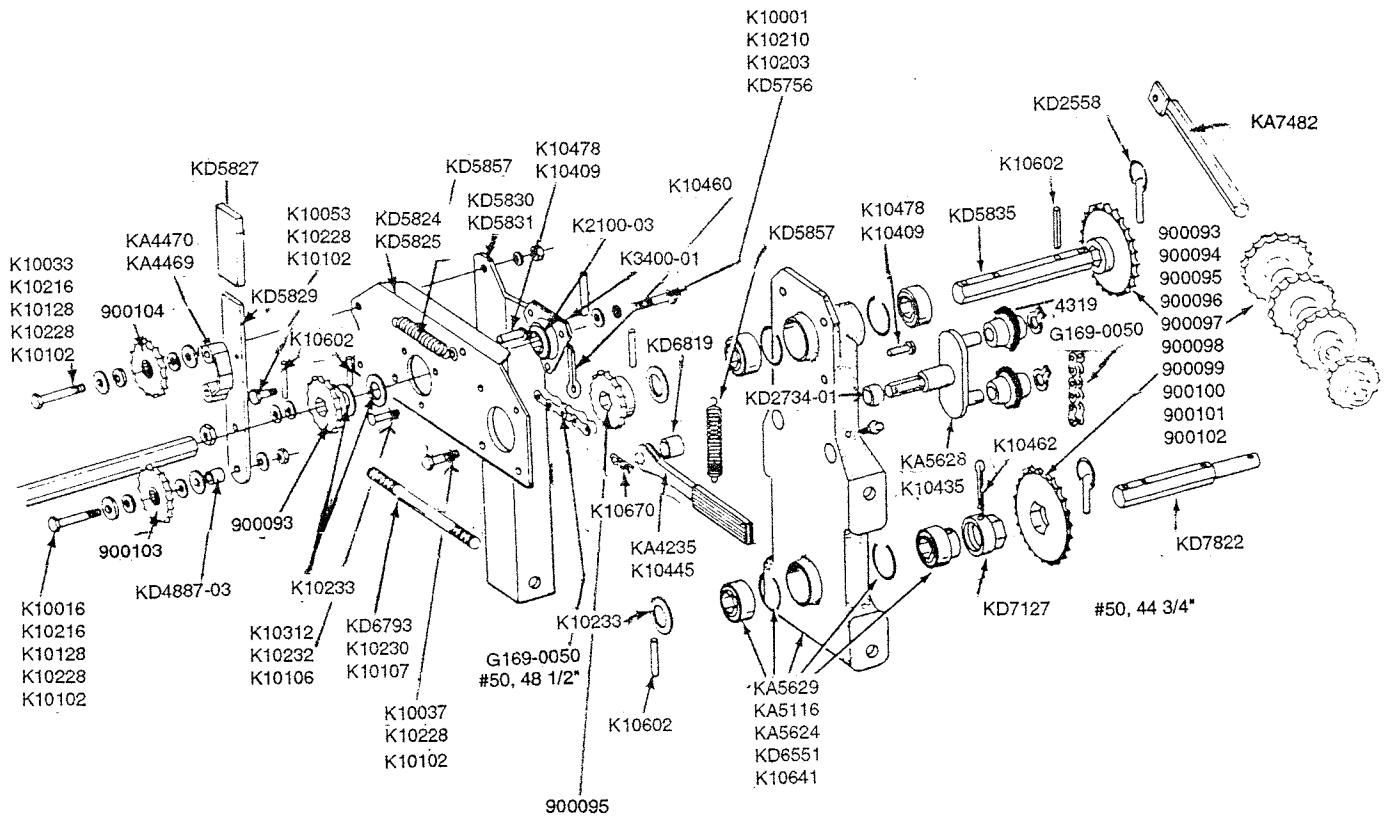
TRANSMISSION ASSEMBLY



TRANSMISSION ASSEMBLY

K10001	Hex Head Cap Screw, 3/8"-16x1"
K10016	Hex Head Cap Screw, 1/2"-13x2"
K10033	Hex Head Cap Screw, 1/2"-13x3 1/2"
K10037	Hex Head Cap Screw, 1/2"-13x1 1/4"
K10053	Hex Head Cap Screw, 1/2"-13x2 1/2"
K10102	Hex Nut, 1/2"-13
K10106	Hex Nut, 5/16"-18
K10107	Hex Nut, 5/8"-11
K10128	Machine Bushing, 1/2" (Small)
K10203	Washer, 3/8" SAE
K10210	Washer, 3/8" USS
K10216	Washer, 1/2" USS (Large)
K10228	Lock Washer, 1/2"
K10230	Lock Washer, 5/8"
K10232	Lock Washer, 5/16"
K10233	Machine Bushing
K10312	Carriage Bolt, 5/16"-18x3/4"
K10409	Retaining Ring, 5/16"
K10435	Ring
K10445	Protective Closure
K10460	Cotter Pin, 1/4"x2"
K10462	Cotter Pin, 3/16"x2"
K10478	Clevis Pin, 5/16"x1"
K10602	Spring Pin, 1/4"x1 1/2"
K10641	Grease Fitting, 1/8" NPT
K10670	Hair Pin Clip, No. 3
K2100-03	Bearing, 7/8" Hex Bore, Spherical
K3310-08	Chain, No. 40, Used with 2 to 1 Drive Reduction
K3310-80	Chain, No. 40, 80 Pitch Including Connector Link
K3310-89	Chain, No 40, 89 Pitch with Connector and Offset Link
K3400-01	Flangette
KA4235	Ratchet Wrench W/Protective Closure
KA4469	Idler Mount, L.H.
KA4470	Idler Mount, R.H.
KA5103	Idler Sprocket W/Bearing, 15 Tooth
KA5105	Sprocket, 15 Tooth
KA5106	Sprocket, 17 Tooth
KA5107	Sprocket, 19 Tooth
KA5108	Sprocket, 23 Tooth
KA5109	Sprocket, 24 Tooth
KA5110	Sprocket, 25 Tooth
KA5111	Sprocket, 26 Tooth
KA5112	Sprocket, 27 Tooth
KA5113	Sprocket, 28 Tooth
KA5114	Sprocket, 30 Tooth
KA5116	Bearing, 7/8" Hex Bore, Cylindrical
KA5146	Sprocket Storage Rod
KA5624	Special Bearing, 7/8" Hex Bore x 1.6"
KA5628	Idler W/Sprockets and Rings
KA5629	Transmission Plate W/Bearings, Grease Fittings and Retaining Rings
KD2558	Lynch Pin, 1/4"
KD2734-01	Sleeve, 1/2"
KD4887-03	Sleeve, 3/4"
KD5756	Special Nut, 3/8"-16
KD5824	Plate, R.H. (Shown)
KD5825	Plate, L.H.
KD5827	Cover
KD5829	Arm
KD5830	Angle Support, R.H. (Shown)
KD5831	Angle Support, L.H.
KD5835	Shaft, 7/8"x7"
KD5857	Spring
KD6551	Ring
KD6793	Stud, 5/8"-11x9 1/2" (Threaded both ends)
KD6819	Idler Sleeve, 7/16"
KD7127	Shear Coupler
KD7426	Sprocket
KD7822	Shaft, 7/8"x7"
KR0911	Offset Link, No. 40
KR0912	Connector Link, No. 40

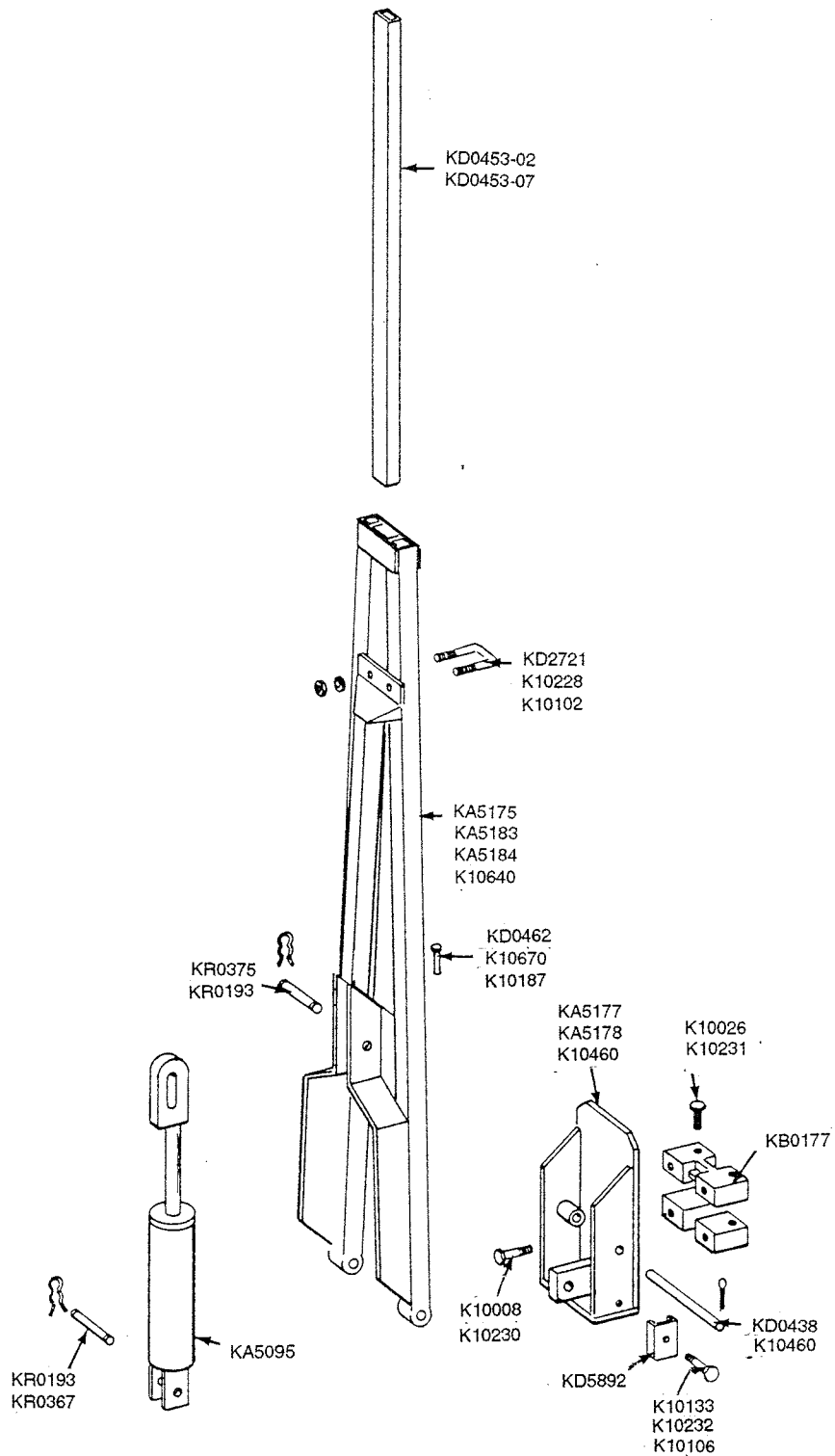
TRANSMISSION ASSEMBLY FOR 16, 18, AND 24 ROWS



TRANSMISSION ASSEMBLY FOR 16, 18, AND 24 ROWS

K10001	Hex Head Cap Screw, 3/8"-16x1"
K10016	Hex Head Cap Screw, 1/2"-13x2"
K10033	Hex Head Cap Screw, 1/2"-13x3 1/2"
K10037	Hex Head Cap Screw, 1/2"-13x1 1/4"
K10053	Hex Head Cap Screw, 1/2"-13x2 1/2"
K10102	Hex Nut, 1/2"-13
K10106	Hex Nut, 5/16"-18
K10107	Hex Nut, 5/8"-11
K10128	Machine Bushing, 1/2" (small)
K10203	Washer, 3/8" SAE
K10210	Washer, 3/8" USS)
K10216	Washer 1/2" USS (large)
K10228	Lock Washer, 1/2"
K10230	Lock Washer, 5/8"
K10232	Lock Washer, 5/16"
K10233	Machine Bushing
K10312	Carriage Bolt, 5/16"-18 3/4"
K10409	Retaining Ring 5/16"
K10435	Ring
K10445	Protective Closure
K10460	Cotter Pin, 1/4x2"
K10462	Cotter Pin, 5/16"x1
K10478	Clevis Pin, 5/16"x1"
K10602	Spring Pin, 1/4"x1 1/2"
K10641	Grease Fitting, 1/8" NPT
K10670	Hair Pin Clip, No. 3
K2100-03	Bearing, 7/8" Hex Bore, Spherical
K3400-01	Flangette
KA4235	Ratchet Wrench W/Protective Closure
KA4469	Idler Mount, L.H.
KA4470	Idler Mount, R.H.
KA5114	Sprocket, 30 Tooth
KA5116	Bearing, 7/8" Hex Bore, Cylindrical
KA5624	Special Bearing, 7/8" Hex Bore x 1.6"
KA5628	Idler W/Sprockets and Rings
KA5629	Transmission Plate W/Bearings, Grease Fittings and Retaining Rings
KD2558	Lynch Pin, 1/4"
KD2734-01	Sleeve, 1/2"
KD4887-03	Sleeve, 3/4"
KD5756	Special Nut, 3/8"-16
KD5824	Plate, R.H. (Shown)
KD5825	Plate, L.H.
KD5827	Cover
KD5829	Arm
KD5830	Angle Support, R.H. (Shown)
KD5831	Angle Support, L.H.
KD5835	Shaft, 7/8"x7"
KD5857	Spring
KD6551	Ring
KD6793	Stud, 5/8"-11x9 1/2" (Threaded both ends)
KD6819	Idler Sleeve, 7/16"
KD7127	Shear Coupler
KD7822	Shaft, 7/8"x7"
4319	Sprocket
900093	Sprocket, 15 Tooth
900094	Sprocket, 17 Tooth
900095	Sprocket, 19 Tooth
900096	Sprocket, 21 Tooth
900097	Sprocket, 23 Tooth
900098	Sprocket, 24 Tooth
900099	Sprocket, 25 Tooth
900100	Sprocket, 27 Tooth
900101	Sprocket, 28 Tooth
900102	Sprocket, 30 Tooth
900103	Idler Sprocket, 13 Tooth
900104	Idler Sprocket, 15 Tooth
900142.825	Hex shaft length, 8 1/4"
G169-0050	Chain, #50 (Specify length)
900143	Chain, #50 length 44 3/4"
900144	Chain, #50 length 48 1/2"

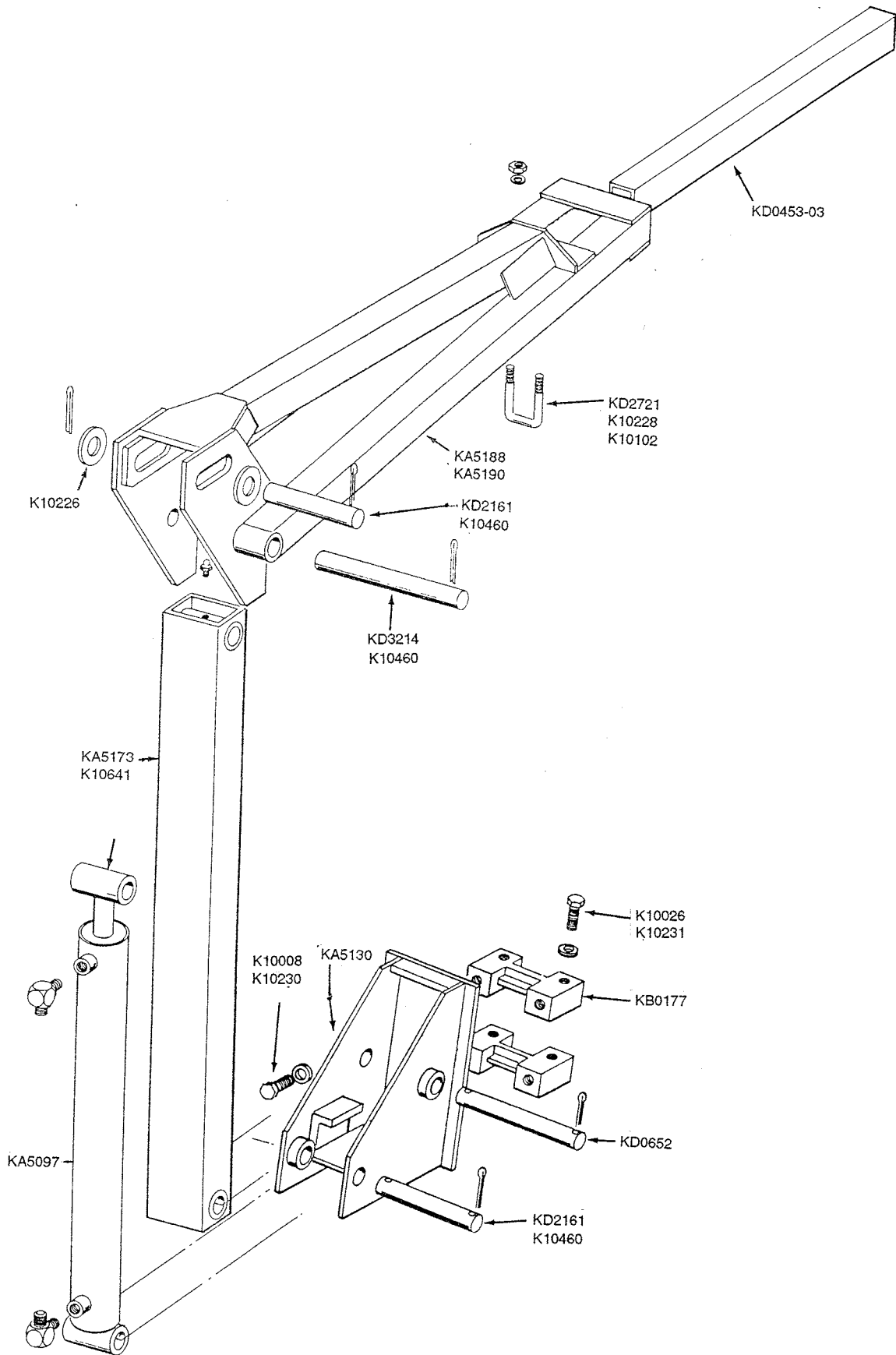
CONVENTIONAL MARKER ASSEMBLY, 4 ROW 30/36/38 AND 6 ROW 30



CONVENTIONAL MARKER ASSEMBLY, 4 ROW 30/36/38 AND 6 ROW 30

K10008	Hex Head Cap Screw, 5/8"-11x2", Grade 2
K10026	Hex Head Cap Screw, 3/4"-10x2"
K10102	Hex Nut, 1/2"-13
K10106	Hex Nut, 5/16"-18
K10133	Hex Head Cap Screw, 5/16"-18x1 1/2"
K10187	Spring Pin, 5/32"x2"
K10228	Lock Washer, 1/2"
K10230	Lock Washer, 5/8"
K10231	Lock Washer, 3/4"
K10232	Lock Washer, 5/16"
K10460	Cotter Pin, 1/4"x2"
K10640	Grease Fitting, 1/4"-28
K10670	Hair Pin Clip, No. 3
KA5095	Cylinder Complete 2"x8"
KA5175	Arm, 31 1/2", 4 Row 30
KA5177	Mount W/Grease Fittings, 4 Row 30
KA5178	Mount, 4 Row 36/38 and 6 Row 30
KA5183	Arm W/Grease Fittings, 58 1/2", 6 Row 30
KA5184	Arm W/Grease Fittings, 44 1/2", 4 Row 36/38
KB0177	Tap Block
KD0438	Pin, 13 1/2"
KD0453-02	Extension Tube, 40", 4 Row 30 and 6 Row 30
KD0453-07	Extension Tube, 45", 4 Row 36/38
KD0462	Lockup Pin
KD2721	U Bolt, 2"x2"x1/2"-13
KD5892	Hose Clamp
KR0193	Clip
KR0367	Pin, 2 7/8"
KR0375	Pin, 3 1/2"

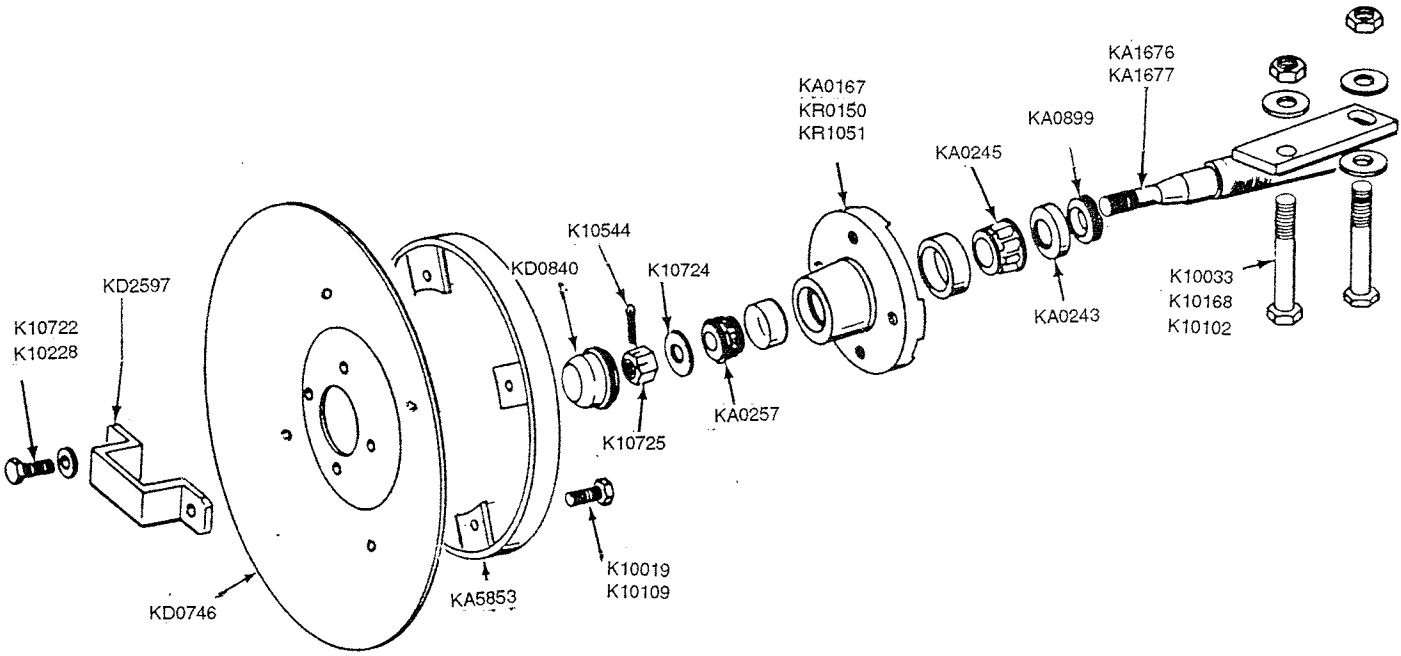
LOW PROFILE MARKER ASSEMBLY, 6 ROW 36/38 AND 8 ROW 30



LOW PROFILE MARKER ASSEMBLY, 6 ROW 36/38 AND 8 ROW 30

K10008	Hex Head Cap Screw, 5/8"-11x2", Grade 2
K10026	Hex Head Cap Screw, 3/4"-10X2"
K10102	Hex Nut, 1/2"-13
K10226	Washer, 1 1/4" SAE
K10228	Lock Washer, 1/2"
K10230	Lock Washer, 5/8"
K10231	Lock Washer, 3/4"
K10460	Cotter Pin, 1/4"x2"
K10641	Grease Fitting, 1/8"
KA5097	Cylinder Complete, 2"x20"
KA5130	Mount
KA5173	First Stage Arm W/Grease Fittings
KA5188	Second Stage Arm, 46", 8 Row 30
KA5190	Second Stage Arm, 35", 6 Row 36/38
KB0177	Tap Block
KD0453-03	Extension Tube, 50", 6 Row 36/38 and 8 Row 30
KD0652	Pin, 1 1/4"x9 1/2"
KD2161	Pin, 1 1/4"x8 1/4"
KD2721	U Bolt, 2"x2"x1/2"-13
KD3214	Pin, 1 1/4"x12 1/4"

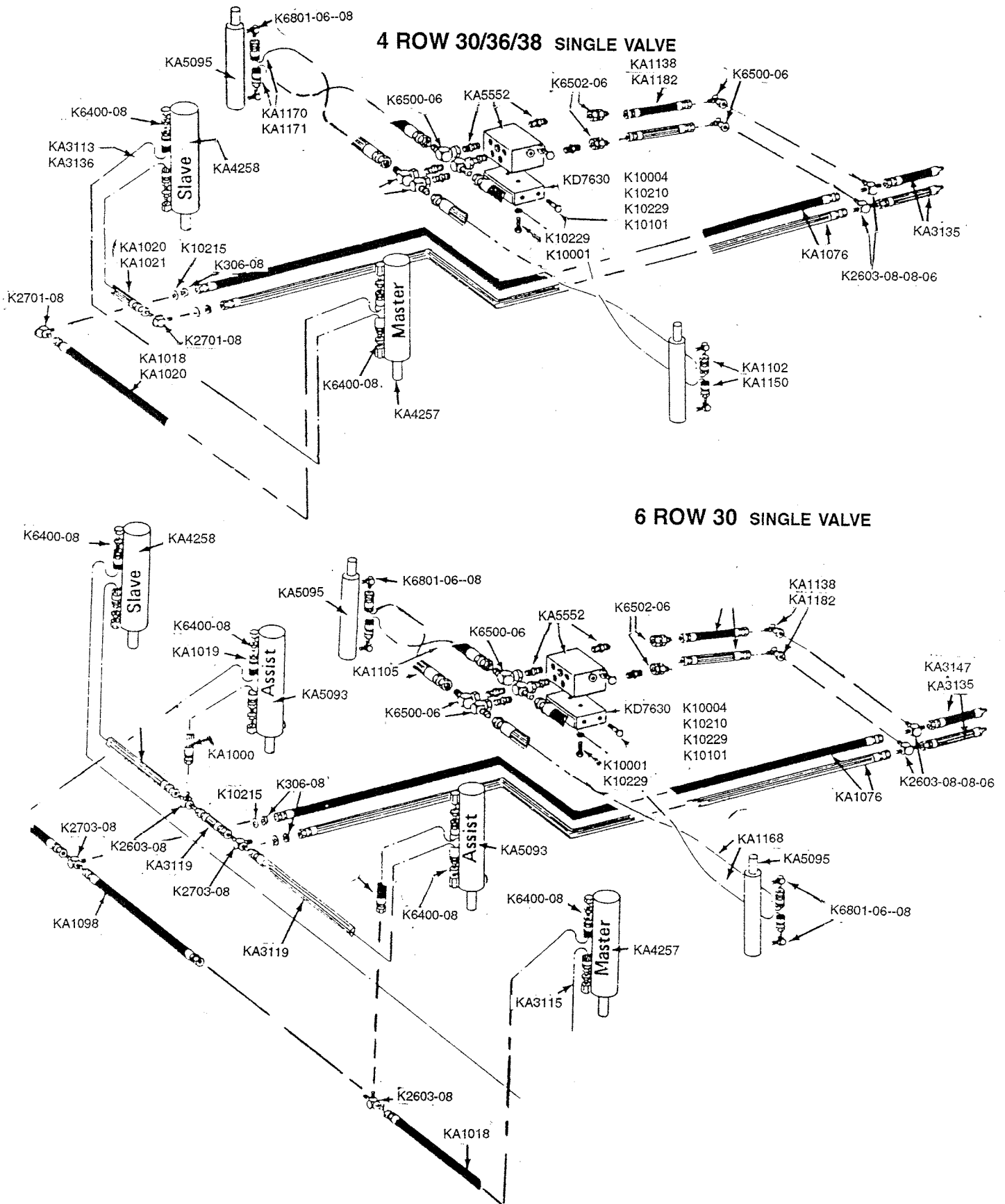
MARKER SPINDLE/HUB/BLADE



MARKER SPINDLE/HUB/BLADE

K10019	Hex Head Cap Screw, 5/16"-18x1"
K10033	Hex Head Cap Screw, 1/2"-13x3 1/2"
K10102	Hex Nut, 1/2"-13
K10109	Lock Nut, 5/16"-18
K10168	Machine Bushing, 1/2",7 Gauge
K10228	Lock Washer, 1/2"
K10544	Cotter Pin, 5/32"x1"
K10722	Hex Head Cap Screw, 1/2"-20x1"
K10724	Washer, 5/8"
K10725	Hex Slotted Nut, 5/8"-18
KA0167	Hub With Cups
KA0243	Grease Seal
KA0245	Inner Bearing
KA0257	Outer Bearing
KA0899	Rubber Seal
KA1676	Spindle, R.H.
KA1677	Spindle, L.H.
KA1678	Hub and Spindle Assembly, R.H.
KA1679	Hub and Spindle Assembly, L.H.
KA5853	Depth Band, 12 Row 30
KD0746	Blade, 16"
KD0840	Cap
KD2597	Retainer
KR0150	Inner Cup
KR1051	Outer Cup

HYDRAULIC SYSTEM CONVENTIONAL MARKER, 4 ROW 30/36/38 and 6 ROW 30

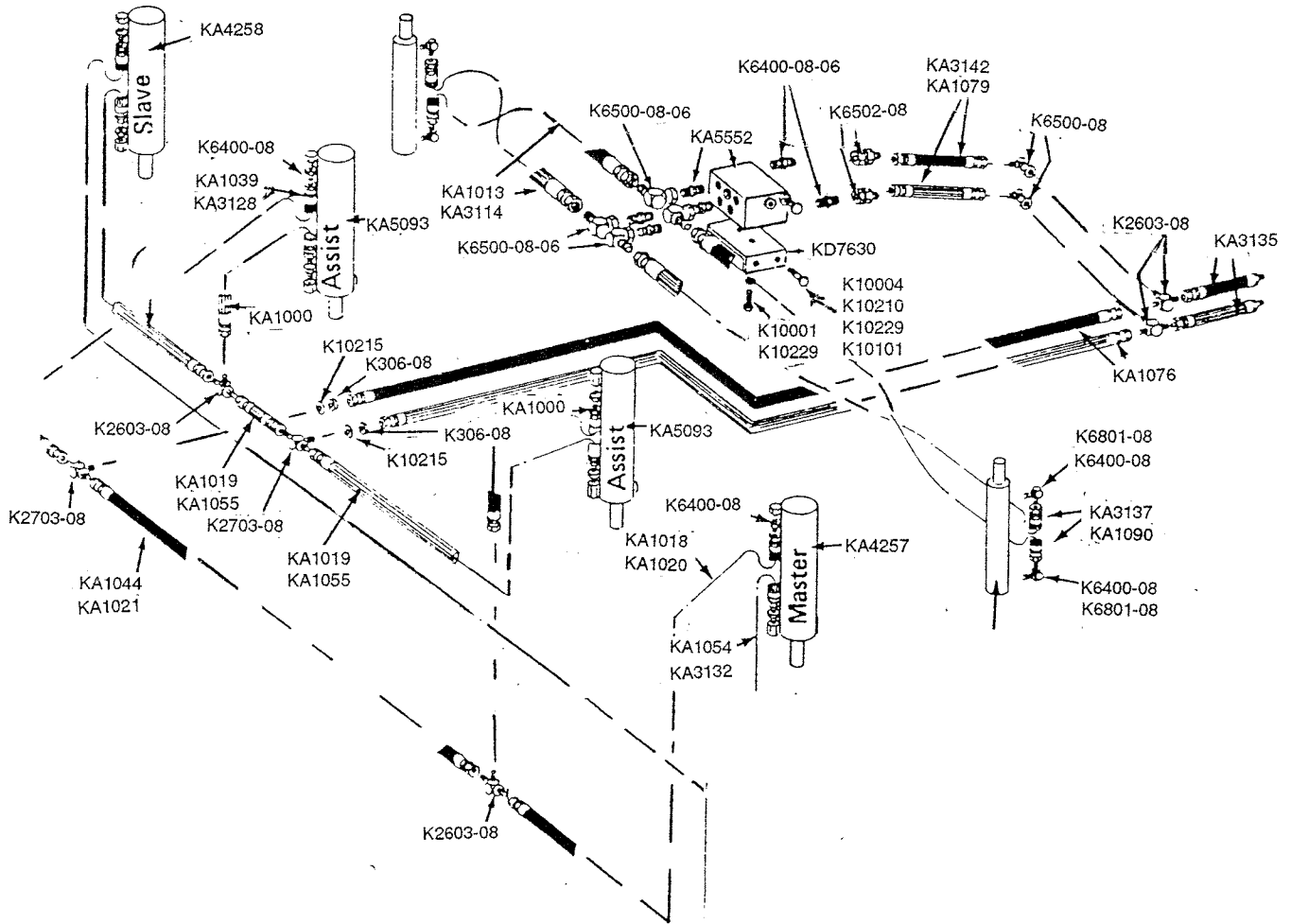


HYDRAULIC SYSTEM CONVENTIONAL MARKER, 4 ROW 30/36/38 AND 6 ROW 30

K10001	Hex Head Cap Screw, 3/8"-16x1"
K10004	Hex Head Cap Screw, 3/8"-16x1 1/4"
K10101	Hex Nut, 3/8"-16
K10210	Washer, 3/8" USS
K10215	Machine Bushing
K10229	Lock Washer, 3/8"
K2603-08	Tee, 3/4"-16 Male 37° JIC
K2603-08-08-06	Tee, 3/4"-16 Male 37° JIC to 9/16"-18 37° JIC
K2701-08	Elbow, 3/4"-16 Male 37° JIC
K2703-08	Bulkhead Tee, 3/4"-16 Male 37° JIC
K306-08	Lock Nut, 3/4"-16
K6400-08	Connector, 3/4"-16 Male O-Ring to 37° JIC
K6500-06	Elbow, 9/16"-18 Male 37° JIC to Female 37° JIC
K6502-06	Elbow, 45°, 9/16"-18 Male 37° JIC to Female
K6801-06--08	Elbow, 9/16"-18 Male 37° JIC to 3/4"-16 O-Ring
KA1000	Hose Assembly, 3/8"x15"
KA1018	Hose Assembly, 3/8"x40"
KA1019	Hose Assembly, 3/8"x44"
KA1020	Hose Assembly, 3/8"x48", 4 Row 36/38
KA1021	Hose Assembly, 3/8"x56", 4 Row 36/38
KA1076	Hose Assembly, 3/8"x30"
KA1098	Hose Assembly, 3/8"x26"
KA1102	Hose Assembly, 1/4"x90", 4 Row 30
KA1105	Hose Assembly, 1/4"x125"
KA1138	Hose Assembly, 1/4"x29"
KA1150	Hose Assembly, 1/4"x103", 4 Row 36/38
KA1168	Hose Assembly, 1/4"x120"
KA1170	Hose Assembly, 1/4"x95", 4 Row 30
KA1171	Hose Assembly, 1/4"x108", 4 Row 36/38
KA1182	Hose Assembly, 1/4"x30", With Double Frame Pkg.
KA3113	Hose Assembly, 3/8"x84", 4 Row 30
KA3115	Hose Assembly, 3/8"x146"
KA3119	Hose Assembly, 3/8"x36"
KA3135	Hose Assembly, 3/8"x100"
KA3136	Hose Assembly, 3/8"x100", 4 Row 36/38
KA3147	Hose Assembly, 3/8"x24", With hitch extension
KA4257	Master Lift Cylinder Complete, 3 1/2"x8"
KA4258	Slave Lift Cylinder Complete, 3 1/4"x8"
KA5093	Lift Assist Cylinder Complete, 2 1/2"x8"
KA5095	Conventional Marker Cylinder Complete, 2"x8"
KA5552	Marker Sequencing/Flow Control Valve Complete
KD7630	Mounting Angle

HYDRAULIC SYSTEM LOW PROFILE MARKER, 6 ROW 36/38 and 8 ROW 30

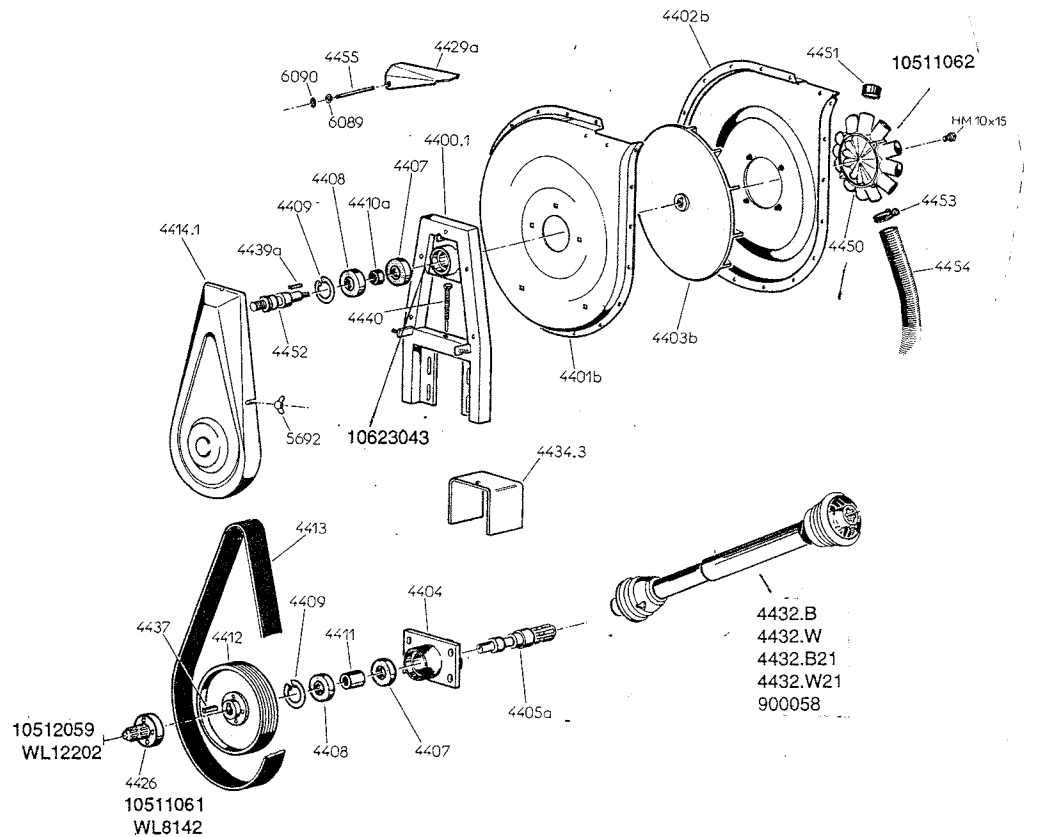
SINGLE VALVE



HYDRAULIC SYSTEM, 6 ROW 36/38 AND 8 ROW 30

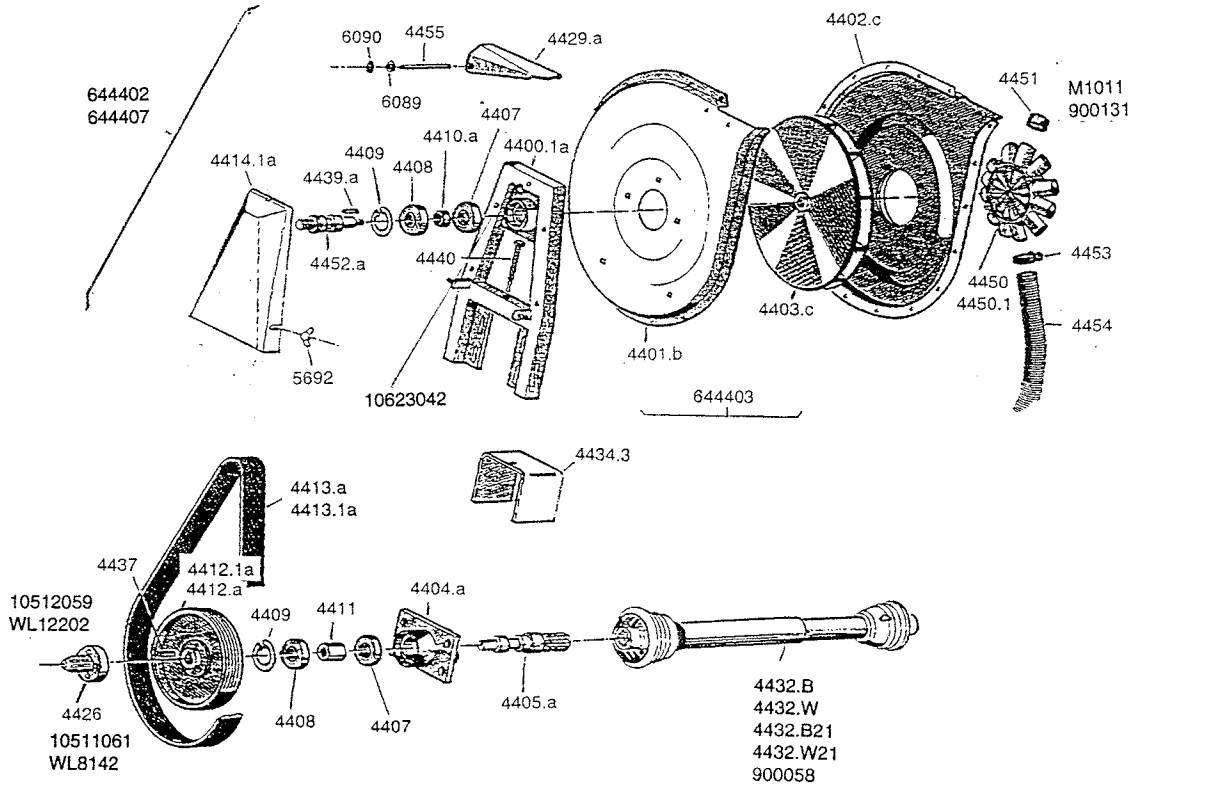
K10001	HHCS, 3/8"-16x1"
K10004	HHCS, 3/8"-16x1 1/4"
K10101	Hex Nut, 3/8"-16
K10210	Washer, 3/8" USS
K10215	Machine Bushing
K10229	Lock Washer, 3/8"
K2603-08	Tee, 3/4"-16 Male 37° JIC
K2703-08	Bulkhead Tee, 3/4"-16 Male 37° JIC
K306-08	Lock Nut, 3/4"-16
K6400-08	Connector, 3/4"-16 Male O-Ring to 37° JIC
K6400-08-06	Adapter, 3/4"-16 Male 37° JIC to 9/16"-18 O-Ring
K6500-08	Elbow, 3/4"-16 Male 37° JIC to Female 37° JIC
K6500-08-06	Elbow, 3/4"-16 Male 37° JIC to 9/16"-18 Female 37° JIC
K6502-08	Elbow, 45°, 3/4"-16 Male 37° JIC to Female 37° JIC
K6801-08	Elbow, 3/4"-16 Male 37° to 3/4"-16 O-Ring
KA1000	Hose Assembly, 3/8"x15"
KA1013	Hose Assembly, 3/8"x150", 6 Row 36/38
KA1018	Hose Assembly, 3/8"x40", 8 Row 30
KA1019	Hose Assembly, 3/8"x44", 6 Row 36/38
KA1020	Hose Assembly, 3/8"x48", 6 Row 36/38
KA1021	Hose Assembly, 3/8"x56", 8 Row 30
KA1039	Hose Assembly, 3/8"x76", 8 Row 30
KA1044	Hose Assembly, 3/8"x34", 6 Row 36/38
KA1054	Hose Assembly, 3/8"x204", 8 Row 30
KA1055	Hose Assembly, 3/8"x66", 8 Row 30
KA1076	Hose Assembly, 3/8"x30"
KA1079	Hose Assembly, 3/8"x24"
KA1090	Hose Assembly, 3/8"x162, 8 Row 30
KA3114	Hose Assembly, 3/8"x156", 8 Row 30
KA3128	Hose Assembly, 3/8"x52", 6 Row 36/38
KA3132	Hose Assembly, 3/8"x178", 6 Row 36/38
KA3135	Hose Assembly, 3/8"x100"
KA3137	Hose Assembly, 3/8"x140", 6 Row 36/38
KA3142	Hose Assembly, 3/8"x30", With Double Frame Pkg.
KA4257	Master Lift Cylinder Complete, 3 1/2"x8"
KA5093	Lift Assist Cylinder
KD7630	Mounting Angle

TURBOFAN



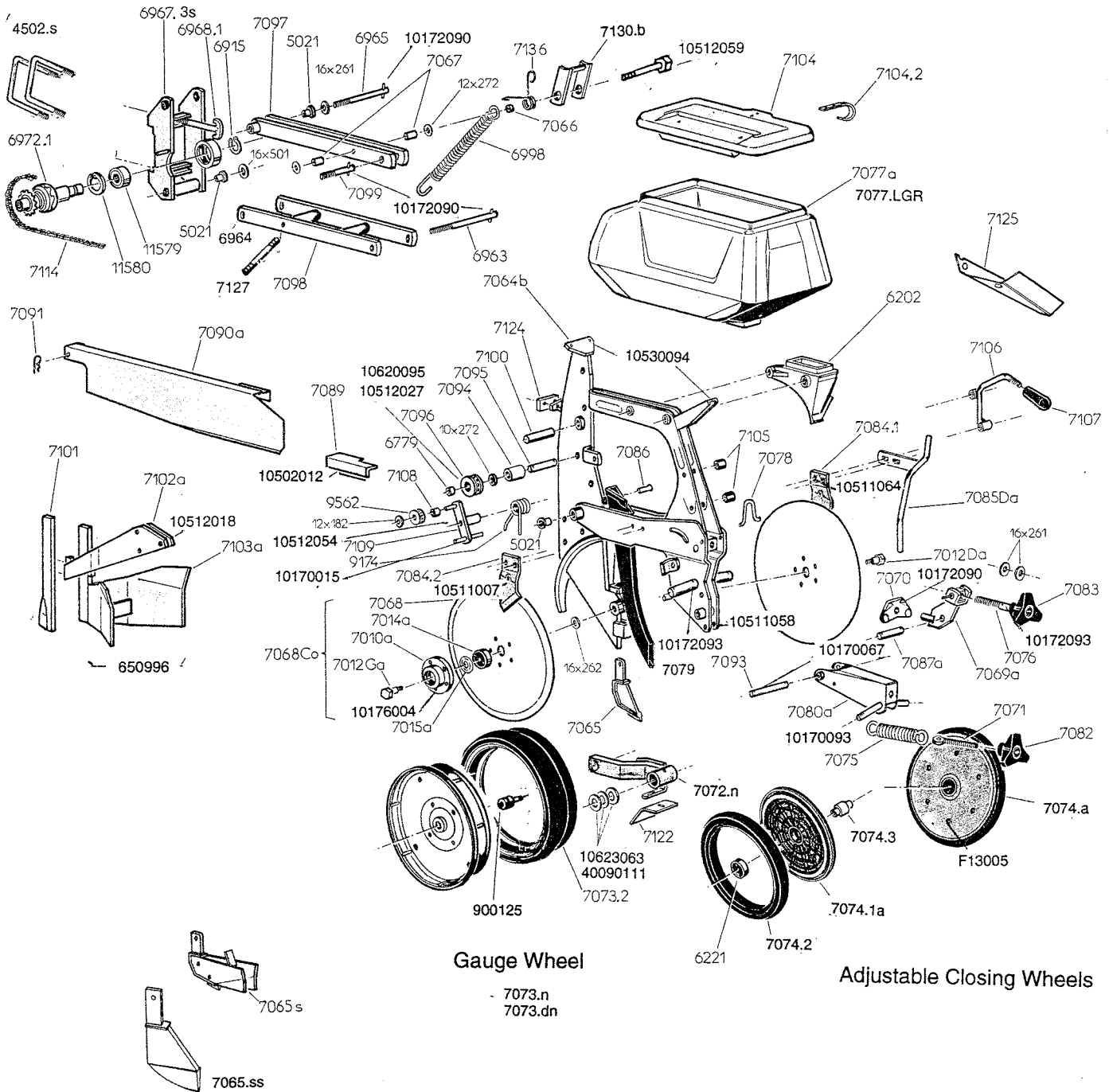
4400.1	Support frame turbofan	4437	Lock Key 8x7x40
4401.b	Turbofan housing drive belt side	4439.a	Lock key 6x6
4402.b	Turbofan housing manifold side	4440	Bolt to adjust belt tension
4403.b	Turbofan	4450	12-hole manifold
4404	Support bracket turbofan	4450.1	18-hole manifold
4405.a	Spindle with adaptor	4451	Plastic cap
4407	Bearing 62mm (62062RS)	4452	Upper spindle turbofan, 540
4408	Bearing 72mm (63062RS)	4452.1	Upper spindle turbofan, 450
4409	Snapping (large) 72i	4453	Hose clamp
4410.a	Bushing upper shaft	4454	Vacuum hose specify length
4411	Bushing	4455	Pin outlet shield
4412	Pulley - 540/450 rpm (S193)	6089	Rubber ring
4412.1	Pulley 1000 rpm (S193.1)	6090	Snap ring 6mm
4412.2	Pulley - 540/450 rpm for pump adaptor	1051209	Center bolt 12x120
4412.3	Pulley - 1000 rpm with 4 holes	10511061	Bolt 8x50 for p.pulley
4413	Pulley belt 540/450 rpm (1168J460)	10511062	Bolt 8x55 for 12h manifold
4413.1	Pulley belt 1000 rpm (955J375)	10623043	Washer, support frame
4414.1	Cover shield	WL12202	Lock washer for 12x120 bolt
4414.2	Cover shield for pump pulley	WL8142	Lock washer for 8x50 bolt
4426	Pump Pulley		
4432.B	PTO drive shaft complete, 540, 54", constant velocity, Bondioli		
4432.W	PTO drive shaft complete, 540, 54", constant velocity, Walterscheid		
4432.B21	PTO drive shaft complete, 1000, 54", 21 spline, constant velocity, Bondioli		
4432.W21	PTO drive shaft complete, 1000, 54", 21 spline, constant velocity, Walterscheid		
900058	PTO drive shaft complete heavy duty, 36", 20 spline constant velocity		
B41202	Cross & Bearing Kit, 540, Bondioli,		
W367701	Cross & Bearing Kit, 540, Walterscheid, (need 2)		
B412040012	Cross & Bearing Kit, 1000, Heavy-duty, 20 spline, Bondioli		
4432.2B	Tractor end PTO, 540 Bondioli		
4432.2W	Tractor end PTO, 540 Walterscheid		
4432.2B21	Tractor end PTO, 1000 Bondioli		
4432.2W21	Tractor end PTO, 1000 Walterscheid		
900058.2	Tractor end PTO, Heavy Duty		

HI-OUTPUT TURBOFAN Standard for 8-Row Wide, & 24-Row Pull-type



- | | | | |
|------------|---|----------|---|
| 4400.1a | Support frame hi-output turbofan | 4439.a | Lock key 6x6 |
| 4401.b | Hi-output turbofan housing drive belt side | 4440 | Bolt to adjust belt tension |
| 4402.c | Hi-output turbofan housing manifold side | 4450 | Manifold, 12 hole |
| 4403.c | Hi-output NG Plus fan | 4450.1 | Manifold, 18 hole |
| 4404.a | Hi-output turbofan support bracket | M1011 | Manifold, 6" for 24-row |
| 4405.a | Spindle with adaptor | 900131 | Rubber gasket for M1011 |
| 4407 | Bearing 62mm (62062RS) | 4451 | Plastic cap |
| 4408 | Bearing 72mm (63062RS) | 4452.a | Hi-output turbofan upper spindle 1 1/8" |
| 4409 | Snapping (large) | 4453 | Hose clamp |
| 4410.a | Bushing upper shaft | 4454 | Vacuum hose, specify length |
| 4411 | Bushing | 4455 | Pin outlet shield |
| 4412.a | Hi-output turbofan pulley 500 rpm 11 3/8" Dia. | 5692 | Wing nut 10 mm |
| 4412.1a | Hi-output turbofan pulley 925 rpm 5 7/8" Dia. | 6089 | Rubber ring |
| 4413.a | Hi-output turbofan belt for 500 rpm | 6090 | Snapping 6mm |
| 4413.1a | Hi-output turbofan belt for 925 rpm | 644402 | Hi-output turbofan, complete 500 rpm |
| 4414.1a | Hi-output turbofan cover shield | 644407 | Hi-output turbofan, complete 1000 rpm |
| 4426 | Pump pulley | 900145 | PVC tubing attaches M1011 for 24-row |
| 4432.B | PTO drive shaft complete, 540, 54", cv Bondioli | 10512059 | Center bolt, 12x120 |
| 4432.W | PTO drive shaft complete, 540, 54", cv Walterscheid | WL12202 | Lock washer for center bolt, 12x20x2 |
| 4432.B21 | PTO drive shaft complete, 1000, 21 spline, 54", cv Bondioli | 10511061 | Bolt for attachment pump pulley, 8x50 |
| 4432.W21 | PTO drive shaft complete, 1000, 21 spline, 54", cv Walterscheid | WL8142 | Lock washer for 8x50 bolt |
| 900058 | PTO drive shaft complete heavy-duty, 36", 20 spline cv | 10623042 | Washer |
| B41202 | Cross & Bearing Kit, 540 Bondioli | | |
| W367701 | Cross & Bearing Kit, 540 Walterscheid (need 2) | | |
| B412040012 | Cross & Bearing Kit, 1000, Heavy-duty 20 spline Bondioli | | |
| 4432.2B | Tractor end PTO, 540 Bondioli | | |
| 4432.2W | Tractor end PTO, 540 Walterscheid | | |
| 4432.2B21 | Tractor end PTO, 1000 Bondioli | | |
| 4432.2W21 | Tractor end PTO, 1000 Walterscheid | | |
| 900058.2 | Tractor end PTO, Heavy Duty | | |
| 4437 | Lock key 8x7x40 | | |

PLANTING UNIT - NG PLUS

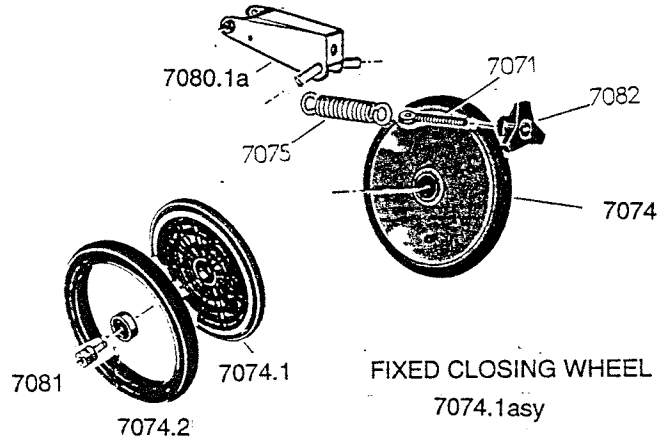
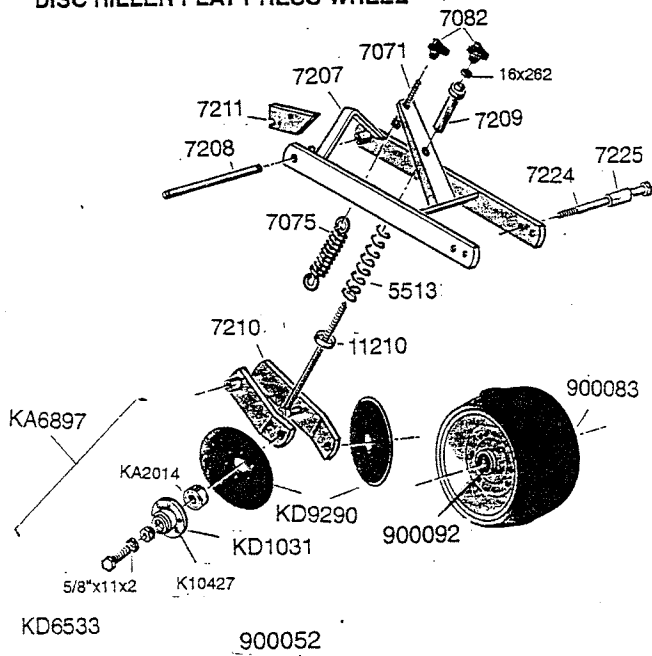


PLANTING UNIT - NG PLUS

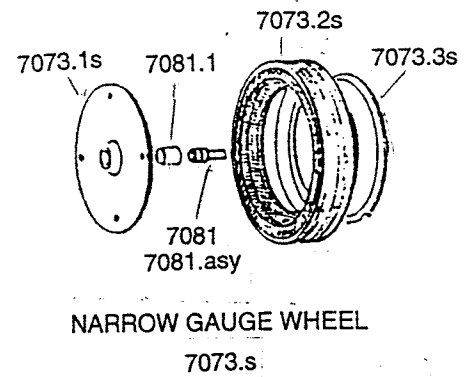
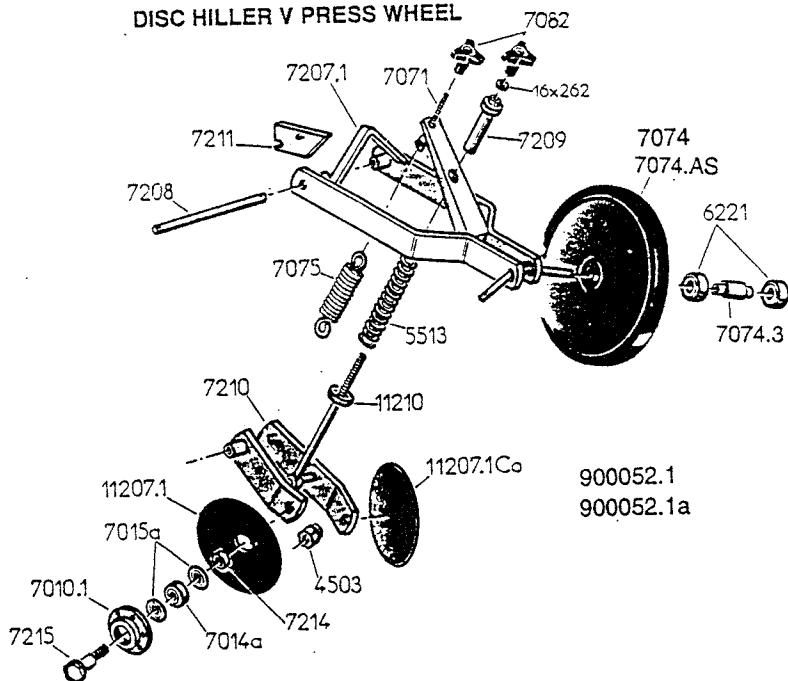
4502.s	U bolt, 7x7	7100	Self-lubricating bushing
5021	Bushing B25)	7101	Front brace clod remover
6202	Collar brace for cover	7102.a	Clod remover bracket 1991-
6221	Bearing	7103.a	Clod remover 1991-
6779	Bushing, self-lubricating	7104	Lid, plastic hopper, 45 & 60 ltr
6915	Snapping 30mm	7104.2	Spring, plastic hopper, 45 & 60 ltr
6963	Pivot pin rear, lower parallel linkage	7105	Spacers, for unit 1991-
6064	Pivot pin front, lower parallel linkage	7106	Metal handle for unit lockup 1991-
6965	Pivot pin front, upper parallel linkage	7106.asy	Handle assembly for unit lockup 1991-
6967.3s	Unit mounting bracket, 7x7	7107	Plastic handle for unit lockup
6968.1	Bolt with nut	7108	Bushing
6972.1	Safety clutch	7109	Chain tightner
6998	Spring	7114	Drive chain metering unit
7010.a	Disc hub	7122	Gauge wheel scraper only w/hardware
7012.da	Removeable righthand spindle	7124	Unit stop
7012.ga	Removeable lefthand spindle	7125	Seed chute
7014.a	Disc bearing (3204-2RS)	7127	Threaded rod
7015.a	Washer (6204 ID)	7130.b	Unit lockup 1995-
7064.b	Main frame planting unit 1993-	7130.basy	Unit lockup assembly with handle
7065	Interchangeable cast point	7136	Spring
7065.s	V shoe insert small seed	9174	Tension spring (R160)
7065.ss	V-slice insert	9562	Chain roller for tightner (G12AS)
7066	Bushing; unit lock-up spring	11579	Bearing (30x55x13)
7067	Spacers for unit lockup	11580	Snapping (I55)
7068	Opening disc, 0380mm	650996	Clod remover assembly
7068.c0	Opening disc complete w/hub & bearing	900125	Bearing, 40mm for7073.n
7069.a	Adjustable block for depth control	10170015	Cotter pin, 2.5x5
7070	Swing bracket	10170067	Cotter pin, 5x40
7071	Tension rod	10170093	Cotter pin, 6x40
7072.n	Gauge wheel arm for nylon wheel	10172090	Roll pin, 6x25
7073.2	Rubber wheel only	10172093	Roll pin, 6x40
7073.n	Complete gauge wheel, nylon	10176004	Rivet, 6x22
7073.dn	Pair double gauge wheels, nylon w/bearing	10502012	Hex screw, 10x15
7074.a	Complete adjustable closing wheel	10511007	Bolt, 6x100
7074.1a	Rim, adjustable closing wheel	10511058	Bolt, 8x35
7074.2	Rubber wheel only, closing wheel	10511064	Bolt, 8x70
7074.3	Spindle, adjustable closing wheel	10512018	Bolt, 10x35
7075	Spring, closing wheel	10512027	Bolt, 10x100
7076	Rod for pressure adjustment	10512054	Bolt, 12x70
7077.a	Plastic hopper, 45 ltr	10512059	Bolt, 12x120
7077.lrg	Plastic hopper, 60 ltr	10530094	Bolt, 6x20
7078	Wirestop depth rod	10620095	Washer, 10.5x27x2
7079	Blank tube	10623063	Washer, 26x41x2
7079.1	Standard tube only	F13005	HCS 1/4-20x1 z5
7079.2	Standard tube with sensor	40090111	Spacer
7079.3	Peanut tube only		
7079.3s	Peanut tube with sensor		
D1700270S1	Standard sensor only		
7080.a	Bracket adj closing wheel 1991-		
7082	Handwheel pressure control		
7083	Handwheel depth control		
7084.1	Right outside scraper		
7084.2	Left outside scraper		
7085.da	Insecticide drop tube, right		
7086	Pin, seed tube		
7087.a	Pin, for adj block depth control, uses 2 5x40 cotter pins		
7089	Small chain shield		
7090.a	Chain guard 1991-		
7091	Hair pin		
7093	Pivot pin		
7094	Bushing		
7095	Pivot pin		
7096	Chain roller		
7097	Upper parallel linkage arm		
7098	Lower parallel linkage arm		
7099	Pivot pin rear, upper parallel linkage		

WHEELS, PLANTING UNIT

DISC HILLER FLAT PRESS WHEEL



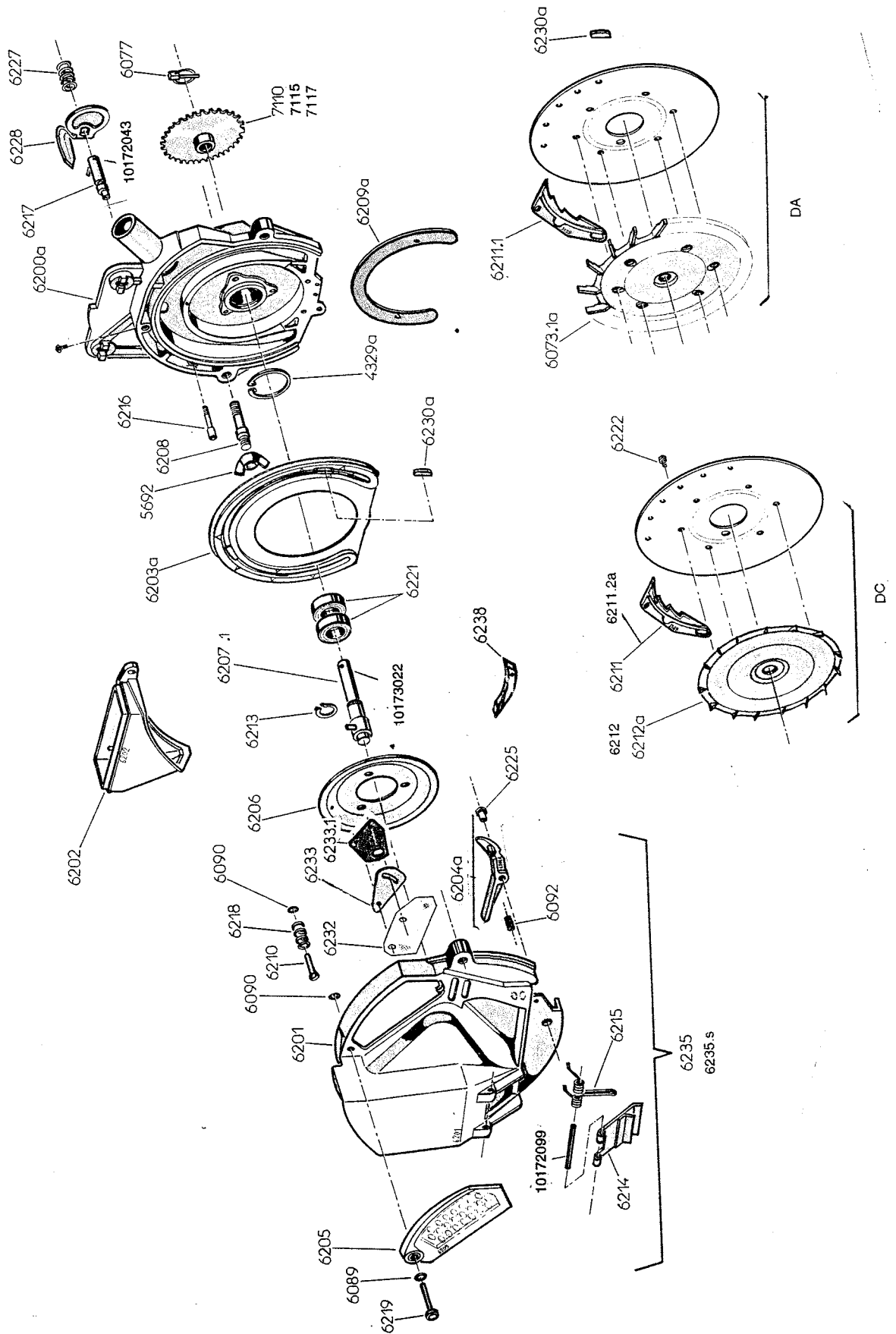
DISC HILLER V PRESS WHEEL



WHEELS, PLANTING UNIT

4503	Locking nut, 16mm
5513	Pressure spring
6221	Bearing
7010.1	Disc hub only
7014.a	Disc bearing (3204 2RS)
7015.a	Washer (6204 ID)
7071	Tension rod
7073.s	Narrow gauge wheel complete assembly
7073.1s	Narrow gauge wheel hub
7073.2s	Narrow gauge wheel tire
7073.3s	Narrow gauge wheel, 1/2 rim
7074	Complete closing wheel
7074.as	Adjustable steel closing wheel
7074.1	Rim, fixed closing wheel
7074.1asy	Fixed closing wheel, complete
7074.2	Rubber wheel only, closing wheel
7074.3	Spindle, adjustable closing wheel
7075	Spring, closing wheel
7080.1a	Bracket, fixed closing wheel 1991-
7081	Bearing
7081.1	Bushing
7081.1asy	Bearing with bushing assembly
7082	Handwheel pressure control
7207	Rear wheel frame for disc press wheel
7207.1	Rear wheel frame for disc V wheel
7208	Rear wheel frame shaft
7209	Tube for rear wheel frame
7210	Disc holder
7211	Rear wheel frame stop
7214	Disc spacer washer
7215	Screw for hub shaft on disc
7224	Shaft for rear press wheel
7225	Rear spacer
11207.1	Closing disc only
11207.1co	Closing disc assembly
11210	Shield cap of disc hub
900052	Disc hiller flat press wheel complete
900052.1	Dis hiller standard V press wheel complete
900052.1a	Disc hiller steel V press wheel complete
900083	Hiller press wheel 6 1/2x12
900092	Bearing
K10427	Rivet button head 1/4x1/2
KA2014	Bearing, closing disc
KA6897	Blade and bearing assembly
KD1031	Bearing housing hiller disc
KD6533	Hub cap
KD9290	Hiller disc 8" diameter

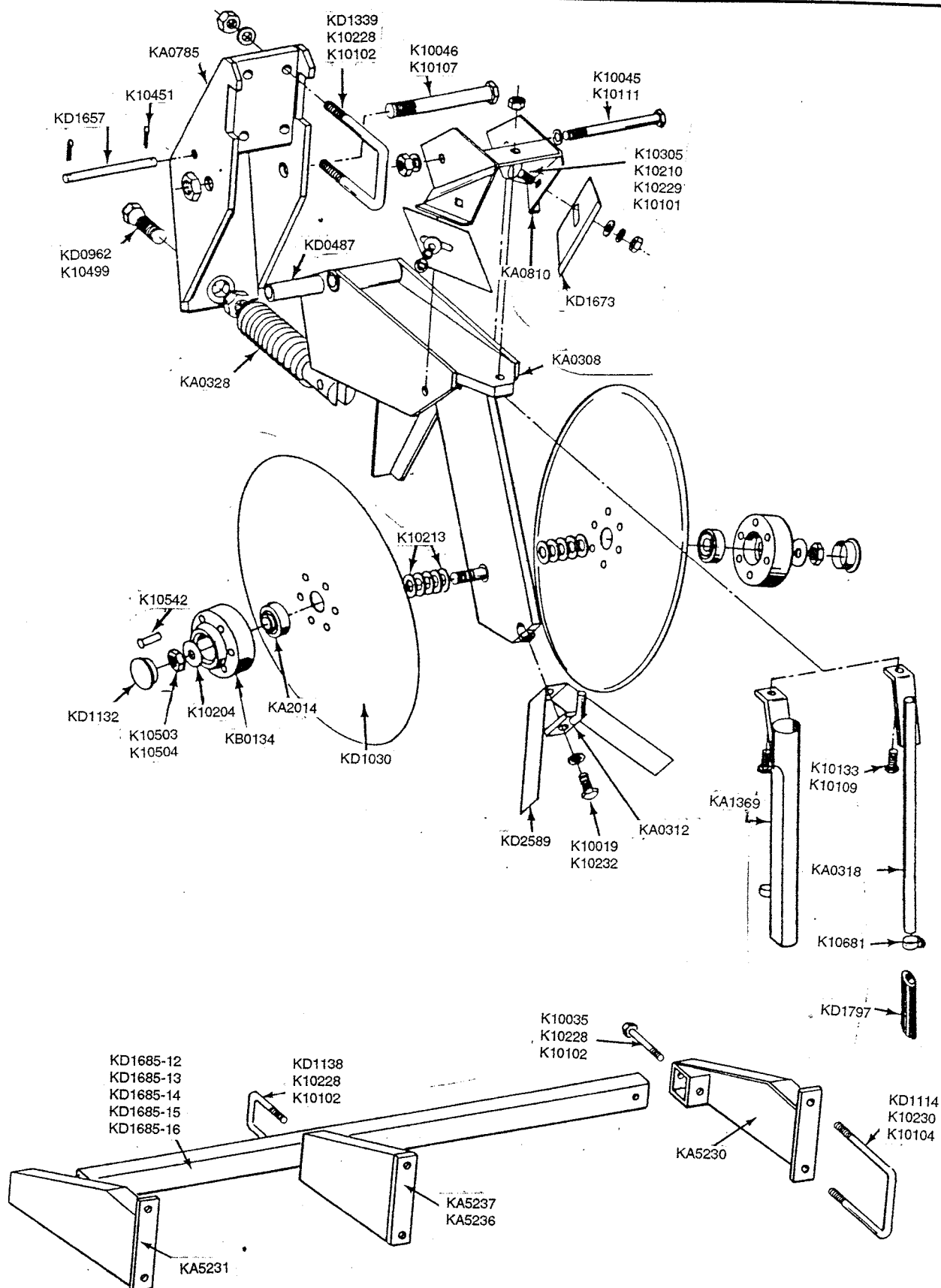
METERING BOX - NG PLUS



METERING BOX - NG PLUS

4329.a	Snapring	DC3622	36 hole, 2.2mm, sorghum, low population
5692	Wing nut, 10 mm	DC3635	36 hole, 3.5mm, cotton, low population
6073.1a	Finger wheel 18 cell	DC3660	36 hole, 6.0mm, peanut/beans, large
6077	Lynch pin	DC3665	36 hole, 6.5mm, peanut (large, jumbo) beans (large Kidney)
6089	Rubber ring	DC4016	40 hole, 1.6mm, sugarbeets, small, medium, large
6090	Snapring 6mm	DC4020	40 hole, 2.0mm, sugarbeets, medium, large pellets
6092	Spring (R132)	DC4060	40 hole, 6.0mm, peanut, small to medium
6200.a	Housing for metering box only	DC4850	48 hole, 5.0mm, beans, large (pinto)
6201	Cover	DC6035	60 hole, 3.5mm, beans, small (navy)
6202	Collar brace for cover	DC6045	60 hole, 4.5mm, beans medium (snap) & soybeans
6203.a	Plastic insert	DC7210	72 hole, 1.0mm onion, high population
6204.a	Bronze ejector block assembly	DC7212	72 hole, 1.2mm cabbage/cauliflower, high population
6205	Control window	DC7222	72 hole, 2.2 mm sorghum, high population
6206	Tightening cap	DC7235	72 hole, 3.5mm, cotton, high population
6207.1	Shaft metering box	DC7612	76 hole, 1.2mm, pepper/tomato, high population
6208	Tightening rod cover		
6209.a	Brace for plastic insert	DN.....	Seed disc only (stainless steel portion with holes) less agitator, order seed disc number preceded by DN
6210	Pressure pin scraper		
6211	Standard scraper		
6211.1	Scraper for finger wheel 6073.1a		
6211.2	Scraper use with peanuts, large seed		
6212	Agitator, aluminum, for sugarbeets, pickles		
6212.a	Agitator, brass, standard		
6213	Snapring (E20)		
6214	Trap door		
6215	Spring for trap door		
6216	Fixed pin scraper		
6217	Adjustable pin scraper		
6218	Pressure spring		
6219	Pin control window		
6221	Bearing		
6222	Hardware for 6212.a agitator		
6225	Casing for ejector block spring		
6227	Spring, selector handle		
6228	Selector handle		
6230.a	Removable plug		
6232	Gasket inside metering box cover		
6233	Gate inside metering box cover		
6233.1	Special plate for small seed		
6235.2	Complete cover, standard		
6235.s	Special peanut cover, complete		
6238	Ejector, peanuts		
7110	Sprocket, 27 tooth		
7115	Sprocket, 26 tooth		
7117	Dual sprocket, 27-12 tooth		
9999.NG	Metering box complete NG		
9999.NG+	Metering box complete NG+		
10172043	Roll pin, 4x35		
10172099	Roll pin, 6x70		
10173022	Roll pin, 8x50		
	<u>Standard Seed Discs. Complete with Agitator</u>		
DC0325	3 hole, 2.5mm, melons, low population		
DC3x2x2.5	3 hole, 2.5mm, melons, double seed drop		
DC0335	3 hole, 3.5mm, pumpkin, low population		
DC0625	6 hole, 2.5mm, melons, medium population		
DC0635	6 hole, 3.5mm, pumpkin, medium population		
DC0925	9 hole, 2.5mm, melons, high population		
DC0930D	9 hole, 3.0mm, hilldrop cotton, double seed drop		
DC0930T	9 hole, 3.0mm, hilldrop cotton, triple seed drop		
DC0935	9 hole, 3.5mm, pumpkin, high population		
DC1225	12 hole, 2.5mm, sunflower, low population (oils & confection)		
DC1230D	12 hole, 3.0mm, hilldrop cotton, double seed drop		
DC1230T	12 hole, 3.0mm, hilldrop cotton, triple seed drop		
DC1820	18 hole, 2.0mm, cucumber, hand harvest		
DC1825	18 hole, 2.5mm, sunflower, high population (oils & confection)		
DC1850	18 hole, 5.0mm, corn, low population		
DC2437	24 hole, 3.7mm, sweetcorn (small seed)		
DC2445	24 hole, 4.5mm, sweetcorn (large seed)		
DC2450	24 hole, 5.0mm, corn, medium population		
DC3016	30 hole, 1.6mm, sugarbeets (small-medium)		
DC3020	30 hole, 2.0mm, pickles, machine harvest		
DC3050	30 hole, 5.0mm, corn, high population		
DC3065	30 hole, 6.5mm, kidney beans, large peanuts		
DC3610	36 hole, 1.0mm, onion, low population		
DC3612	36 hole, 1.2mm, cabbage/cauliflower/pepper/tomato low population		

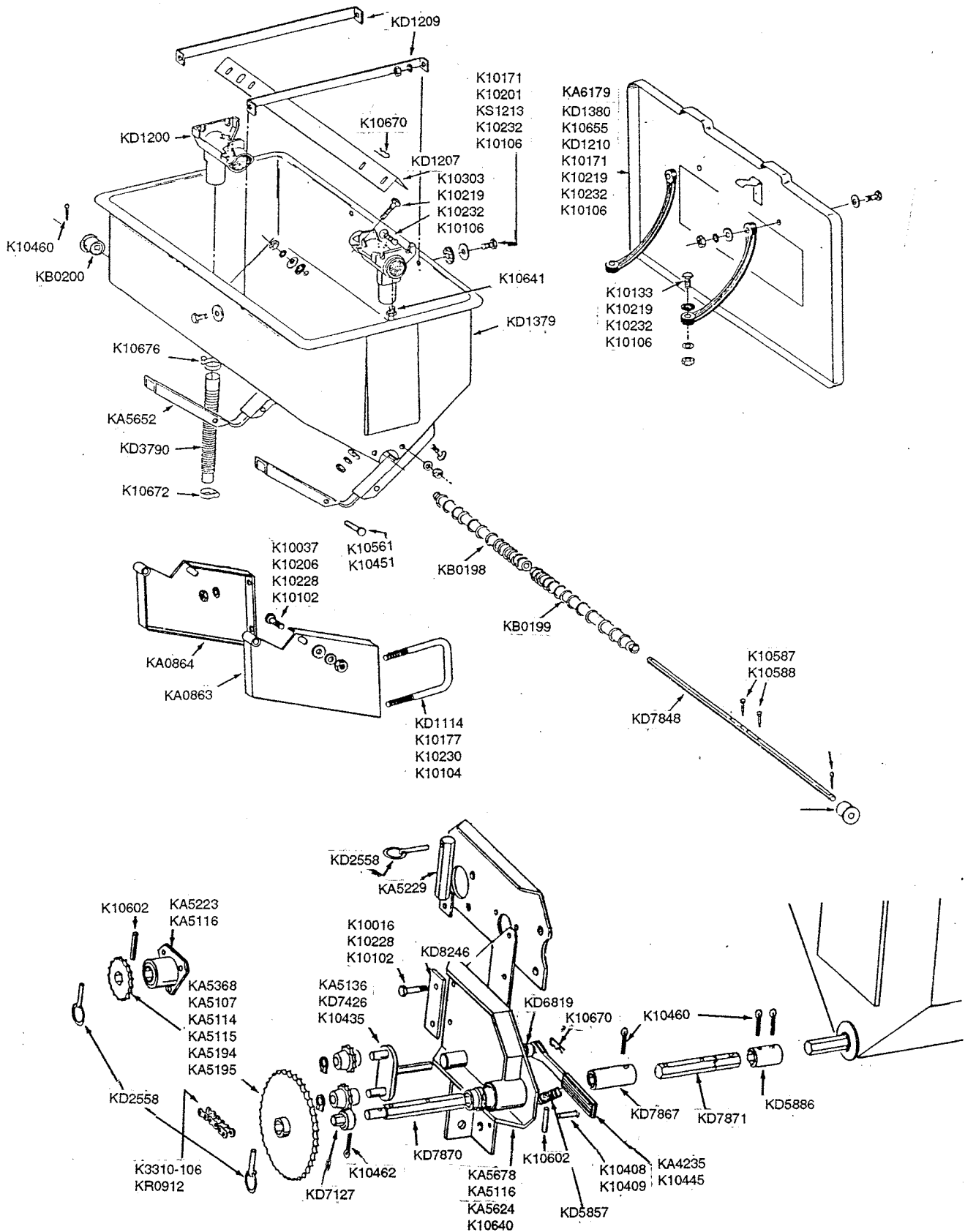
DOUBLE DISC FERTILIZER OPENER AND MOUNTING BAR



DOUBLE DISC FERTILIZER OPENER AND MOUNTING BAR

K10019	Hex Head Cap Screw, 5/16"-18x1"
K10035	Hex Head Cap Screw, 1/2"-13x4"
K10045	Hex Head Cap Screw, 1/2"-13x4 1/2"
K10046	Hex Head Cap Screw, 5/8"-11x5"
K10101	Hex Nut, 3/8"-16
K10102	Hex Nut, 1/2"-13
K10104	Hex Nut, 5/8"-11
K10107	Lock Nut, 5/8"-11
K10109	Lock Nut, 5/16"-18
K10111	Lock Nut, 1/2"-13
K10133	Hex Head Cap Screw, 5/16"-18x1 1/2"
K10204	Machine Bushing, 21/32"
K10210	Washer, 3/8" USS
K10213	Machine Bushing, 11/16"
K10228	Lock Washer, 1/2"
K10229	Lock Washer, 3/8"
K10230	Lock Washer, 5/8"
K10232	Lock Washer, 5/16"
K10305	Carriage Bolt, 3/8"-16x1"
K10451	Cotter Pin, 1/8"x1"
K10499	Jam Nut, 5/8"-18
K10503	Jam Nut, R.H., 5/8"-11
K10504	Jam Nut, L.H., 5/8"-11
K10542	Rivet, 1/4"x1 5/16"
K10681	Clamp, No. 6
KA0308	Shank
KA0312	Mount
KA0318	Drop Tube, Liquid Fertilizer
KA0320	Disc and Bearing Assembly (KB0134, KA2014, KD1030, K10542)
KA0328	Spring
KA0785	Bracket
KA0810	Scraper Mount
KA1369	Drop Tube, Dry Fertilizer
KA2014	Bearing
KA5230	Support, R.H., Single Frame Planters Only
KA5231	Support, L.H., Single Frame Planters Only
KA5236	Support, R.H., 8 Row Only
KA5237	Support, L.H., 8 Row Only
KB0134	Hub
KD0487	Bushing
KD0962	Hex Head Adjusting Bolt, 5/8"-18
KD1030	Blade
KD1114	U-Bolt, 7"x7"x5/8"-11
KD1132	Cap
KD1138	U Bolt, 2 1/2"x2 1/2"x 1/2"-13
KD1339	U-Bolt, 2 1/2" x 2 1/2" x 1/2"-13
KD1673	Scraper
KD1657	Lockup Pin
KD1685-12	Bar, 205", 6 Row 36/38
KD1685-13	Bar, 165", 6 Row 30
KD1685-14	Bar, 105", 4 Row 30
KD1685-15	Bar, 129", 4 Row 36/38
KD1685-16	Bar, 225", 8 Row 30
KD1797	Extension
KD2589	Inner Scraper

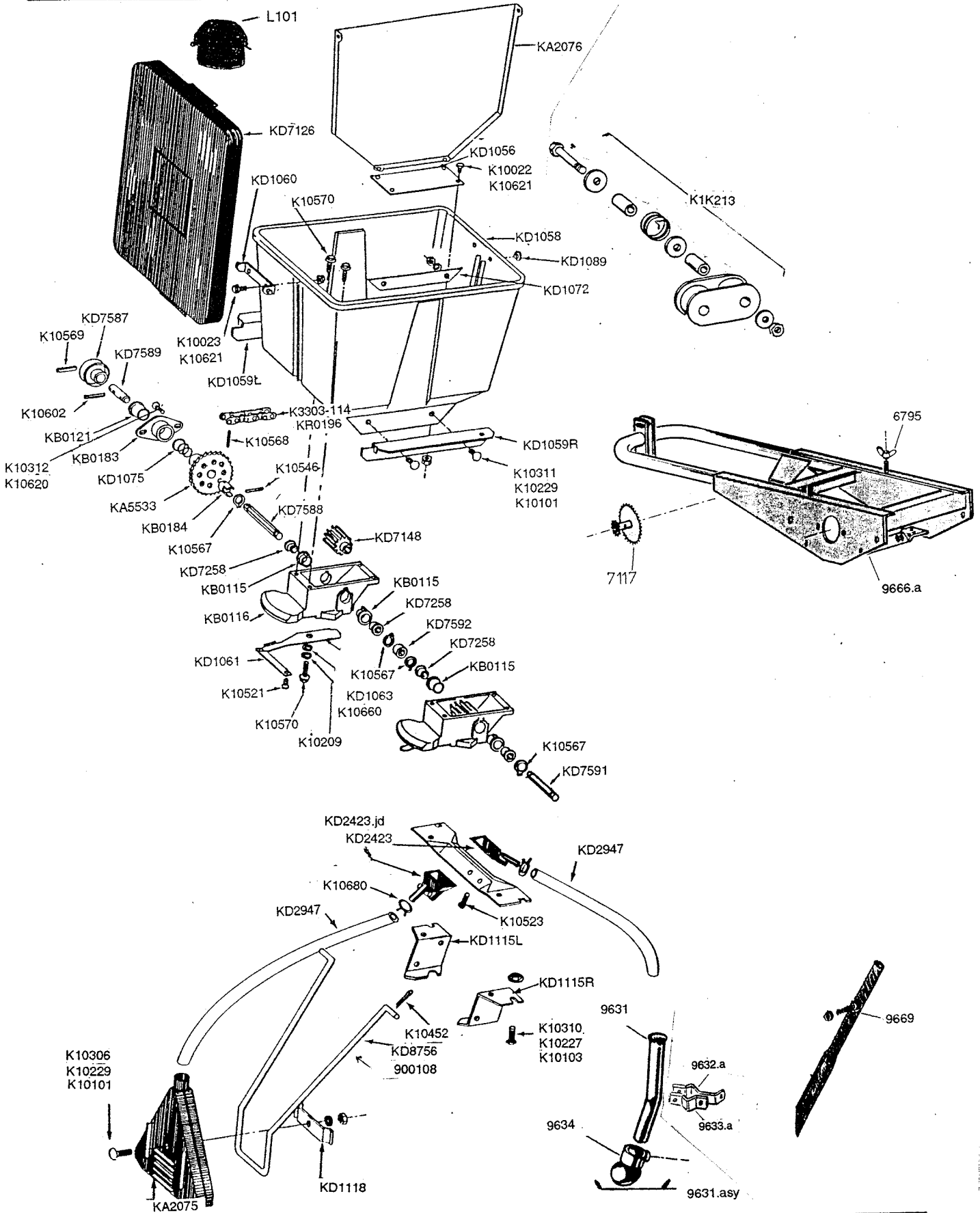
DRY FERTILIZER TRANSMISSION ASSEMBLY, HOPPER AND MOUNTS



DRY FERTILIZER TRANSMISSION ASSEMBLY, HOPPER AND MOUNTS

K10016 Hex Head Cap Screw, 1/2"-13x2"
K10037 Hex Head Cap Screw, 1/2"-13x1 1/4"
K10102 Hex Nut, 1/2"-13
K10104 Hex Nut, 5/8"-11
K10106 Hex Nut, 5/16"-18
K10133 Hex Head Cap Screw, 5/16"-18x1 1/2"
K10171 Hex Head Cap Screw, 5/16"-18x1 1/4"
K10177 Hex Head Cap Screw, 5/8"-11x9 1/2"
K10201 Special Washer
K10206 Washer, 1/2" SAE
K10219 Washer, 5/16" USS
K10228 Lock Washer, 1/2"
K10230 Lock Washer, 5/8"
K10232 Lock Washer, 5/16"
K10303 Carriage Bolt, 5/16"-18x1", Grade 2
K10408 Clevis Pin, 5/16"x3/4"
K10409 Ring, 5/16"
K10435 Ring
K10445 Protective Closure
K10451 Cotter Pin, 1/8"x1"
K10460 Cotter Pin, 1/4"x2"
K10462 Cotter Pin, 3/16"x2"
K10561 Clevis Pin, 1/2"x3"
K10587 Hex Head Cap Screw, 1/4"-20x2", Stainless Steel
K10588 Hex Nut, 1/4"-20, Stainless Steel
K10602 Spring Pin, 1/4"x1 1/2"
K10640 Grease Fitting, 1/4"-28
K10641 Grease Fitting, 1/8" NPT
K10655 Rivet
K10670 Hair Pin Clip, No. 3
K10672 Clamp, No. 28
K10676 Clamp, No. 36
K3310-106 Chain, No. 40, 106 Pitch Including Connector Link
KA0863 Hopper Mount, L.H.
KA0864 Hopper Mount, R.H.
KA4235 Ratchet Arm W/Protective Closure
KA5107 Sprocket, 19 Tooth
KA5114 Sprocket, 30 Tooth
KA5115 Sprocket, 33 Tooth
KA5116 Bearing
KA5136 Idler W/Sprockets and Rings
KA5194 Sprocket, 50 Tooth
KA5195 Sprocket, 66 Tooth, Optional Low Rate Sprocket
KA5223 Spacer W/Bearing
KA5229 Sprocket Storage Rod
KA5368 Sprocket, 15 Tooth
KA5624 Extended Bearing
KA5652 Saddle
KA5678 Plate W/Bearings and Grease Fitting
KA6179 Lid with Clips, Rivets, Rubber straps and Hardware
KB0198 Auger, R.H.
KB0199 Auger, L.H.
KB0200 Bearing
KD1114 U-Bolt, 7"x7"x5/8"-11
KD1200 Outlet Housing
KD1207 Baffle
KD1209 Strap
KD1210 Rubber Strap
KD1213 Rubber Washer
KD1380 Clip
KD1379 Hopper
KD2558 Lynch Pin, 1/4"
KD3790 Rubber Tube
KD5857 Spring
KD5886 Coupler, 1 3/4"
KD6819 Sleeve
KD7127 Shear Coupler
KD7426 Sprocket
KD7848 Shaft
KD7867 Coupler, 3", 4 Row 36/38, 6 Row 36/38
KD7870 Shaft, 7"
KD7871 Hex Shaft, 6", 4 Row 36/38, 6 Row 36/38
KD8246 Overlay
KR0912 Connector Link, No. 40

GRANULAR INSECTICIDE - HERBICIDE SYSTEM MOUNTED BEHIND PLANTER UNIT

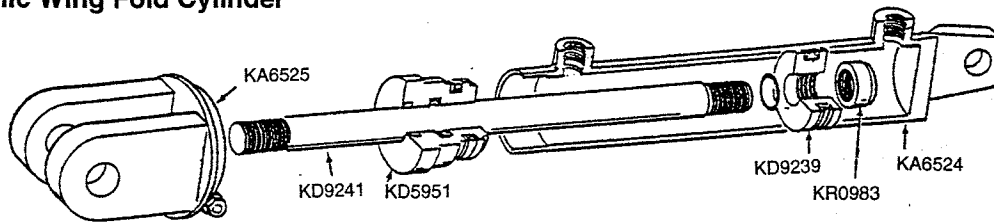


GRANULAR INSECTICIDE - HERBICIDE SYSTEM - MOUNTED BEHIND PLANTER UNIT

K10022	Hex head cap screw 1/4x20x1/2	KA5553	Primary metering box assembly
K10023	Hex head cap screw 1/4x20/3/4	KA5554	Secondary metering box assembly
K10101	Hex nut 3/8x17	K1K213	Idler assembly, complete
K10103	Hex nut 1/4x20	900108	Hanger, extra long length
K10207	Washer 3/8		
K10209	Washer 1/4 USS		
K10227	Lock washer 1/4		
K10229	Lock washer 3/8		
K10305	Carriage bolt 3/8x16x1, Grade 2		
K10306	Carriage bolt, 3/8x16x2, Grade 2		
K10310	Carriage bolt 1/4x20/3/4, Grade 2		
K10311	Carriage bolt 3/8x16x3/4 short necked, Grade 2		
K10312	Carriage bolt 5/16x18x3/4		
K10452	Cotter pin, 1/8x1/2		
K10521	Self-tapping screw 10x3/8		
K10523	Self-tapping screw 10x1/2		
K10524	Internal-external lock washer 3/8		
K10546	Spring pin 3/16x1 1/4		
K10567	Retaining ring		
K10568	Spring pin 3/16x7/8		
K10569	Spring pin 1/8x1 1/2		
K10570	Self-tapping screw 1/4x3/4		
K10602	Spring pin 1/4x1 1/2		
K10620	Flange nut 5/16x18		
K10621	Flange nut 1/4x20		
K10660	Wave washer		
K10680	Hose clamp 7/16		
K3303-114	Roller chain No. 41, 114 pitch incl connector link		
KA2075	Diffuser, 14" band		
KA2076	Divider		
KA5533	Sprocket, 24 tooth		
KA5558	Disengaging sprocket w/knob assembly		
KB0115	Bearing		
KB0116	Granular housing		
KB0121	Bearing		
KB0183	Bearing mount		
KB0184	Coupling		
KD1056	Cover plate		
KD1058	Hopper		
KD1059R	Support, righthand		
KD1059L	Support, lefthand		
KD1060	Hinge		
KD1061	Support strap		
KD1063	Metering gate		
KD1072	Strap		
KD1075	Spring		
KD1089	Plug		
KD1115L	Hanger bracket, lefthand		
KD1115R	Hanger bracket, righthand		
KD1118	Clamp		
KD2423	Funnel, plastic		
KD2423.jd	Funnel, aluminum		
KD2947	Hose		
KD7126	Lid		
KD7148	Feed roller, hex bore		
KD7258	Hex bushing		
KD7587	Knob		
KD7588	Shaft		
KD7589	Throwout pin		
KD7591	Shaft		
KD7592	Coupler, hex bore		
KD8756	Hanger		
KR0196	Connector link, no. 41		
RA2008	Chain tightener assembly		
L101	Lock'n Load valve only		
L101K	Lid with Lock'n Load installed		
6737.a	Chain tightner roller		
6795	Wing nut, 8mm		
7117	Double sprocket (27-12 tooth)		
7117.s	Double sprocket (21-12 tooth, hi population)		
9631.asy	Insecticide spreader tube assembly		
9631	Insecticide tube		
9632.a	Mounting clamp		
9633.a	Connecting flange		
9634	Spreader		
9666.a	Support bracket, ins/herb		
9669	Insecticide drop tube		

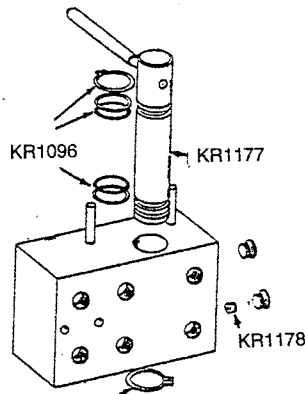
HYDRAULIC WING FOLD (OPTIONAL) CYLINDER, SELECTOR & SEQUENCING-FLOW CONTROL VALVE

Hydraulic Wing Fold Cylinder



- | | |
|--------|--|
| KA6349 | Cylinder Complete, 3"x16" |
| KA6524 | Barrel |
| KA6525 | Clevis W/3/8"-16 x 1 3/4" Socket Head Cap Screw & Lock Nut |
| KD5951 | Gland |
| KD9239 | Piston |
| KD9241 | Rod |
| KR0983 | Lock Nut, 1 1/4"-12 |
| KR1185 | Seal Kit Includes: (1) Wear Ring, (1) Uniring, (2) O-Ring, (1) BU Ring, (1) U-Cup, (1) Wiper |
| K7296X | 24-row cylinders |

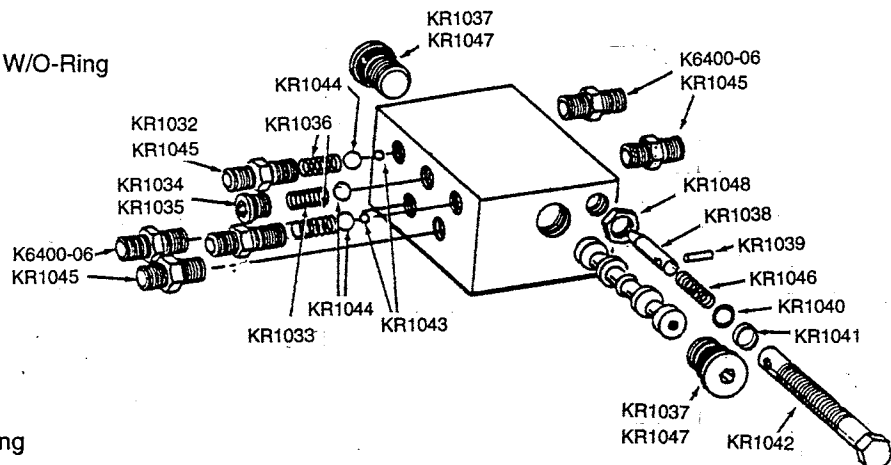
Selector Valve



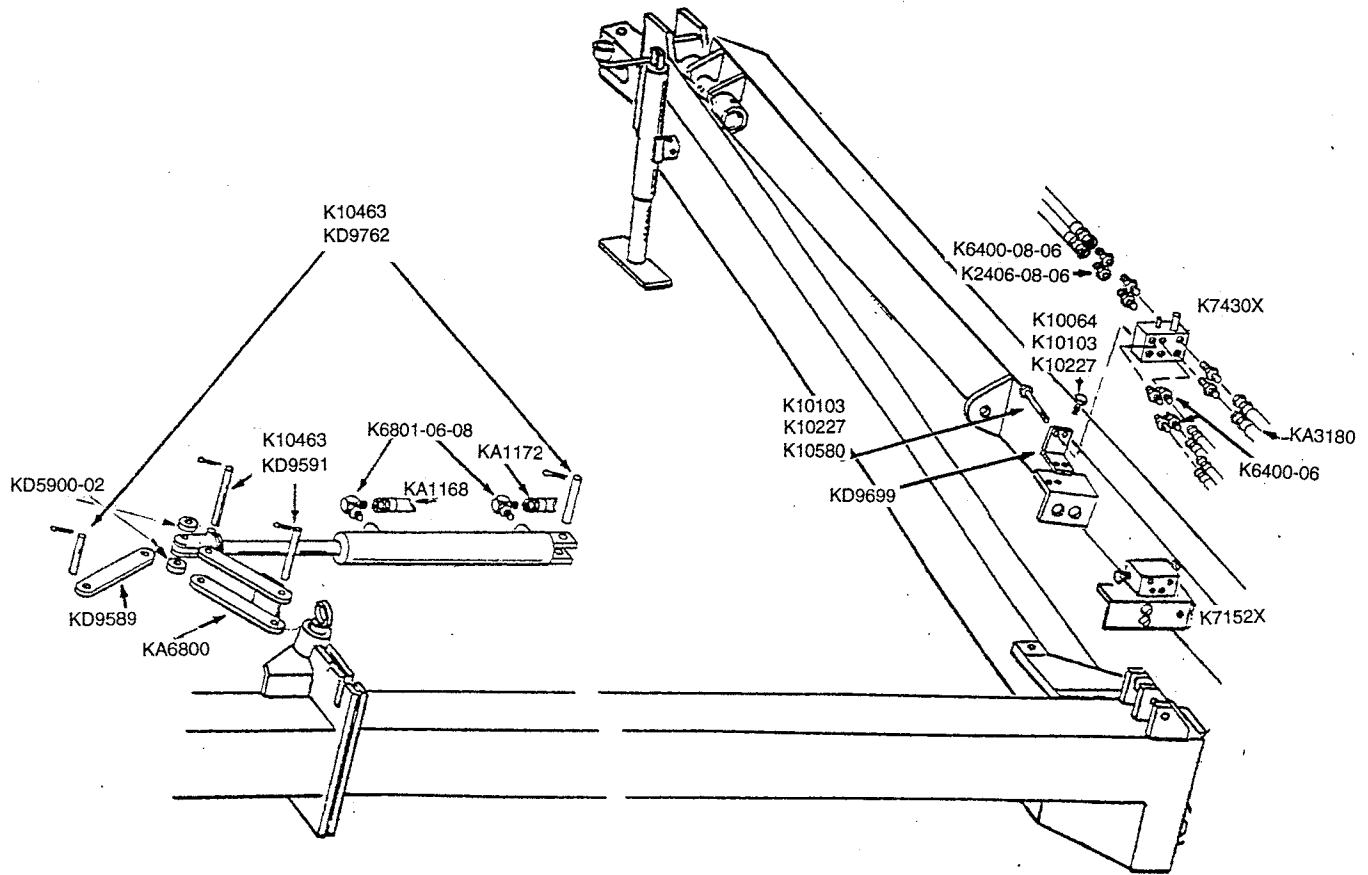
- | | |
|--------|-------------------------|
| KA6438 | Valve Assembly Complete |
| KR1096 | Seal Kit |
| KR1177 | Spool w/Handle |
| KR1178 | Restrictor |

Marker Sequencing/Flow Control Valve

- | | |
|----------|---|
| KA5552 | Valve Assembly Complete |
| KA5572 | Flow Control Portion Only |
| K6400-06 | Connector W/O-Ring, 9/16"-18 Male 37 JIC to 9/16"-18 O-Ring
(Not used on models with 3/8" hoses) |
| KR1032 | Port Adapter W/O-Ring |
| KR1033 | Detent Spring |
| KR1034 | Hex Socket O-Ring Plug W/O-Ring |
| KR1035 | O-Ring |
| KR1036 | Spring |
| KR1037 | O-Ring |
| KR1038 | Needle |
| KR1039 | Spring Pin |
| KR1040 | O-Ring |
| KR1041 | Teflon BU Ring |
| KR1042 | Adjustment Screw |
| KR1043 | 1/4" Steel Ball |
| KR1044 | 7/16" Check Ball |
| KR1045 | O-Ring |
| KR1046 | Compression Spring |
| KR1047 | Hex Socket Plug W/O-Ring |
| KR1048 | Hex Jam Nut, 1/2"-20 |

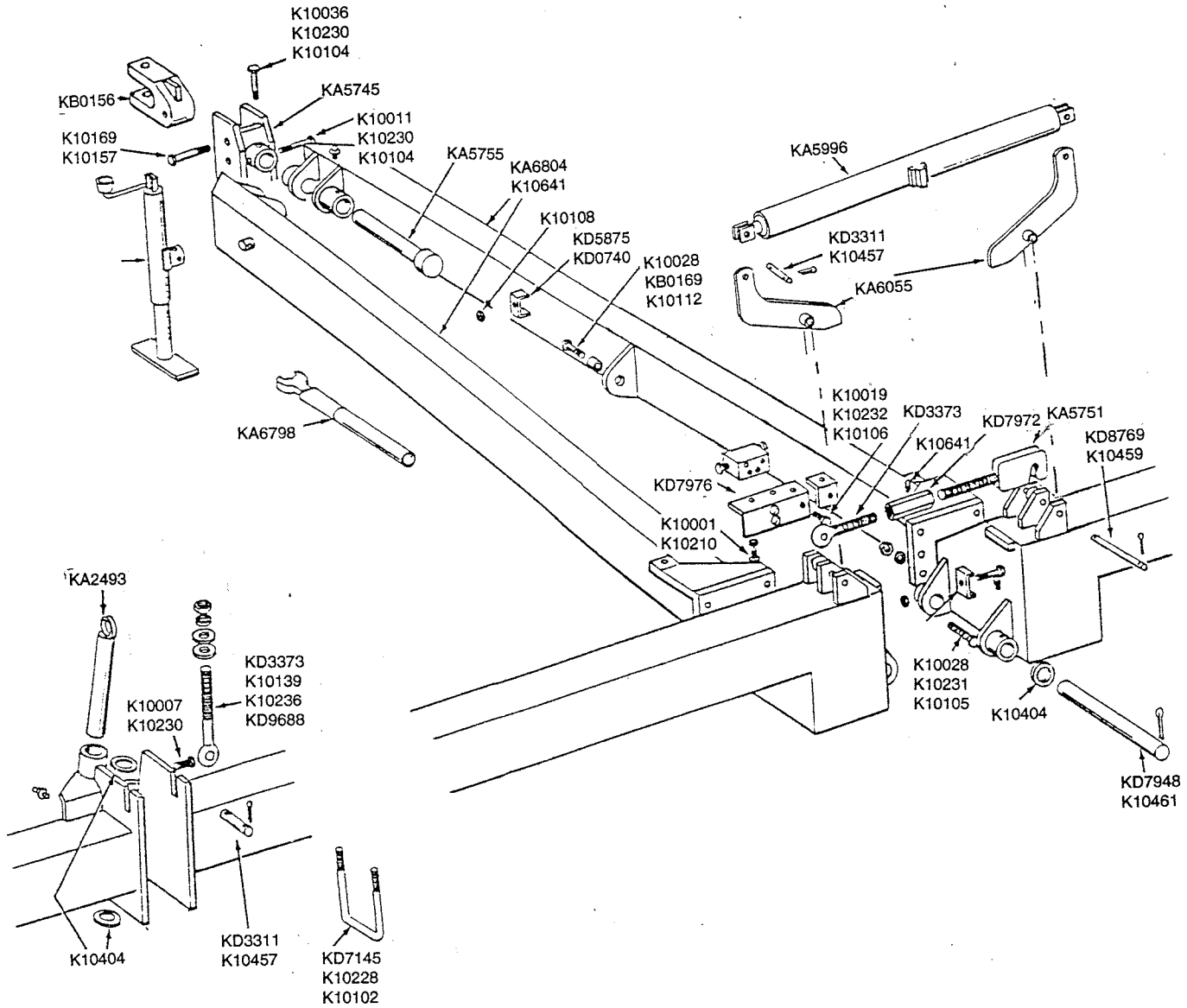


HYDRAULIC WING FOLD (OPTIONAL)



- | | |
|-------------|--|
| K10064 | Hex head cap screw, 1/4"-20x1" |
| K10103 | Hex nut, 1/4"-20 |
| K10227 | Lock washer, 1/4" |
| K10463 | Cotter pin, 1/4"x1 1/2" |
| K10580 | Hex head cap screw, 1/4"-20x3" |
| K2406-08-06 | Reducer, 3/4"-16 female JIC to 9/16"-18 Male JIC |
| K6400-06 | Connector, 9/16"-18 Male JIC to O-Ring |
| K6400-08-06 | Connector, 3/4"-16 male JIC to 9/16"-18 O-ring |
| KA3180 | Hose assembly, 3/8"x25" |
| KA1168 | Hose assembly, 1/4"x120" |
| KA1172 | Hose assembly, 1/4"x105" |
| KA6800 | Link |
| K6801-06-08 | Elbow, 9/16"-18 male to 3/4"-16 O-ring |
| KD5900-02 | Sleeve |
| KD9589 | Link |
| KD9591 | Pin, 1"x5 3/4" |
| KD9699 | Mounting angle |
| KD9762 | Pin, 1"x3 1/2" |
| K7430X | 24-row selector valve & hoses |
| K7152X | 24-row hardware & sequence valve |

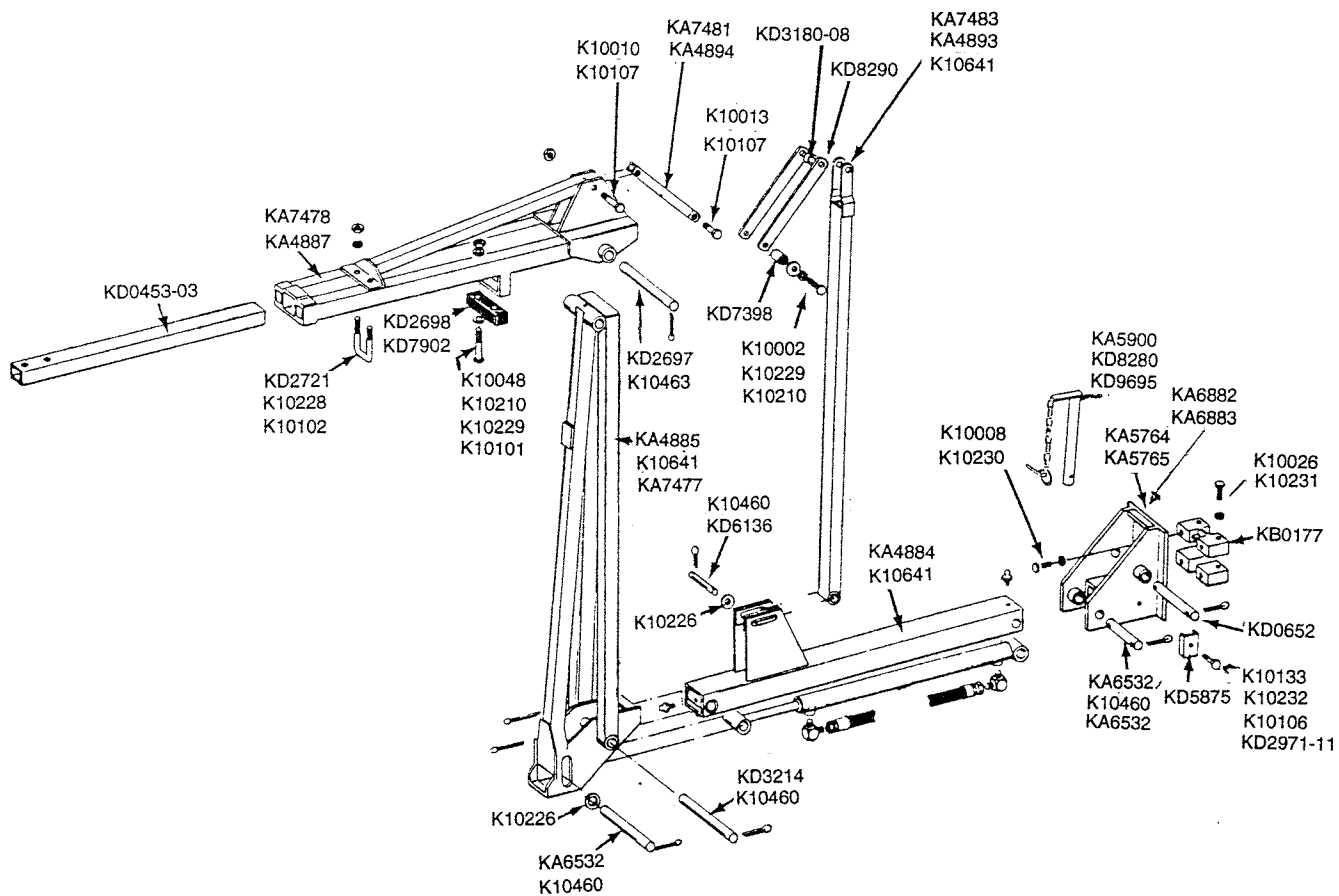
HITCH AND FRAME ASSEMBLY - 8-ROW 36"-38" - 12-ROW 30", - 24-ROW 22"



HITCH AND FRAME ASSEMBLY - 8-ROW 36"-38", 12-ROW 30", 24-ROW 22"

K10001	Hex Head Cap Screw, 3/8"-16x1"
K10007	Hex Head Cap Screw, 5/8"-11x1 1/2"
K10011	Hex Head Cap Screw, 5/8"-11x5 1/2"
K10019	Hex Head Cap Screw, 5/16"-18x1"
K10028	Hex Head Cap Screw, 3/4"-10x3"
K10036	Hex Head Cap Screw
K10102	Hex Nut, 1/2"-13
K10104	Hex Nut, 5/8"-11
K10105	Hex Nut, 3/4"-10
K10106	Hex Nut, 5/16"-18
K10108	Lock Nut, 3/8"-16
K10112	Lock nut, 3/4"-10
K10139	Washer, 1 1/4" USS
K10157	Lock Nut, 1 1/4"-7
K10169	Hex Head Cap Screw, 1 1/4"-7x6"
K10210	Washer, 3/8" USS
K10228	Lock Washer, 1/2"
K10230	Lock Washer, 5/8"
K10231	Lock Washer, 3/4"
K10232	Lock Washer, 5/16"
K10236	Lock Washer, 1 1/4"
K10404	Machine Bushing
K10457	Cotter Pin, 5/32"x1 1/2"
K10459	Cotter Pin, 3/16"x1 1/2"
K10461	Cotter Pin, 3/8"x3
K10641	Grease Fitting, 1/8" NPT
K4100-02	Jack Assembly
KA4994	Jack Assembly, 24 rows
KA2493	Pin
KA5745	Hitch Cap
KA5751	Hook
KA5755	Pin, 2 1/8"x14"
KA5996	Spring Canister
KA6055	Arm
KA6798	Wrench
KA6804	Hitch W Grease fittings
KB0156	Clevis
KB0169	Bushing
KD0740	Clamp, 3 1/2"x4"
KD3311	Pin, 7/8"x3 1/8"
KD3373	Eye Bolt
KD5875	Clamp, 2"x2 1/2"
KD7145	U Bolt, 7"x7"x1/2"-13
KD7948	Shaft, 2 1/8"x20"
KD7972	Turnbuckle
KD7976	Bracket
KD8769	Pin, 7/8"x6 1/4"
KD9688	Special Nut, 1 1/4"-7

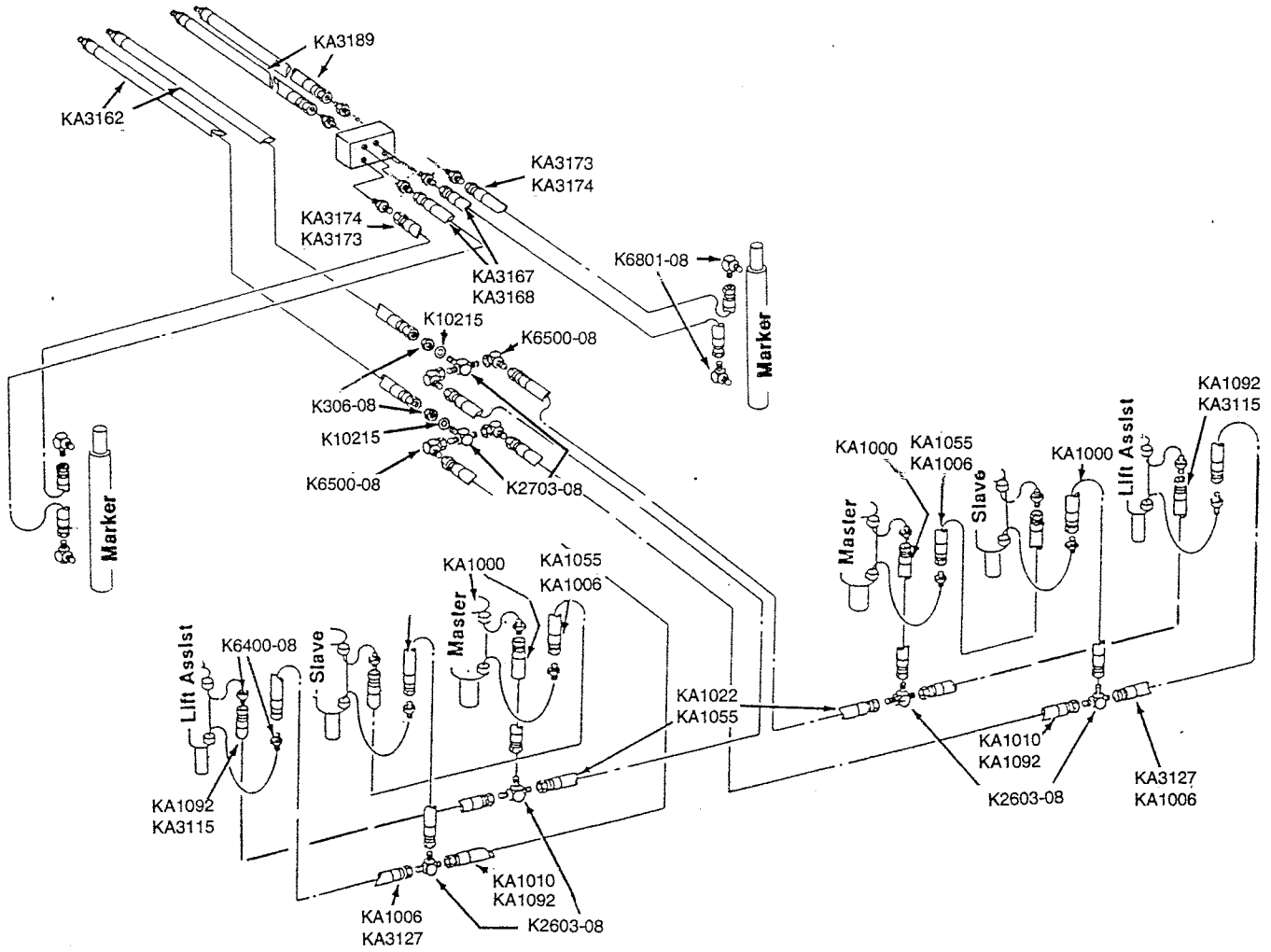
LOW PROFILE THREE-FOLD MARKER, 12-ROW 30", 24-ROW 22"



LOW-PROFILE THREE-FOLD MARKER, 12-ROW 30", 24-ROW 22"

K10002	Hex Head Cap Screw, 3/8"-16x3/4"
K10008	Hex Head Cap Screw, 5/8"-11x2"
K10010	Hex Head Cap Screw 5/8"-11x3"
K10013	Hex Head Cap Screw, 5/8"-11x3 1/2"
K10026	Hex Head Cap Screw, 3/4"-10x2"
K10048	Hex Head Cap Screw, 3/8"-16x2"
K10101	Hex Nut, 3/8"-16
K10102	Hex Nut, 1/2"-13
K10106	Hex Nut, 5/16"-18
K10107	Lock Nut, 5/8"-11
K10133	Hex Head Cap Screw, 5/16"-18x1 1/2"
K10210	Washer, 3/8" USS
K10226	Washer, 1 1/4" SAF
K10228	Lock Washer, 1/2"
K10229	Lock Washer, 3/8"
K10230	Lock Washer, 5/8"
K10231	Lock Washer, 3/4"
K10232	Lock Washer, 5/16"
K10460	Cotter Pin, 1/4"x2"
K10463	Cotter Pin, 1/2"x 1 1/2"
K10641	Grease Fitting, 1/8" NPT
KA4884	Arm W/Grease Fittings, First Stage
KA4885	Arm W/Grease Fitting, Second Stage, 78", 12 Row 30
KA4887	Arm, Third Stage, 35", 12 Row 30
KA4893	Linkage Tube W/Grease Fitting, 72 3/4", 12 Row 30
KA4894	Linkage, 15 1/4"
KA5764	Mount, R.H.
KA5765	Mount, L.H.
KA5900	Pin W/Split Ring and Lynch Pin
KA6532	Pin, 1 1/4"x7 5/8"
KA6882	Marker Mount, R.H., 24 Row 22
KA6883	Marker Mount, L.H., 24 Row, 22
KA7477	Arm W/Grease Fitting, Second Stage, 118", 24 Row 22
KA7478	Arm, Third Stage, 24 Row 22
KA7481	Linkage, 24 Row 22
KA7483	Linkage Tube w/Grease Fitting, 112 3/4", 24 Row 22
KB0177	Tap Block
KD0453-03	Extension Tube, 50", 12 Row 30, 24 Row 22
KD0652	Pin, 1 1/4"x9 1/2"
KD2697	Pin, 7/8"x11"
KD2698	Rubber Spacer
KD2721	U-Bolt, 2"x2"x1/2-13
KD2971-11	Sleeve, 24 Row 22
KD3180-08	Sleeve, 1/2"
KD3214	Pin, 1 1/4"x12 1/4"
KD5875	Hose Clamp
KD6136	Pin, 1 1/4"x5"
KD7398	Threaded Sleeve
KD7902	Spacer Bar, if applicable, not shown
KD8280	Split Ring
KD8290	Bar
KD9695	Lock Pin, 1/4"

HYDRAULIC SYSTEM

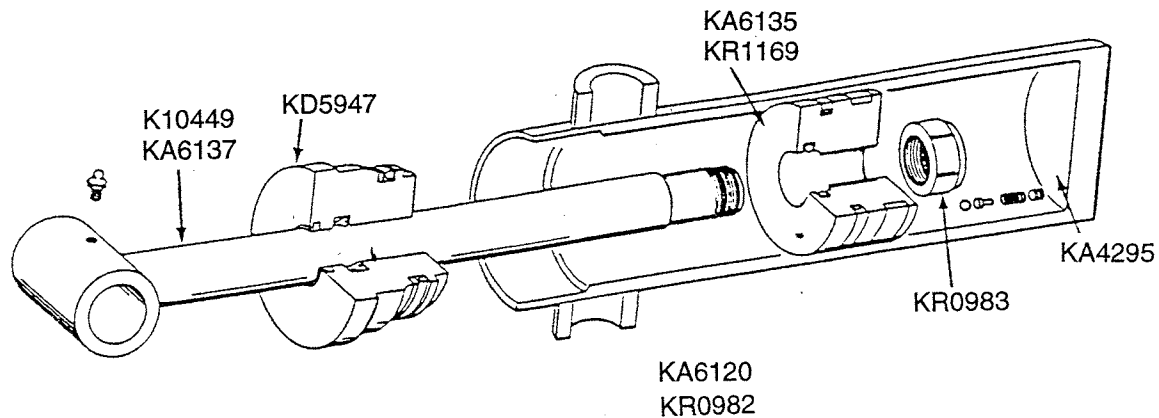


HYDRAULIC SYSTEM

K306-08	Lock Nut, 3/4"-16
K7429X	Frame Hose Kit, 24 Row
K2603-08	Tee, 3/4"-16 Male JIC
K2703-08	Bulkhead Tee, 3/4"-16 Male JIC
K6400-08	Connector, 3/4"-16 Male O-Ring to JIC
K6500-08	Swivel Elbow, 3/4"-16 Male JIC to 3/4"-16 Female JIC
K6801-08	Adjustable Elbow, 3/4"-16 Male JIC to 3/4"-16 O-Ring
K10215	Machine Bushing
KA1000	Hose Assembly, 3/8" x 15"
KA1006	Hose Assembly, 3/8" x 90", 12 Row 30
KA1010	Hose Assembly, 3/8" x 120", 12 Row 30
KA1022	Hose Assembly, 3/8" x 60", 12 Row 30
KA1055	Hose Assembly, 3/8" x 66", 8 Row 36/38
KA1092	Hose Assembly, 3/8" x 104", 8 Row 36/38
KA3115	Hose Assembly, 3/8" x 146", 12 Row 30
KA3127	Hose Assembly, 3/8" x 58", 8 Row 36/38
KA3162	Hose Assembly, 3/8" x 162", 8 Row 36/38 and 12 Row 30
KA3167	Hose Assembly, 3/8" x 255", 12 Row 30
	Hose Assembly, 3/8" x 336", 24 Row
KA3168	Hose Assembly, 3/8" x 222", 8 Row 36/38
KA3173	Hose Assembly, 3/8" x 267", 12 Row 30
	Hose Assembly, 3/8" x 354", 24 Row
KA3174	Hose Assembly, 3/8" x 235", 8 Row 36/38
KA3189	Hose Assembly, 3/8" x 160", 8 Row 36/38 and 12 Row 30

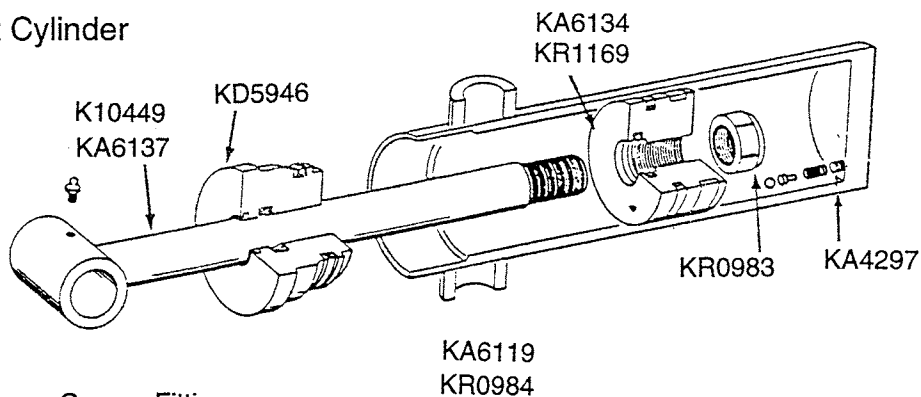
CYLINDERS

Master Lift Cylinder



K10449	Grease Fitting
KA4295	Barrel
KA6120	Cylinder Complete, 3 1/2"x8"
KA6135	Piston W/Rephasing Valve
KA6137	Rod Assembly W/Grease Fitting
KD5947	Gland
KR0982	Seal Kit Includes: (1) Wear Ring, (2) O-Rings, (1) BU Ring, (1) U-Cup, (1) Wiper, (1) Uniring
KR0983	Lock Nut, 1"-14
KR1169	Rephasing Valve Replacement Kit, (Set Screw, Guide Spring & Ball)

Slave Lift Cylinder

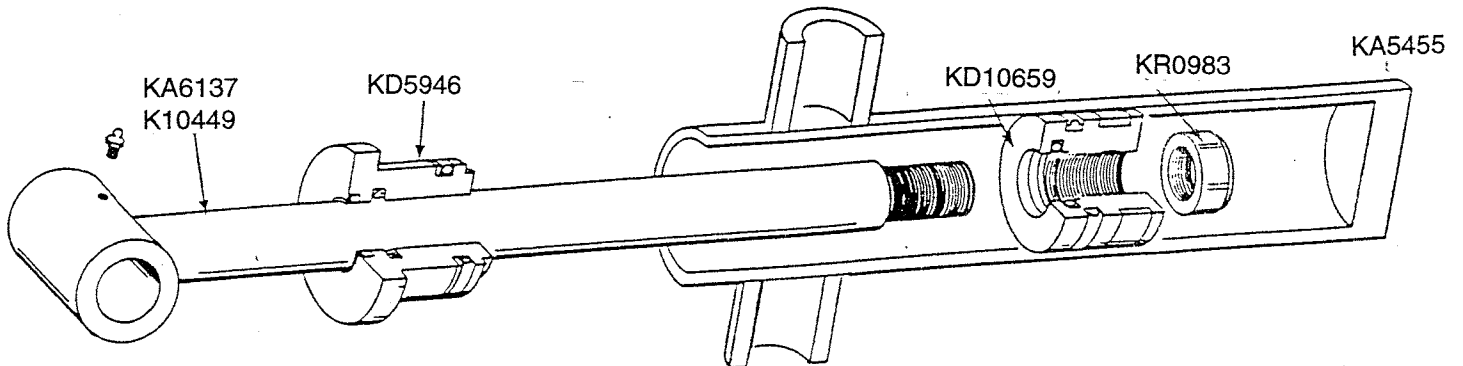


K10449	Grease Fitting
KA4297	Barrel
KA6119	Cylinder Complete, 3 1/4"x8"
KA6134	Piston W/Rephasing Valve
KA6137	Rod Assembly W/Grease Fitting
KD5946	Gland
KR0983	Lock Nut, 1"-14
KR0984	Seal Kit, Includes: (2) O-Ring, (1) BU Ring, (1) Wear Ring, (1) Rod Wiper (1) Uniring, (1) U-Cup
KR1169	Rephasing Valve Replacement Kit (Set Screw, Guide, Spring & Ball)

CYLINDERS

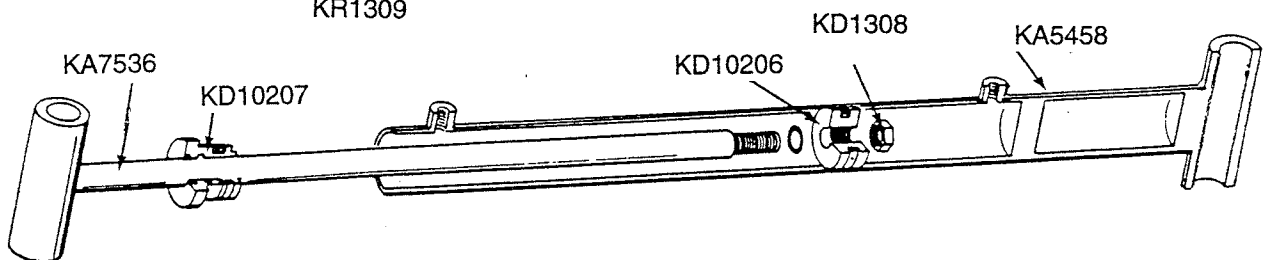
ASSIST LIFT CYLINDER - 24-Row

KA7471
KR0984



- | | |
|---------|---|
| KA6137 | Rod Assembly W/Grease Fitting |
| K10449 | Grease Fitting |
| KD5946 | Gland |
| KD10659 | Piston |
| KR0983 | Special Jam Nut, 1"-14 |
| KA5455 | Barrel |
| KA7471 | Cylinder Complete, 3 1/4"x8" |
| KR0984 | Seal Kit Includes: (1) Wear Ring, (1) Seal, (2) O-Rings,
(1) BU Ring, (1) U-Cup, (1) Wiper |

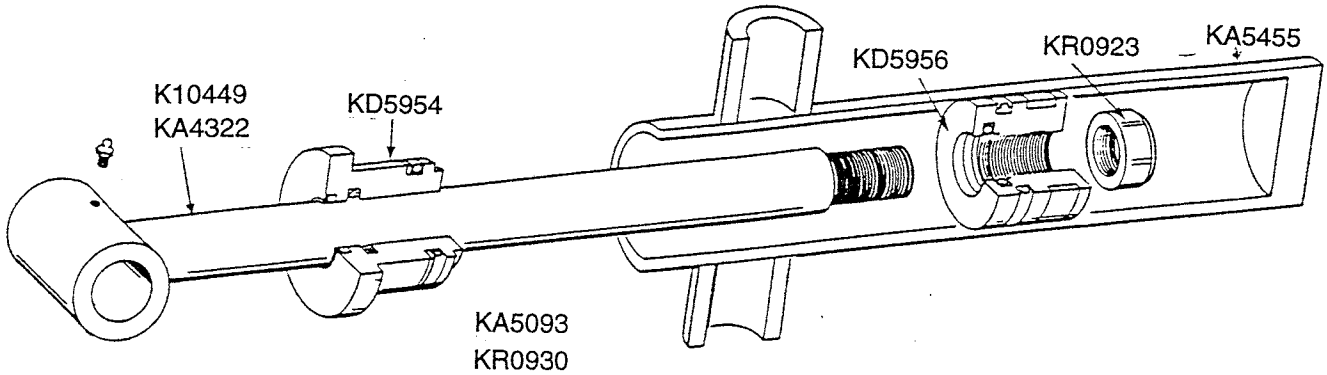
MARKER CYLINDER - 24 ROW - KA7469 KR1309



- | | |
|---------|---|
| KA7536 | Rod Assembly |
| KD10207 | Gland |
| KD10206 | Piston |
| KD1308 | Lock Nut, 3/4"-16 |
| KA5458 | Barrel |
| K10827 | Cotter Pin |
| KA7469 | Cylinder Complete, 2"x20x1/16" |
| KR1309 | Seal Kit, Includes: (1) T Seal, (2) O-Rings, (1) BU Ring, (1) U-Cup (1) Wiper |

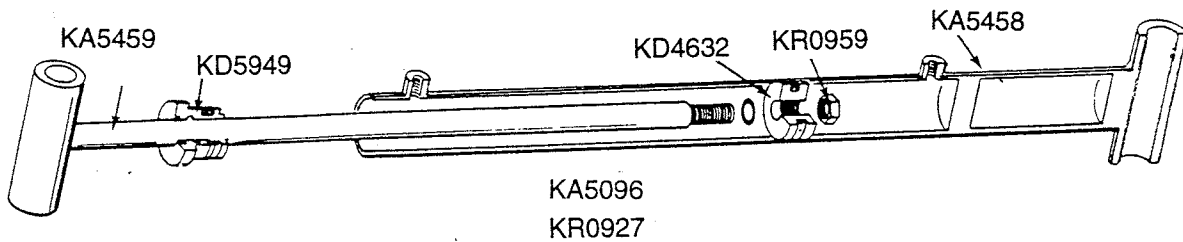
CYLINDERS

Assist Lift Cylinder



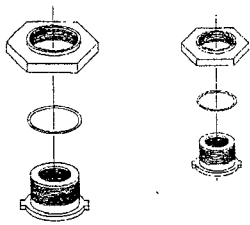
K10449	Grease Fitting
KA4322	Rod Assembly W/Grease Fitting
KA5093	Cylinder Complete, 2 1/2"x8"
KA5455	Barrel
KD5954	Gland
KD5956	Piston
KR0923	Special Jam Nut, 1"-14
KR0930	Seal Kit, Includes: (1) Wear Ring, (1) T-Seal, (2) O-Rings, (1) BU Ring, (1) U-Cup, (1) Wiper

Marker Cylinder

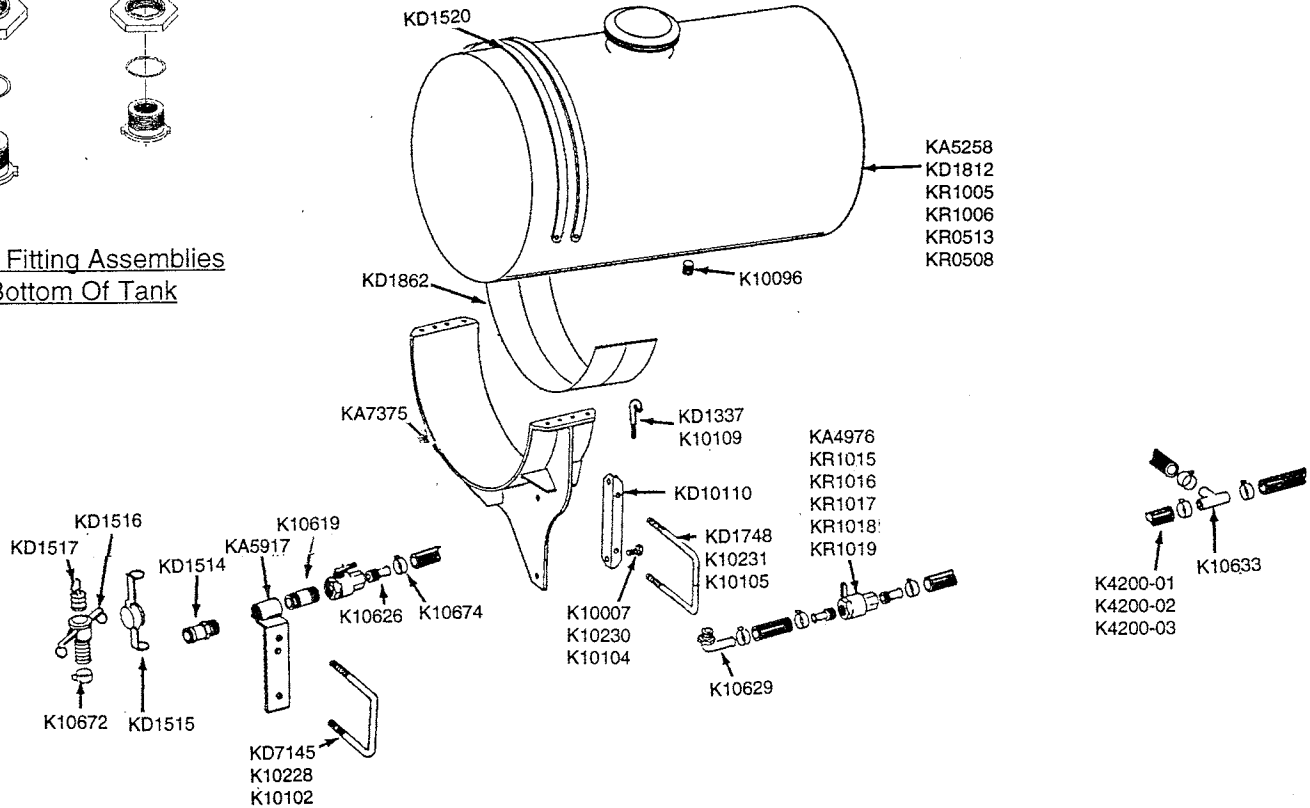


KA5096	Cylinder Complete, 2"x20 1/16"
KA5458	Barrel
KA5459	Rod Assembly
KD4632	Piston
KD5949	Gland
KR0927	Seal Kit, Includes: (1) T Seal, (2) O-Rings, (1) BU Ring, (1) U-Cup, (1) Wiper
KR0959	Lock Nut, 3/4"-16

LIQUID FERTILIZER TANKS, SADDLES, MOUNTS & HOSE FITTINGS

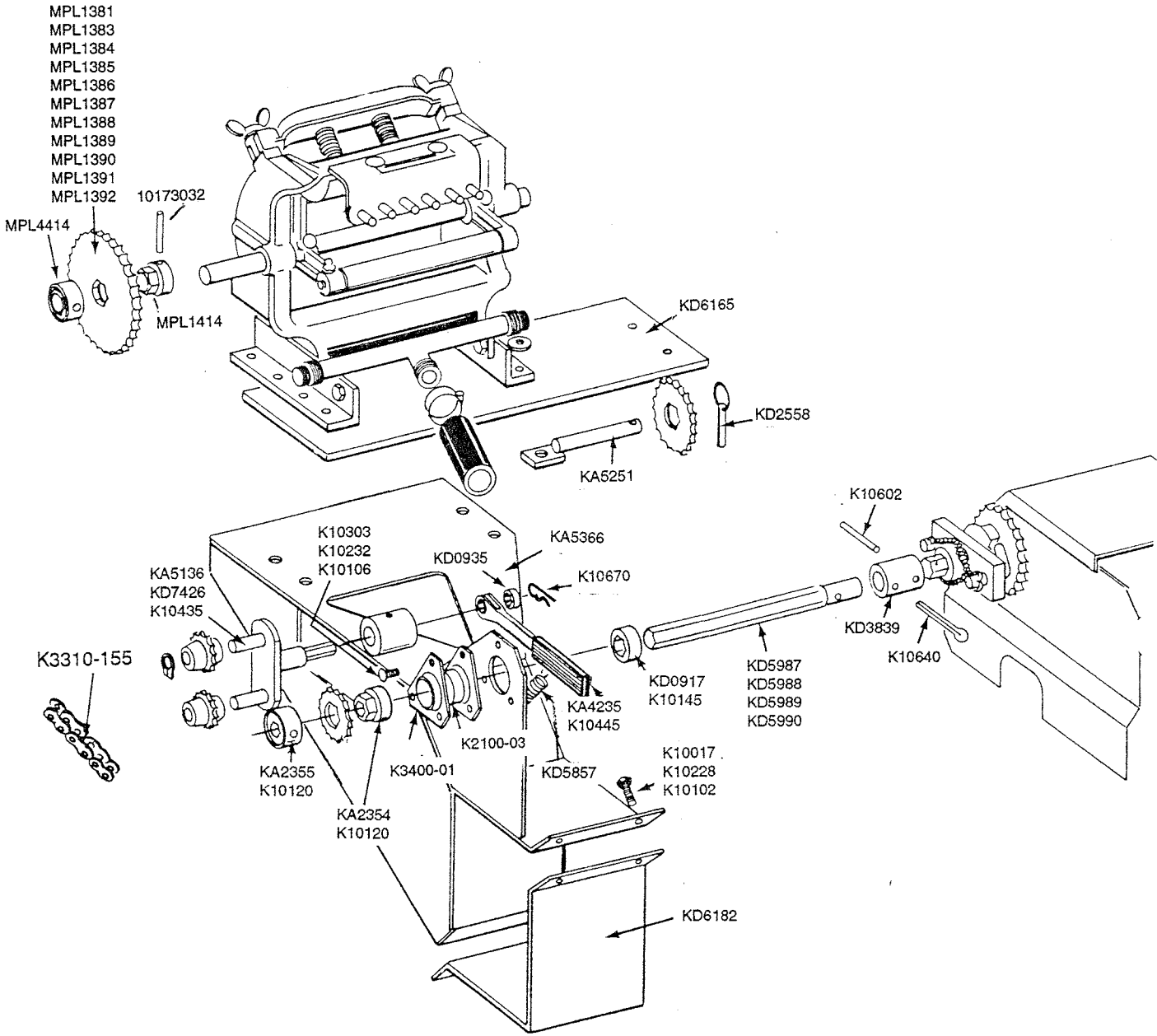


Nylon Fitting Assemblies
At Bottom Of Tank



K10007	Hex Head Cap Screw, 5/8"-11x1 1/2"	KD1515	Dust Cap, 1 1/4"
K10096	Plug, 3/4" Nylon	KD1516	Adapter
K10102	Hex Nut, 1/2"-13	KD 1517	Dust Plug
K10104	Hex Nut, 5/8"-11	KD1520	Band, 30"
K10105	Hex Nut, 3/4"-10	KD1748	U Bolt, 7"x7"x3/4"-10
K10109	Lock Nut, 5/16"-18	KD1812	Tank W/Lid & Fittings, 30"x150 Gallon 6 & 8 Row Models
K10228	Lock Washer, 1/2"	KD1862	Pad, 8"x14"
K10230	Lock Washer, 5/8"	KD7145	U Bolt 7"x7"x1/2"-13
K10231	Lock Washer, 3/4"	KD10110	Mounting Angle
K10619	Pipe Nipple, 1 1/4"x3"	KR0508	1 1/4" Nylon Fitting
K10626	Adapter, 1 1/4"NPT to 1 1/4" Barb Fitting	KR0513	3/8" Nylon Fitting
K10629	Elbow	KR1005	Fillwell, Threaded (Use with KR1006)
K10633	Tee, 1 1/4"	KR1006	Lid, 10", Thread (Use with KR1005)
K10672	Clamp, No. 28	KR1015	Body O-Ring
K10674	Clamp, No. 24	KR1016	Stem O-Ring
K4200-01	Hose, 1 1/4"x22', 4 Row Models	KR1017	Teflon Seat
K4200-02	Hose, 1 1/4"x27', 6 Row Models	KR1018	Ball
K4200-03	Hose, 1 1/4"x32', 8 Row Models	KR1019	Handle
KA4976	Ball Valve, Full Port		
KA5258	Tank w/Lid & Fittings, 30"x110 Gal 4 Row Models		
KA7375	Tank Mount		
KA5917	Quick Fill Mount		
KD1337	J Bolt, 5/16"		
KD1514	Adapter		

LIQUID FERTILIZER SQUEEZE PUMP MOUNTING BRACKET, SPROCKET, ADAPTER PACKAGE, AND DRIVE LINE



LIQUID FERTILIZER SQUEEZE PUMP MOUNTING BRACKET, SPROCKET, ADAPTER PACKAGE AND DRIVE LINE

K2100-03	Bearing, 7/8" Hex Bore, Spherical
K3310-155	Chain, No. 40, 155 Pitch W/Connector & offset Link
K3400-01	Flangette
K10017	Hex Head Cap Screw, 1/2"-13x 1 1/2"
K10102	Hex Nut, 1/2"-13
K10106	Hex Nut, 5/16"-18
K10145	Set Screw, 5/16"-18 x 1/2"
K10228	Lock Washer, 1/2"
K10232	Lock Washer, 5/16"
K10303	Carriage Bolt, 5/16"-18x1"
K10435	Ring
K10445	Protective Closure
K10602	Spring Pin, 1/4" x 1 1/2"
K10640	Cotter Pin, 1/4"x 2"
K10670	Hair Pin Clip, No. 3
KA2354	Adapter W.Set Screws
KA2355	Lock Collar W/Set Screws
KA4235	Ratchet Arm W/Protective Closure
KA5136	Idler W/Sprockets & Rings
KA5251	Sprocket Storage Rod
KA5366	Mount
KD0917	Lock Collar, 7/8" Hex, Less Set Screws
KD0935	Sleeve
KD2558	Lynch Pin, 1/4"
KD3839	Coupler
KD5857	Spring
KD5987	Shaft, 30", 4 Row 30 and 6 Row 30
KD5988	Shaft, 36", 4 Row 36/38 and 6 Row 36/38
KD5989	Shaft, 60", 8 Row 30
KD5990	Shaft, 74", 8 Row 36/38
KD6165	Plate, 8 Row Only
KD6182	Saddle Clamp
KD7426	Sprocket
KR0911	Offset Link, No. 40
KR0912	Connector Link, No. 40
MPL1381	20 Tooth Sprocket
MPL1383	8 Tooth Sprocket
MPL1384	9 Tooth Sprocket
MPL1385	10 Tooth Sprocket
MPL1386	15 Tooth Sprocket
MPL1387	22 Tooth Sprocket
MPL1388	23 Tooth Sprocket
MPL1389	26 Tooth Sprocket
MPL1390	30 Tooth Sprocket
MPL1391	31 Tooth Sprocket
MPL1392	32 Tooth Sprocket
MPL1414	7/8" Sprocket Adapter
MPI2040A.1	Connector Link 2040A Chain
MPL2040.2	Offset Link 2040A Chain
MPL4414	7/8" Sprocket Retainer
10173032	Roll Pin, 8x50

ATI WARRANTY POLICY

EXCEPT AS EXPRESSLY AND SPECIFICALLY REQUIRED BY LAW, NEITHER A.T.I., INC. ("ATI") NOR ANY MANUFACTURER OR ANY PRODUCT (OR PART THEREOF) SOLD BY ATI MAKES ANY WARRANTY, EXPRESS OR IMPLIED, INCLUDING ANY WARRANTY OF MERCHANTABILITY OR FITNESS FOR A PARTICULAR PURPOSE AND THE PROVISIONS HEREINAFTER SET FORTH ARE EXCLUSIVE AND IN LIEU OF ALL OTHER WARRANTIES, WHETHER WRITTEN, ORAL, IMPLIED OR STATUTORY. While ATI makes no warranties as to any product sold by it, ATI will repair or replace, at its option, each part of any new product sold by ATI which proves to have been defective in material or workmanship if such defect is reported to ATI within one year after delivery. All claims shall be filed on forms supplied by ATI and shall be filed with ATI prior to the expiration of the one year period. The obligation of ATI under this warranty policy shall be available only to the original purchaser of the product and does not apply to used or second-hand products.

The foregoing is not intended to supplant normal maintenance, service or normal replacement parts. ATI will have no obligation with respect to any product which in ATI's judgment has been subject to misuse, negligence, abuse, alteration, accident or inadequate or improper maintenance or with respect to any part of any product which has served its normal wear life.

The placing upon any ATI product of any attachment or equipment not sold by ATI or authorized by it, or any unauthorized alteration of any ATI product shall operate to void and waive any obligation of ATI whatsoever. No representative of ATI or any dealer has authority to change the terms of this warranty policy in any manner whatsoever and no assistance to any purchaser by a dealer or by ATI in the repair or operation of ATI products shall constitute a waiver of the conditions of this warranty policy nor shall such assistance extend or revive it.

ATI may discontinue the manufacture of any of its products and product lines and may make changes and improvements at any time in the specifications, construction or design of its products and the warranty policy thereon, without incurring any obligation to any customer. Any repaired or replacement part furnished under this warranty policy will be covered for the remainder of the warranty policy period of the product in which it is installed. No part or parts shall be returned to ATI unless the buyer shall first notify ATI and arrangements are made for such return. All replaced parts will become the property of ATI. All shipping and travel costs and expenses incurred in connection with any parts to be repaired or replaced shall be borne by the buyer.

The foregoing sets forth the exclusive remedies for claims based on failure of any product sold by ATI whether the claim is in contract, tort or otherwise instituted. Upon the expiration of the warranty policy period all liability of ATI shall terminate except with respect to those claims properly filed with ATI prior to such expiration. No action for breach of the terms hereof shall be commenced later than one year after the alleged breach.

In no event shall ATI be liable for any incidental, consequential or special damages (including loss of crops, delays or loss of income) resulting from the failure of any product or from any other event.

A. T. I., Inc.

17135 West 116th St.
Lenexa, KS 66219

MONOSEM

PHONE (913) 438-1700
FAX (913) 438-5455