



Precision Vacuum Planters

Stacker Bar Mounted



Operator & Parts Manual

Includes Instructions for:

- **Safety**
- **Operation**
- **Maintenance**

INTRODUCTION

Congratulations on your purchase of a MONOSEM planter.

This manual has been prepared for use in operation, adjustment, and maintenance of the planter. Read this manual carefully before operating your planter.

The information used in compiling this manual is current, however as production changes do occur on a continual basis, Monosem Inc. reserves the right to change specifications or designs without notice and without the obligation to install the same on previously manufactured machines.


Please take the time now to record your serial number and date of purchase for a reference when ordering replacement parts for your Monosem NG Plus 4 planter.

Serial Number _____

Date _____

The WARRANTY for your NG Plus 4 planter is printed on the back cover.



While reading your manual you will see the symbol  and the words **CAUTION, WARNING, DANGER**. Pay particular attention to the safety information given. Failure to observe the safety symbols can cause damage to the machine and/or personal injury. A detailed description of the safety symbols and their meaning is found in the safety section of this manual.

2 precautions for successful planting:

1. Choose a reasonable working speed adapted to the field conditions and desired accuracy.
2. Check proper working of the seed metering, seed placement, spacing and density when starting up and from time to time during planting.

... and don't forget – accurate planting is the key to a good stand!

QUICK REFERENCE

STACKER BAR 3pt Mounted

SAFETY	1	DRIVE	5
GENERAL SAFETY	1. 1	STANDARD TURBOFAN	5.1
BEFORE OPERATION	1. 1	ASSEMBLY-STANDARD TURBOFAN	5.2
DURING & FOLOWING OPERATION	1. 2	ASSY - HIGH OUTPUT TURBOFAN	5.4-5.5
UNHOOKING THE PLANTER	1. 2	ASSY - EXTRA HIGH OUTPUT	5.6-5.7
STORING THE PLANTER	1. 2	ASSEMBLY - HYDRAULIC DRIVE	5.8-5.9
PERFORMING MAINTENANCE	1. 3	VACUUM GAUGE SETTINGS	5.10
TIRE SAFETY	1. 3	ASSEMBLY - VACUUM GAUGE	5.10
DRIVE LINE SAFETY	1. 3		
HYDRAULIC SAFETY	1. 3	ROW UNIT	6
SAFETY STICKERS	1. 4	SEED DEPTH	6.1
		V PRESS WHEELS	6.1
PREPARING THE PLANTER	2	DEPTH GAUGE WHEELS	6.2
LUBRICATION	2. 1	DOUBLE DISC OPENERS	6.2
CHAIN TENSION ADJUSTMENT	2. 2	STABILIZER SPRINGS	6.2
TIRE PRESSURE	2. 2	DRIVE CHAIN	6.2
VALVE BLOCK INSPECTION	2. 2	SEED HOPPER	6.2
TRACTOR HOOKUP	2. 3	SEED METERING SYSTEM	6.3
LEVELING THE PLANTER	2. 4	EXTRA LARGE SEED	6.4
TRANSPORTING THE PLANTER	2. 4	DISENGAGING THE METER BOX	6.4
OPERATING SPEED	2. 4	SEED TUBE	6.4
FIELD TEST	2. 4	METERING BOX ADJUSTMENT	6.5
CHECKING SEED POPULATION	2. 5	SEED DISC	6.5
UNHOOKING THE PLANTER	2. 5	SEED CHUTE	6.5
STORING THE PLANTER	2. 5	SEED DISC IDENTIFICATION	6.6
		SEED DISC RECOMMENDATIONS	6.6
FRAME	3	ASSEMBLY - ROW UNIT	6.8
7 X 7 STACKER BAR OPERATION	3.1	ASSEMBLY-CLOSING WHEEL	6.10
PART NO. DESCRIPTIONS	3. 3	ASSEMBLY-GAUGE WHEEL ARM	6.10
8-ROW 38" - 40" ASSEMBLY	3. 4	ASSEMBLY-GAUGE WHEEL	6.11
12-ROW 30" ASSEMBLY	3. 5	ASSEMBLY-METERING BOX	6.12
12-ROW 36" ASSEMBLY	3. 6	METERING BOX TROUBLESHOOTING	6.13
12-ROW 38" - 40" ASSEMBLY	3. 7	ASSY-UP/ DOWN PRESSURE SPRING	6.14
16-ROW 30" ASSEMBLY	3. 8	ASSEMBLY - HILLER DISCS	6.16
WHEEL BLOCK, REAR MOUNTED	3. 9	ASSEMBLY - CONCAVE PRESS WHEEL	6.18
WHEEL BLOCK, FRONT MOUNTED	3. 11	CONCAVE PRESS WHEEL/ HILLER ASSY	6.18
HITCH ASSEMBLY	3. 13		
LIFT ASSIST WHEEL	3. 15	OPTIONAL EQUIPMENT	7
SEQUENCING VALVE CONNECTION	3. 16	ROW MARKERS	7.1
		AIR INSECTICIDE SYSTEM	7.2
TRANSMISSION	4	US GRANULAR INSECTICIDE SYSTEM	7.3
PLANTING RATE CHART	4.1	MICROSEM MICROGRANULAR SYSTEM	7.4
ASSEMBLY - SINGLE PLATE TRANS.	4.2	LIQUID FERTILIZER	7.7
ASSEMBLY & ADJ. TRANSMISSION	4.2	GULL WING KIT FOR STACKER BAR	7.8
SEED POPULATION CHART	4.3		

SPECIFICATIONS

3pt Mounted 7"x 7" STACKER BAR

FRAME - Stacking Toolbar 7"x 7"

PLANTING UNIT – NG Plus 4 Monosem

Vacuum Metering Box
Double Disc Opener
Depth Gauge Wheels
Adjustable Closing Wheels

STANDARD ROW SPACING		WIDTH	WEIGHT*
8 Row 30"	-----	20'	6125 lbs.
8 Row 36-40"	-----	25' 1"	6155 lbs.
12-Row 22-24"	-----	25' 1"	6915 lbs.
12-Row 30"	-----	29' 10"	7610 lbs.
12-Row 38-40"	-----	38' 10"	8287 lbs.
16-Row 30"	-----	38' 10"	9047 lbs.

* The base machine weights include planter frame, optional row markers, drive components, tires and wheels, hydraulic cylinders and NG Plus 4 row units with seed hopper and lid.

DRIVE SYSTEM

Ground Drive
Four Heavy Duty Adjustable Drive Wheels
with 7.60x15 tires

TRANSMISSION

Three Transmissions

MARKERS

Rear Folding Marker

TURBOFAN

450 rpm with Hydraulic Drive
500 High Output with Hydraulic Drive
500 Extra High Output with Hydraulic Drive

OPTIONAL EQUIPMENT

Hydraulic Drive (GPS Compatible)
Electronic Seed Monitor
Microsem Insecticide System
Disc Hiller System, with Flat or V Press Wheel
Lift Assist Wheels
U.S. Insecticide
U.S. Insecticide/Herbicide
No-Till & Minimum Till Attachments

This is a downloadable version of the manual. A partial download may not contain all pertinent information. Make Sure to read Chapter 1, Safety!
Due to ongoing upgrades specifications may change without notice, contact a Monosem Rep for current information.

TABLE OF CONTENTS

1. SAFETY

2. PREPARATION

3. FRAME

4. TRANSMISSION

5. DRIVE

6. ROW UNIT

7. OPTIONAL EQUIPMENT

This is a downloadable version of the manual. A partial download may not contain all pertinent information. Make Sure to read Chapter 1, Safety!
Due to ongoing upgrades specifications may change without notice, contact a Monosem Rep for current information.

SAFETY PRECAUTIONS



This symbol means:
**ATTENTION - BECOME ALERT
YOUR SAFETY IS INVOLVED.**



When you see this symbol on the machine or in this manual, be alert to the potential for personal safety. Follow all recommended precautions. Safety of the operator is one of the main concerns in designing and developing a new piece of equipment. You, the operator, can avoid many accidents by observing the warning signs.

Keep safety warning signs clean and readable. Replace all labels on your machine that are damaged, unreadable, or missing.

The signal words used in this manual and on the machine are **DANGER, WARNING, and CAUTION**. Signal words designate a level of hazard:

DANGER: Indicates an imminently hazardous situation that, if not avoided, will result in death or serious injury.

WARNING: Indicates a potentially hazardous situation that, if not avoided, could result in death or serious injury, and includes hazards that are exposed when guards are removed, or to alert against unsafe practices.

CAUTION: Indicates a potentially hazardous situation that, if not avoided, may result in minor or moderate injury, or to alert against unsafe practices.

Listed below are safety precautions that should become standard practice before and during operation, transport, and maintenance of the planter.



GENERAL SAFETY

Any alterations to the design of this planter may create safety hazards. In the case of alterations or changes, you **MUST** follow all appropriate safety standards and practices to protect you and others near this machine from injury.

Agricultural chemicals can be dangerous. Improper use can result in injury to persons, animals and soil. Handle with care and follow instructions of the chemical manufacturer.



BEFORE OPERATION

- Carefully study and understand this manual.
- Learning takes time. Do not hurry the learning process or take the unit for granted. Ease into it and become familiar with your new planter.
- Practice operating your planter and its attachments. Completely familiarize yourself and other operators with its operation before using.
- Do not wear loose fitting clothing that could catch in moving parts.
- Wear suitable protective clothing, shoes, protective hearing and safety glasses. Have necessary safety equipment for handling certain materials you may come in to contact with, such as extremely dusty, molds, fungi, bulk fertilizers, insecticides, etc.
- Inflate the planter tires evenly.
- Inspect the planter for loose bolts, worn parts or cracked welds, and make necessary repairs. Never operate equipment that is not in safe working condition.
- Before applying pressure to the hydraulic system, make sure all connections are tight and that hoses and fittings are not damaged. Hydraulic fluid escaping under pressure can penetrate the skin causing serious injury.
- Before operating the planter for the first time and periodically thereafter, check to be sure the lug nuts on the transport wheel are properly torqued. This is especially important you are going to transport the planter for a long distance.
- Do not allow anyone to stand between the tongue or hitch and the towing vehicle when backing up to the planter.
- Lower the toolbar stands to support the planter. Do not stand between the tractor and the planter when connecting or disconnecting the implement.
- Install lock ups on markers, as provided prior to transporting the planter or working around the unit.
- Stay clear when raising or lowering folding sections. Make sure no one else is near the planter when the folding sections are raising or lowering.
- Remove any tools that are on or in the planter.



SAFETY PRECAUTIONS

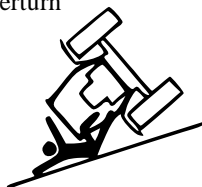


DURING OPERATION

- Beware of bystanders, particularly children! Always look around to make sure that it is safe to start the engine of the towing vehicle.
- Use necessary safety lights and devices and observe legal regulations before transporting on public roads. Check to be sure that all warning lights are working properly before transporting machine.
- Do not allow passengers anywhere on or in the planter during operation.
- Be especially observant of the operating area and terrain – watch for holes, rocks or other hidden hazards.
- Always inspect the operating area prior to operation. Do not operate near the edge of drop-offs or banks. Be extra careful when working on inclines.

- Do not operate on steep slopes as overturn may result.

- Avoid sudden uphill turns on steep slopes, as shift of weight could cause a rollover.



- Reduce speed prior to turns to avoid the risk of overturning.
- Keep hands and clothing clear of moving parts.
- Always make sure there are no persons near the planter when the marker assemblies are in operation.
- If a marker cylinder was removed for any reason, do not attach the rod end of the cylinder until the cylinder is cycled several times to remove any air that may be trapped in the system.
- Serious injury or death can result from contact with electric lines. Use care to avoid contact with electric lines when moving or operating this machine.
- This planter is designed to be driven by ground tires only. The use of hydraulic, electric or PTO drives may create serious safety hazards to you and the people nearby. If you install such drives you must follow all appropriate safety standards and practices to protect you and others near this planter from injury.

- Lower the planter when not in use and cycle the hydraulic control lever to relieve pressure in hoses.



FOLLOWING OPERATION

- When you stop operation of the planter, even if periodically, stop the tractor, set the tractor or towing vehicle brakes, disengage the PTO and all power drives, shut off the engine and remove the ignition key.



UNHOOKING THE PLANTER

- Lower the toolbar stands to support the planter. Do not stand between the tractor and the planter when connecting or disconnecting the implement.
- Before unhooking the planter from the tractor, fully extend the jack stands to the point where the toolbar will remain level. Lock the stands securely in place with the locking pins.
- Lower the planter to the ground. Set the tractor or towing vehicle brakes, disengage PTO and all power drives, shut off the engine and remove the ignition key.
- Unhook the tractor lift arms from hitch pockets and remove center link. If a quick attach is used, position levers so that the locking mechanism is in the “unlatched” position and lower.
- When the lift arms or quick attach arms are clear of the tractor, slowly drive the tractor away from the planter.



STORING THE PLANTER

- Store the planter on a dry, level surface. An uneven surface could cause the planter to shift or fall, resulting in injury or death. Store planter in an area away from human activity.
- Do not permit children to play on or around the stored planter.
- The planter should be stored in a dry and dust-free location with the hydraulic cylinders closed.
- Engage all safety devices for storage.
- You may need wheel chocks to prevent the parked planter from rolling.
- Never work under the planter while in raised position without installing safety lockup pin.

SAFETY PRECAUTIONS



PERFORMING MAINTENANCE

- Good maintenance is your responsibility.
- Make repairs in an area with plenty of ventilation. Never operate the engine of the towing vehicle in a closed building. The exhaust fumes may cause asphyxiation.
- As a precaution, always recheck the hardware on equipment following every 100 hours of operation. Correct all problems.
- Before working on the planter, stop the towing vehicle, set the brakes, disengage the PTO and all power drives, shut off the engine and remove the ignition keys.
- Never work under the planter while it is in a raised position.
- Be certain all moving parts have come to a complete stop before attempting to perform maintenance.
- Always use the proper tools or equipment for the job at hand.
- Never use you hands to locate a hydraulic leak. Use a small piece of cardboard or wood. Hydraulic fluid escaping under pressure can penetrate the skin. If injured by escaping hydraulic fluid, see a doctor at once. Gangrene can result. Without immediate medical treatment, serious infection and reactions can occur.
- Replace all shields and guards after servicing and before moving.
- After servicing, remove all tools, parts and service equipment from on or in the planter.
- If the planter has been altered in anyway from the original design, the manufacturer does not accept any liability for injury or warranty. Any alterations to the design of this planter may create safety hazards. Follow safe practices to avoid injury.



TIRE SAFETY

- Inflating or servicing tires can be dangerous. Do not attempt to mount a tire unless you have the proper equipment and experience to do the job. Whenever possible, call a trained person to service and/or mount tires.
- Failure to follow proper procedures when mounting a tire on a rim can produce an explosion that may result in serious injury or death.
- Check wheels for low pressure, cuts, bubbles, damaged rims or missing lug bolts and nuts.



DRIVE LINE SAFETY

- DANGER.** Contact with a Rotating drive line can cause death – keep away. Do not operate without all driveline, tractor and equipment shields in place. Make sure driveline is securely attached at both ends, and that driveline shields turn freely on driveline.



HYDRAULIC SYSTEM SAFETY

- DANGER.** Before applying pressure to the hydraulic system, check that all connections are tight and that the hoses and fittings have not been damaged. Hydraulic fluid escaping under pressure can penetrate the skin causing serious injury. If injured by escaping hydraulic fluid see a doctor at once. Gangrene can result.



- Relieve pressure on system before repairing, adjusting or disconnecting.

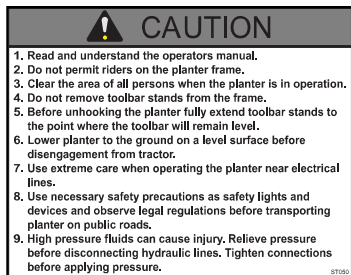
- Wear proper hand and eye protection when searching for leaks. Use wood or cardboard instead of hands.



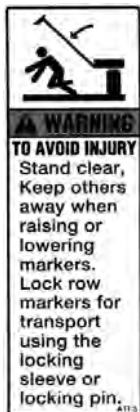
- Keep all components in good repair.

SAFETY PRECAUTIONS

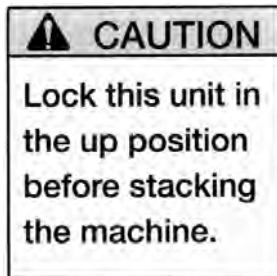
Shown below are various safety stickers, their part number and location. Keep the safety warning signs clean and readable. **Replace all damaged, unreadable, or missing warning labels on your machine.**



ST050 On Front Toolbar



ST052 Row Marker



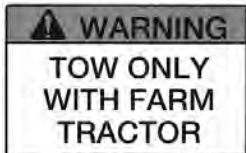
ST053 Front of hopper of inside wing unit of stacker



ST054 Front Toolbar



ST055 Inside of Granular hopper lid.



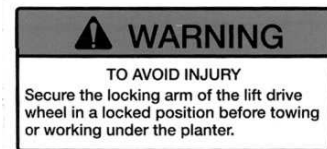
ST056 Front of Pull-Type toolbar.



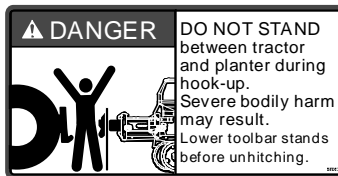
ST057 PTO Shaft.



ST058



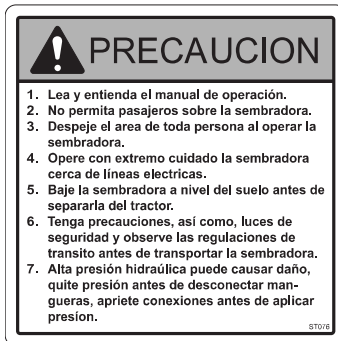
ST059



ST061 Front Toolbar Near Hitch



ST075 Spanish ver. of ST054



ST076 Spanish ver. of ST050



ST077 Spanish ver. of ST055



ST079 Spanish ver. of ST057

This is a downloadable version of the manual. A partial download may not contain all pertinent information. Make Sure to read Chapter 1, Safety!
Due to ongoing upgrades specifications may change without notice, contact a Monosem Rep for current information.

TABLE OF CONTENTS

1. SAFETY

2. PREPARATION

3. FRAME

4. TRANSMISSION

5. DRIVE

6. ROW UNIT

7. OPTIONAL EQUIPMENT

PREPARING THE PLANTER

3- Point Mounted Planters

For the initial preparation of the planter, lubricate the planter and row units. Make sure all tires are evenly inflated, that all drive chains have the proper tension, alignment and lubrication.



CAUTION! Before starting up the planter, check that all main bolts are properly tightened and that planting units are equipped with the proper seed disc. Also check that the shutters inside the metering boxes are adjusted correctly. (See Metering Box.) Check daily to see if the bolts of the hitch are tight as loose bolts can cause the brackets to break.



WARNING! The PTO shaft should be at a reduced angle during lifting. If the angle is too steep, reduce the PTO speed at the end of the field. (Normally the seed will remain under suction even at 400 rpm.)



CAUTION! Except when absolutely necessary, do not leave the turbofan running when the planter is in a raised position.

When planting small seeds (rape, cabbage, uncoated sugarbeet), make sure that the hoppers fit tightly at the bottom. This may be improved if necessary by using a sealant. When planting these small seeds, it is recommended to fill the hopper only one-third full.

LUBRICATION

Proper lubrication of all moving parts will help ensure efficient operation of your Monosem planter and prolong the life of friction producing parts. All bearings (wheels, disc openers, turbofan, and metering box) are self-lubricated for life and therefore no additional greasing is necessary.

The gauge wheel arms may require daily greasing.

The hub of each drive wheel requires greasing once per season.

A general lubricant each day of the chains for the seed spacing gearbox, drive wheel blocks and metering units is recommended (preferably with a chain lubricant which does not attract dust).

NOTE: For 5 x 5 Mounted machines, before starting up the planter, grease the hexagonal shaft where the upper sprocket cluster of the gearbox slides to allow easier alignment of the sprockets.

Also lubricate the claws of the safety clutch of each planting unit to allow for disengagement in case of a blockage.

Oil the chain rollers and shafts of the metering unit chain moderately.

All transmission and drive chains should be lubricated daily with a chain lubricant (which does not attract dust). Extreme operating conditions such as excessive dirt, temperature or speed may require more frequent lubrication. If a chain becomes stiff, it should be removed, soaked and washed in solvent to loosen and remove dirt from the joints. Then soak the chain in oil so that the lubricant can penetrate between the rollers and bushings.

LUBRICATE WHEEL BEARINGS

Wheel bearings should be repacked with clean, heavy-duty axle grease once a year or at the beginning of each planting season. This applies to all drive wheels, transport wheels, and marker hubs.

LUBRICATE GREASE FITTINGS

Those parts equipped with grease fittings should be lubricated at the frequency indicated with SAE multipurpose type grease. Be sure to clean the fitting thoroughly before using a grease gun. The frequency of lubrication recommended is based on normal operating conditions. Severe or unusual conditions may require more frequent attention.

There are a number of sealed bearings on your planter to provide trouble free operation. These sealed bearings are lubricated for life.

Frequency of lubrication for:

Chain lubricant

DAILY

- Unit drive chains
- Wheel block drive chains
- Transmission chains & rollers
- Insecticide drive chains
- Liquid fertilizer squeeze pump drive
- Chain rollers and shafts on unit

Grease

DAILY

- Gauge wheel arms
- Row marker hinge points

WEEKLY

- Row unit closing wheel/disc closing assembly pivot points.

PREPARING THE PLANTER

3- Point Mounted Planters

CHAIN TENSION ADJUSTMENT

The drive chains are spring loaded and therefore self-adjusting. The only adjustment needed is to shorten the chain if wear stretches the chain and reduces spring tension. The pivot point of these idlers should be checked periodically to ensure they would rotate freely.

TIRE PRESSURE

Tire pressure should be checked regularly and maintained as follows:

Transport ground drive: 7.60 x 15 35 PSI (7x7)
5.90 x 15 36 PSI (5x5)



DANGER

Rim and tire servicing can be dangerous. Explosive separation of a tire and rim parts can cause serious injury or death.



Do not attempt to mount a tire unless you have the proper equipment and experience to perform the job. Only properly trained and equipped people should do this job.

Maintain the correct tire pressure. Do not inflate the tires above the recommended pressure.

When inflating tires, use a slip-on air chuck and extension hose long enough to allow you to stand to one side, and not in front of or over the tire assembly. Use a safety cage to enclose the tire and assembly when inflating.

Inspect tires and wheels daily. Do not operate with low pressure, cuts, bubbles, damaged rims or missing lug bolts and nuts.

VALVE BLOCK ASSEMBLY INSPECTION

The valve block assembly consists of the marker sequencing and flow control valves in one assembly. The sequencing valve consists of a chambered body containing a spool and series of check valves to direct hydraulic oil flow. Should the valve malfunction, the components may be removed for inspection as follows:

1. Remove valve block assembly from planter
2. Remove detent assembly and port adapter assemblies from rear of valve block.
3. Remove plug from both sides of valve block and remove spool.
4. Inspect all parts for pitting, contamination or foreign material. Also check seating surfaces inside the valve. Replace any parts found to be defective.
5. Lubricate spool with light oil and reinstall. Check to be sure spool moves freely in valve body.

Important: Make sure the correct check ball(s) and spring are installed in each valve bore before reassembly.

A flow control valve is located on each side of the block assembly. The flow control valves should be adjusted for raise and lower speed as part of the assembly procedure or upon initial operation. If the valve fails to function properly or requires frequent adjustment, the needle valve should be removed for inspection. Check for foreign material and contamination. Be sure the needle moves freely in adjustment screw. Replace any components found to be defective.

PREPARING THE PLANTER

3- Point Mounted Planters

TRACTOR PREPARATION & HOOKUP

Consult your dealer for information on the minimum tractor horsepower requirements and tractor capability. Tractor requirements will vary with planter options, tillage and terrain. Check your tractor manual for specific detailed information regarding the operation of your tractor.

1. Set tractor rear wheel spacing at double the planter row spacing. On wide front-end tractors set the front wheel spacing equal to rear wheel spacing. Check tractor operator's manual for correct front and rear tire pressure.
2. Adjust the lift links on the tractor so the planter will lift level from side to side and raise high enough for planter transport clearance. Set the sway blocks on the tractor in position to prevent side sway. Be sure the individual lift link arms are in the float position.
3. Back the tractor up to the planter. Position the lower hitch pins and spacers for your type of tractor hitch. Line up the holes. Insert the hitch pins that are provided through the hole to lock in place. It may be necessary to change the length of the upper link with the adjusting handle.

Note: If the tractor has an adjustable center link, using the lowest adjustment hole will provide maximum clearance in the raised position and yet allow the planter to remain level during field operation.

DANGER Never transport folding models with lift assist wheels without a quick hitch in place. If a quick hitch is not in place, a sudden stop could allow the toolbar to rotate forward causing serious personal injury or damage to the equipment.

4. Connect the PTO drive shaft to the tractor. In addition to a standard 450/540 rpm PTO, a 1000-rpm shaft is available.

CAUTION Make sure that you connect the proper end of the PTO to the tractor. An arrow on the PTO indicates the end that is attached to the tractor.

The following sticker is placed on your PTO shaft for your safety.

DANGER
Rotating driveline contact can cause death – keep away.
Do not operate without all driveline, tractor and equipment shields in place, without drivelines securely attached at both ends, and without driveline shields that turn freely on driveline.



5. Connect the hydraulic hoses to tractor ports in a sequence that is both familiar and comfortable to the operator.

DANGER: Before applying pressure to the hydraulic system, make sure all connections are tight and hoses and fittings have not been damaged. Hydraulic fluid escaping under pressure can have sufficient force to penetrate skin, causing injury or infection.



CAUTION Always wipe hose ends to remove any dirt before connecting couplers to tractor parts.

NOTE: Double check that the locking sleeves or locking pins on the row markers are in working position.

6. Raise the planter slowly and watch for any interference. Remove pin from each parking stand and raise each to the transport. Secure stands in the raised position with the pin in the lowest hole.
7. Slowly lower the planter so the drive wheels rest on the ground, and check to be sure that the planter is level. Readjust the top link as required to level row units.

CAUTION As a general safety practice and to avoid damage to the tractor hydraulic system, always lower the planter when not in use.

PREPARING THE PLANTER

3- Point Mounted Planters

IMPORTANT: Check daily to see if the bolts of the hitch are tight as loose bolts can cause the brackets to break.

LEVELING THE PLANTER

For proper operation of the planter and row units, it is important that the unit operate level.

With the planter lowered to proper operating depth, check to be sure that the frame is level fore and aft (front to back and side to side). Recheck once the planter is in the field.

Tire pressure can affect the lateral leveling of the planter. Maintain the tire pressure as mentioned in this section.

On planters equipped with the optional dual lift assist wheels, adjustment holes on the lift assist cylinder mounts allow for adjustment for lift height and adjustment for leveling the planter frame. Depth stops on the lift assist cylinders can be added or removed for additional adjustment.

TRANSPORTING THE PLANTER



CAUTION: Use necessary safety precautions such as safety lights and devices.

Observe legal regulations before transporting the planter on public roads.

Always drive at a safe speed relative to local conditions and ensure that your speed is low enough for an emergency stop to be safe and secure.

Do not carry passengers on transported equipment.

Make sure to clear any obstructions overhead and to the side of the implement while transporting.

Make allowances for increased length and weight of the planter when making turns, stopping, etc.

OPERATING SPEED

The operating speed needs to be selected as a function of:

- The desired consistency in the row
- The ground conditions
- The density of the seed

OPERATING SPEED

A high speed is not conducive to accuracy, especially in rough or rocky conditions that causes the unit to bounce.

Likewise, a high seed density may cause the disc to rotate fast, thus burdening the metering.

It should be noted, and especially for corn, that misshapen and angular seeds are difficult to sow regularly, particularly at high working speeds.

A base speed of 3 ½ to 4 ½ mph (5-7 km/h) assures good results for most seeds in the majority of conditions. However, when planting corn at lighter population more than 6" (15 cm) between the seed, 5-6 mph (8-10 km/h) is quite possible.

For planting of high seed population such as peanuts, edible beans, and kidney beans, best results can be obtained by not going faster than 3-4 mph (4.5-6 km/h).

FIELD TEST

Before the initial operation of the planter, a field test is advised. Check for the following:

- That the planter is level (front to back and side to side)
- Check that the hydraulics of the 3-point hitch of the tractor is in a float position while planting.
- That all of the row units are running level and remain parallel to the ground when planting.
- Check that each metering unit is metering properly (see metering unit section).
- Check that the seed disc you are using has the proper number of holes and proper diameter of holes for the type of seed you will be planting (see Seed Disc section in chapter 6 – Row Unit).
- Check that the row markers are adjusted properly.
- Check that you are using the proper application rates of chemicals on all rows.
- Check that you have set the desired depth of seed placement and checked your seed population on all rows.

PREPARING THE PLANTER

3- Point Mounted Planters

CHECKING SEED POPULATION

1. Only one planting unit is necessary to check your seed population. Tie up the sets of closing wheels on one unit with a heavy cord or light chain. It may be necessary to decrease the tension of the closing wheel arm.
2. Put seed in the seed hopper.
3. Begin planting. At the end of a short distance (for example 100 yards or 90 meters) check to see if seed is visible in the seed trench. Make adjustments in your seed depth if necessary.
4. Measure off 1/200 of an acre of the test row just planted. Use the chart below to find the approximate distance. Mark this distance with flags.

Count the seeds within the distance between the flags. Multiply the number of seeds counted in this distance by 200. This will give you the total number of seeds planter per acre.

Fraction Of Acre	Length of Row in Feet			
	Row Width			
	22"	30"	36"	40"
1/200	119	87	72 ½	66

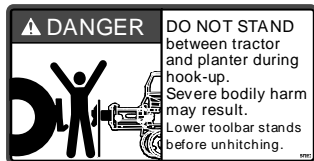
Note: When viewing the test row for seed population and placement, remember that the closing wheels were tied up in a raised position. Therefore, the seeds may have rolled or bounced and will affect your seed placement for accuracy.

UNHOOKING THE PLANTER



DANGER:

Before unhooking the planter from the tractor, fully extend the jack stands to the point where the toolbar will remain level. Lock the stands securely in place with the locking pins. Do not stand between the tractor and the planter when connecting or disconnecting the implement.



TOOLBAR STANDS

One or two toolbar stands are located on the front of the main frame. Do not position the stands directly behind the tractor tire or they will hit when the planter is raised. Planters with front mounted drive wheels do not require toolbar stands.

1. Lower the planter to the ground. Set the tractor or towing vehicle brakes, disengage PTO and all power drives, shut off the engine and remove the ignition key.
2. Unhook the tractor lift arms from hitch pockets and remove center link. If a quick attach is used, position levers so that the locking mechanism is in the "unlatched" position and lower.
3. When the lift arms or quick attach arms are clear of the tractor, slowly drive the tractor away from the planter.

STORAGE

After the season, thoroughly clean the machine, especially the metering boxes. The microgranular applicator should be completely emptied and the fertilizer applicator scraped of any fertilizer residue. After emptying the trap doors, turn the shafts manually to remove any residual product from the mechanism.

- Except for the microgranular applicator, protect all metal parts against oxidation by applying a coat of oil or diesel fuel.
- Grease the exposed areas of cylinder rods. Also grease or paint the disc openers to prevent rust.
- Inspect and replace any worn parts at the end of the planting season. New parts are available for replacement from your dealer.
- Remove all trash that may be wrapped on sprockets or shafts and remove dirt that can draw and hold moisture.
- Clean all drive chains and coat with a rust preventative spray, or remove chains and submerge in oil.
- Lubricate planter and row units at all lubrication points.

The planter should be stored in a dry and dust-free location with the hydraulic cylinders closed.

TABLE OF CONTENTS

1. SAFETY

2. PREPARATION

3. FRAME

4. TRANSMISSION

5. DRIVE

6. ROW UNIT

7. OPTIONAL EQUIPMENT

FRAME

7" x 7" Stacker Bar

STACKER BAR

The Stacker Bar includes a heavy 3/8" wall tubing, 14" wide hinge joints for the Large Stacker, 12" hinge joints for the Small Stacker and two 5" x 24" cylinders on the Large, two 3.5" x 24" for the Small. To reduce stress on the hinge points and provide extra support the hitch mast is braced to the truss bar.

The maximum weight allowed on each wing of the Stacker Bar is 3200 pounds. This combined weight is to include all planter units, planter drives, optional equipment, seed and insecticide.



CAUTION

The Maximum transport speed for this Stacker Bar is 10 MPH, or 16 km/h. DO NOT EXCEED. Never travel at any speed that does not permit adequate control of steering and stopping.



WARNING

Secondary Bars used on the wings of the Stacker Bar are not to be more than six inches (6") from the main bar. Use of secondary bars further than six inches on the wings will cause damage to the Stacker Bar.

OPERATION - LARGE STACKER BAR- Change From Rigid to Flex

1. Take Pin A from holder position and insert into hole to fix wing and center section together.
2. Take Pin B from holder position, and insert into hole.
3. Loosen both sets of jam nuts & hex nuts at D & E
4. Remove pin C, reposition Leveling Link and re-pin in the lower hole
5. Remove outer jam nut, hex nut, and washer at E. Add another PVC spacer to the one already present.
6. Reposition hex nut & jam nut pair at D, 1 9/16" in toward the fixed end.
7. Reposition hex nut & jam nut at D, positioning them up against the PVC spacers.
8. Securely tighten both sets of jam nuts & hex nuts against each other without putting pressure on the PVC spacers.
9. Remove Pin A from hold, and place in holder.

LARGE STACKER BAR - Change From Flex to Rigid

1. Take Pin A from holder position, and insert into hole to fix wing and center section together.
2. Remove Pin B from hole, and place into holder.
3. Loosen both sets of jam nuts & hex nuts at D & E
4. Remove Pin C, reposition Leveling Link and re-pin in upper hole.
5. Remove outer jam nut, hex nut, washer, and one PVC Spacer at E.
6. Reposition hex nut & jam nut pair at D, tighten snug against Leveling Link.
7. Reinstall washer, hex nut, and jam nut at E, positioning them up against the Leveling Link.
8. Securely tighten both sets of jam nuts & hex nuts against each other.

FRAME

7" x 7" Stacker Bar

OPERATION

SMALL STACKER BAR

You can set the small Stacker Bar in the Rigid, the Flex Up & Flex Down, or the Flex Up only operating modes.

If the planter has drive wheels on the wings, you can only use the Rigid operating mode. Refer to diagram.

NOTE:

You may have to adjust the Leveling Link in order to easily place or remove Pin 1 & 2 in their respective holes. If adjusted for this reason, you must return the Leveling Link to its original setting to make the wings level when folded for transport. Adjust Leveling Link as follows:

1. Raise planter off ground in unfolded position.
2. Relieve all cylinder pressure.
3. Adjust Leveling Link so that you can easily install or remove the pin.

Rigid

Pin 1 → Hole A

Pin 2 → Storage Holder

Pin 3 → Hole D

To transport, remove Pin 3, and place in Storage Holder

Flex Up & Down

Pin 1 → Storage Holder

Pin 2 → Hole C

Pin 3 → Storage Holder

To transport, remove Pin 2, and place in Storage Holder

Flex Up Only

Pin 1 → Hole B

Pin 2 → Hole C

Pin 3 → Storage Holder

To transport, remove Pin 2, and place in Storage Holder.

FRAME

7" x 7" Stacker Bar

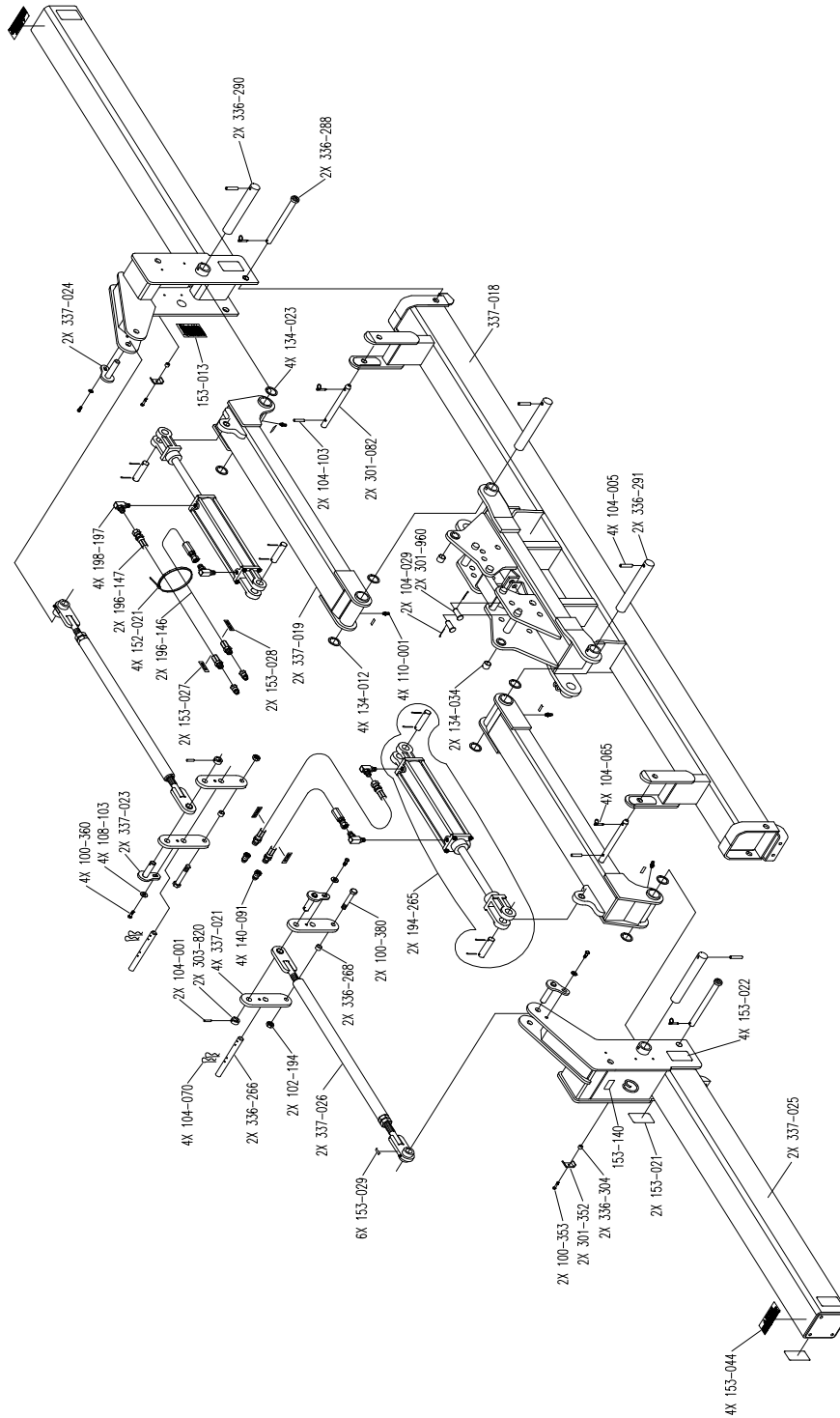
On this page, find all **Part Number Descriptions** for the Stacker Bars 8-Row 38"- 40", 12-Row 30", 12-Row 36", 12-Row 38"- 40", and the 16-Row 30"

PART No.	DESCRIPTION	PART No.	DESCRIPTION
100-114	Hex bolt 1/2 x 1	198-197	Elbow fitting
100-174	Hex bolt 3/4 x 9	301-080	Bracket angle right
100-264	Hex bolt 1/4 x 7 1/2	301-081	Bracket angle left
100-353	Hex bolt M10 x 40	301-082	Rest brt. Pin
100-360	Hex bolt M12 x 25	301-146	Hinge pin
102-004	Nut 5/16	301-148	Wing pin
102-009	Nut 3/4	301-149	Linkage pin
102-012	Nut 1 1/8	301-150	Spacer plate
102-040	Nut 1 3/8	301-153	Spacer bushing
102-063	Jam nut 1 3/8	301-156	Locking pin
102-194	Lock nut M20	301-159	Hose assy. 13'
104-001	Roll pin 5/16" x 1 1/2"	301-161	Hose assy. 11'
104-005	Roll pin 1/2" x 2 1/2"	301-234	Spacer
104-028	Cotter pin 3/16" x 1 1/2"	301-276	Linkage pin
104-040	Cotter pin	301-277	Pin
104-065	Linch pin	301-281	Turnbuckle screw R.H. thread
104-070	Hair pin clip 3/16" x 3 9/16"	301-282	Turnbuckle screw L.H. thread
104-085	Pin 1" x 3 5/8"	301-352	Clamp
104-096	Cylinder pin 1 1/4" x 4"	303-820	Pin collar 1" x 5/8"
104-103	Roll pin 3/8" x 2"	318-460	Hose mtg. Strap
106-109	Machine screw 1/4 x 3/8	333-500	Mount
108-001	Flat washer 1/2	336-266	Lock pin
108-005	Flat washer 1/4	336-268	Bushing 1 1/4" x 13/16" x 3/4"
108-017	Lock washer 5/16	336-288	Lock pin
108-020	Lock washer 1/2	336-290	Pin
108-022	Lock washer 3/4	336-291	Pin
108-103	Washer M13 x 24	336-304	Spacer
110-001	Grease fitting 1/4"	337-008	Swing truss (blue)
134-005	Bushing 2 1/8" x 1 3/4" x 2"	337-009	Wing (blue)
134-012	Bushing 2 1/2" x 1 3/4" x 10GA	337-010	Planter center (ref. Only)
134-023	Bushing 2 1/2 x 1 3/4 x 14GA	337-011	Planter center (ref. Only)
134-030	Bushing	337-012	Wing (blue)
134-034	Bushing 1 1/4" x 1" x 1"	337-013	Swing truss (blue)
134-038	Split bushing 1 1/4" x 1" x 3/4"	337-015	Floating link (blue)
140-091	Tractor quick disconnect	337-016	Floating link (blue)
194-194	Fold cylinder	337-017	Turn buckle
194-210	Seal kit	337-018	Center section (ref.)
194-211	Clevis	337-019	Swing truss (blue)
194-212	Piston Hd/Gld	337-025	Wing (blue) 8R36"
194-213	Rod	337-026	Turnbuckle (blue)
194-214	Barrel	337-041	Wing (blue) 12R36
194-215	Base	337-119	Swing truss (blue)
194-264	Seal kit	337-140	Planter center (ref. Only)
194-265	Lift cylinder 4" x 24"	337-191	Wing (blue)
194-266	Fold cylinder	337-238	Floating link (blue)
196-146	Hydraulic hose assy. 1/4 x 8'	337-322	Swing truss (blue)
196-147	Hydraulic hose assy. 1/4 x 10'	337-323	Planter center (ref. Only)
198-080	Elbow fitting		

FRAME

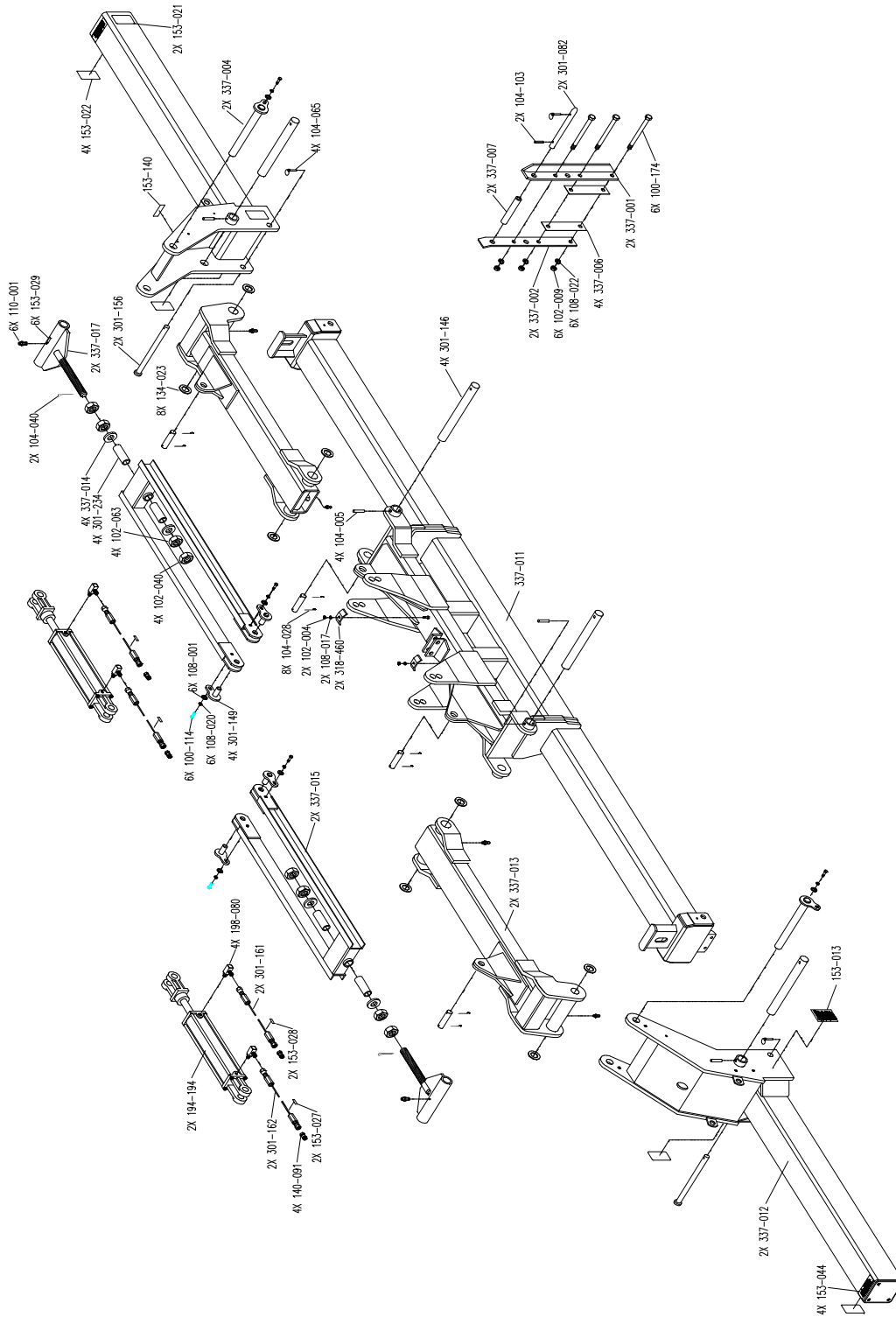
7" x 7" Stacker Bar 8-Row 38"-40"

O637-006



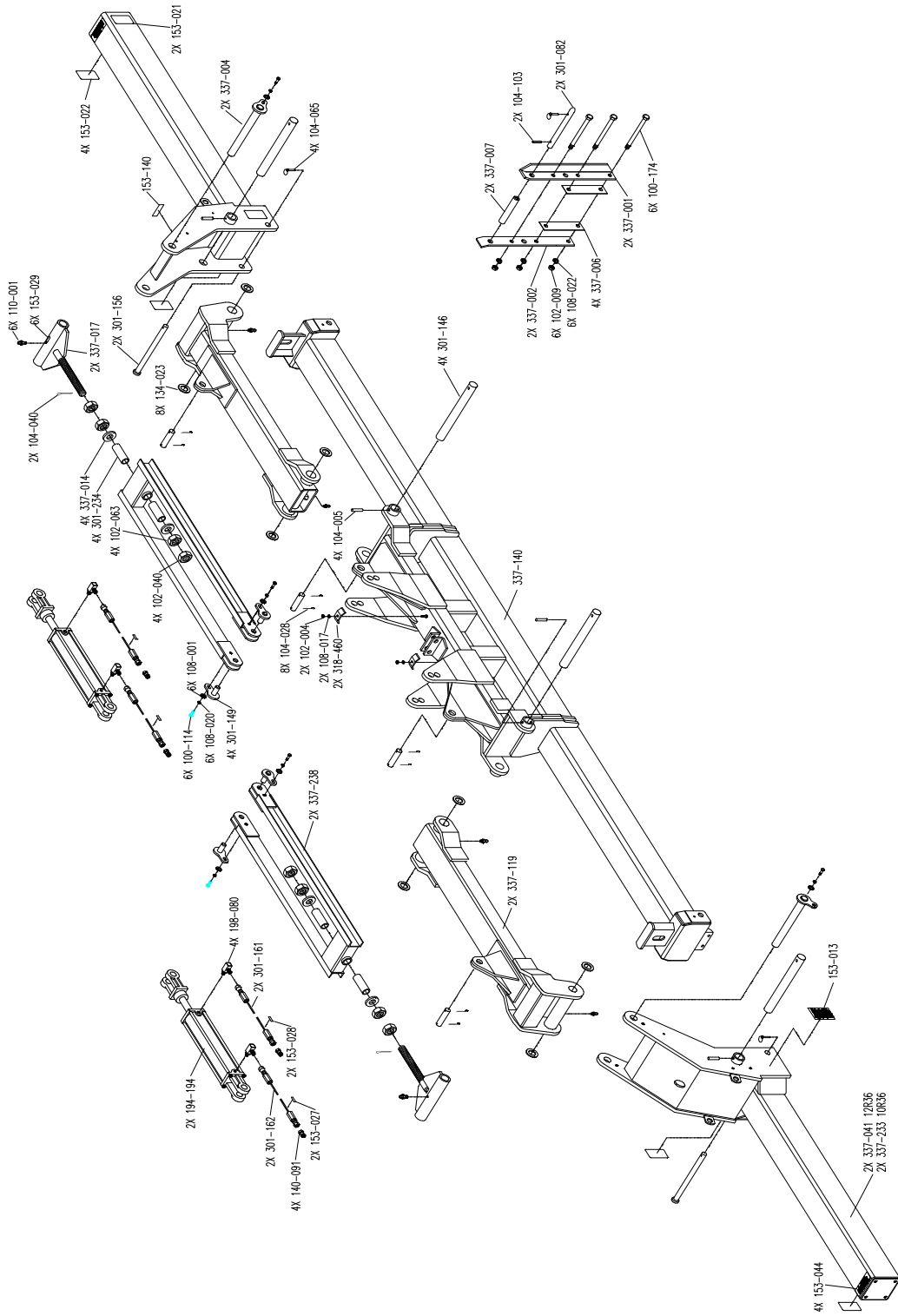
FRAME

7" x 7" Stacker Bar 12-Row 30"
O637-003



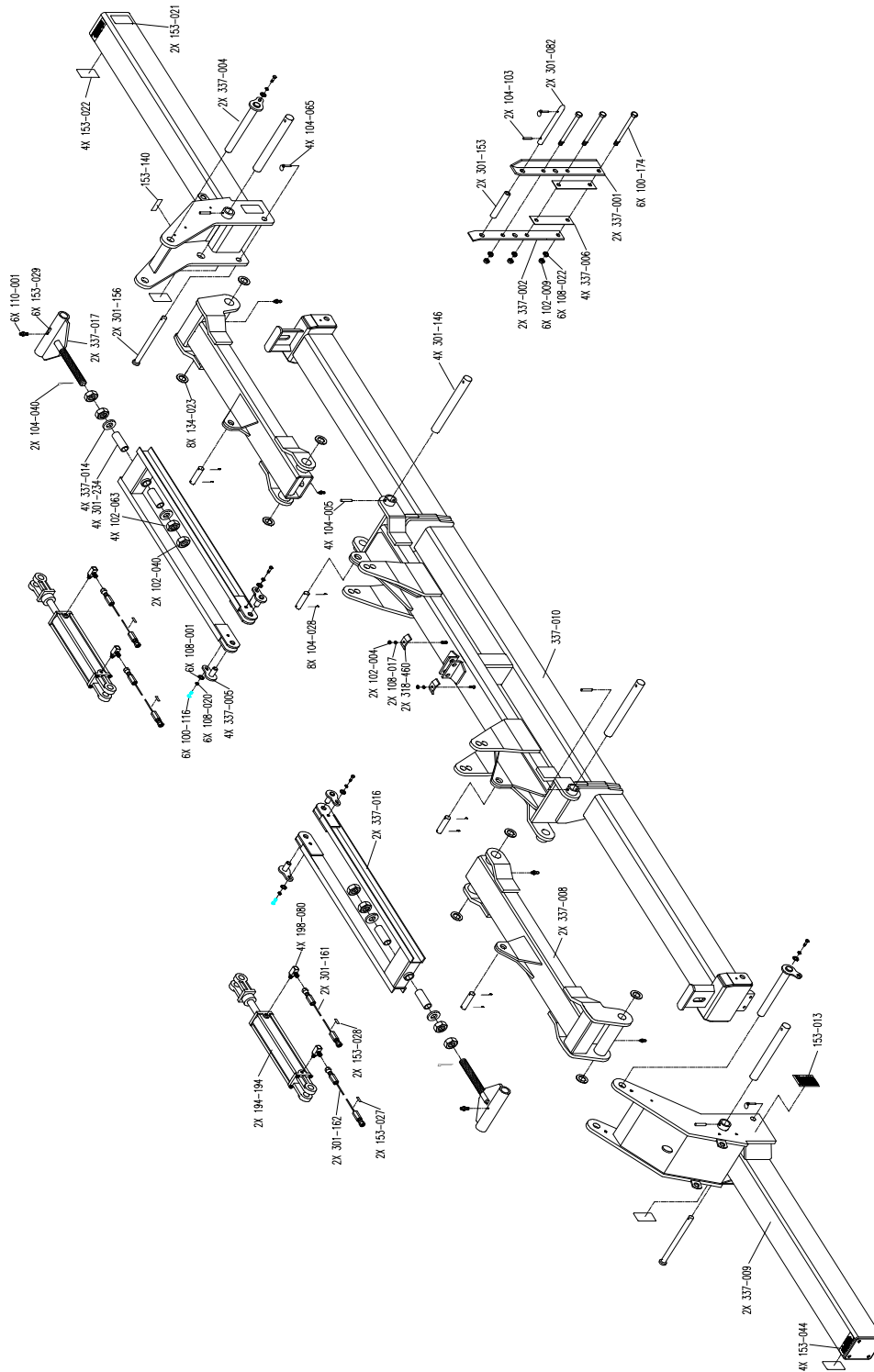
FRAME

7" x 7" Stacker Bar 12-Row 36"
O637-008



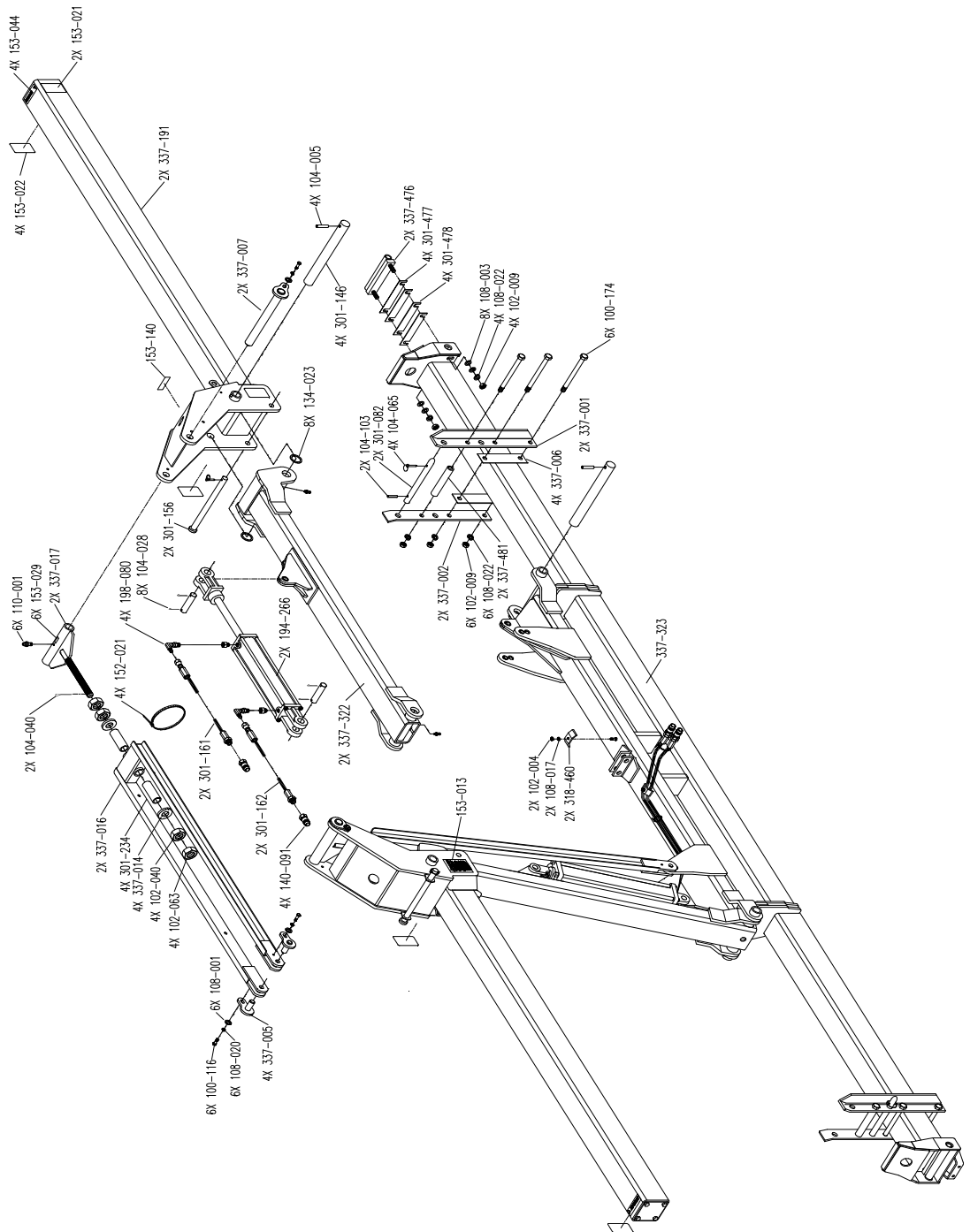
FRAME

7" x 7" Stacker Bar 12-Row 38"-40"
O637-004



FRAME

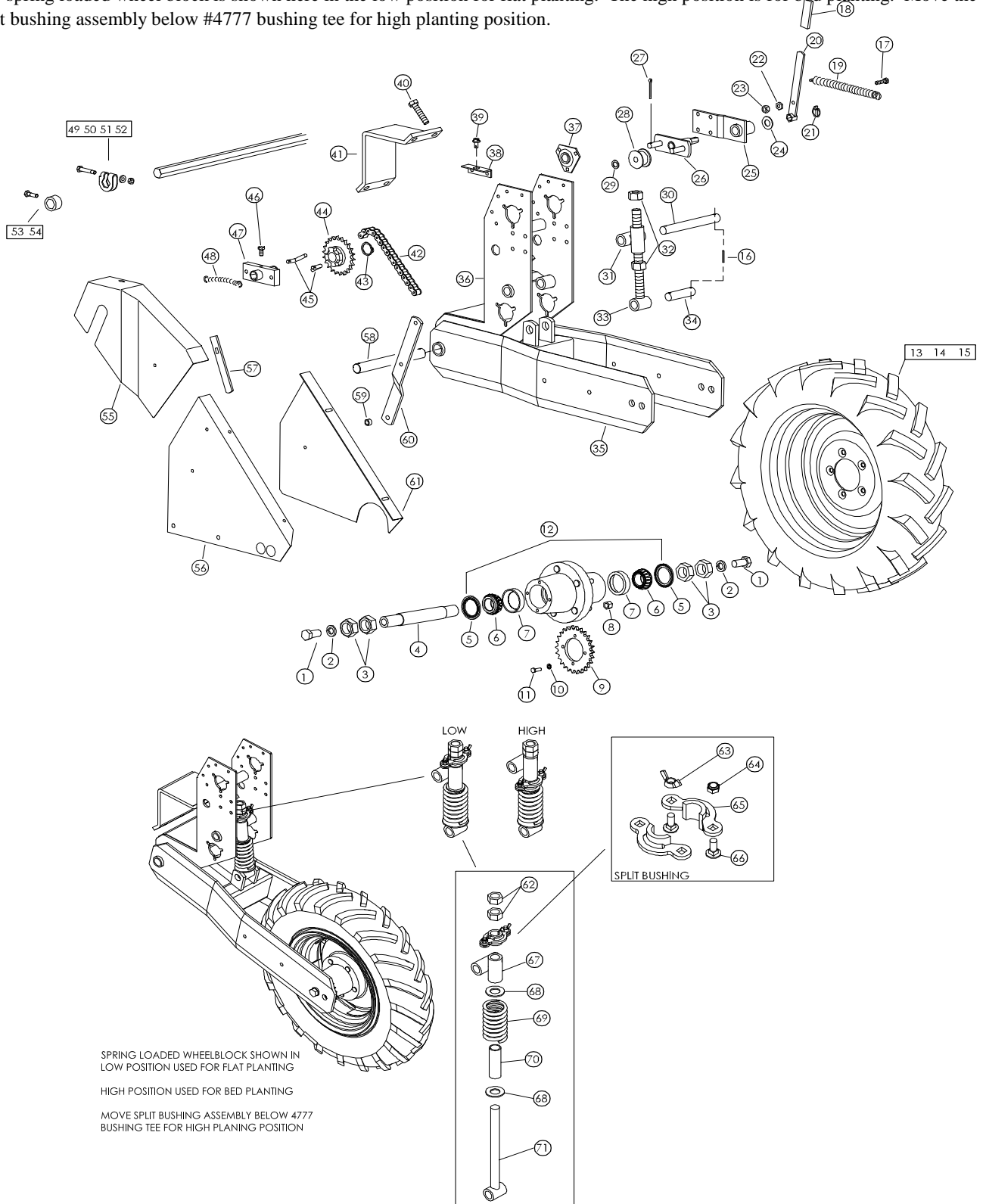
7" x 7" Stacker Bar 16-Row 30"
O637-014



FRAME

Stacker Bar Wheel Block, Rear Mounted

The spring loaded wheel block is shown here in the low position for flat planting. The high position is for bed planting. Move the split bushing assembly below #4777 bushing tee for high planting position.



SPRING LOADED WHEELBLOCK SHOWN IN
LOW POSITION USED FOR FLAT PLANTING
HIGH POSITION USED FOR BED PLANTING
MOVE SPLIT BUSHING ASSEMBLY BELOW 4777
BUSHING TEE FOR HIGH PLANTING POSITION

FRAME

Stacker Bar Wheel Block, Rear Mounted

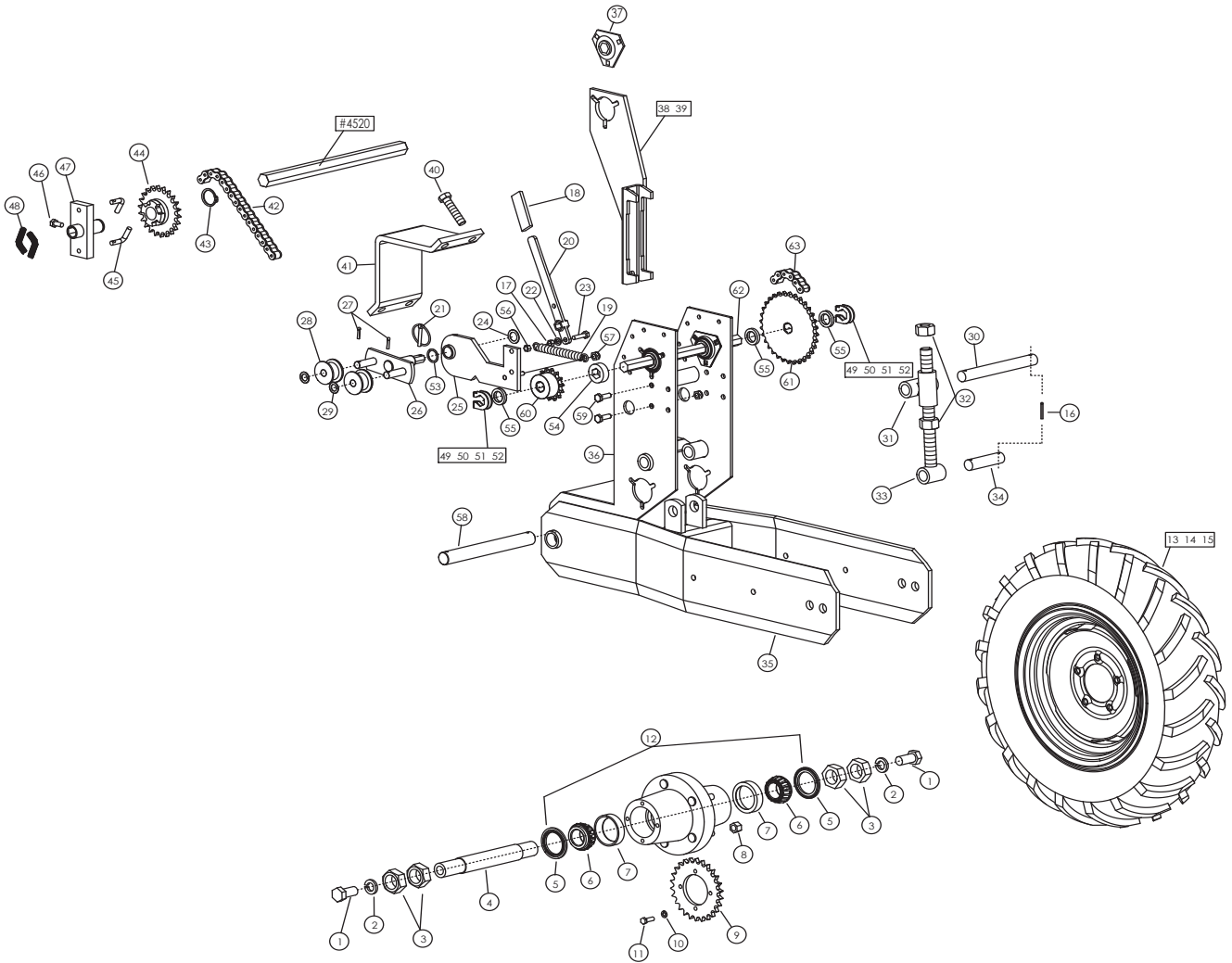
ITEM PART No.	DESCRIPTION
4520	Hex shaft. Specify length.
1 H-6151	Hex head bolt, 3/4-10 x 1-1/2", Gr.5
2 F33632	Lock washer, 3/4"
3 N-9600	Jam nut, 1-1/4-12
4 AS7191-E-16	Spindle
5 P602106	Grease seal
6 P752318	Tapered roller bearing (Peer 14136A)
7 P702216	Cup for tapered roller bearing
8 P201602	Lug nut, 1/2-20
9 4782.A	Drive Sprocket, 26 tooth, #50
10 W-1610	Lock washer, 5/16"
11 H-2100	Hex head bolt, 5/16-18 x 1", Gr.5
12 A525200-5	Hub assembly (Hub and items 5-8)
13 G170227132	Tire only, 7.60 x 15, 6ply
14 AW51522V	Rim only, 5 x 15 w/valve guard
15 900015.2	Tire assembly (items 13 & 14)
16 10172095	Roll pin, 6 x 50
10172093	Roll pin, 6 x 40
17 10502018	Hex head bolt, 10 x 35
18 HM-41035	Plastic cover for handle
19 9613.S	Spring
20 4787	Handle, chain tightener
21 9557	Lynch pin
22 NM-21011	Nut, 10mm
23 NM-21015	Nylon locknut, 10mm
24 10623028	Washer, 21x40x2
25 4784.A	Idler support bracket
26 4786.B	Idler bracket
27 10170067	Cotter pin, 5 x 40
28 KD0916	Idler roller
29 10622026	Washer, 16.5x26x2
30 4779	Upper pin, 25mm x 215mm
31 4777	Bushing tee
32 30600025	Nut, 24mm
33 4775.A	Threaded rod, 24mm
34 4778	Lower pin, 25mm x 103mm
35 4773.B	Tapered wheel mounting frame
36 4774.1	Wheel unit bracket
37 4515	Bearing complete with flanges
4515.1	Bearing only, hex bore (205KRRB2)
4515.2	Flange
38 5132	Bracket for shield mounting
39 9724.2	Keeper bolt for shield
40 HM-81670	Hex head bolt, 16 x 70
41 4882	Clamp facing, 7x7

ITEM PART No.	DESCRIPTION
42 4791.A	Drive chain, #50, 130 links w/connector link
43 6915	Snapping, external (30mm)
44 4790.A	Sprocket, slip clutch (22 teeth)
45 4789	L pin, for slip clutch
46 HM-41025	Hex head bolt, 10 x 20
47 4788	Slip clutch block
48 5247	Spring
10170067	Cotter pin, 5 x 40
49 4523.1	Narrow hex shaft stop, complete
50 HM-2845	Hex head bolt, 8 x 45
51 10620064	Washer, 8.5x16x2
52 NM-1812	Nut, 8mm
53 HM-41010	Hex head bolt, 10 x 15
54 4523	Bushing stop
55 5130.G	Left hand upper chain guard (shown)
5130.D	Right hand upper chain guard
56 4783.GB	Left hand lower chain guard (shown)
4783.DB	Right hand lower chain guard
57 5131	Shield guide bar
58 4776.A	Front pin, 30mm x 260mm
59 1538	Spacer bushing, 12x18x10mm wide
60 5129	Shield mounting brace
61 4729.G	Lower left inside chain guard (shown)
4729.D	Lower right inside chain guard

ITEM PART No.	DESCRIPTION
Optional Helper Spring for Stackerbar only	
62 NM-82401	Nut, 24mm
63 NM-21016	Wing Nut, 10 x 1.5 mm
64 NM-21015	Nylock Nut, 10 x 1.5 mm
65 800439	Split Bushing
66	Carriage Bolt, 10 x 30 mm
67 4777	Bushing tee w/ grease zerk
68 W-7410	Washer, 1" FLAT
69 900318.A	COMPRESSION SPRING, 5"
70 900420	Spacer, 1" x 1 1/4" x 3 1/4"
71 4775.S	Threaded rod, 24 x 284 mm, 50 mm threads

FRAME

7" x 7" Wheel Block, Front Mounted



FRAME

7" x 7" Wheel Block, Front Mounted

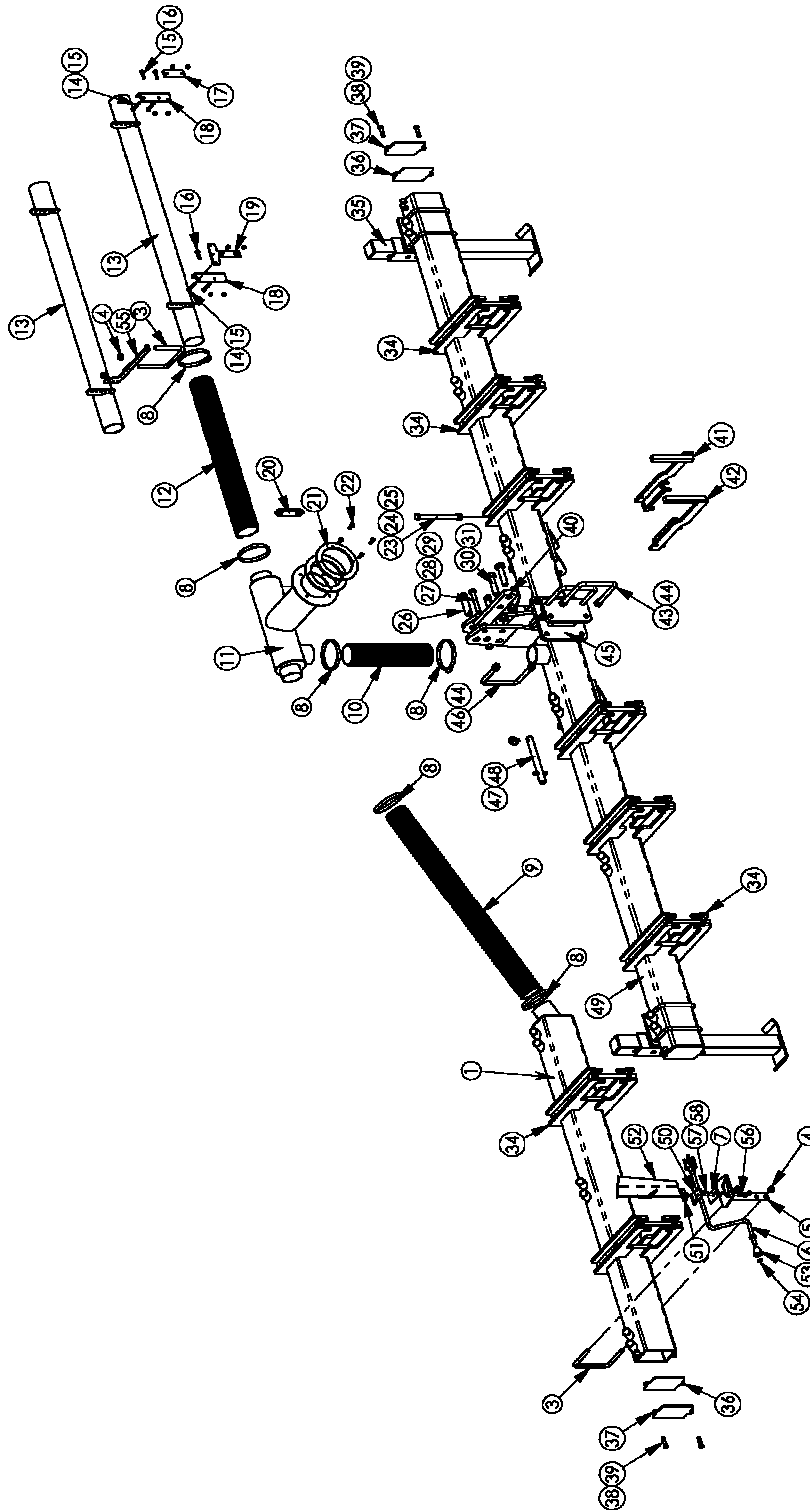
ITEM	PART No.	DESCRIPTION
	4520	Hex shaft. Specify length.
1	H-6151	Hex head bolt, 3/4-10 x 1-1/2"
2	F33632	Lock washer, 3/4"
3	N-9600	Jam nut, 1-1/4-12
4	AS7191-E-16	Spindle
5	P602106	Grease seal
6	P752318	Tapered roller bearing (Peer 14136A)
7	P702216	Cup for tapered roller bearing
8	P201602	Lug nut, 1/2-20
9	4782.A	Drive Sprocket, 26 tooth, #50
10	W-1610	Lock washer, 5/16"
11	H-2100	Hex head bolt, 5/16-18 x 1"
12	A525200-5	Hub assembly (Hub and items 5-8)
13	G170227132	Tire only, 7.60 x 15, 6ply
14	AW51522V	Rim only, 5 x 15 w/valve guard
15	900015.2	Tire assembly (items 13 & 14)
16	10172095	Roll pin, 6 x 50
	10172093	Roll pin, 6 x 40
17	N-2001	Hex Nut 3/8"-16
18	4894	Plastic cover for handle
19	9613.S	Spring
20	4787.AT	Idler Handle, chain tightener
21	9557	Lynch pin, 6mm
22	W-2610	3/8" Lock Washer
23	H-3120	Hex head bolt, 3/8"-16 x 1-1/2"
24	10623028	Washer, 21x40x2
25	800285.L	Idler plate left
	800285.R	Idler plate right
	900406.L	Complete Idler L.H. Assembly
	900406.R	Complete Idler R.H. Assembly
26	4786.B	Idler bracket
27	10170067	Cotter pin, 5 x 40
28	KD0916	Idler roller
29	10622026	Washer, 16.5x26x2
30	4779	Upper pin, 25mm x 215mm
31	4777	Bushing tee
32	NM-82401	Nut, 24mm
33	4775.A	Threaded rod, 24mm
34	4778	Lower pin, 25mm x 103mm

ITEM	PART No.	DESCRIPTION
35	4773.B	Tapered wheel mounting frame
36	4774.1	Wheel unit bracket
37	4515	Bearing complete with flanges
	4515.1	Bearing only, hex bore (205KRRB2)
	4515.2	Flange
38	E4025.L	Bearing Support LH Topshaft (shown)
39	E4025.R	Bearing Support RH Topshaft (shown)
40	HM-81670	Hex head bolt, 16 x 70mm
41	4882	Clamp facing, 7x7
42	4791.B	Drive chain, #50, 130 links w/conn link + 40 links w/ another conn link
43	6915	Snapping, external (30mm)
44	4790.A	Sprocket, slipclutch (22 teeth)
45	4789	L pin, for slipclutch
46	HM-41025	Hex head bolt, 10 x 25mm
47	4788	Slipclutch block
48	5247	Spring
	10170067	Cotter pin, 5 x 40
49	4523.1	Narrow hex shaft stop, complete
50	HM-2845	Hex head bolt, 8 x 45mm
51	10620064	Washer, 8.5x16x2
52	NM-1812	Nut, 8mm
53	10623063	Washer, 26 x 41 x 2mm
54	4523	Bushing stop
55	K10233	Bushing machine 1.5" OD. X 1" ID.
56	N-2101	3/8"-16" Nylock
57	NM-21015	10-1.5 Nylock
58	4776.A	Front pin, 30mm x 260mm
59	HM-41030	Hex head bolt M10-1.5 x 30mm
60	G50B14	Sprocket 14T Hex bore, #50 Chain
61	G50B32	Sprocket 32T Hex bore, #50 Chain
62	4520 13-1/2"	Hex shaft 13.5" Length
		#50 Chain 32 Links including w/conn link 20" chain length
63	4791.C	
	65009380	32 T slipclutch sprocket for timing

FRAME

7" x 7" Stacker Bar

HITCH ASSEMBLY



FRAME

7" x 7" Stacker Bar

HITCH ASSEMBLY

ITEM	PART No.	DESCRIPTION	ITEM	PART No.	DESCRIPTION
1	900414	Vacuum wing L.H.	46	900200	U-Bolt 5 x 7 x 3/4-10
2	900415	Vacuum wing R.H.	47	O302-592	Lower hitch pin
3	900198	U-Bolt 7 x 5 x 5/8-11	48	O104-036	Lynch pin 7/16" dia
4	N-5101	Nylock 5/8-11	49	900418	Hitch 5 x 7 w/air
5	800444	Handle Bracket	50	800444.3	Angle Plate for Handcrank
6	900341	Hand Crank	51	65035K44	Knob T-Handle
7	800444.2	Flat Plate for Handcrank	52	7125.A	Seed Emptying Chute
8	HC-512	Hose clamp 4"	53	6712.A	Knob Handcrank
9	P150CL-4	Flex hose 4" x 47"	54	6714.A	16mm Stop Snap Ring
10	P150CL-4	Flex hose 4" x 18"	55	800477	Vacuum Tube Bracket
11	800343	Turbofan manifold	56	CB-2221	Carriage Bolt 3/8-16 x 1 1/2
12	P150CL-4	Flex hose 4" x 36"	57	CB-1103	Carriage Bolt 5/16-18 x 3/4
13	900417.39	Vacuum tube length 39"	58	N-1101	Nylock 5/16-18
	900417.48	Vacuum tube length 39"			
	900417.58	Vacuum tube length 39"			
14	H-3220	Hex bolt 3/8-16 x 2 1/2			
15	N-2101	Nylock 3/8-16			
16	H-3120	Hex bolt 3/8-16 x 1 1/2			
17	800203	Backing plate			
18	800201	Tube plate			
19	800312	Mount vacuum gauge			
20	800252	Support plate			
21	800253	Spacer ring plate			
22	HM-2830	Hex bolt M8 - 1.25 x 30			
23	H-6951	Hex bolt 3/4-10 x 9 1/2			
24	W-6610	Lockwasher 3/4			
25	N-6001	Hex nut 3/4-10			
26	O302-591	Upper hitch pin			
	O104-022	Cotter pin			
27	H-6551	Hex bolt 3/4-10 x 5 1/2			
28	W-6610	Lockwasher 3/4 YZ			
29	N-6001	Hex nut 3/4-10			
30	H-7351	Hex bolt 1" - 8 x 3 1/2			
31	N-8002	Nylock 1" - 8			
32	H-6751	Hex bolt 3/4-10 x 7 1/2			
33	O337-218	Angle clamp			
34	800243	Angle clamp			
35	O637-000	Jackstand w/bolts			
36	800434.G	Gasket for 5 x 7 Endplate			
37	800434	5 x 7 Endplate			
38	H-4201	Hex bolt 1/2- 13 x 2			
39	N-4101	Nylock 1/2-13			
40	O301-951	Tie back			
41	900398	Turbofan mount EHO R.H.			
42	900399	Turbofan mount EHO L.H.			
43	4502.SA	U-Bolt 7 x 7 x 3/4-10			
44	F37190	Nylock 3/4-10			
45	800276	Hitch center spacer			

This is a downloadable version of the manual. A partial download may not contain all pertinent information. Make Sure to read Chapter 1, Safety!
Due to ongoing upgrades specifications may change without notice, contact a Monosem Rep for current information.

TABLE OF CONTENTS

1. SAFETY

2. PREPARATION

3. FRAME

4. TRANSMISSION

5. DRIVE

6. ROW UNIT

7. OPTIONAL EQUIPMENT

This is a downloadable version of the manual. A partial download may not contain all pertinent information. Make Sure to read Chapter 1, Safety!
Due to ongoing upgrades specifications may change without notice, contact a Monosem Rep for current information.

TRANSMISSION

7" x 7" 3pt Mounted and Stacking Toolbar Frame

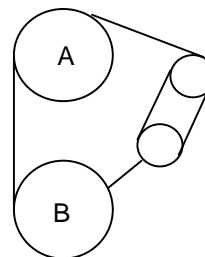
PLANTING RATE CHART

3pt Mounted & Stacking Planters

The following planting distances were obtained with standard assembly and sprocket system. Additional settings are possible by using different combinations or special sprockets. Please consult us in case you have such special requirements.

Important: Poor alignment of the sprockets of the seed spacing gearbox and stiffness of the chain will cause premature side wear on the pinions. Make sure the chains are tight and properly lubricated, and the tires are properly inflated.

The indicated spacings are theoretical and may vary from 5-10% depending on soil conditions.



SOWING DISTANCES

Number of
Holes in the Transmission sprocket selection
Seed Disc

	A	26	24	23	26	24	23	24	23	19	19	17	18	19	17	18	17	14	14	14
	B	17	17	19	23	23	24	26	26	23	24	23	26	28	26	28	28	24	26	28
		Seed Spacing (inches)																		
9		7.9	8.6	10.0	10.7	11.6	12.7	13.1	13.7	14.7	15.3	16.4	17.5	17.9	18.6	18.9	20.0	20.8	22.5	24.3
12		6.0	6.4	7.5	8.1	8.7	9.5	9.9	10.3	11.0	11.5	12.3	13.1	13.4	13.9	14.2	15.0	15.6	16.9	18.2
18		4.0	4.3	5.0	5.4	5.8	6.3	6.6	6.9	7.3	7.7	8.2	8.8	8.9	9.3	9.4	10.0	10.4	11.3	12.1
24		3.0	3.2	3.8	4.0	4.4	4.7	4.9	5.1	5.5	5.7	6.2	6.6	6.7	7.0	7.1	7.5	7.8	8.5	9.1
30		2.4	2.6	3.0	3.2	3.5	3.8	3.9	4.1	4.4	4.6	4.9	5.3	5.4	5.6	5.7	6.0	6.2	6.8	7.3
36		2.0	2.1	2.5	2.7	2.9	3.2	3.3	3.4	3.7	3.8	4.1	4.4	4.5	4.6	4.7	5.0	5.2	5.6	6.1
40		1.8	1.9	2.3	2.4	2.6	2.8	3.0	3.1	3.3	3.4	3.7	3.9	4.0	4.2	4.2	4.5	4.7	5.1	5.5
48		1.5	1.6	1.9	2.0	2.2	2.4	2.5	2.6	2.8	2.9	3.1	3.3	3.4	3.5	3.5	3.7	3.9	4.2	4.6
60		1.2	1.3	1.5	1.6	1.7	1.9	2.0	2.1	2.2	2.3	2.5	2.6	2.7	2.8	2.8	3.0	3.1	3.4	3.6
72		1.0	1.1	1.3	1.3	1.5	1.6	1.6	1.7	1.8	1.9	2.1	2.2	2.2	2.3	2.4	2.5	2.6	2.8	3.0
90		0.79	0.86	1.00	1.07	1.16	1.27	1.31	1.37	1.47	1.53	1.64	1.75	1.79	1.86	1.89	2.00	2.08	2.25	2.43
120		0.60	0.64	0.75	0.81	0.87	0.95	0.99	1.03	1.10	1.15	1.23	1.31	1.34	1.39	1.42	1.50	1.56	1.69	1.82

TRANSMISSION

7" x 7" 3pt Mounted & Stacking Toolbar Frame

**SINGLE ROW
 DENSITIES – SEED POPULATION CHART**

AVERAGE

**SEED
 SPACING**

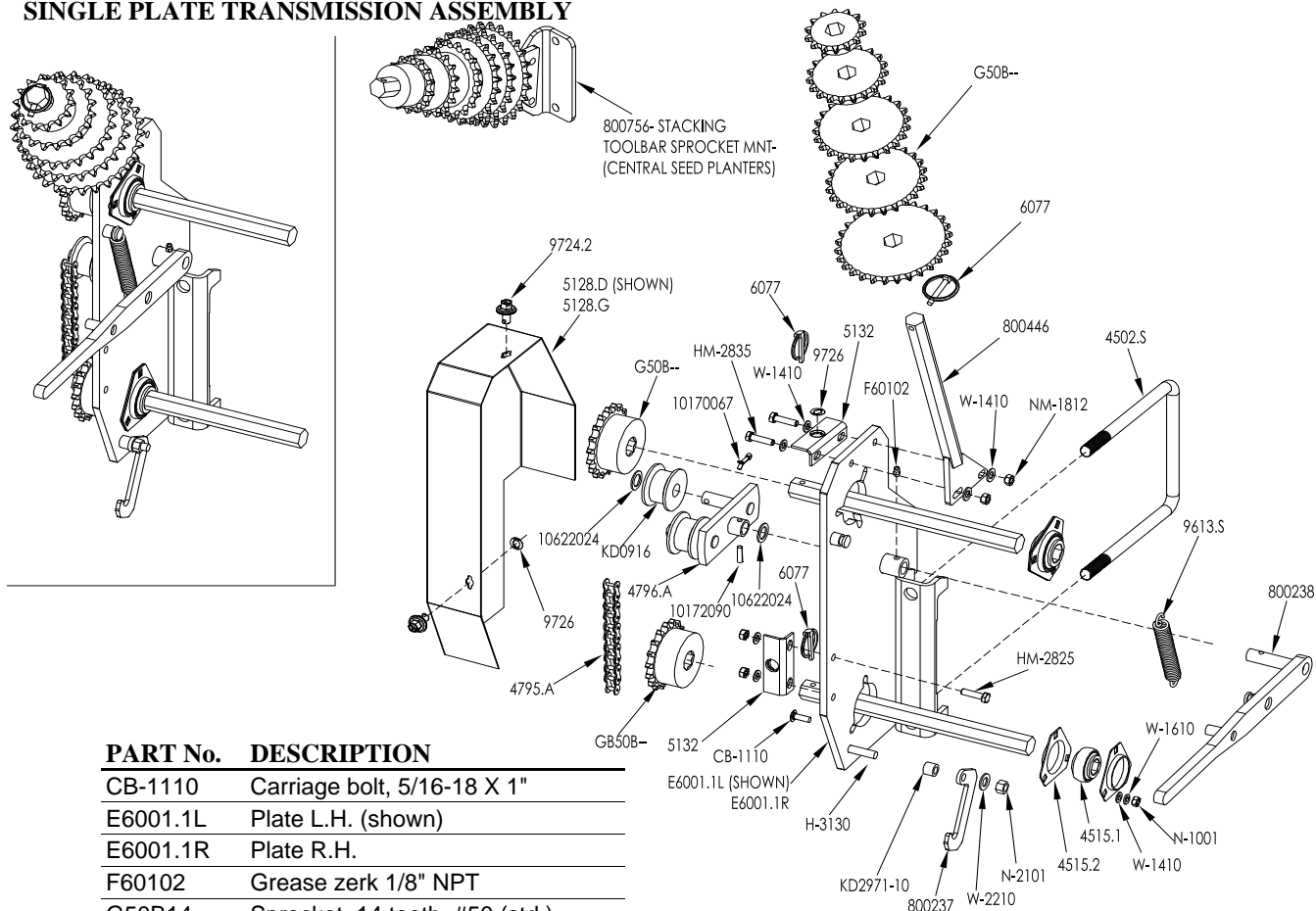
ROW SPACING

	10"	22"	26"	30"	34"	36"	38"	40"
1"	627,600	285,200	241,200	209,200	184,400	174,400	165,000	156,800
2"	313,800	142,600	120,600	104,600	92,200	87,200	82,500	78,400
2 3/4"	228,000	103,600	87,800	76,000	67,000	63,400	60,000	57,000
3 1/4"	193,200	87,800	74,200	64,400	56,800	53,600	50,800	48,200
3 1/2"	180,300	81,900	69,300	60,100	53,000	50,000	47,400	45,000
3 3/4"	167,400	76,034	64,300	55,800	49,200	46,500	44,000	41,800
4"	156,900	71,300	60,300	52,300	46,100	43,600	41,250	39,200
4 1/4"	147,600	67,000	56,800	49,200	43,400	41,000	38,800	36,900
4 1/2"	139,500	63,400	53,600	46,500	41,000	38,700	36,700	34,850
5"	125,400	57,000	48,250	41,800	36,900	34,850	33,000	31,400
5 1/2"	114,000	51,800	43,900	38,000	33,500	31,700	30,000	28,500
6"	104,550	47,500	40,200	34,850	30,750	29,000	27,500	26,100
6 1/2"	96,600	43,900	37,100	32,200	28,400	26,800	25,400	24,100
7"	90,150	40,950	34,650	30,050	26,500	25,000	23,700	22,500
7 1/2"	83,700	38,000	32,200	27,900	24,600	23,200	22,000	20,900
8"	78,750	35,750	30,300	26,250	23,150	21,850	20,700	19,675
8 1/2"	73,800	33,500	28,400	24,600	21,700	20,500	19,400	18,450
9"	69,900	31,750	26,900	23,300	20,550	19,425	18,387	17,475
9 1/2"	66,000	30,000	25,400	22,000	19,400	18,350	17,375	16,500
10"	62,850	28,575	24,200	20,950	18,475	17,475	16,537	15,725
10 1/2"	59,700	27,150	23,000	19,900	17,550	16,600	15,700	14,950
11 1/2"	54,600	24,800	21,000	18,200	16,050	15,150	14,350	13,650
12"	52,275	23,750	20,100	17,425	15,375	14,500	13,750	13,050
13"	48,300	21,950	18,550	16,100	14,200	13,400	12,700	12,050
13 1/2"	46,689	21,213	19,163	15,563	13,725	12,950	12,275	11,650
14 1/2"	43,464	20,475	17,938	14,488	12,775	12,050	11,425	10,850

TRANSMISSION

7" x 7" 3pt Mounted and Stacking Toolbar Frame

SINGLE PLATE TRANSMISSION ASSEMBLY



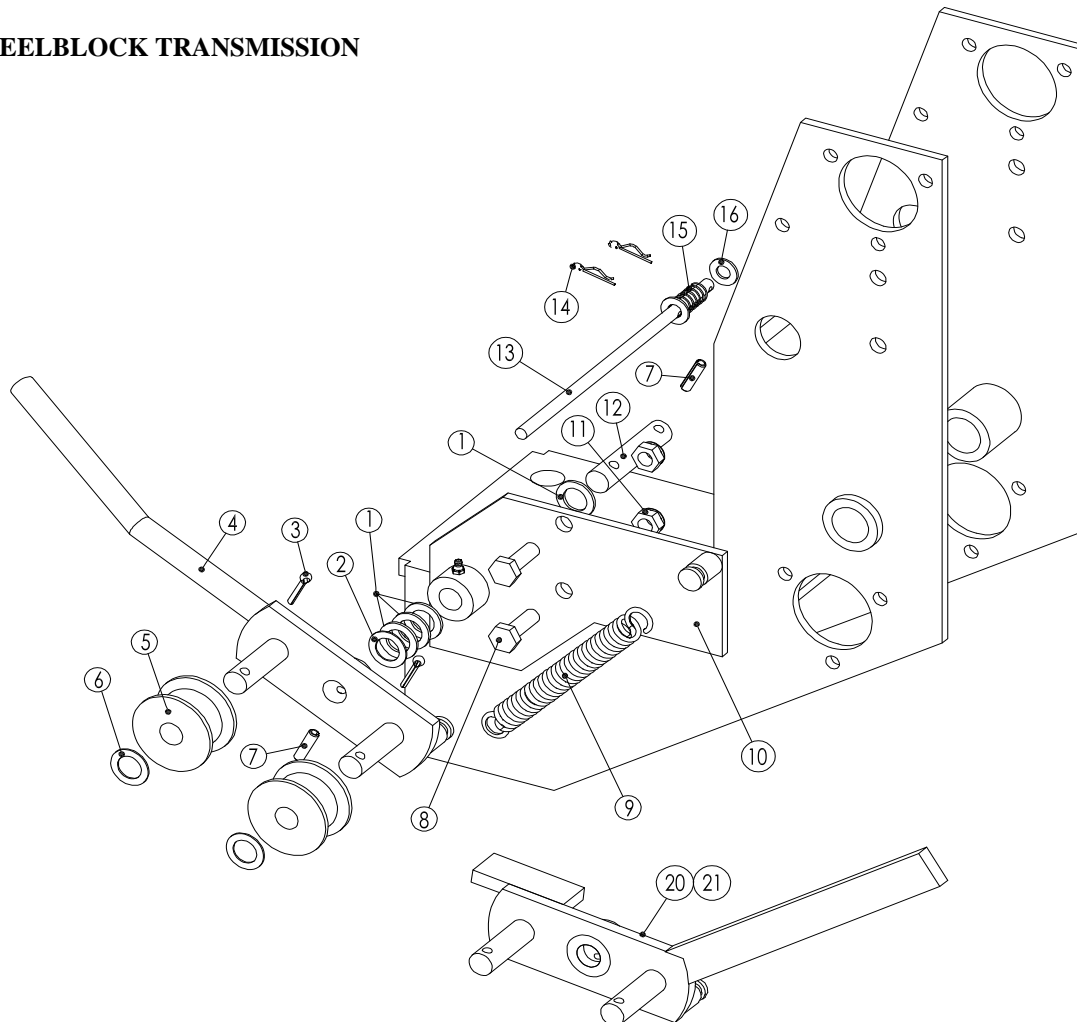
PART No.	DESCRIPTION
CB-1110	Carriage bolt, 5/16-18 X 1"
E6001.1L	Plate L.H. (shown)
E6001.1R	Plate R.H.
F60102	Grease zerk 1/8" NPT
G50B14	Sprocket, 14 tooth, #50 (std.)
G50B15	Sprocket, 15 tooth, #50
G50B17	Sprocket, 17 tooth, #50 (std.)
G50B18	Sprocket, 18 tooth, #50
G50B19	Sprocket, 19 tooth, #50 (std.)
G50B21	Sprocket, 21 tooth, #50
G50B23	Sprocket, 23 tooth, #50 (std.)
G50B24	Sprocket, 24 tooth, #50 (std.)
G50B25	Sprocket, 25 tooth, #50
G50B26	Sprocket, 26 tooth, #50 (std.)
G50B27	Sprocket, 27 tooth, #50
G50B28	Sprocket, 28 tooth, #50 (std.)
G50B30	Sprocket, 30 tooth, #50
H-3130	Hex bolt 3/8-16 X 1 3/4"
HM-2825	Hex Bolt 8x25mm
HM-2835	Hex Bolt 8x35mm
KD0916	Idler roller
KD2971-10	Bushing
N-1001	5/16 Hex nut
N-2101	Nylock nut 3/8"
NM-1812	Nylock 8mm
W-1410	Washer, 5/16" SAE
W-1610	Lock washer, 5/16"

PART No.	DESCRIPTION
W-2210	Washer, 3/8" USS
4795.A	Chain #50 X 72 pitch
4796.A	Idler bracket
4502.S	U-Bolt 7x7x 5/8"-11
4515.1	Bearing only (205KRRB2)
4515.2	Flangette only (2 req'd)
5128.D	Shield Trans Right
5128.G	Shield Trans Left
5132	Receiving Bracket for Camloc
6077	Lynch pin M6
800237	Hook
800238	Handle
800446	Storage rod for sprockets
800756	Storage rod Mount
9613.S	Spring
9724.2	Camloc for Trans. Shield
9726	Retaining Washer for Camloc
10622024	Washer M16.5 X 26 X 1
10170067	Cotter pin M5 X 40
10172090	Roll pin M6 X 25

TRANSMISSION

7" x 7" Stacker Bar

WHEELBLOCK TRANSMISSION



ITEM	PART No.	DESCRIPTION
1	10622026	Washer 16.5x26x2mm
2	10622024	Washer 16.5x26x1mm
3	10170032	Cotter pin M3.5x30
4	E3097	Idler arm
5	KD0916	Chain roller
6	10622024	Washer 16.5x26x1mm
7	10172090	Roll pin M6x25
8	HM-41030	Hex bolt M10x30
9	4334	Spring
10	E3096.L	Transmission plate (shown)
	E3096.R	Transmission plate
11	NM-21015	Hex nut M10
12	800160	Pin
13	E3095	Safety pin
14	K10670	Hairpin clip
15	5681.B	Spring
16	10620069	Washer 8.5x20x1.5mm
17	4793.A	Storage rod
18	6077	Lynch pin 1/4"

ITEM	PART No.	DESCRIPTION
19	G50B14	Sprocket, 14 tooth, #50 (std.)
	G50B15	Sprocket, 15 tooth, #50
	G50B17	Sprocket, 17 tooth, #50 (std.)
	G50B18	Sprocket, 18 tooth, #50
	G50B19	Sprocket, 19 tooth, #50 (std.)
	G50B21	Sprocket, 21 tooth, #50
	G50B23	Sprocket, 23 tooth, #50 (std.)
	G50B24	Sprocket, 24 tooth, #50 (std.)
	G50B25	Sprocket, 25 tooth, #50
	G50B26	Sprocket, 26 tooth, #50 (std.)
	G50B27	Sprocket, 27 tooth, #50
	G50B28	Sprocket, 28 tooth, #50 (std.)
	G50B30	Sprocket, 30 tooth, #50
	E3098.L	L.H. ASSEMBLY
	E3098.R	R.H. ASSEMBLY
20	200169	Idler arm Left- Stacking Toolbar
21	200170	Idler arm Right- Stacking Toolbar

This is a downloadable version of the manual. A partial download may not contain all pertinent information. Make Sure to read Chapter 1, Safety!
Due to ongoing upgrades specifications may change without notice, contact a Monosem Rep for current information.

TABLE OF CONTENTS

1. SAFETY

2. PREPARATION

3. FRAME

4. TRANSMISSION

5. DRIVE

6. ROW UNIT

7. OPTIONAL EQUIPMENT

This is a downloadable version of the manual. A partial download may not contain all pertinent information. Make Sure to read Chapter 1, Safety!
Due to ongoing upgrades specifications may change without notice, contact a Monosem Rep for current information.

DRIVE

**STANDARD Turbofan
540, 450 & 1000 RPM with PTO Drive**

Your Monosem planter will be equipped with either a 540, 450 or 1000 rpm turbofan. A special pump pulley is available as optional equipment for the 450 and 540 turbofans. It is recommended to use a 450 rpm turbofan when using a hydraulic drive.


The vacuum hose is attached to the outlets on the back of the turbofan and delivers suction to the metering box of each unit. An arrow sticker on the back of the turbofan indicates that the turbofan blade runs in a counter clockwise direction. A protection shield against the rain is located at the top of the turbofan, and when in a raised position, indicates that the turbofan is operating.

Note: Before planting, make sure that the support brackets are tight to eliminate any vibrations of the turbofan. A vacuum gauge may also be mounted to the frame.




PTO (Power Take Off)

The PTO connects the tractor to the turbofan.

 Make sure you connect the proper end of the PTO to the tractor. An arrow on the PTO indicates the end that is attached to the tractor.

The following warning is placed on your PTO shaft for your safety.

 **DANGER** Rotating drive line contact can cause death – keep away. Do not operate without all driveline, tractor and equipment shields in place, without drivelines securely attached at both ends, and without driveline shields that turn freely on driveline.



Vacuum gauge



DRIVE

**HIGH Output Turbofan
500 & 1000 RPM**

The high output turbofan provides more air than the standard turbofan. The high output turbofan is to be used when the planter is 8 rows or more and when planting heavy seed such as beans.

When using a hydraulic drive, a 500-rpm high output turbofan should be used instead of a 1000-rpm high output turbofan.

An extended shaft (#4405.A2) is used for planters with 7" X 7" mounted toolbar frames and PTO drive, to provide more room for the PTO.

The vacuum hose is attached to the outlets on the front of the turbofan and deliver suction to the metering box of each unit. An arrow decal sticker on the turbofan indicates the direction that the turbofan blade runs, which is counter clockwise. A shield to protect the turbofan from the rain is located at the top of the turbofan, and when in a raised position, indicates that the turbofan is operating.

Note: Before planting, make sure that the support straps (1) are tight to eliminate any vibrations of the turbofan.

You can mount a vacuum gauge to the turbofan.

**EXTRA HIGH Output Turbofan
540 & 1000 RPM**

The extra high output turbofan was designed to provide more volume of air than the standard or high output turbofan. The extra high output turbofan is most often used with planters of 16 rows or more.

The extra high output turbofan can be used with either a PTO or a hydraulic motor. When using a PTO, this turbofan requires a PTO with an overrunning clutch. When using a hydraulic motor, this turbofan requires a larger motor.

The vacuum hose is attached to the outlets on the front of the turbofan and deliver suction to the metering box of each unit. An arrow decal sticker on the turbofan indicates the direction that the turbofan blade runs, which is counter clockwise. A shield to protect the turbofan from the rain is located at the top of the turbofan, and when in a raised position, indicates that the turbofan is operating.

You can mount a vacuum gauge to the turbofan.

PTO Drive



(Power Take Off)

The PTO connects the tractor to the turbofan.

Make sure you connect the proper end of the PTO to the tractor. An arrow on the PTO indicates the end that is attached to the tractor.

The following warning is placed on your PTO shaft for your safety. (part # ST057)



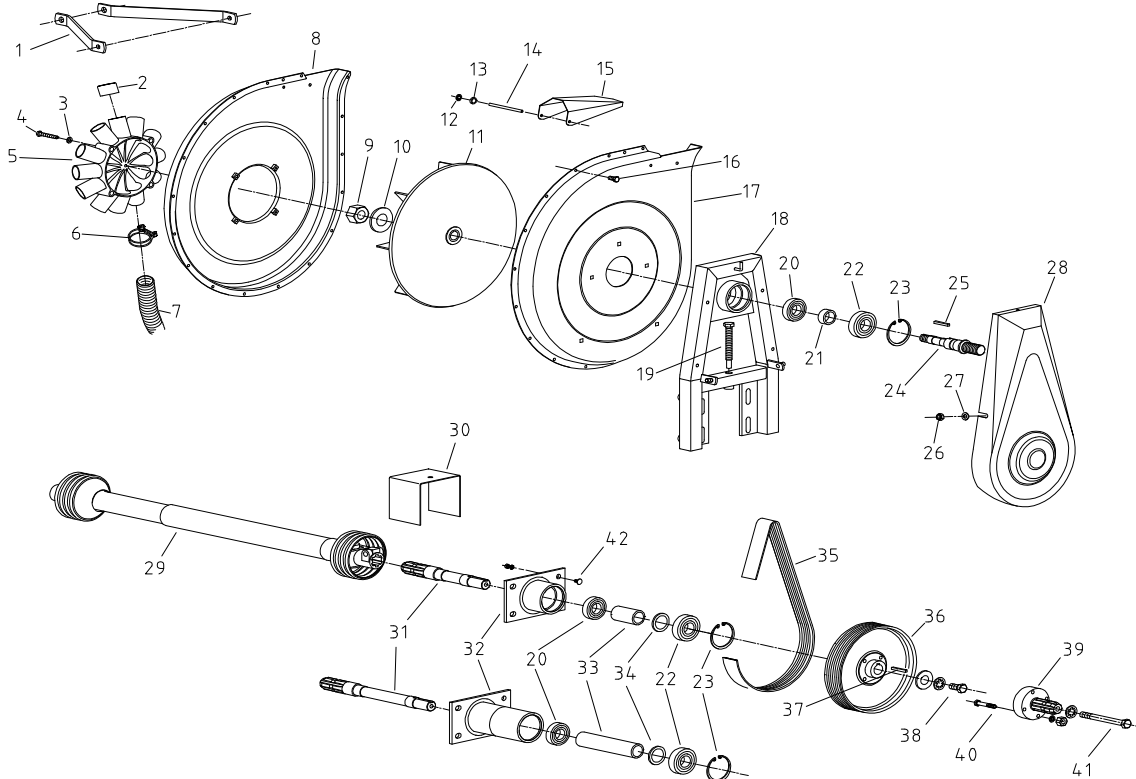
DANGER
Rotating drive line contact can cause death – keep away. Do not operate without all driveline, tractor and equipment shields in place, without drivelines securely attached at both ends, and without driveline shields that turn freely on driveline.



DRIVE

Standard Turbofan 540, 450 and 1000 rpm with PTO drive

ASSEMBLY



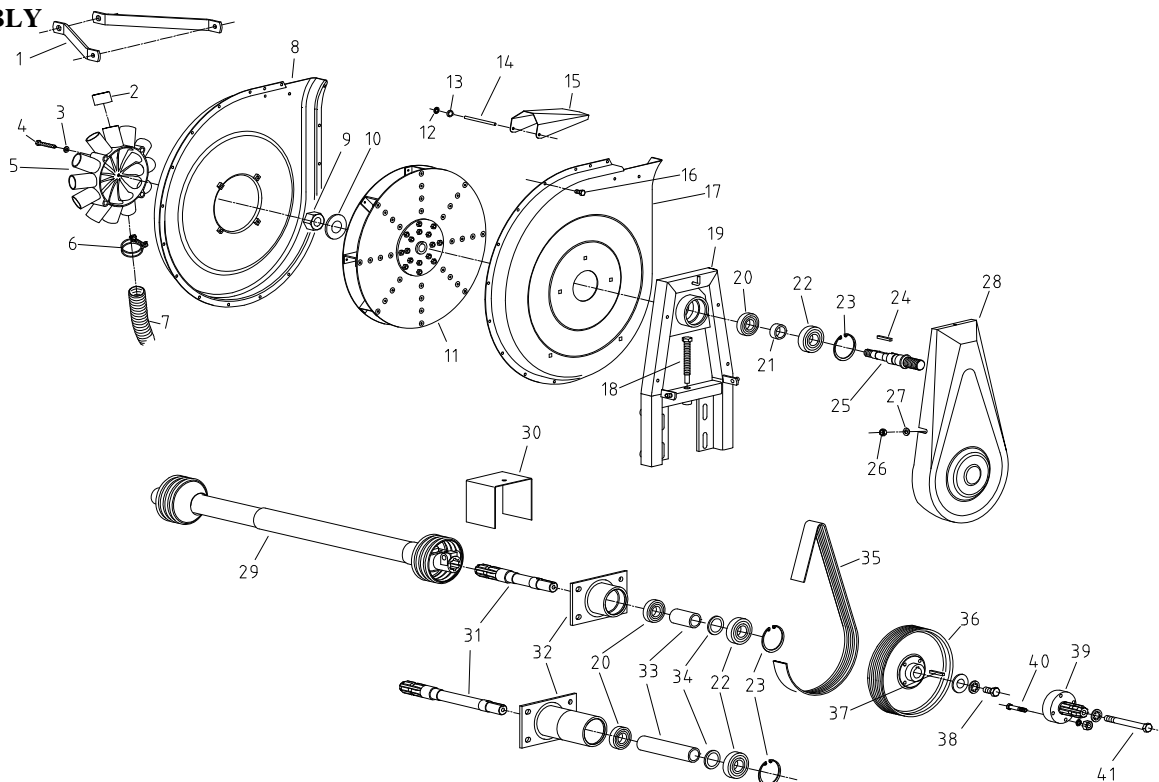
ITEM	PART No.	DESCRIPTION
1	4532	Support strap - 565mm long (22 1/4")
	4532.1	Support strap - 340mm long (13 3/8")
	4532.2	Support strap - 480mm long (18 7/8")
2	4451	Plastic cap
3	10620064	Washer 8.5x16x2mm
4	10511062	Bolt, 8x55mm (to secure manifold)
5	4450	12-Hole manifold
6	4453	Hose clamp
7	4454	Vacuum hose 40mm (specify length req.d)
8	4402.B	Fan housing manifold side
9	NM-72005	Nylon lock nut 20mm (to secure fan blade)
10	10623042	Washer 22.5x48x3mm (on upper shaft)
11	4403.B	Fan blade (plastic, 16 1/8" dia.)
12	6090	Snap ring 6mm
13	6089	Rubber ring
14	4455	Pin for outlet shield
15	4429.A	Outlet shield
16	10500091	Hex bolt 6x12mm
17	4401.B	Fan housing (support frame side)
18	4400.1	Support frame
19	4440	Special bolt tension adjustment
20	4407	Bearing 62mm (62062RS)
21	4410.A	Spacer upper shaft
22	4408	Bearing 72mm (63062RS)
23	4409	Snap ring internal 72mm
24	4452	Upper shaft, 540 & 1000 rpm (1 1/8" dia. pulley)
	4452.1	Upper shaft, 450 rpm (7/8" dia. pulley)
25	4439.A	Key upper shaft (6x6x45mm)
26	NM-21015	Lock nut 10mm
27	10620089	Washer 10.5x20x2mm
28	4414.2	Cover shield for belt

ITEM	PART No.	DESCRIPTION
28	4414.2	Cover shield (with optional pump pulley)
29	4428.B	PTO drive shaft 540rpm 24"
	4428.B21	PTO drive shaft 1000rpm 24"
	4431.B	PTO drive shaft 540rpm 36"
	4431.B21	PTO drive shaft 1000rpm 36"
	4432.B	PTO drive shaft 540rpm 54" - Pull-Type only
	4432.B21	PTO drive shaft 1000rpm 54" - Pull-Type only
	900058	PTO drive shaft pull type with 20 splines 54" - Pull-Type only
30	4434.4	Safety shield
31	4405.A	Lower shaft (1 3/8" 6 spline adapter)
	4405.A2	Lower shaft extended 7X7 PTO
32	4404	Shaft housing (lower drive shaft)
	4404.3	Shaft housing extended 7X7 PTO
33	4411	Spacer lower shaft
	4411.2	Spacer extended 7X7 PTO
34	10624018	Washer 31x41x3mm
35	4413	Belt, 450 & 540 rpm (PJ1168/460J or 460J19)
	4413.1	Belt 1000 rpm (PJ955/376J)
36	4412.2	Pulley, 450 & 540rpm (9 13/16" dia.)
	4412.3	Pulley, 1000 rpm (5 5/16" dia.)
37	4437	Key lower shaft (8x7x40mm)
38	HM-61230	Bolt, 12x30mm (to secure pulley)
	10621061	Washer 13x40x4mm (to secure pulley)
39	4426	Pump pulley (6 spline stub shaft)
40	HM-2850	Bolt, 8x50mm
	10629009	Lock washer 8x14mm
41	HM-65110	Bolt, 12x110mm
	10101012	Lock washer 12x20mm
42	CB-3322	Carriage bolt 7/16-14 x 2"
	W-3610	Lock washer 7/16"
5. 3	N-3000	Hex nut 7/16-14

DRIVE

**High Output Turbofan 500 1000 rpm
With PTO drive**

ASSEMBLY



ITEM PART No. DESCRIPTION

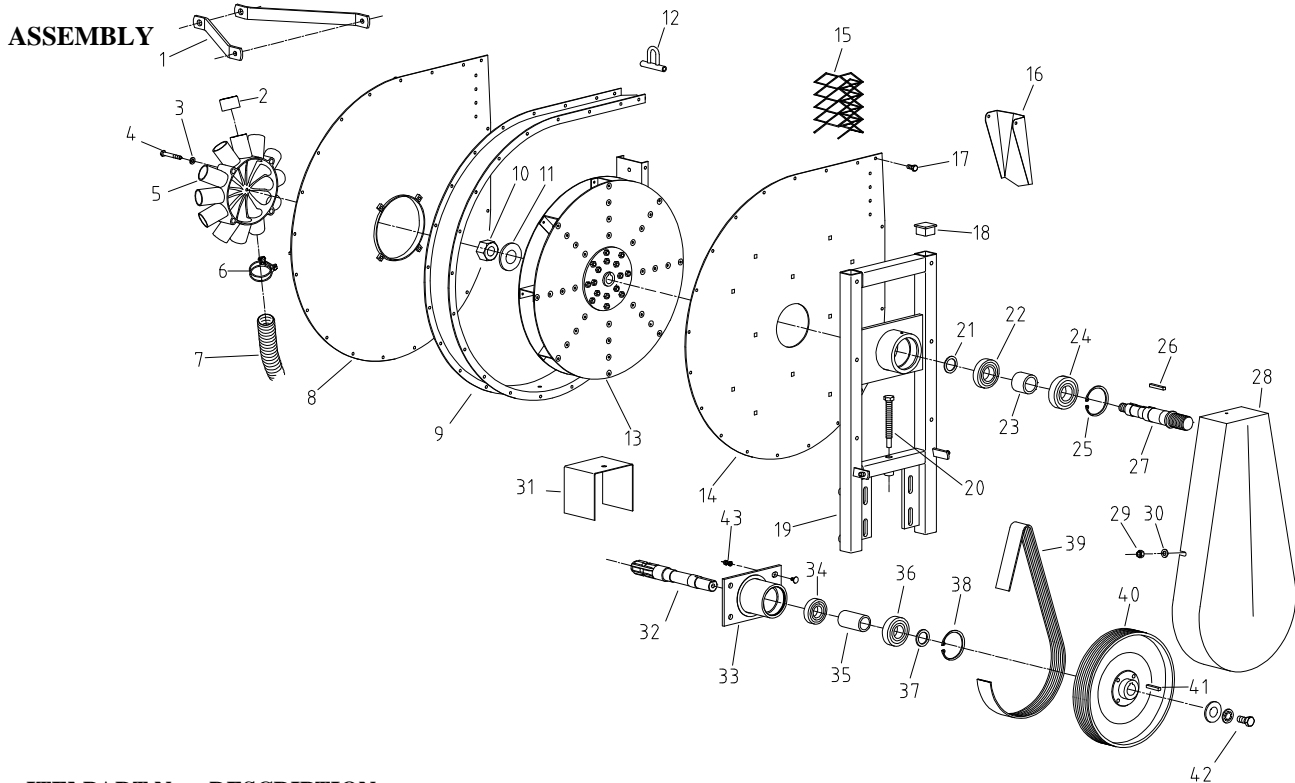
1	4532	Support strap – 565mm long (22 1/4")
	4532.1	Support strap – 340mm long (13 3/8")
	4532.2	Support strap – 480mm long (18 7/8")
2	4451	Plastic cap
3	10620064	Washer 8.5x16x2mm
4	10511062	Bolt, M8x55 (to secure manifold)
5	4450	12-hole manifold
6	4453	Hose clamp
7	4454	Vacuum hose 40mm ID (specify length)
8	4402.C	Fan Housing, (manifold Side)
9	NM-72005	Lock nut, M20 (to secure fan blade)
10	10623042	Washer, 22.5x48x3mm
11	4403.D	Fan Blade (aluminum, 17 3/4" Dia.)
12	6090	Snap ring (6mm)
13	6089	Rubber ring
14	4455	Pin for outlet shield
15	4429.A	Outlet shield
16	10500091	Hex bolt M6x12
17	4401.B	Fan Housing, (support frame side)
18	4440	Belt tension adjustment bolt
19	4400.1A	Support Frame
20	4407	Bearing 62mm (62062RS)
21	4410.A	Spacer bushing (upper shaft)
22	4408	Bearing 72mm (63062RS)
23	4409	Snap ring, internal (72mm)
24	4439.A	Key stock for upper shaft (6x6x45mm)
25	4452.B	Upper shaft (1 1/8" Dia. Pulley)
26	NM-21015	Lock nut M10
27	10620089	Washer 10.5x20x2mm

ITEM PART No. DESCRIPTION

28	4414.1A	Cover shield for belt
29	4428.B	PTO drive shaft 540 rpm, 24" long
	4431.B	PTO drive shaft 540 rpm, 36" long
	900057	PTO drive shaft HD 1000 rpm 20 spline
30	4434.3	Safety shield
31	4405.A	Lower shaft (1 3/8" 6-spline)
	4405.A2	Extended shaft 7X7 toolbar w/PTO
32	4404.A	Shaft Housing (lower drive shaft)
	4404.3	Extended housing 7X7 toolbar w/PTO
33	4411	Spacer bushing (lower shaft)
	4411.2	Long bushing 7X7 toolbar w/PTO
34	10624018	Washer, 31x41x3mm
35	4413.B	Belt, 500 rpm (1244J25)
	4413.1B	Belt, 1000 rpm (991J25)
36	4412.B	Pulley, 500 rpm (11 3/8" Dia.)
	4412.1B	Pulley, 1000 rpm (5 7/8" Dia.)
37	4437	Key stock for lower shaft (8x7x40mm)
38	HM-61230	Bolt, M12x30 (to secure pulley)
	10621061	Washer, 13x40x4mm (to secure pulley)
	10101012	External tooth lock washer (12x20mm)
39	4426	Pump pulley (6 spline stub shaft)
40	HM-2850	Bolt M8x50
	10629009	External tooth lock washer (8x14mm)
41	HM-65110	Bolt, M12x110
	10101012	External tooth lock washer (12x20mm)

DRIVE

**Extra High Output Turbofan 540 & 1000 RPM
With PTO Drive**



ITEMPART No. DESCRIPTION

1	4532.2	Turbofan support strap - 480mm long (18 7/8")
2	4451	Plastic cap, 40mm
3	10620064	Washer 8.5x16x2mm
4	10511062	Hex bolt M8x55
5	4450	12 hole manifold
6	4453	Hose clamp
7	4454	Vacuum hose (40mm ID, specify length)
8	4242	Fan housing (manifold side)
9	4243	Fan housing sidewall
10	NM-72005	Nylon locknut, 20mm (to secure fan blade)
11	10623042	Washer 22.5x48x3mm
12	4253	Support eye
13	4244.co	Fan blade, aluminium 19 5/8" dia.
14	4241	Fan housing (support frame side)
15	4254	Screen
16	4429.a	Outlet shield
17	10500091	Hex bolt M6x12
18	9525	End cap
19	4240	Support frame
20	4440	Bolt to adjust belt tension
21	10624016	Washer, 31x41x2mm (on upper shaft)
22	4251	Bearing upper shaft (62072RS1)
23	4247	Spacer bushing (upper shaft)
24	4252	Bearing upper shaft (63072RS1)

ITEMPART No. DESCRIPTION

25	4246	Snapping, internal (80mm)
26	4439.A	Key stock for upper shaft (6x6x45mm)
27	4248.1	Upper shaft, 25 grooves (35mm O.D.)
28	4250	Cover shield for belt
29	NM-21015	Lock nut M10
30	1062089	Washer 10.5x20x2mm
31	4434.3	Safety shield
32	4405.a	Lower shaft (w/1 3/8" 6 spline adapter)
33	4404.a	Shaft housing (lower drive shaft)
34	4407	Bearing 62mm (62062RS)
35	4411	Spacer bushing (lower shaft)
36	4408	Bearing 72mm (63062RS)
37	10624018	Washer, 31x41x3mm (on lower shaft)
38	4409	Snapping, internal (72mm)
39	4249.2	Belt, 540 rpm 25 grooves (1335J25)
	4249.3	Belt, 1000 rpm 25 grooves
40	4412.B	Lower pulley, 540 rpm 25 grooves (290mm)
	4412.1B	Lower pulley, 1000 rpm 25 grooves (150mm)
41	4437	Key stock for lower shaft (8x7x40mm)
42	HM-61230	Hex bolt M12x30
	10621061	Washer 13x40x4mm
	10101012	Lock washer 12x20mm

DRIVE

Vacuum Gauge - Standard for Hydraulic Drive, Optional for PTO Drive

VACUUM GAUGE SETTINGS

The hydraulic drive is equipped with a vacuum gauge that allows you to read the vacuum level of the turbofan. The vacuum level should be set depending on the weight and size of the seed to be planted. Vacuum gauge settings for the hydraulic drive are shown below in inches of water column. This is a guideline for small, medium and large seed.

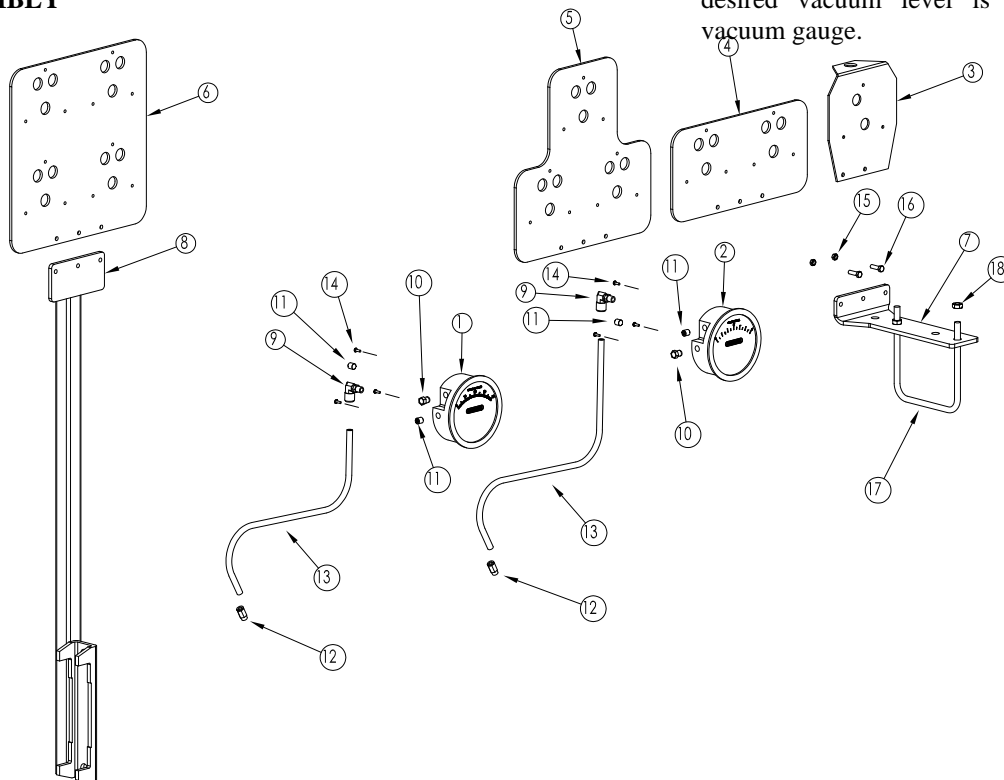
Small (Sugarbeet/Pickle)	15"-20"
Medium (Corn)	20"-25"
Large (Beans/Peanut)	25"-30"

To set the vacuum level:

It is not necessary to have to reset vacuum levels daily. Vacuum levels will be slightly lower during tractor and pump start-up.

1. Use the recommended vacuum settings above, or consult your dealer.
2. Push tractor lever/switch to start oil flow to hydraulically driven turbofan and let oil warm up.
3. With some seed in the hoppers, turn drive wheels by hand or lower planter to engage drive wheels and drive forward a short distance to fill cells on seed discs with seed. This will result in a more accurate setting of the vacuum.
4. Re-adjust the oil flow, if necessary, until the desired vacuum level is obtained on the vacuum gauge.

ASSEMBLY



ITEM No.	PART No.	DESCRIPTION
1	D2040	Vacuum gauge
2	900389	Pressure gauge
3	M30050070	Mounting plate single
4	800187	Mounting plate double
5	800148	Mounting plate triple
6	800149	Mounting plate quadruple
7	800311	Panel mount mounted pltr.
8	80036	Panel mount pull type pltr.
9	J69PPS-4-2	Swivel elbow fitting
10	D200108-00	Filter vent plug

ITEM No.	PART No.	DESCRIPTION
11	A-330	Pipe plug 1/8" NPT
12	J68PP-4-2	Swivel fitting
13	JPT04	Tubing 1/4"
14	F27295	Screw 6-32 x 3/8"
15	NM-0605	Nylon lock nut, 6mm
16	HM-0620	Bolt 6 x 20 mm
17	4647.SS	U-bolt 5"x5"x3/8"-16
	4647.S	U-bolt 7"x7"x3/8"-16
	900240	U-bolt 5"x7"x3/8"-16
18	N-2100	Nylon lock nut 3/8 -16

DRIVE

Hydraulic Drive

Optional for 450 Standard, 500 High Output, or 540 Extra High Output Turbofans

The hydraulic drive is optional for the 450 Standard turbofan, the 500 High Output turbofan and the 540 Extra High Output turbofan. The hydraulic drive attaches to the turbofan to produce and maintain the vacuum level.

The desired vacuum is dependent on the correct amount of oil flow to the hydraulic motor.

Starving the motor of oil will cause the vacuum to drop.

An excessive amount of oil flowing into the motor can result in damage to the motor or the fan blade.

When attempting to shut off the turbofan, the blade must be allowed to "wind down" slowly. If the flow of oil stops abruptly, the bypass block on the motor will recirculate the oil already in the motor helping to prevent damage to the blade and motor. Still, you should not allow the flow of oil to stop suddenly. This is accomplished with the tractor hydraulic controls. Refer to your tractor operator manual for further information.

You can control oil flow to the motor in one of two ways:

1. With a flow control valve that is optional for the hydraulic motor
2. With the tractor hydraulic system controls.

If your tractor has flow control capabilities, then it is recommended that you use this method and remove the in-line flow control valve. Failure to do this will cause the hydraulic oil to overheat, damaging the motor.

Oil requirements are as follows:

Regular & high output turbofans: 6-7 gal/ minute

Extra high output turbofans: 7-8 gal/minute

NOTE: Check the labeling on your turbofan to determine if you have a standard, high output or extra high output turbofan. As a general rule, planters with 8-15 rows have a high output turbofan, 16-rows and larger use an extra high output turbofan.



HYDRAULIC SYSTEM SAFETY

DANGER. Before applying pressure to the hydraulic system, check that all connections are tight and that the hoses and fittings have not been damaged. Hydraulic fluid escaping under pressure can penetrate the skin causing serious injury. If injured by escaping hydraulic fluid see a doctor at once. Gangrene can result.

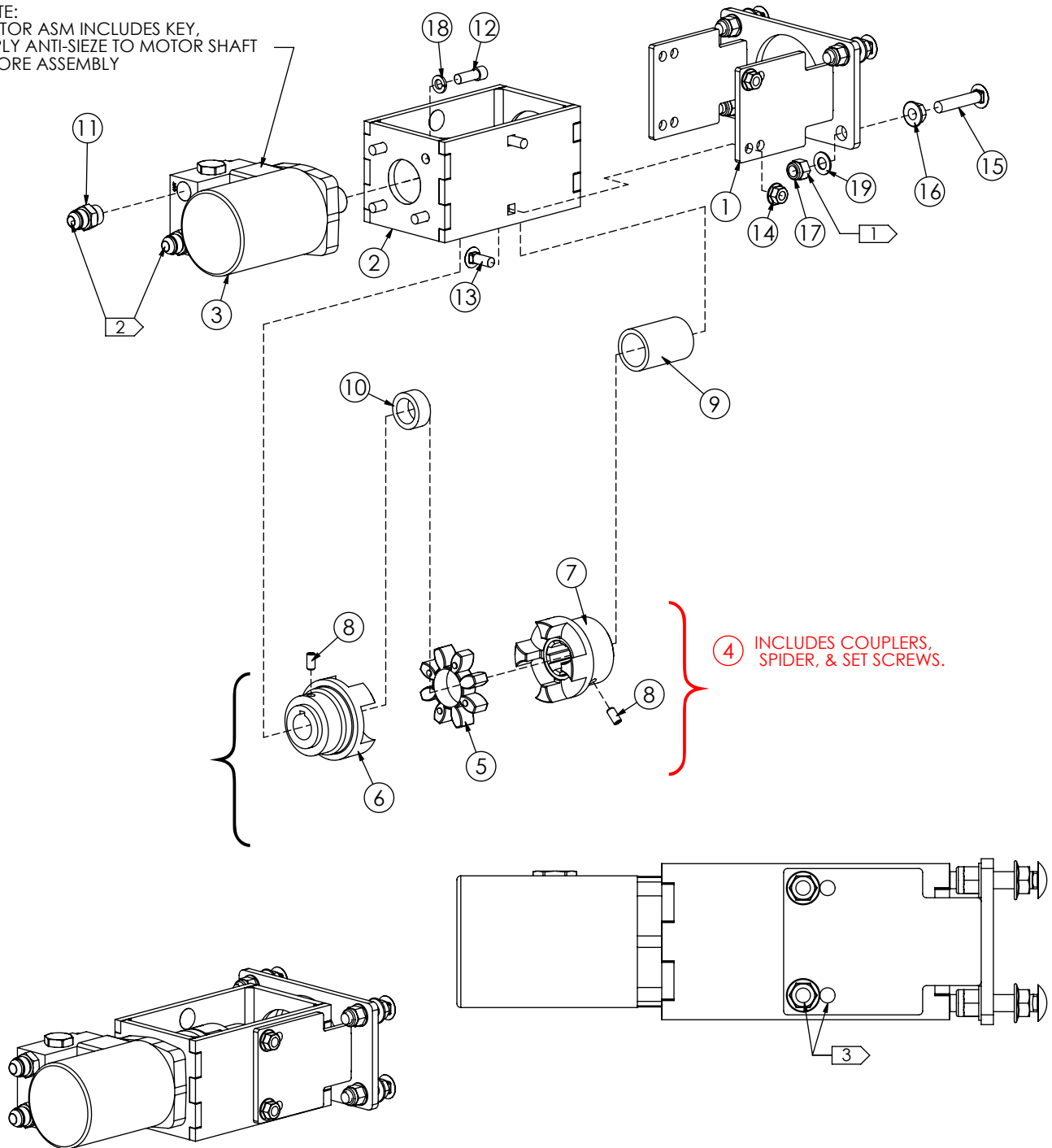


- **Relieve pressure on system before repairing, adjusting or disconnecting.**

MOTOR BRACKET ASM, STD TURBO

This is a non-patented version of the original product. This download may contain all pertinent information. Make Sure to read Chapter 1, Safety!
 Due to ongoing upgrades specifications may change without notice, contact a Monosem Rep for current information.

NOTE:
 MOTOR ASM INCLUDES KEY,
 APPLY ANTI-SIEZE TO MOTOR SHAFT
 BEFORE ASSEMBLY



STANDARD

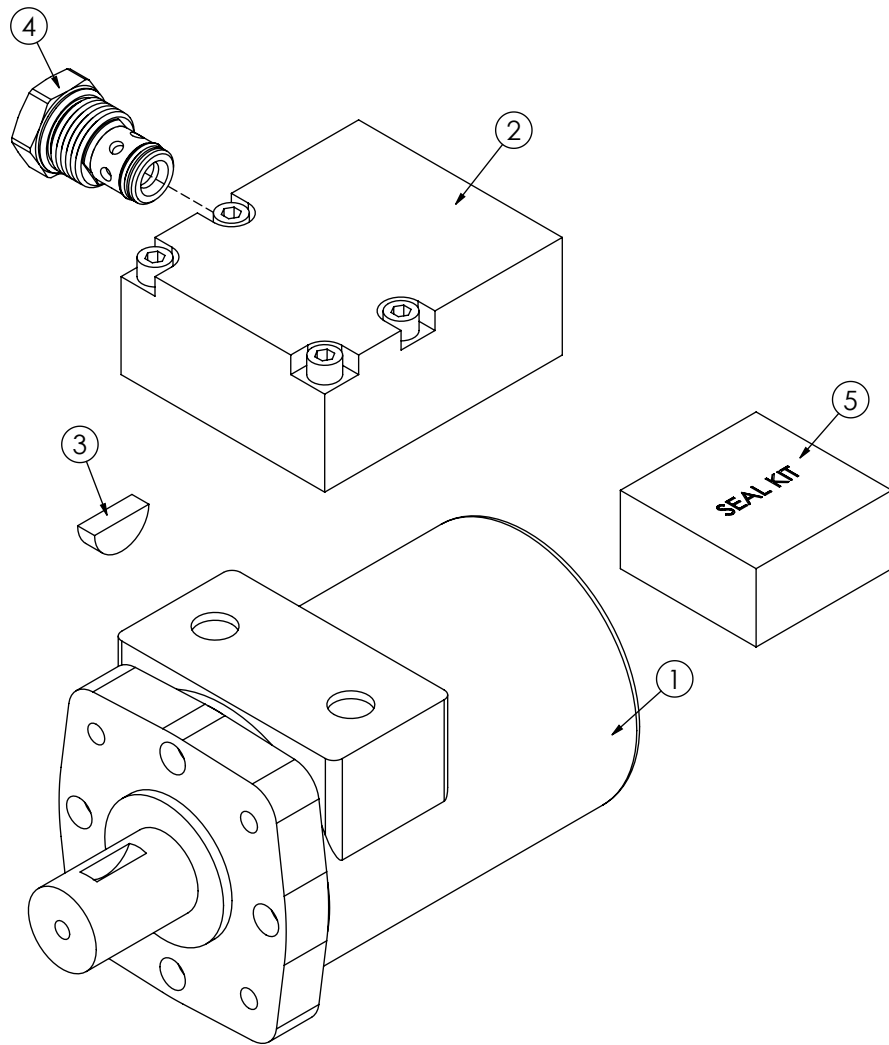
NOTE:

- 1 TORQUE N-3101 TO 35 FT.-LBS. ± 5 FT.-LBS.
- 2 1/2" HYDRAULIC HOSE LINES.
- 3 USE FRONT HOLE FOR STANDARD TURBO FAN,
 USE BACK HOLE FOR HIGH OUTPUT TURBO FAN.

ITEM NO.	QTY.	PART NUMBER	DESCRIPTION
1	1	200266	MOTOR MOUNT END WA
2	1	200161	BRACKET WA
3	1	FTA0232-1	STD & HIGH OUTPUT TURBO MOTOR
4	1	640925	COUPLING
5	1	5041	ELASTIC SHOCK ABSORBER
6	1	5042	COUPLING, MOTOR SIDE, 1" KEYED
7	1	5040	COUPLING, TURBOFAN END, 6 SPLI
8	2	10591915	SCREW, SOCKET SET , M8 x 16
9	1	5039	COUPLING SPACER, 62MM LONG
10	1	800436	SPIDER RING
11	2	TA6400-8-8	1/2 MALE JIC-1/2 MALE O-RING
12	4	F23305	SCREW, SCKT HD CAP , 3/8"-16 X 1"
13	4	CB-2210	BOLT, CARRIAGE, 3/8"-16 X 1" G5
14	4	N-2301	NUT, FLANGE, SERRATED, 3/8"-16
15	4	CB-3323	BOLT, CARRIAGE, 7/16"-14 X 2-1/4" FULL THRD G5
16	4	N-3103	NUT, FLANGE, SERRATED, 7/16"-14
17	4	N-3101	NUT, NYLOCK 7/16"-14 G5
18	4	W-2610	WASHER, SPLIT, 3/8" G8 YZ
19	4	W-3410	WASHER, FLAT, 7/16" SAE G8 YZ

STD & HIGH OUTPUT TURBO MOTOR

This is not the latest version of the manual. An extra download may not contain all pertinent information. Make Sure to read Chapter 1, Safety!
Due to ongoing upgrades specifications may change without notice, contact a Monosem Rep for current information.

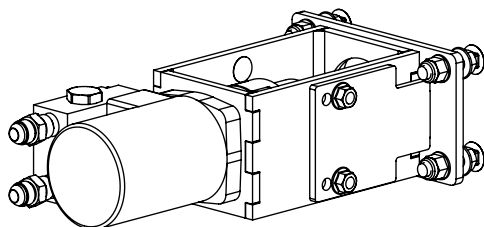
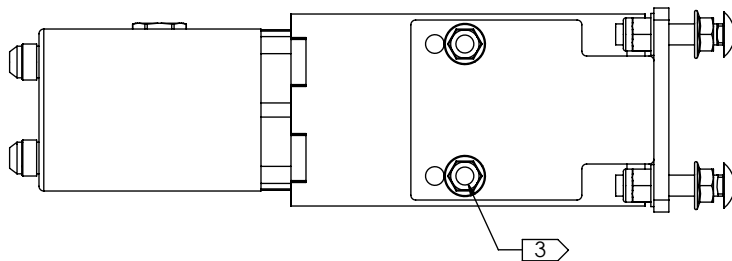
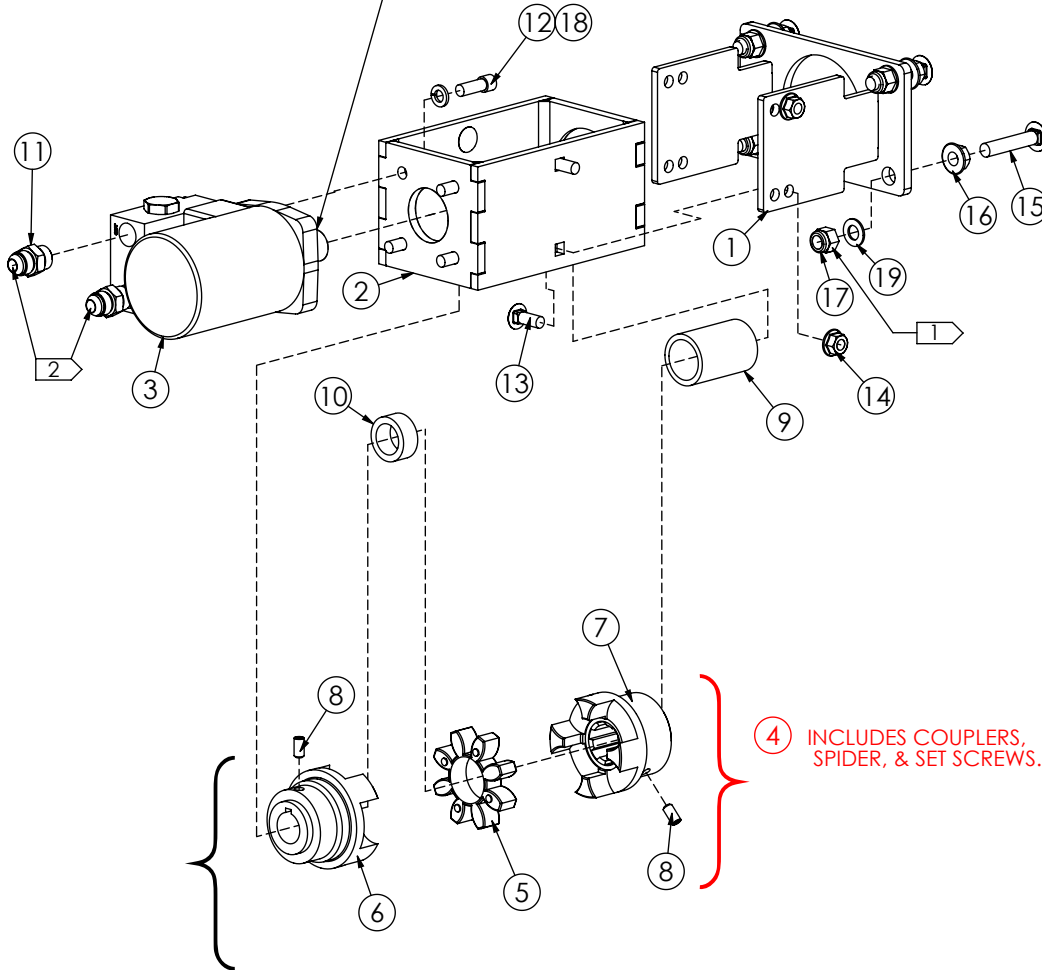


ITEM NO.	QTY.	PART NUMBER	DESCRIPTION
1	1	F101-017	HYDRAULIC MOTOR
2	1	FP10270-2	BYPASS BLOCK w/ HARDWARE
3	1	F14193	WOODRUFF KEY
4	1	900022	CHECK VALVE CARTRIDGE
5	1	F60540	SEAL KIT

MOTOR BRACKET ASM, EXTRA HIGH OUTPUT TURBO

This is a non-patented version of the motor. A patent is currently pending. All pertinent information. Make Sure to read Chapter 1, Safety!
 Due to ongoing upgrades specifications may change without notice, contact a Monosem Rep for current information.

NOTE:
 MOTOR ASM INCLUDES KEY,
 APPLY ANTI-SIEZE TO MOTOR SHAFT
 BEFORE ASSEMBLY



NOTE:

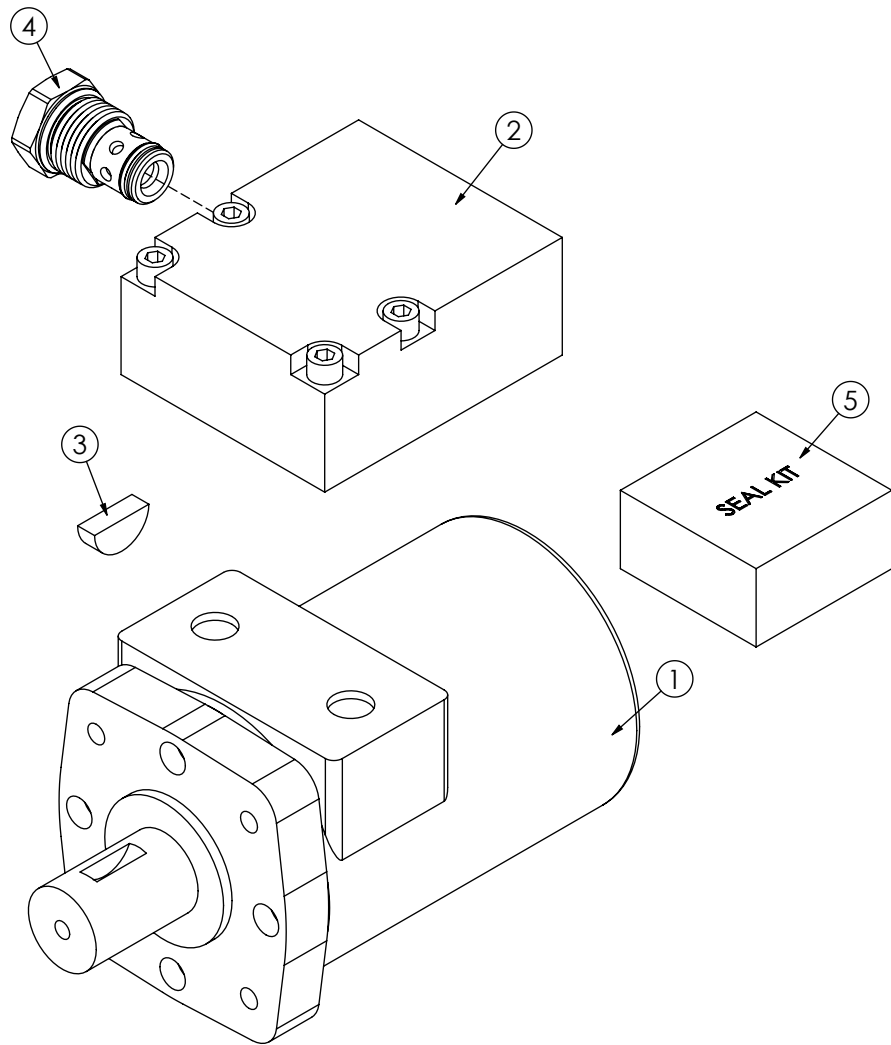
- 1 TORQUE N-3101 TO 35 FT.-LBS. ± 5 FT.-LBS.
- 2 1/2" HYDRAULIC HOSE LINES.
- 3 USE BACK HOLE FOR EXTRA HIGH OUTPUT TURBO FAN.

MOTOR BRACKET ASM, EXTRA HIGH OUTPUT TURBO

ITEM NO.	QTY.	PART NUMBER	DESCRIPTION
1	1	200266	MOTOR MOUNT END WA
2	1	200161	BRACKET WA
3	1	FTA0425	XHO TURBO MOTOR
4	1	640925	COUPLING
5	1	5041	ELASTIC SHOCK ABSORBER
6	1	5042	COUPLING, MOTOR SIDE, 1" KEYED
7	1	5040	COUPLING, TURBOFAN END, 6 SPLI
8	2	10591915	SCREW, SOCKET SET , M8 x 16
9	1	5039	COUPLING SPACER, 62MM LONG
10	1	800436	SPIDER RING
11	2	TA6400-8-8	1/2 MALE JIC-1/2 MALE O-RING
12	4	F23305	SCREW, SCKT HD CAP , 3/8"-16 X 1"
13	4	CB-2210	BOLT, CARRIAGE, 3/8"-16 X 1" G5
14	4	N-2301	NUT, FLANGE, SERRATED, 3/8"-16
15	4	CB-3323	BOLT, CARRIAGE, 7/16"-14 X 2-1/4" FULL THRD G5
16	4	N-3103	NUT, FLANGE, SERRATED, 7/16"-14
17	4	N-3101	NUT, NYLOCK 7/16"-14 G5
18	4	W-2610	WASHER, SPLIT, 3/8" G8 YZ
19	4	W-3410	WASHER, FLAT, 7/16" SAE G8 YZ

EXTRA HIGH OUTPUT TURBO MOTOR

This is a download version of the manual. If the download may not contain all pertinent information. Make Sure to read Chapter 1, Safety!
Due to ongoing upgrades specifications may change without notice, contact a Monosem Rep for current information.



ITEM NO.	QTY.	PART NUMBER	DESCRIPTION
1	1	F101-018	HYDRAULIC MOTOR
2	1	FP10270-2	BYPASS BLOCK w/ HARDWARE
3	1	F14193	WOODRUFF KEY
4	1	900022	CHECK VALVE CARTRIDGE
5	1	F60540	SEAL KIT

This is a downloadable version of the manual. A partial download may not contain all pertinent information. Make Sure to read Chapter 1, Safety!
Due to ongoing upgrades specifications may change without notice, contact a Monosem Rep for current information.

TABLE OF CONTENTS

1. SAFETY

2. PREPARATION

3. FRAME

4. TRANSMISSION

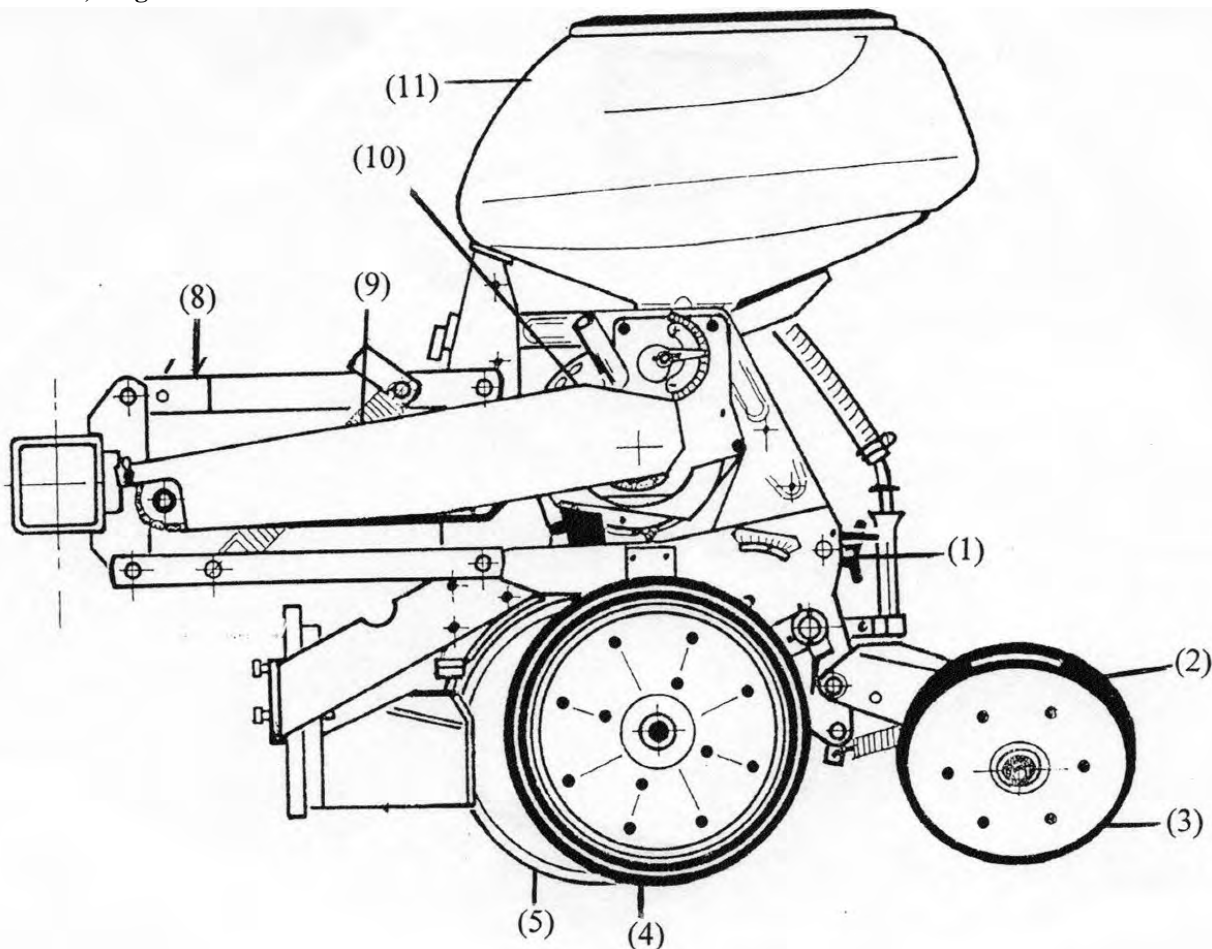
5. DRIVE

6. ROW UNIT

7. OPTIONAL EQUIPMENT

ROW UNIT

NG Plus 4, Single Row



The NG Plus 4 row unit is shown above with standard features. Other options are available for specific conditions or uses.

- (1) – Depth Adjustment Hand wheel**
- (2) – Hand wheel for Closing Wheel**
- (3) – Adjustable V Press Wheels**
- (4) – Independent Gauge Wheels**
- (5) – Heavy-Duty Disc Openers**
- (8) – Parallel Linkage**
- (9) – Stabilizing Springs**
- (10) – Metering Box**
- (11) – Heavy-Duty Plastic Hopper**

ROW UNIT

NG Plus 4, Single Row

SEED DEPTH

Adjust the seed depth by turning the hand wheel (1). Turning the wheel changes the height of the depth gauge wheels (4) in relation to the disc openers (5). A marker close to the hand wheel (6), indicating a gradual scale, ensures the uniformity of the depth control on all row units of the planter. Be sure that you set all of the row units on the planter at the same adjustment.

The disc openers and ground adjustment system guarantees an accurate and regular seed depth in all types of soil and conditions because the depth wheels are positioned perpendicular to the falling point of seeds.

V PRESS WHEELS

The two adjustable rear press wheels (3) affect only the closing of the seed furrow. They float independently and therefore do not have any effect on the ground engaging of the unit. Regulate the soil pressure by turning the hand wheel (2). This adjustment allows for shallow (beet), medium (corn) or deep (bean) planting. Choose this pressure carefully with relationship to the type and humidity of the soil, in order to assure proper seed to soil contact. Optional disc closing systems with flat or V press wheels are available.

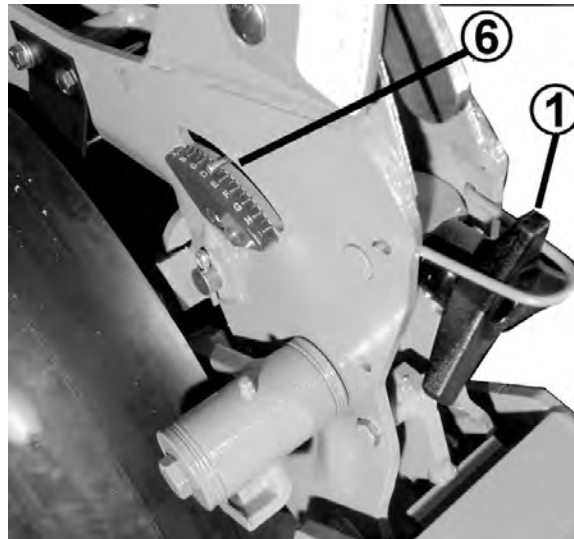
DEPTH GAUGE WHEELS

The depth gauge wheels (4) are engineered with an equalizing rocker bar to assure uniform depth control of the disc openers, even in clods or rocky conditions. The gauge wheels are independent of each other for a smoother ride through the field

In order for the disc openers to remain properly clean and free of soil build-up, make sure the flange of the gauge wheel is just touching the disc. To double-check this, raise the unit (using the unit lock up) and manually rotate the gauge wheels; the disc openers should also rotate freely without restriction.

After starting up the planter, the factory assembly may need readjustment. Adjust gauge wheel spacing by putting the washers from one side of the articulating arm to the other. Using an SAE multipurpose grease in a clean grease gun, lubricate the gauge wheel arms as needed.

SEED DEPTH ADJUSTMENT



ROW UNIT

NG Plus 4, Single Row

DOUBLE DISC OPENERS

The heavy-duty double disc openers (5) are very durable and mounted on watertight roller bearings. Their function is to slice the soil, and open a straight seed trench. An interchangeable firming point attached to the frame and positioned ahead of the seed tube also acts as a disc scraper. The flange of the gauge wheel should be just touching the disc openers, without restricting their movement.

A disc scraper is mounted to the side of each disc. You can adjust the pressure of the scrapers by tightening or loosening the bolts.

DRIVE CHAIN

The drive chains are spring loaded and therefore, self tightening. You may need to shorten the chain if wear stretches the chain and reduces spring tension. Periodically check the pivot point of the chain idlers to ensure they rotate freely. Use a chain lubricant spray daily, or as needed. Dry moly is the recommended chain lubricant.

SEED HOPPER

A 52, 60, or 90 liter plastic hopper with lid (11) is standard on the NG+ 4 unit.

DOWN PRESSURE SPRINGS

The Down Pressure springs (9) located within the parallel linkage absorbs shock and helps to stabilize the unit in rough terrain. Optional quick adjust and heavy duty down pressure springs available.

Optional quick adjust for down pressure springs is pictured here.

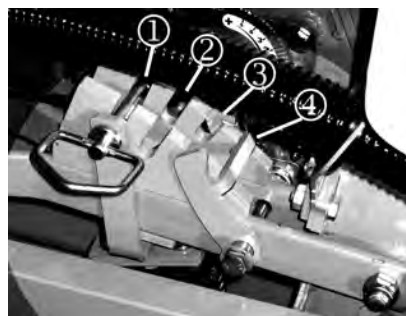
For normal level field conditions, the apx. down pressure settings are

- (1) 100 lb
- (2) 190 lb
- (3) 280 lb
- (4) 375 lb

DOWN PRESSURE SPRINGS



QUICK ADJUST DOWN PRESSURE SETTINGS



Down Pressure Settings:

- (1) 100 lb
- (2) 190 lb
- (3) 280 lb
- (4) 375 lb

ROW UNIT

NG Plus 4, Single Row

SEED METERING SYSTEM

The seed metering system (10) is made of cast aluminum and consists of two parts, the non-removable **main housing**, and a removable **cover**. The metering box is equipped with a stainless steel seed disc that delivers the seed to a curved seed tube.

The metering box is located below the seed hopper and is engineered for accuracy and long life. The special shape allows for planting even when a minimum of seed remains in the hopper. The metering box contains sealed bearings for durability.

METERBOX MAIN HOUSING

The main housing is mounted in the planter unit frame. Components in the main housing are the plastic wear gasket, cap, seed disc and seed scraper. The seed disc rotates on the plastic wear gasket, so make sure the gasket is smooth and in good condition. Under normal operating conditions, replace the gasket when the wear indicator is less than .5 mm.

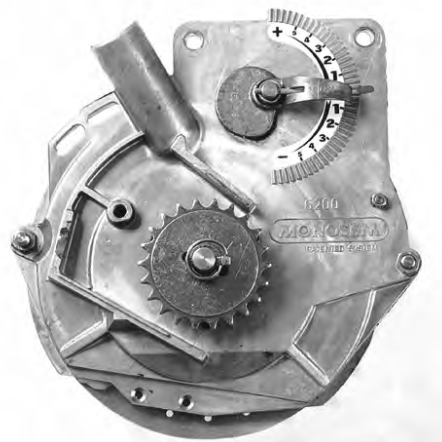
REPLACING THE WEAR GASKET

To replace the gasket, position the metal brace with its tab notched in the hole of the housing. Rotate the outer edge of the plastic wear gasket into the groove. It will lock into place when the stub fits into the hole of the housing; the cap and three bolts hold the gasket in position.

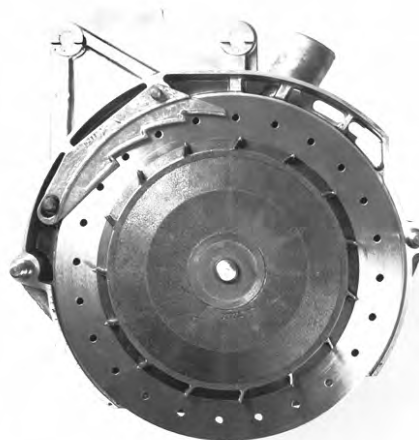
NOTE: Thoroughly clean the metering box housing before installing a new wear gasket. Any residue left from previous use will not allow the gasket to fit in the proper position.

On the outside of the main housing is the lever for adjusting the air suction in relation to the weight of the seed. This lever also sets the height of the seed scraper. See **OUTSIDE LEVER ADJUSTMENT** for specifics on this setting.

MAIN HOUSING EXTERIOR



MAIN HOUSING INTERIOR



MAIN HOUSING INTERIOR, DISSECTED



ROW UNIT

NG Plus 4, Single Row

OUTSIDE LEVER on Meterbox ①

The outside lever on the metering box cover is unique. It makes two adjustments at the same time. These two factors influence the degree of singulation of the seed.

By turning the outside lever, ①, two adjustments are made at the same time.

ADJUSTMENT one

The lever adjusts the height of the scraper in relationship to the holes in the seed disc (h),

ADJUSTMENT two,

at the same time it adjusts the air suction ② (from the turbofan) to the weight of the seed.

For LARGER SEED, to INCREASE SUCTION +0 to +5

When the indicator ① is positioned toward plus, "+" The scraper raises over the holes of the seed disc (h) and closes the size of the hole on the meterbox ②. This increases the suction, and may cause doubles if the indicator is raised too high.

For SMALLER SEED, to DECREASE SUCTION -0 to -5

When the indicator ① is positioned toward minus, "-" The scraper lowers over the holes of the seed disc (h) and opens the hole on the meterbox ②. This decreases the suction, and may cause skipping if the indicator is too low.

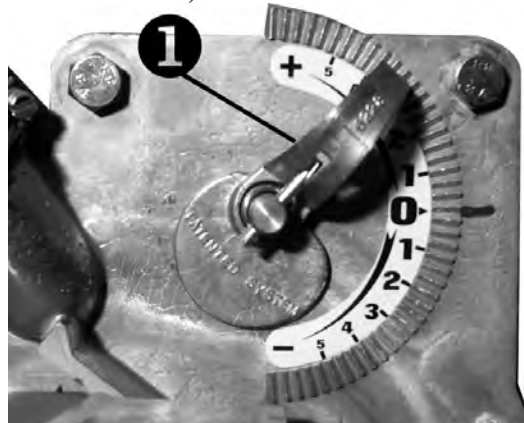
The clear plastic control window on the cover allows you to monitor the results.

See "5. Drive" for Turbofan vacuum settings.

Recommended setting for the indicator:	
Kidney Bean	+5
Peanuts	+4 ½ (+4 to+5)
Beans	+4 to +5
Sorghum/Milo	+3
Soybeans/Peas	+2 to +4
Cabbage	+2
Coated Sugarbeet	+2
Corn	+1 (0 to +2)
Sunflowers	+1 (0 to +2)
Cotton	+1
Uncoated Sugarbeet	0 (-2 to +1)
Pickle / Melon	-1 ½ (-1 to-2)

NOTE: The above settings are theoretical, so checking before and during planting is essential.

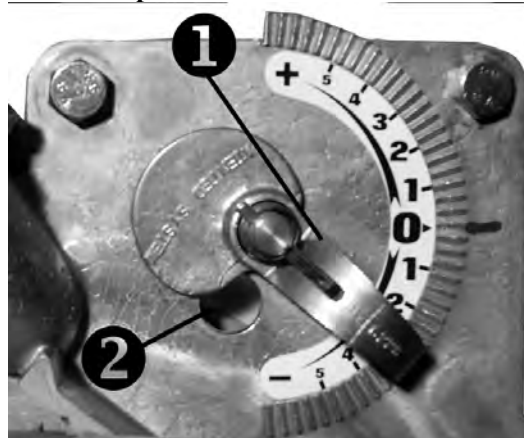
SETTING FOR LARGER SEED the hole on meterbox closes, which increases suction.



and the SCRAPER RAISES over the seed disc hole.



SETTING FOR SMALLER SEED, the hole on meterbox opens which reduces suction.



and the SCRAPER lowers over the seed disc hole.



ROW UNIT

NG Plus 4, Single Row

METERBOX COVER

The cover is the removable part of the metering box. Two wing nuts secure the cover to the main housing. The components on the outside of the cover are a control window and trap door. The components on the inside of the cover are a metal shutter and ejector block. Use a special cover for extra large seed such as peanuts and kidney beans. See **EXTRA LARGE SEED** for more information.

The control window is made of clear plastic and allows you to view the seed against the seed disc. For a closer inspection of the seed against the disc, you can raise the window.

INTERIOR SHUTTER ADJUSTMENT Meterbox

The metal shutter inside the cover regulates the flow of seeds coming from the hopper and provides a constant and sufficient level of seed in front of the disc. According to the seed used, check and adjust the shutter before planting.

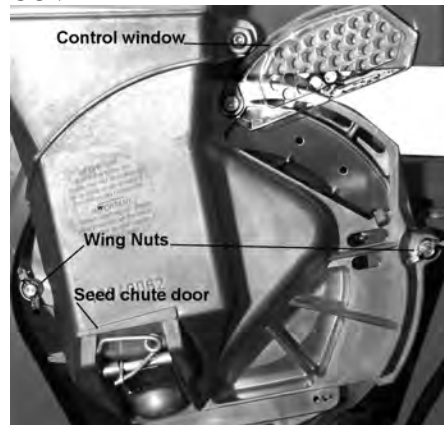
Adjust the interior shutter by loosening two bolts (13) and then lowering the shutter (12). A small plastic sheet (14) is located under the shutter. The shutter limits the level of seeds in front of the disc.

High Position: For large seeds, such as corn, soybean, edible beans, cotton, etc. The high position moves the shutter away from the opening.

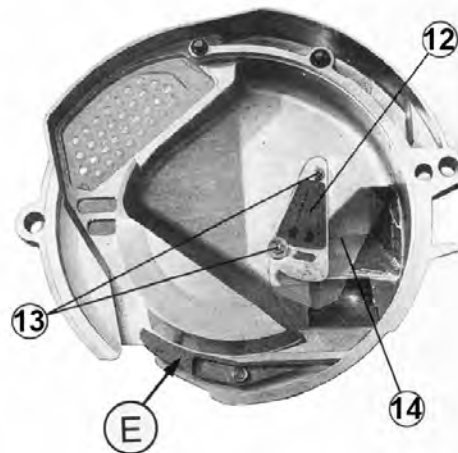
Low Position: For small seeds, such as sorghum and milo. The low position moves the shutter over part of the opening

The brass ejector block (E) assures that the seed is dropped at a consistent angle to reduce seed bounce inside the seed tube, for more accurate seed placement. Because of the important function of the ejector block, periodically check that it is in good condition.

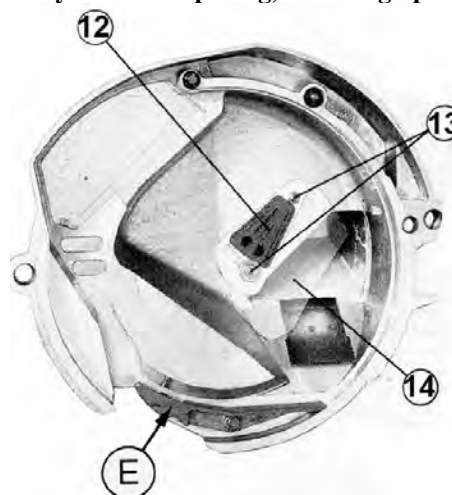
COVER



SETTING FOR SMALLER SEED the restrictor is closer to the opening, in the low position



SETTING FOR LARGER SEED the restrictor is away from the opening, in the high position.



ROW UNIT _____

NG Plus 4, Single Row

METERING BOX TROUBLESHOOTING

Problem: Excessive Skipping

Possible Reason:

- Seed scraper is too low.
- The indicator is on the wrong setting.
- Seed scraper is bent. (not flat)
- The seed disc is bent or worn.
- Seed scraper is dirty with chemical product.
- Plastic wear surface gasket is warped or used up.
- Holes of the seed disc are clogged (sugarbeets, rapeseed, cabbage.) Double-check from time to time.
- The planter is working at an excessive speed.
- Defective vacuum hoses.
- The vacuum suction is insufficient.
- Turbofan speed is too low.
- Foreign material mixed with seed.
- Seed blockage in the hopper, seed treatment product may be too moist.
- Fan belt is too loose.

Problem: Excessive Doubling

Possible Reason:

- Seed scraper is too high. Incorrect indicator setting
- Seed scraper is worn.
- The holes of the seed disc are too large for seed.
- The planters working speed is excessive.
- Seed level too high in the metering box.

Problem: Skipping and Doubles

Possible Reason:

- Seed is bridging in the meterbox cover.
- The planters working speed is excessive.
- Holes of the seed disc are too large. (Cut off seeds.)
- Fields are too steep.
- The shutter is adjusted incorrectly.
- Vacuum setting is too high

Problem: Irregular Spacing

Possible Reason:

- The planters working speed is excessive.
- The soil is sticking to the tires because it is too wet.
- Incorrect tire pressure.
- Shutter is adjusted incorrectly.
- Ejector is damaged.
- Toolbar is not level.

NOTE: Toolbar must run level or slightly back.

For 3pt Mounted Planters, make sure tractor is in "float" mode.

ROW UNIT

NG Plus 4, Single Row

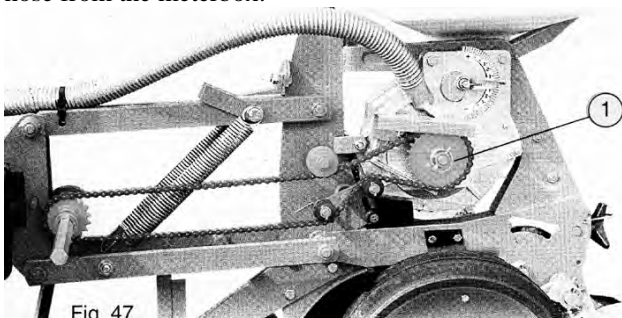
EXTRA LARGE SEED

A special metering box cover should be used for seeds such as peanuts, and kidney beans. This special metering box cover is designed with a larger opening (to improve the seed flow into the seed chamber), a larger discharge channel (to avoid blockage), and a special less aggressive seed scraper (to avoid skips). The metal shutter should be in the “**high position**” for these large seeds.

NOTE: If you ordered your planter specifically to plant extra large seed and it has the special metering box cover installed, you can also use this cover for smaller seed as corn or beans. To use the large seed cover with small seed, adjust the metal shutter to a low position and add a special bolt-on plastic restrictor.

DISENGAGING THE METERING BOX

The individual disengaging of a metering unit is possible by removing the lynch pin in the sprocket on the main housing, **(1)** or by disconnecting the vacuum hose from the meterbox.



SEED TUBE

The seed tube is the last point of contact the seed has in the metering system. After the seed passes by the brass ejector block, (which ejects the seed at a consistent angle to reduce seed bounce in the seed tube) it is guided through the curved seed tube into the seed trench.

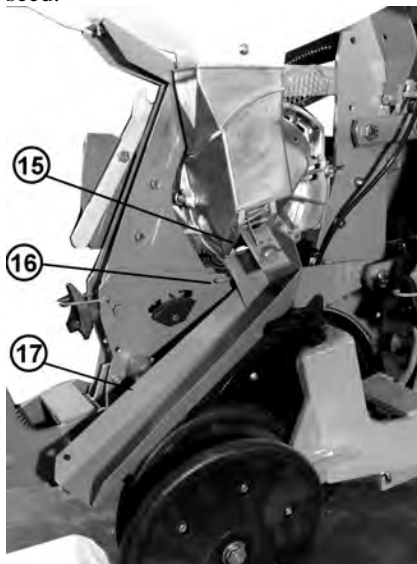
Before and during each new planting season, make sure your seed tubes are in good condition. Your seed tubes must be in good condition to ensure consistent and regular seeding.

To replace the seed tube, remove the metering box cover and seed disc to remove the top pin holding the tube in place OR remove the metering box cover and the seed disc.

Electronic seed monitors are optional. They monitor the flow of seed through the seed tube. For accurate reading of the monitors, periodically clean the inside of the seed tubes by running a brush up through the tube to clean the sensor eye.

SEED CHUTE

The seed chute simplifies the job of emptying the hoppers. Attach the chute **(17)** to the Row Unit at point **(16)**. Place a bucket at the bottom of the chute, lift the seed chute door **(15)** and collect the left over seed.



SEED DISC

Use the proper seed disc for different seeds. Check your type of seed, and use the **Seed Disc Recommendations** chart to determine the correct disc for your crop.

It is important to use seed discs that are clean and in good condition. Customized seed discs are not shown, but are available upon special request. It is not recommended to drill out your own seed discs. Any slight burrs or imperfections in drilling will alter your metering. The precision of your seed discs must be maintained to have proper metering.

The brass agitator is set onto the seed disc with 6 special screws.

If you remove your seed discs from the metering box to clean them or to use a different disc, use a permanent marker to identify which seed disc came from which metering box. When you put the discs back into the unit place the seed discs back into their original metering box.

ROW UNIT

NG Plus 4, Single Row

SEED DISC IDENTIFICATION

The size of the seed disc is engraved into the back of the seed disc. When ordering seed discs, the prefix DN indicates the disc only. The prefix DC indicates the complete disc with brass agitator (6212.a). The first 2 numbers of a 4 number series indicates the number of holes in the seed disc. The second two numbers indicates the size (diameter) of the holes.

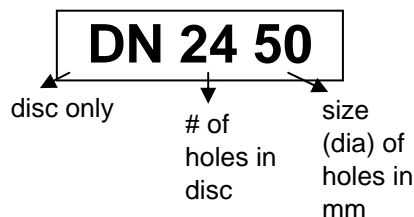
Example:

Seed Disc # DN 2450

DN indicates disc only (no agitator)

24 indicates 24 holes

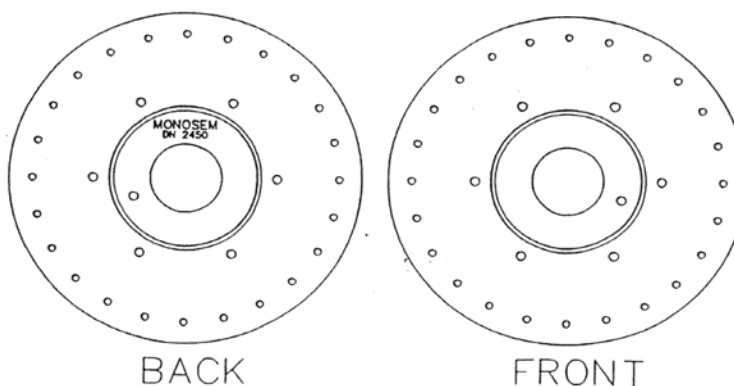
50 indicates the holes are diameter 5.0 mm.



HOLE SIZE

EXAMPLES

- 08 = .8 mm
- 10 = 1.0 mm
- 12 = 1.2 mm
- 20 = 2.0 mm
- 35 = 3.5 mm
- 45 = 4.5 mm
- 50 = 5.0 mm
- 60 = 6.0 mm
- 65 = 6.5 mm



SEED DISC RECOMMENDATIONS

CROP	SEED DISC		SEED SPACING
Beans	DC3665	Large, Kidney	2 3/8 - 7"
	DC4850	Large, Pinto, Romano, Lima, Chicapee	1 3/4 - 5 1/2"
	DC6045	Medium, Snap, Baby Limas, Soybeans	1 3/8 - 4 3/8"
	DC6035	Small, Navy, Peas	1 3/8 - 4 3/8"
Broccoli and Cabbage	DC3612 (low population)		2 3/8 - 7"
	DC7212 (high population)		1 3/16 - 3 1/2"
Canola	DC7212		1 3/16 - 3 1/2"
Cauliflower	DC3612 (low population)		2 3/8 - 7"
	DC7212 (high population)		1 3/16 - 3 1/2"
Collard Greens	DC7208, DC7210		1 3/16 - 3 1/2"
Corn	DC0950	Field	9 1/2 - 28"
	DC1250		7 - 21"
	DC1850 (low population)		4 3/4 - 14"
	DC2450 (medium population)		3 1/2 - 10 1/2"
	DC3050 (high population)		2 3/4 - 8 1/2"
	DC2437, small, 2700-5000 seeds/lb. Sweet		3 1/2 - 10 1/2"
	DC2445, large, 1700-2700 seeds/lb.		3 1/2 - 10 1/2"
	DC2425	Ornamental	3 1/2 - 10 1/2"
Cotton	DC3635 (low population)	Single seed drop	2 3/8 - 7"
	DC6035 (high population)	Single seed drop	1 3/8 - 4 3/8"
	DC0930D (double seed drop)	Hill drop(seeds 3/4 - 2" apart)	9 1/2 - 28"
	DC0930T (triple seed drop)	Hill drop(seeds 3/4 - 2" apart)	9 1/2 - 28"
	DC1230D (double seed drop)	Hill drop(seeds 3/4 - 2" apart)	7 1/8 - 21"
	DC1230T (triple seed drop)	Hill drop(seeds 3/4 - 2" apart)	7 1/8 - 21"

ROW UNIT

NG Plus 4, Single Row

Cotton	DC1830D (double seed drop)	Hill drop(seeds 3/4 - 2" apart)	4 3/4 - 14"	
	DC1830T (triple seed drop)	Hill drop(seeds 3/4 - 2" apart)	4 3/4 - 14"	
Cucumbers/ Pickles	DC1820	Hand harvest	4 3/4 - 14"	
	DC3020	Machine harvest	2 3/4 - 8 1/2"	
Kale	DC7208		1 3/16 - 3 1/2"	
Melons	DC0620 (low population)	Watermelon, small seed, Cantaloupe	14 1/4 - 42"	
	DC0920 (medium population)		9 1/2 - 28"	
	DC1820 (high population)		4 3/4 - 14"	
	DC0325 (low population)	Watermelon, large seed	28 1/2 - 84"	
	DC0325D (hill drop)		Drop two seeds, 1-3/8 - 4-3/8" apart	28 1/2 - 84"
	DC0625 (medium population)		14 1/4 - 42"	
	DC0625D (hill drop)		Drop two seeds, 1-3/8 - 4-3/8" apart	14 1/4 - 42"
DC0925 (high population)		9 1/2 - 28"		
Okra, Artichoke	DC3622		2 3/8 - 7"	
	DC7222		1 3/16 - 3 1/2"	
Onions	DC3610 (low population)	Raw	2 3/8 - 7"	
	DC7210 (high population)		1 3/16 - 3 1/2"	
	DC3622 (low population)	Pelleted	2 3/8 - 7"	
	DC7222 (high population)		1 3/16 - 3 1/2"	
Parsley	DC7208		1 3/16 - 3 1/2"	
Peanuts	DC3665	Jumbo seed	2 3/8 - 7"	
	DC3060 (twin row)	Small to medium seed	2 3/4 - 8 1/2"	
	DC4060	Small to medium seed	2 1/8 - 6 1/2"	
	DC4860(not recommended)	Small to medium seed, (High pop.)	1 3/4 - 5 1/2"	
Peppers	DC3612 (low population)		2 3/8 - 7"	
	DC7212 (high population)		1 3/16 - 3 1/2"	
Pumpkins	DC0335 (low population)		28 1/2 - 84"	
	DC0335D (hill drop)	Drop two seeds, 1-3/8 - 4-3/8" apart	28 1/2 - 84"	
	DC0635 (medium population)		14 1/4 - 42"	
	DC0635D (hill drop)	Drop two seeds, 1-3/8 - 4-3/8" apart	14 1/4 - 42"	
	DC0935 (high population)		9 1/2 - 28"	
Radish	DC6015		1 3/8 - 4 3/8"	
Rice	DC9016		15/16 - 2 3/4"	
Sesame	DC7208		1 3/16 - 3 1/2"	
Sorghum	DC3622 (low population)		2 3/8 - 7"	
	DC7222 (high population)		1 3/16 - 3 1/2"	
Spinach	DC6015	Small seed	1 3/8 - 4 3/8"	
	DC6020	Large seed	1 3/8 - 4 3/8"	
	DC12020	Large seed(high populations)	11/16 - 2 1/16"	
Squash	DC0625 (medium population)	Summer	14 1/4 - 42"	
	DC0925 (high population)		9 1/2 - 28"	
	DC0635 (medium population)	Winter	14 1/4 - 42"	
	DC0935 (high population)		9 1/2 - 28"	
Sugarbeets	DC4016 (medium population)	Small, Medium, Large & Pelleted seed	2 1/8 - 6 1/2"	
	DC4020 (medium population)		Medium, Large and Pelleted seed	2 1/8 - 6 1/2"
	DC6020 (high population)		Medium, Large and Pelleted seed	1 3/8 - 4 3/8"
	DC12015 (seed production)	Small, Medium, Large & Pelleted seed	11/16 - 2 1/16"	
	DC12020 (seed production)		Medium, Large and Pelleted seed	11/16 - 2 1/16"
Sunflowers	DC1225 (low population)	Oil & Confection	7 1/8 - 21"	
	DC1825 (high population)		4 3/4 - 14"	
Tomatoes	DC7212		1 3/16 - 3 1/2"	
	DC1212T(hill drop 12 x 3 x 1.2)		7 - 21"	
Turnips	DC7208		1 3/16 - 3 1/2"	

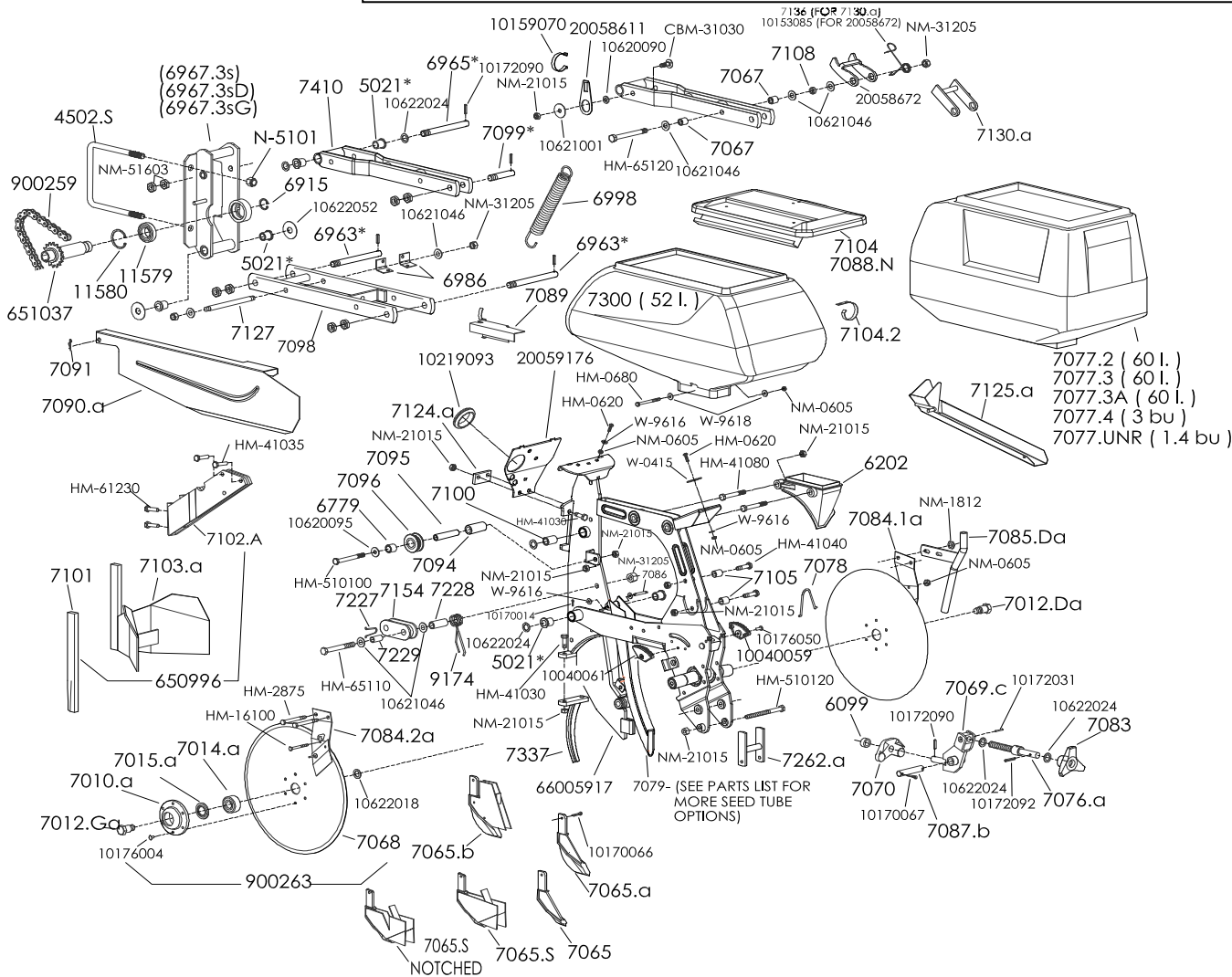
This is a downloadable version of the manual. A partial download may not contain all pertinent information. Make Sure to read Chapter 1, Safety! Due to ongoing upgrades specifications may change without notice, contact a Monosem Rep for current information.

ROW UNIT

NG Plus 4 Assembly
7" x 7"

SELECT CORRECT SERVICE PART NUMBER FROM TABLE:				
	6963*	6965*	7099*	5021*
PIN STYLE PIVOT PIN:	6963	6965	7099	5021
BOLT STYLE PIVOT PIN (9A & EARLIER S/N):	6963.B	6965.B	7099.B	5021.1
BOLT STYLE PIVOT PIN (10A & LATER S/N):	6963.C	6965.C	7099.C	5021.2

NOTE: CORRECT BUSHING (5021*) SHOULD BE USED WITH CORRESPONDING PIN / BOLT



PART No.	DESCRIPTION
4502.S	U bolt, for 7" x 7" x 5/8-11
5021*	SEE TABLE ABOVE, Bushing
5021.1	Bushing. S/N 9A & EARLIER
5022.2	Bushing. S/N 10A & LATER
6099	Collar with 6x25 roll pin
6202	Collar brace
6779	Bushing, self lubricated
6915	Snapping, 30mm
6963 *	SEE TABLE ABOVE, Pivot Pin.
6963.B	Pivot Bolt, Lower Linkage. S/N 9A & EARLIER
6963.C	Pivot Bolt, Lower Linkage. S/N 10A & LATER
6965 *	SEE TABLE ABOVE, Pivot Pin.
6965.B	Pivot Bolt, Upper Linkage Front. S/N 9A & EARLIER
6965.C	Pivot Bolt, Upper Linkage Front. S/N 10A & LATER
6967.3	Clamp facing, 5x5 toolbar
6967.3S	Clamp facing, 7x7 toolbar
6967.3SD	Clamp facing, 7x7 toolbar R.H.

PART No.	DESCRIPTION
6967.3SG	Clamp facing, 7x7 toolbar L.H.
6968.1	T-bolt W/ Nut for 5x5 toolbar, 16mm
6969	Clamp Plate 5x5 toolbar
6986	Spring Clip Stainless
6998	Spring
7010.A	Cast hub, uses 6x22 rivets
7012.DA	Removable spindle, righthand
7012.GA	Removable spingle, lefthand
7014.A	Bearing double disc opener (52042RS)
7015.A	Sealing washer
7065	Cast point
7065.A	Cast V slice insert
7065.B	V slice insert
7065.S	V shoe insert for small seed
7067	Spacers for Unit Lock-up bracket
7068	Opening disc only
7069.C	Bracket for wheel stop/depth control rod, NG+4

ROW UNIT

NG Plus 4 Assembly

7" x 7"

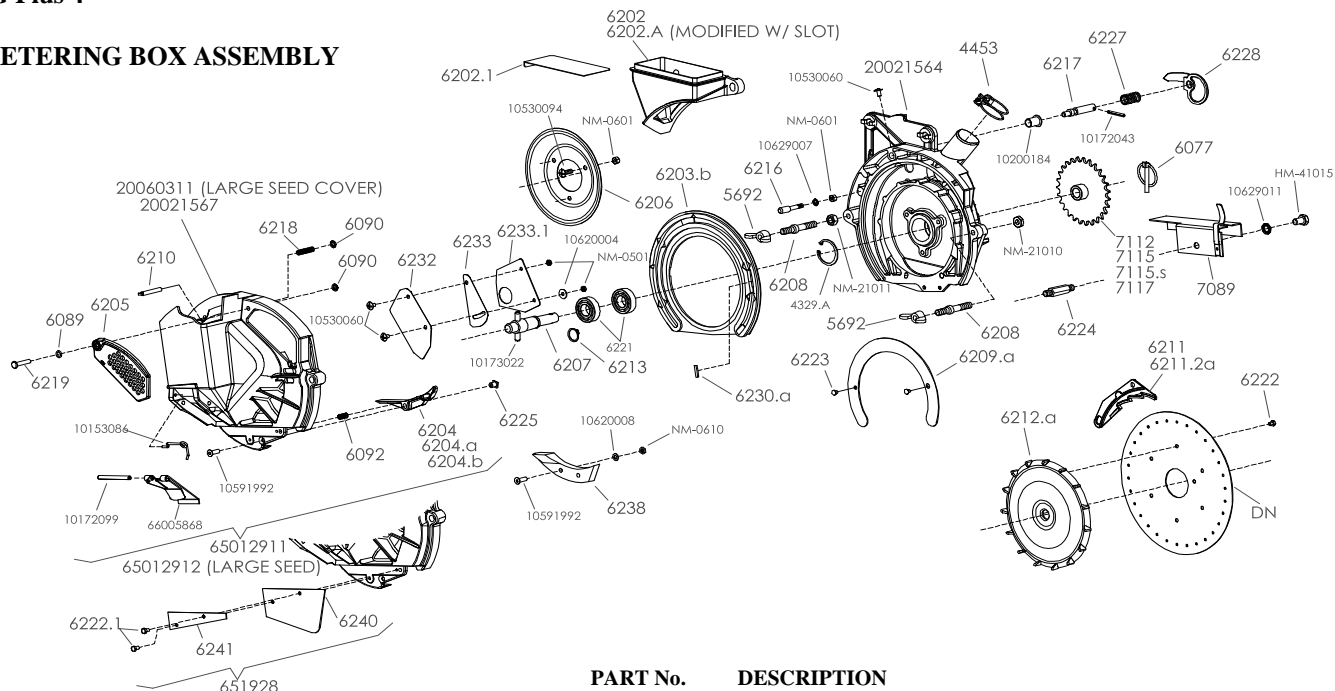
PART No.	DESCRIPTION
7065.B	V slice insert
7065.S	V shoe insert for small seed
7067	Spacers for Unit Lock-up bracket
7068	Opening disc only
7069.C	Bracket for wheel stop/depth control rod, NG+4
7070	Swing bracket
7076.A	Threaded for depth adjustment
7077.2	Seed hopper, standard, 60 ltr
7077.3	Seed hopper, Twin row, 60 ltr
7077.3A	Seed hopper, TwinRow/reversed, 60 ltr
7077.4	Seed hopper, 3 bu.
7077.UNR	Seed hopper, 50 ltr (1.4 bu, uses7088.n lid)
7078	Wire stop for depth control rod
7079	Seed tube, blank
7079.1	Seed tube, w/ hole, no sensor
7079.2S	Seed tube, w/ sensitive sensor
7079.3	Seed tube, Peanut, no sensor
7079.3S	Seed tube, Peanut, w/ sensor
7079.4	Seed tube, Beet, no sensor
7086	Seed tube, Pin
VA598003	Seed tube, w/ sensor
VA598503	Seed tube, w/ hole, no sensor
7083	Handwheel for depth control, uses 6x30 roll pin
7084.1A	Right outside scraper
7084.2A	Left outside scraper
7085.DA	Insecticide drop tube, right
7085.GA	Insecticide drop tube, left
7086	Pin for seed tube attachment
7087.B	Pin, uses 2-5x40 cotter pins
7088.N	Lid for 7077.UNR hopper
7089	Small chain guard
7090.A	Drive chain guard
7091	Clip pin
7094	Spacer bushing
7095	Pivot pin, takes 10x100 bolt
7096	Chain roller (cast iron)
7098	Lower parallel linkage arm
7099 *	SEE TABLE ON PREVIOUS PAGE, Pivot Pin
7099.B	Pivot Bolt, Upper Linkage Rear, S/N 9A & EARLIER
7099.C	Pivot Bolt, Upper Linkage Rear, S/N 10A & LATER
7100	Bushing, self lubricated
7101	Front point, clod remover
7102.A	Mounting bracket, clod remover
7103.A	Clod remover
7104	Lid w/o spring clip
7104.CO	Lid complete w/spring clip
7104.2	Spring clip
7105	Spacer
7108	Bushing, self lubricated, Unit Lock-up
7124.A	Unit Stop
7125.A	Seed Emptying chute
7127	Threaded rod
7130.A	Unit lock up bracket NG+3 & Quick Adjust
7136	Spring for lock-up 7130.A
7154	Idler (7154.CO = Complete assembly)
7227	Spring Stop for Idler
7228	Spacer for Idler
7229	Carrier Bushing for Idler
7262.A	Spring support bracket

PART No.	DESCRIPTION
7300	Seed hopper, 52 ltr.
7337	Protection point, double disc openers
7410	Upper parallel linkage arm
9174	Spring, chain tightener
11579	Bearing, safety clutch (60062RS)
11580	Snapping, 55mm
650996	Clod remover, complete
651037	Sprocket 18T #41 Chain
900259	Drive chain, #41, 124 links w conn. Link
900263	Opening disc complete w/bearing
10040059	Depth Gauge Indicator, Right
10040061	Depth Gauge Indicator, Left
10159070	Vacuum Hose Spring Clip
10153085	Spring for lock-up 20058672
10170014	Split Pin, 2.5 x 20mm
10170066	Split Pin, 5 x 35mm
10170067	Split Pin, 5 x 40mm
10172031	Roll Pin, 3.5 x 25mm
10172090	Roll Pin, 6 x 25mm
10172092	Roll Pin, 6 x 35mm
10176004	Rivet, 6 x 22mm
10176050	Rivet, 6 x 16mm
10219093	Rubber Grommet
CBM-31030	Carrage Bolt, M10 x 30mm
HM-0620	Bolt, M6 x 20mm
HM-0680	Bolt, M6 x 80mm
HM-16100	Bolt, M6 x 100mm
HM-2875	Bolt, M8 x 75mm
HM-41030	Bolt, M10 x 30mm
HM-41040	Bolt, M10 x 40mm
HM-41080	Bolt, M10 x 80mm
HM-510100	Bolt, M10 x 100mm
HM-510120	Bolt, M10 x 120mm
HM-61230	Bolt, M12 x 30mm
HM-65110	Bolt, M12 x 110mm
HM-65120	Bolt, M12 x 120mm
N-5101	Nylock 5/8"
NM-0605	Nylock 6mm
NM-1812	Nylock 8mm
NM-21015	Nylock 10mm
NM-21205	Nylock 12mm
NM-51603	Jam Nut 16mm
NM-51605	Nylock 16mm
W-0415	Washer, 1/4" x 1-1/2" Stainless for Hopper
W-9616	Washer, 6.5 x 16 x 1mm
W-9618	Washer, 6.5 x 18 x 1.5mm
10620090	Washer, 10.5 x 20 x 2.5mm
10620095	Washer, 10.5 x 27 x 2mm
10621001	Washer, 10.5 x 40 x 2mm
10621046	Washer, 13 x 27 x 2mm
10622018	Washer, 16.5 x 21 x 1mm
10622024	Washer, 6 x 18 x 1mm
10622052	Washer, 17 x 50 x 1mm
20058611	Support for Vacuum Hose Spring Clip
20058672	Unit lock up bracket NG+4
20059176	Removable FacePlate NG+4
66005917	NG+4 Unit Frame

ROW UNIT

NG Plus 4

METERING BOX ASSEMBLY



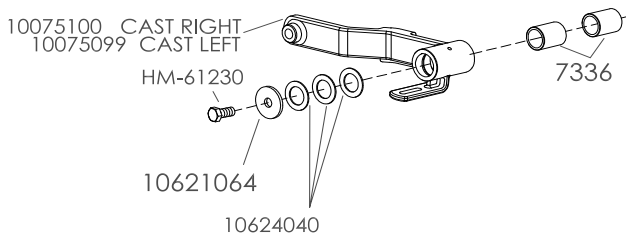
PART No.	DESCRIPTION
4329.a	Snapping, internal, 57mm
4453	Vac Hose Clamp
5692	Wing nut, 10mm
6077	Lynch pin, 6mm dia.
6089	Rubber ring
6090	Snapping, 6mm
6092	Spring
6202	Collar brace
6202.A	Collar Brace with slot
6202.1	Slide Plate for slotted Meter box collar
6203.b	Plastic insert
6204	Plastic Ejector
6204.a	Bronze ejector block assembly
6204.b	Bronze ejector, extended point
6205	Control window
6206	Tightening cap
6207	Shaft, meter box, uses 8x50 roll pin
6208	Threaded tightening rod for cover
6209.a	Brace for plastic insert
6210	Pressure pin scraper
6211	Seed scraper, standard
6211.2a	Seed scraper, extra large seed
6212.a	Agitator, brass
6213	Snapping, external, 20mm
6216	Fixed pin for seed scraper
6217	Adjustable pin for seed scraper, uses 4x35 roll pin
6218	Spring for selector
6219	Pin for control window
6221	Bearing 42mm, (ref. 60042RS)
6222	Screw, used for agitator and wind flap
6222.1	Screw used for wind flap
6223	Screw, 5x6 to secure brace 6209.a
6224	Connector Pin Chainshield
6225	Nut, to secure ejector block
6227	Spring for selector handle
6228	Selector handle
6230.a	Removable Plug
6232	Gasket for inside meter box cover

PART No.	DESCRIPTION
6233.3S	Restrictor plate for peanut cover, medium seed
6233.2	Shutter for medium to small seed, standard cover
6233.2s	Shutter for small seed, large seed cover only (turnip)
6233.3s	Shutter for medium seed, large seed cover only
6238	Aluminum ejector block (for large seed covers)
6240	Rubber shield
6241	Metal tightener plate
7089	Fixed Chain housing
If using Sync-Row System, See Sync-Row Supplement in Back	
7115.s	Sprocket, 26 tooth, standard drive sprocket
800373	Sleeve with Hex with groove for timing plate
800408	Dial selector with weldment
800409	Timing plate with 18 tooth sprocket
10153086	Spring for trap door
10172043	Roll pin, 4x35 for 6217 pin
10172099	Roll pin, 6x70 to secure trap door
10173022	Roll pin, 8x50 for 6207 shaft
10200184	Plastic insert for seed scraper
10530060	Screw, 5x10 Phillips head
10530094	Phillips screw, 6x20
10591992	Screw, 6x16 for ejector block assembly
10620004	Washer, 5.5x16x1mm
10620008	Washer, 6.5x12x.6mm
10629007	Lockwasher, External tooth 6mm
10629011	Lockwasher, External tooth 10mm
20000529	Agitator brass with only 5 fins
20021564	Housing only for meter box
20021567	Meter box cover only
HM-41015	Hex Bolt 10-1.5x16mm
NM-0501	Hex Nut 5mm
NM-0601	Hex Nut 6mm
NM-0610	Jam Nut 6mm
NM-21010	Jam Nut 10mm
NM-21011	Hex Nut 10mm
651928	Protection kit
66005868	Trap door NG+4
65012911	Standard cover complete
65012912	Large seed cover complete
METERING BOX COMPLETE	
641097	Complete meter box, w/26T sprocket & collar
641090	Complete meter box, w/21T sprocket & collar
65032073	Large seed complete meter box assem. w/ 26T sprocket & collar

ROW UNIT

NG Plus 4

GAUGE WHEEL ARM ASSEMBLY



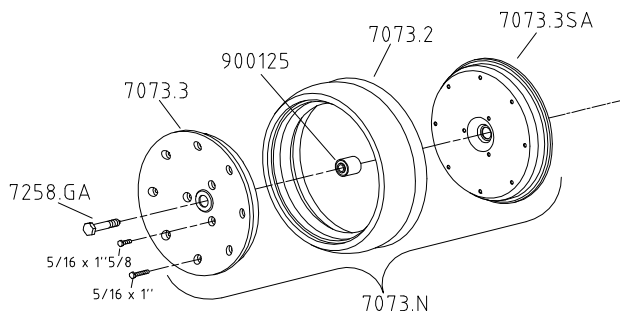
PART No.	DESCRIPTION
7336	Two piece bushing
10075100	Cast Gauge wheel arm RH
10075099	Cast Gauge wheel arm LH

PART No.	DESCRIPTION
10621064	Washer M13 x 45 x 5
10624040	Washer M33 x 45 x 1.5
HM-61230	Hex bolt M12 x 30

GAUGE WHEEL ASSEMBLY

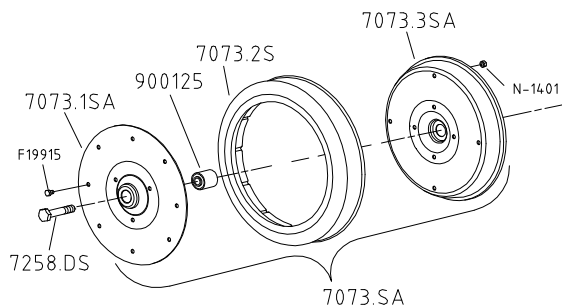
7073.N Gauge wheel complete (black nylon rim)

900125	Bearing, 40mm (DAC1640442RSL)
7073.2	Tire only, standard
7073.3	Outer rim (black nylon)
7073.3SA	Inner rim (black steel)
7258.DA	RH Hex head bolt 16 x 80
7258.GA	LH Hex head bolt 16 x 80



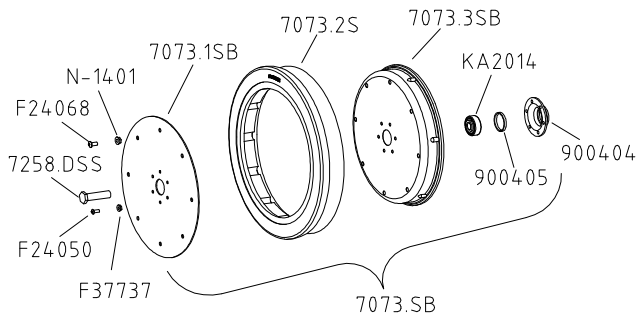
7073.SA Narrow gauge wheel, complete

900125	Bearing, 40mm (DAC1640442RSL)
7073.1SA	Outer rim (steel)
7073.2S	Tire only, narrow
7073.3SA	Inner rim (black steel)
7258.DS	RH Hex bolt 16 x 80, W/ 7/32" thick bolt head
7258.GS	LH Hex bolt 16 x 80, W/ 7/32" thick bolt head
F19915	Flange head bolt, 5/16-18 x 5/8"
N-1401	5/16 -18 Flange lock nut



7073.SB Flat narrow gauge wheel

900404	Bearing housing
900405	Spacer
7073.1SB	Outer rim (steel)
7073.2S	Tire only, narrow
7073.3SB	Inner rim (black steel)
7258.DSS	RH Bolt 16 x 60, W/ 7/32" thick bolt head
7258.GSS	LH Bolt 16 x 60, W/ 7/32" thick bolt head
F24050	1/4" -20 x 5/8 Button head socket screw
F24068	5/16" -18 x 5/8" Button head socket screw
F37337	1/4 -20 Flange lock nut
N-1401	5/16 -18 Flange lock nut
KA2014	Bearing



ROW UNIT

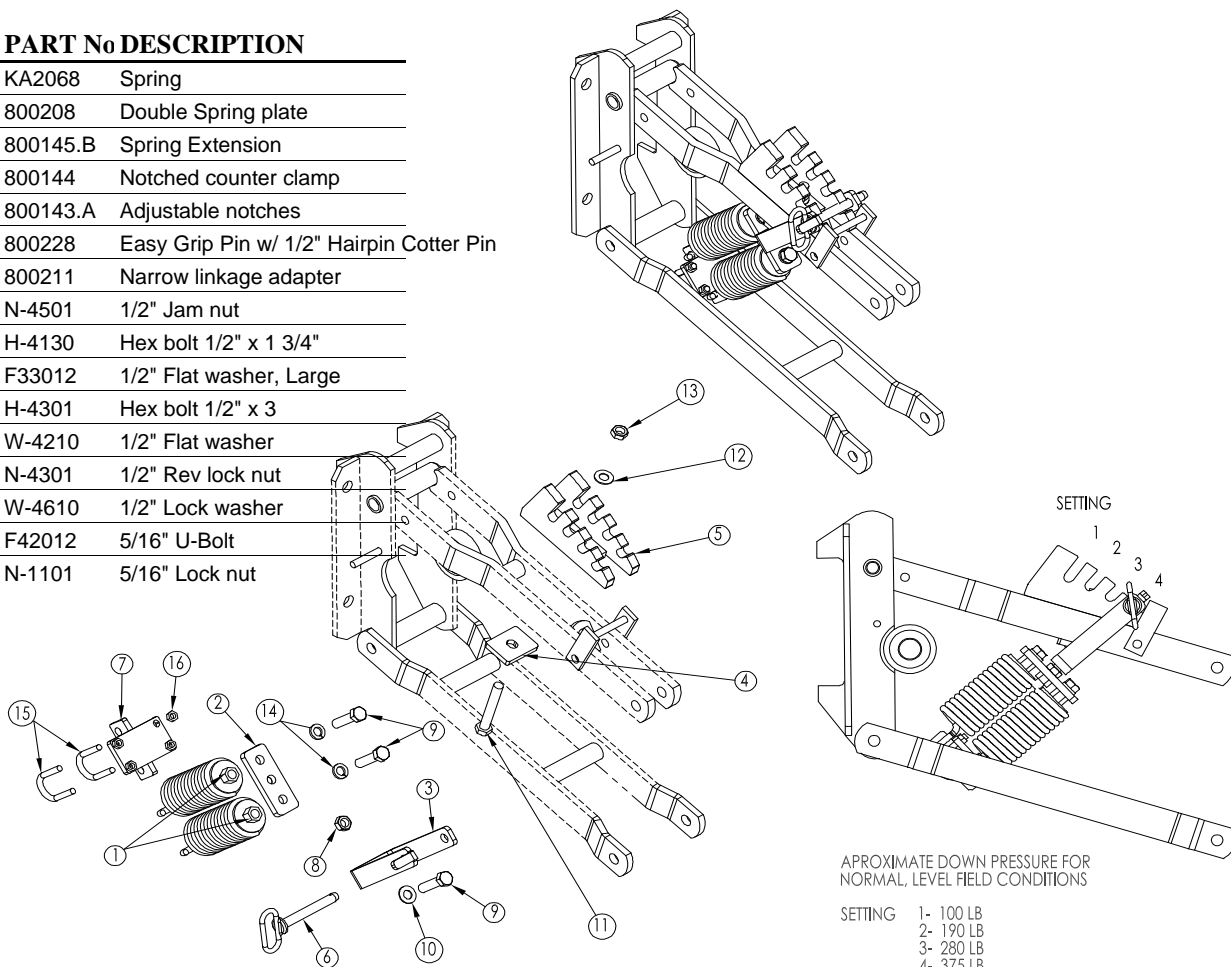
NG Plus 4

UP / DOWN PRESSURE SPRING

Quick Change Down Pressure, For Use with Narrow Bottom Linkage Sub-Assembly #KA2068QT

ITEM PART No DESCRIPTION

1	KA2068	Spring
2	800208	Double Spring plate
3	800145.B	Spring Extension
4	800144	Notched counter clamp
5	800143.A	Adjustable notches
6	800228	Easy Grip Pin w/ 1/2" Hairpin Cotter Pin
7	800211	Narrow linkage adapter
8	N-4501	1/2" Jam nut
9	H-4130	Hex bolt 1/2" x 1 3/4"
10	F33012	1/2" Flat washer, Large
11	H-4301	Hex bolt 1/2" x 3
12	W-4210	1/2" Flat washer
13	N-4301	1/2" Rev lock nut
14	W-4610	1/2" Lock washer
15	F42012	5/16" U-Bolt
16	N-1101	5/16" Lock nut

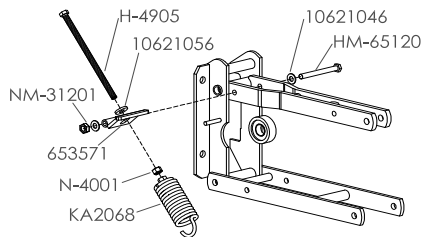


APPROXIMATE DOWN PRESSURE FOR NORMAL, LEVEL FIELD CONDITIONS

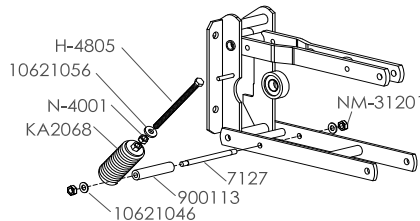
- SETTING 1- 100 LB
- 2- 190 LB
- 3- 280 LB
- 4- 375 LB

Up / Down Pressure Spring Assembly

H-4805	Bolt, all thread, 1/2-13x8"
H-4905	Bolt, all thread, 1/2-13x10"
HM-65120	Bolt, metric M12-1.75 x120mm
KA2068	Spring
N-4001	Nut, 1/2-13
NM-31201	Nut, Metric M12
653571	Up Pressure Spring plate
7127	Treaded rod M12
900113	Down pressure Spacer bushing
10621046	Washer, 13x27x2
10621056	Washer, 13x30x6



UP PRESSURE SPRING ASSEMBLY



DOWN PRESSURE SPRING ASSEMBLY

ROW UNIT

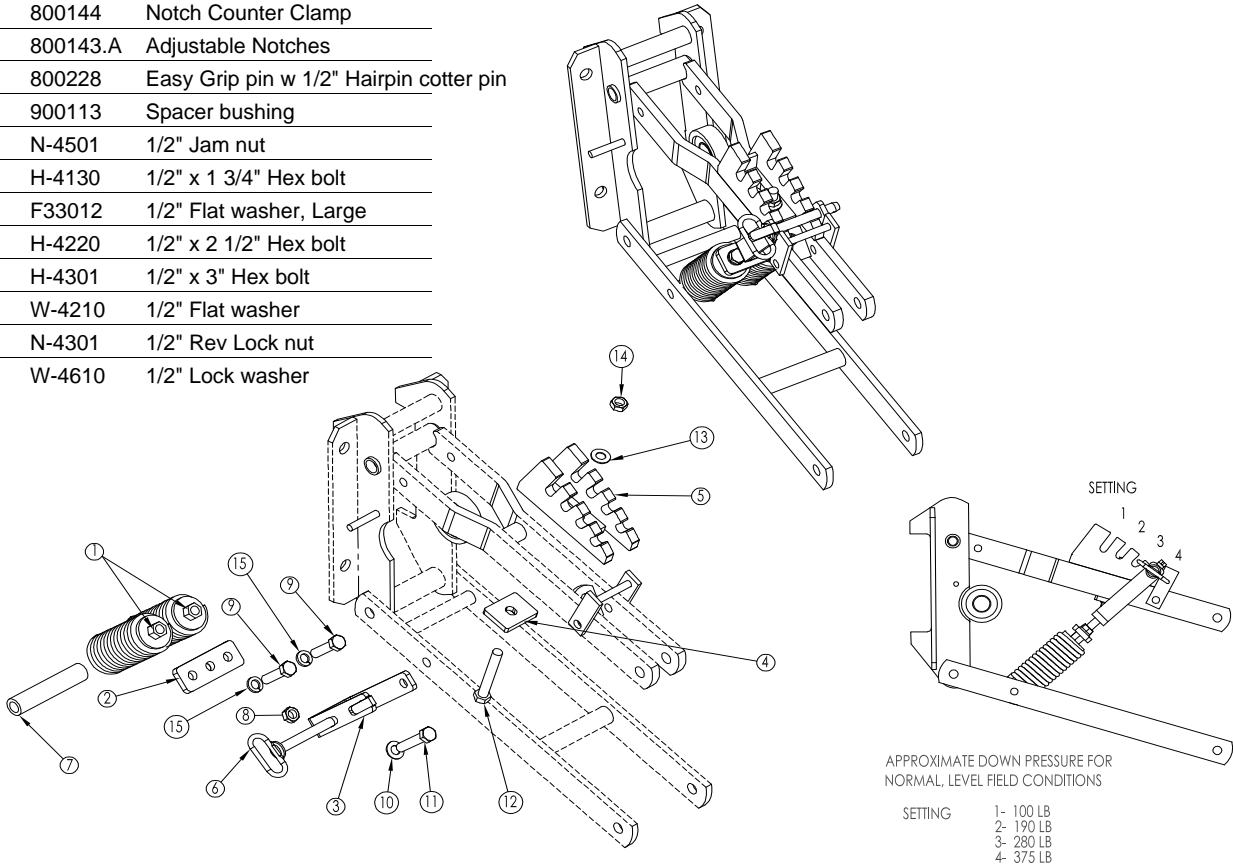
NG Plus 4

UP / DOWN PRESSURE SPRING

Quick Change Down Pressure, For Use with Standard Linkage Sub-Assembly #KA2068Q

ITEM PART No DESCRIPTION

1	KA2068	Spring
2	800208	Double Spring Plate
3	800145.B	Spring Extension
4	800144	Notch Counter Clamp
5	800143.A	Adjustable Notches
6	800228	Easy Grip pin w 1/2" Hairpin cotter pin
7	900113	Spacer bushing
8	N-4501	1/2" Jam nut
9	H-4130	1/2" x 1 3/4" Hex bolt
10	F33012	1/2" Flat washer, Large
11	H-4220	1/2" x 2 1/2" Hex bolt
12	H-4301	1/2" x 3" Hex bolt
13	W-4210	1/2" Flat washer
14	N-4301	1/2" Rev Lock nut
15	W-4610	1/2" Lock washer



APPROXIMATE DOWN PRESSURE FOR NORMAL LEVEL FIELD CONDITIONS

SETTING	1- 100 LB
	2- 190 LB
	3- 280 LB
	4- 375 LB

ROW UNIT

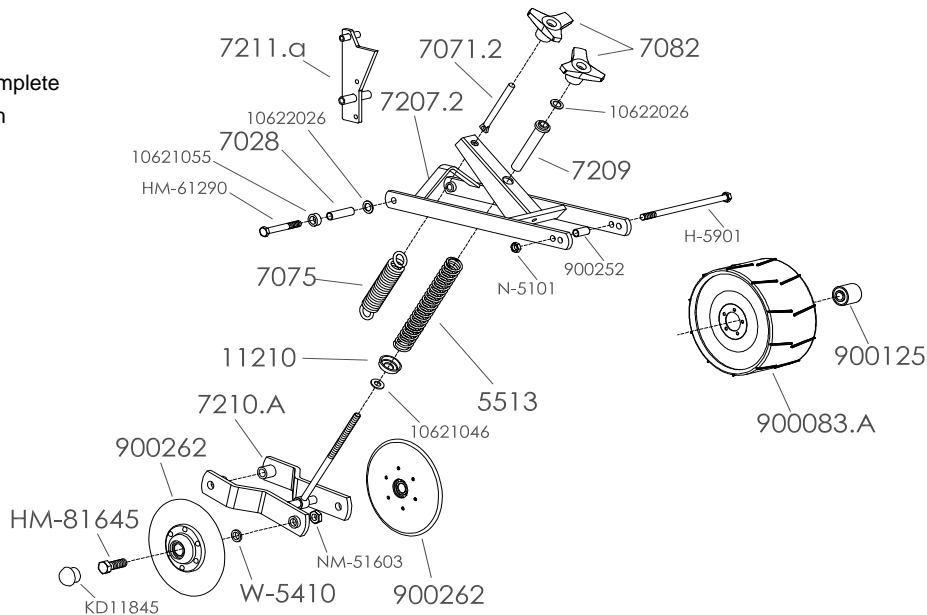
NG Plus 4

900052.A- HILLER DISC w/ FLAT PRESS WHEEL

The flat press wheel with disc closing system is used for cotton or other shallow planted crops. It has an adjustable down pressure spring and an independent spring for discs.

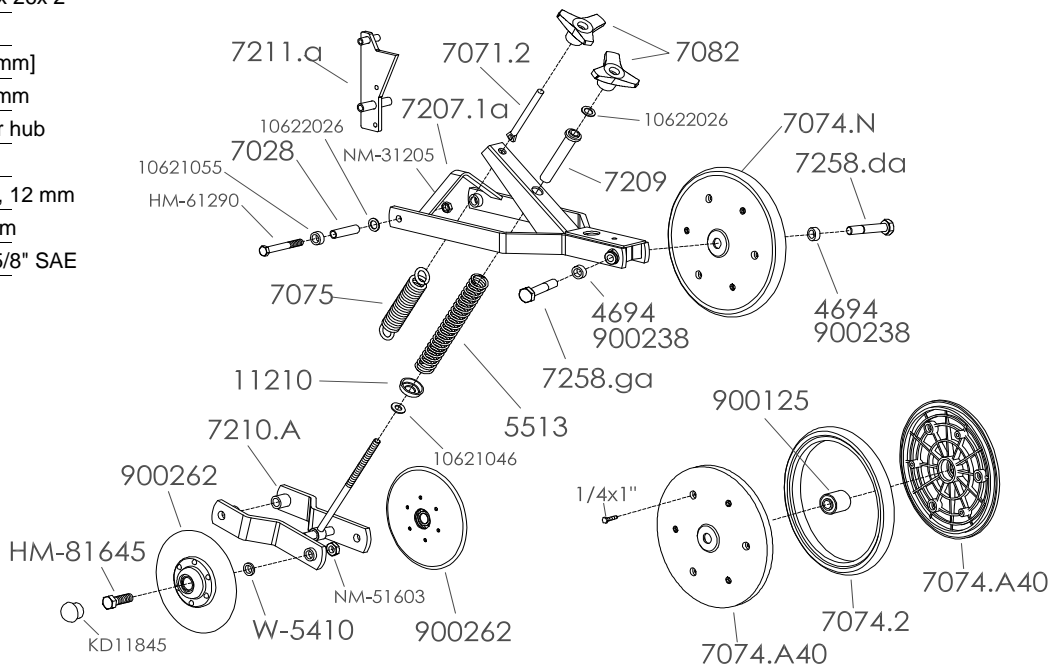
PART No. DESCRIPTION

4694	Bushing Closing wheel 10mm
5513	Pressure spring
7028	Bushing spacer, 59mm
7074.A40	Rim Half
7074.N	Adjustable closing wheel complete
7071.2	Adjustment rod 12 x 130 mm
7074.2	Tire only, 1 x 12
7075	Spring
7082	Handwheel knob
7207.1A	Frame for hiller disc
7207.2	Frame for hiller disc
7209	Sleeve for spring
7210.a	Bracket for mounting discs
7211.a	Frame wheel stop
7258.GA	Bolt, 16x 80 RH
7258.DA	Bolt, 16x 80 LH
11210	Cap to support spring
90052.a	Complete v press wheel
900083.1	Rim half flat press wheel
900083.2	Tire only flat press wheel. (6.5" x 12")
900083.a	Complete flat press wheel
900125	Bearing 40mm
900238	Bushing spacer, Narrow, 5/16" wide
900252	Bushing spacer, 2 13/16"
900262	Disc complete w/ hub & bearing
10621046	Washer, 13x 27x 2
10621055	Washer, 13x 30x 5
10622026	Washer, 16.5x 26x 2
H-5901	Bolt, 5/8 x 9
HM-61290	Bolt, 12 x 90 mm]
HM-81645	Bolt, 16 x 45 mm
KD11845	Plastic cap for hub
N-5101	Locknut, 5/8"
NM-31205	Nylon locknut, 12 mm
NM-51603	Jam nut, 16mm
W-5410	Flat washer, 5/8" SAE



900052.1- HILLER DISC w/ V PRESS WHEEL

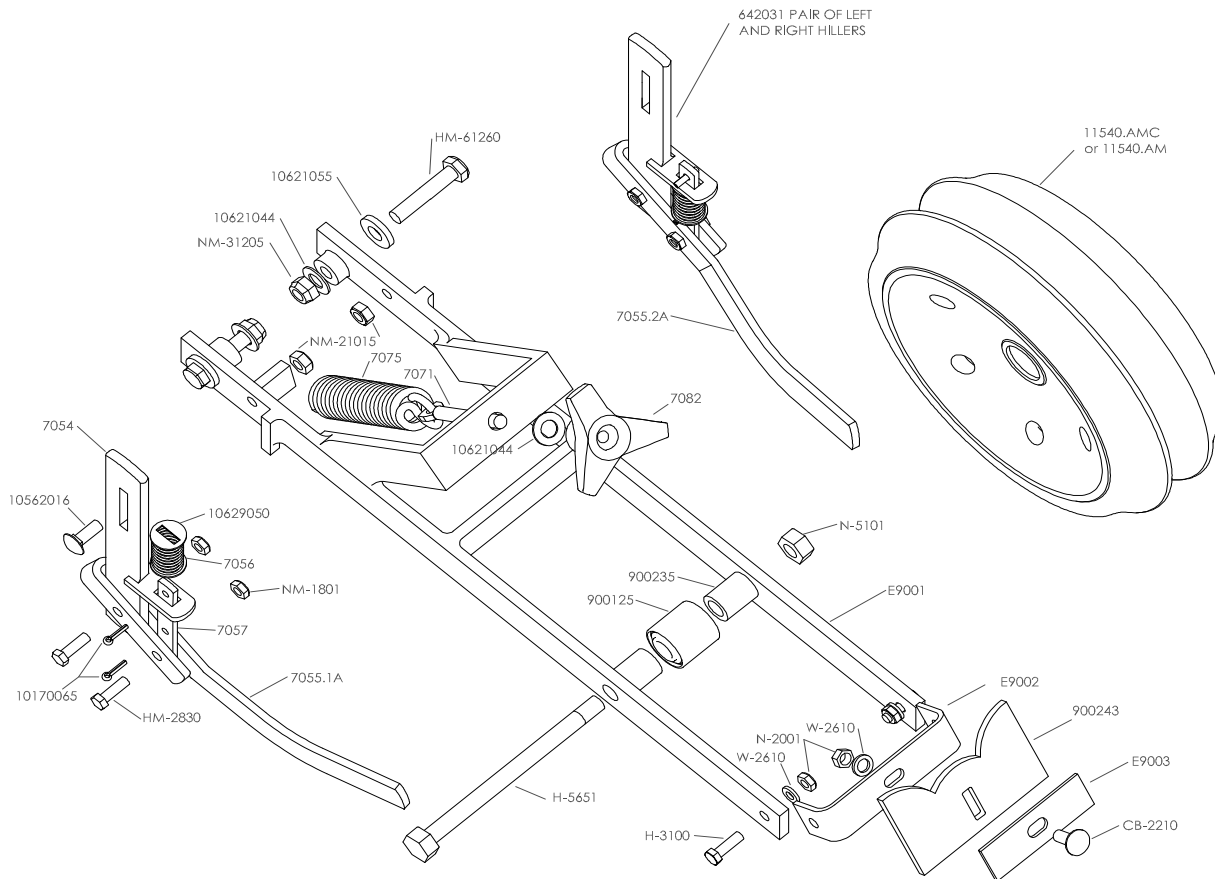
The V press wheel closing system features twin off-set discs and a V press wheel with an adjustable down pressure spring. There is an independent spring-loaded adjustment for discs.



ROW UNIT

NG Plus 4

CONCAVE PRESS WHEEL/ HILLER ASSEMBLY



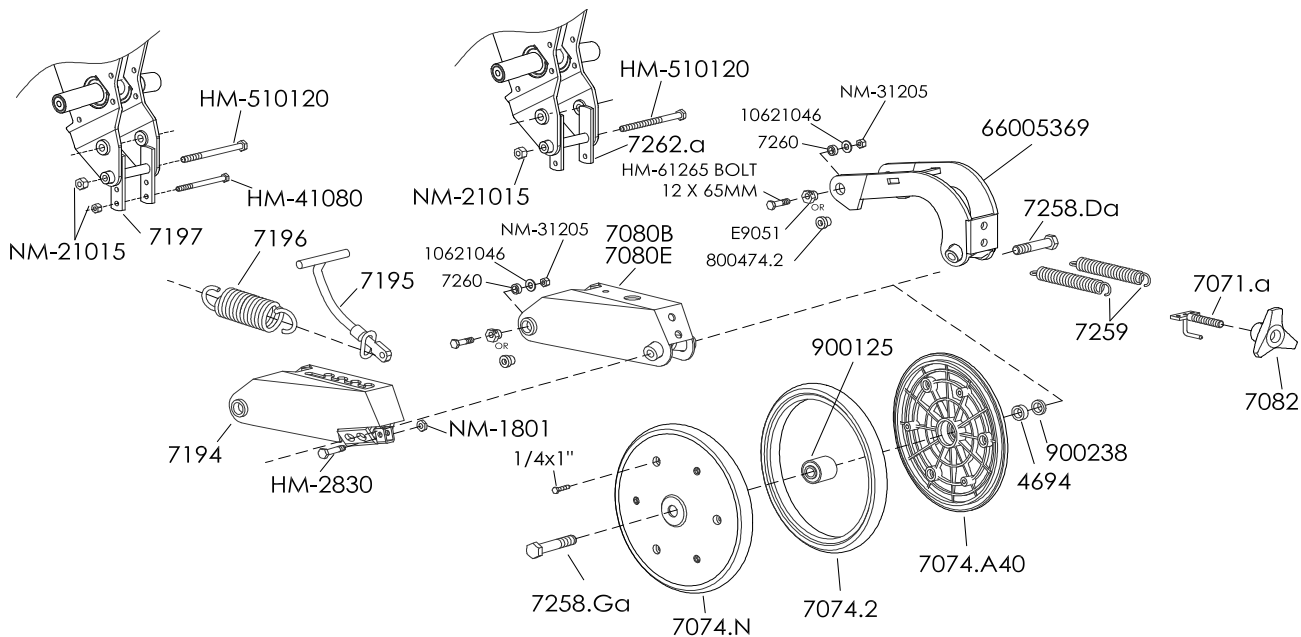
PART No.	DESCRIPTION
642031	Pair of hillers complete
7054	Scraper support bracket
7055.1A	Lefthand scraper
7055.2A	Righthand scraper
7056	Spring
7057	Spring support
7071	Tension rod
7075	Spring closing wheel
7082	Handwheel pressure control
11540.AMC	Wheel complete concave
11540.AM	Wheel complete crowned
900125	Bearing
900235	Bushing
900243	Mud scraper
10170066	Cotter pin, 5x 30

PART No.	DESCRIPTION
10562016	Carriage bolt, 10x 25
10621044	Washer, 13x 27x 1
10621055	Washer, 13x 30x 5
10629050	Washer, 18x 7x 27x 2
CB-2210	Carriage bolt, 3/8 -16x 1
H-3100	Bolt, 3/8 -16x 1
H-5651	Bolt, 5/8 -11x 6 1/2
HM-2830	Bolt, 8x 30 mm
HM-61260	Bolt, 12x 60 mm
N-2001	Nut, 3/8 -16 z
N-5101	Nylock, 5/8 -11
NM-1801	Nut, 8mm
NM-21015	Nylock, 10mm
NM-31205	Nylock, 12mm
W-2610	Lock washer, 3/8 z

ROW UNIT

NG Plus 4, Single Row

SINGLE ROW CLOSING WHEEL ASSEMBLY



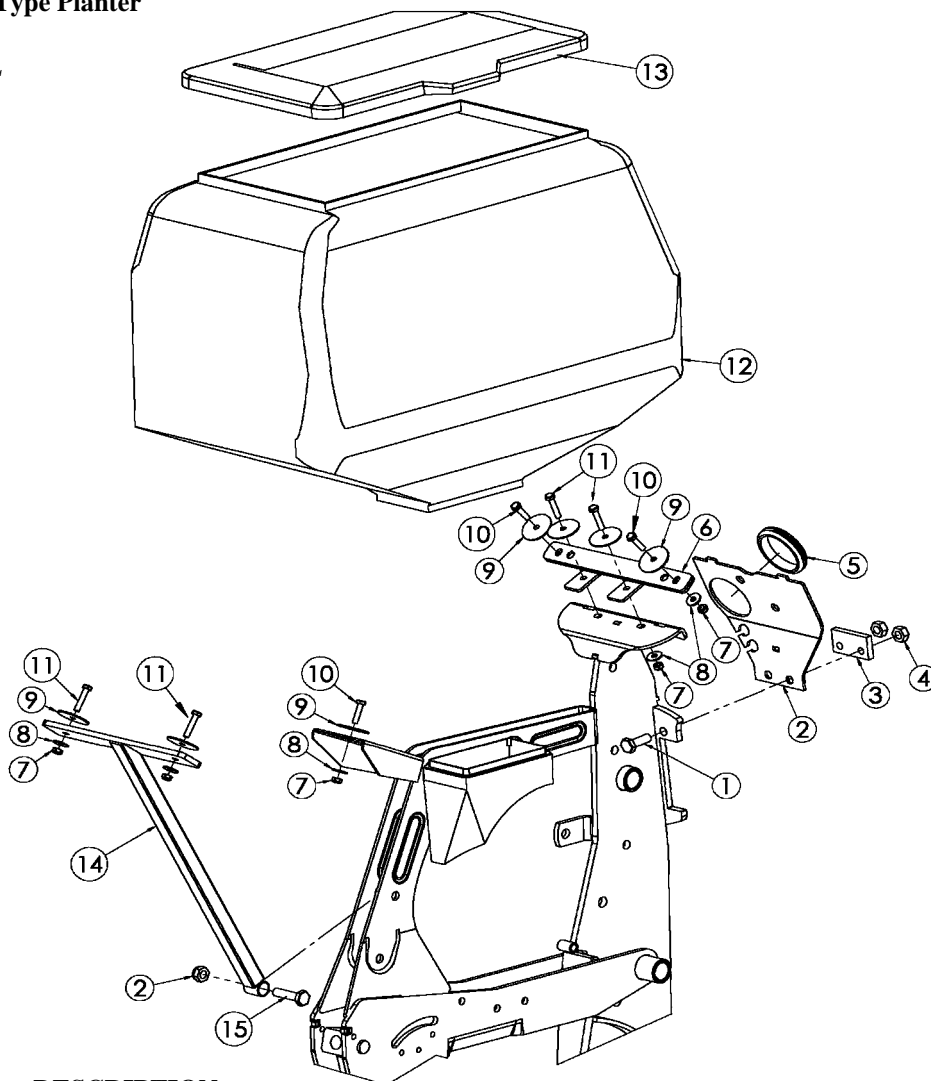
PART No.	DESCRIPTION
4694	Bushing 10mm
7071.A	Adjustment Rod 12mm
7074.2	Tire Only 1" x 12"
7074.A40	Nylon rim half
7074.N	Closing Whl Complete 1" x 12"
7080.E	Bracket for narrow and twin rows
7082	Handwheel
7194	Bracket for adj. closing wheel,
7195	T-Handle, Rear Closing Bracket
7196	Rear Unit Spring, T-Handle assy
7197	Spring support, T-Handle spring
7258.DA	M16 x 80 R.H.
7258.GA	M16 x 80 L.H.
7259	Spring
7260	Spacer bushing

PART No.	DESCRIPTION
7262.A	Spring support
800474.2	STRAIGHT BUSHING FOR 7 1/2 WHL
900125	Bearing 40mm
900238	Bushing 8mm
10621046	Washer M13 x 27 x 2
66005369	Bracket, adj closing wheel, open frame
E9051	Eccentric bushing
HM-2830	Bolt, 8-1.25 x 30 G8.8
HM-41080	Bolt, 10-1.5 x 80 G8.8
HM-510120	Bolt M10 x 120
HM-61245	Bolt M12 x 45
HM-61265	Bolt M12 x 65
NM-1801	Hex Nut, 8 x 1.25 G8.8
NM-21015	Nylock 10mm
NM-31203	Jam nut M12
NM-31205	12MM NYLON LOCK NUT G8.8

ROW UNIT

**NG Plus 4
7" x 7" Mounted and 24-Row Pull-Type Planter**

HOPPER ASSEMBLY- 3 BUSHEL



ITEM	PART No.	DESCRIPTION
1	HM-41030	Hex Head Bolt M10-1.5 x 30
2	20059176	Removable Faceplate NG+4
3	7124.A	Removable Stop NG+4
4	NM-21015	Nylock M10
5	10219093	Grommet for Vacuum Hose
6	900384	3 Bushel Hopper Front Brace
7	NM-0605	Nylock M6
8	10620041	Washer, 6.5x18x1.5mm
9	W-0415	Washer, 1/4" x 1.5" Stainless
10	HM-0620	Hex Head Bolt M6-1 x 20
11	HM-0630	Hex Head Bolt M6-1 x 30
12	7077.4	Seed Hopper 3 Bushel
13	7104.CO	Hopper Lid W/ Spring
14	900383	3 Bushel Hopper Rear Brace
15	HM-41040	Hex Head Bolt M10-1.5 x 40

7. OPTIONAL EQ.

7. 1. STACKER BAR ROW MARKERS

7. 2. AIR INSECTICIDE

7. 3. GRANULAR INSECTICIDE

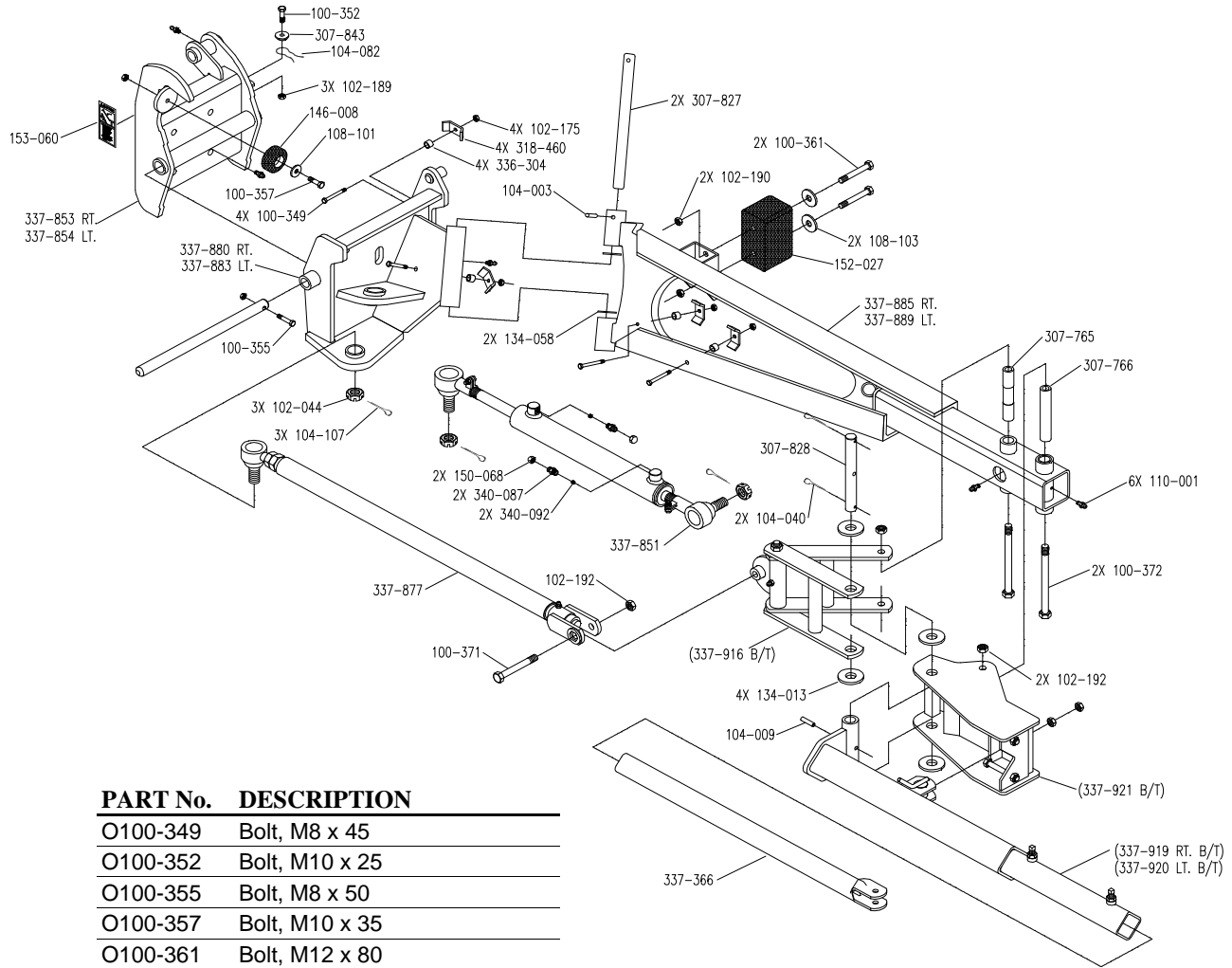
7. 4. MICROSEM INSECTICIDE

7. 5. DRY FERTILIZER

7. 7. LIQUID FERTILIZER

ROW MARKERS

8-row STACKER BAR Row Marker



PART No. DESCRIPTION

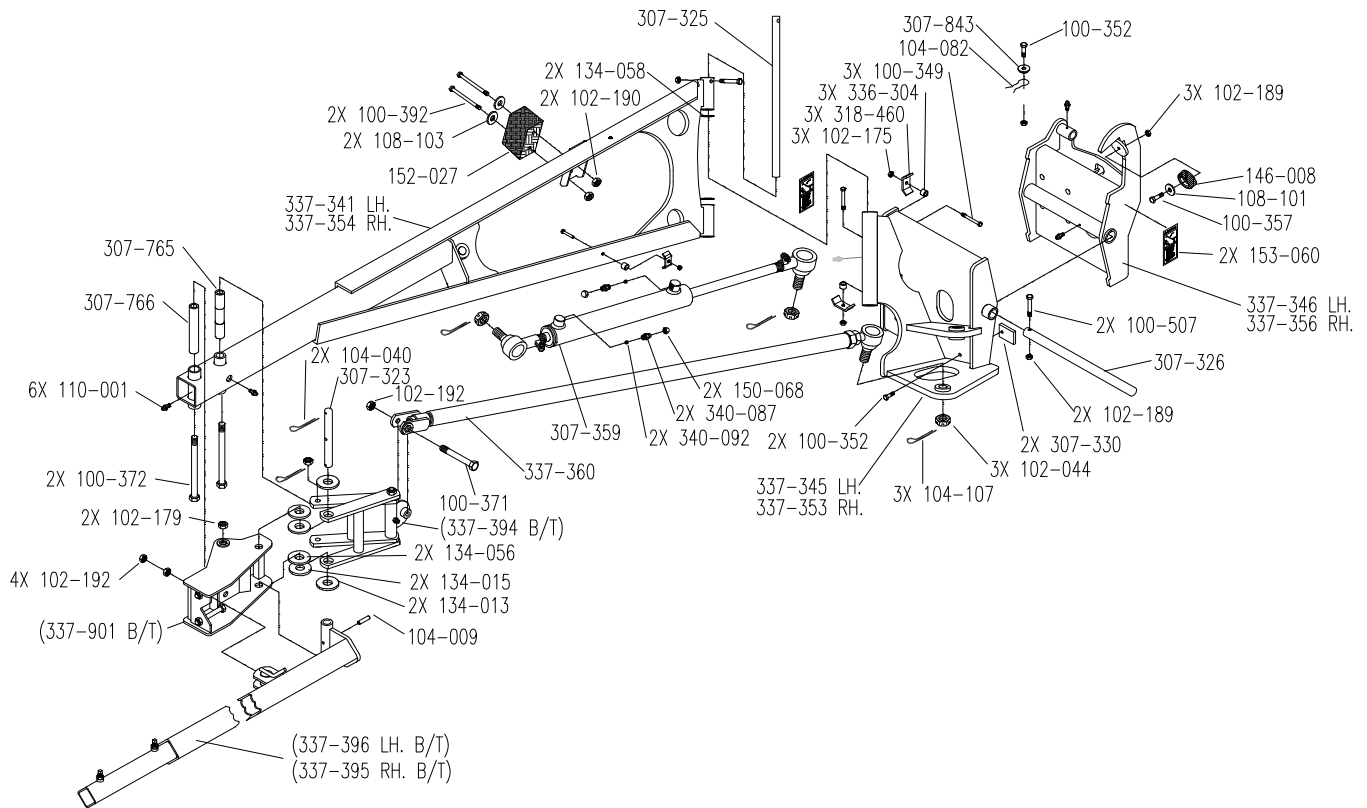
O100-349	Bolt, M8 x 45
O100-352	Bolt, M10 x 25
O100-355	Bolt, M8 x 50
O100-357	Bolt, M10 x 35
O100-361	Bolt, M12 x 80
O100-371	Bolt, M16 x 80
O100-372	Bolt, M16 x 200
O102-044	Slotted hex nut, 3/4-16
O102-175	Hex nut M8
O102-189	Lock nut M10
O102-190	Lock nut, M12
O102-192	Lock nut, M16
O104-003	Roll pin, 3/8 x 1 3/4
O104-009	Roll pin, 3/8x1 1/2
O104-040	Cotter pin, 1/4 x 2
O104-082	Hair pin clip, 51/64
O104-107	Cotter pin, 1/8 x 1 1/2
O108-101	Washer, M10.5 x 21 x 2
O108-103	Washer, M13 x 24 x 2.5
O110-001	Grease fitting, 1/4-28
O134-013	Bushing, 1 1/2 x 1 x 14Ga.
O134-058	Washer, 1"x2"x10Ga.
O146-008	Rubber bumper
O150-068	Cap nut, 7/16-20x1/4 tube
O152-027	Rubber bumper

PART No. DESCRIPTION

O307-765	Bushing
O307-766	Bushing
O307-827	Pin, 16 5/8"
O307-828	Pin, 8 5/8"
O307-843	Lock washer
O318-460	Strap
O336-304	Spacer
O337-366	Extension tube, 2" x 60", blue
O337-851	Hydraulic cylinder, blue
O337-853	Mounting bracket R.H., blue
O337-854	Mounting bracket L.H., blue
O337-877	Strut, blue
O337-880	Pivot R.H., blue
O337-883	Pivot L.H., blue
O337-885	Arm, R.H., blue
O337-889	Arm, L.H., blue
O340-087	Adapter, 7/16" tapped
O340-092	Restrictor, .046"

ROW MARKERS

12-row STACKER BAR Row Marker

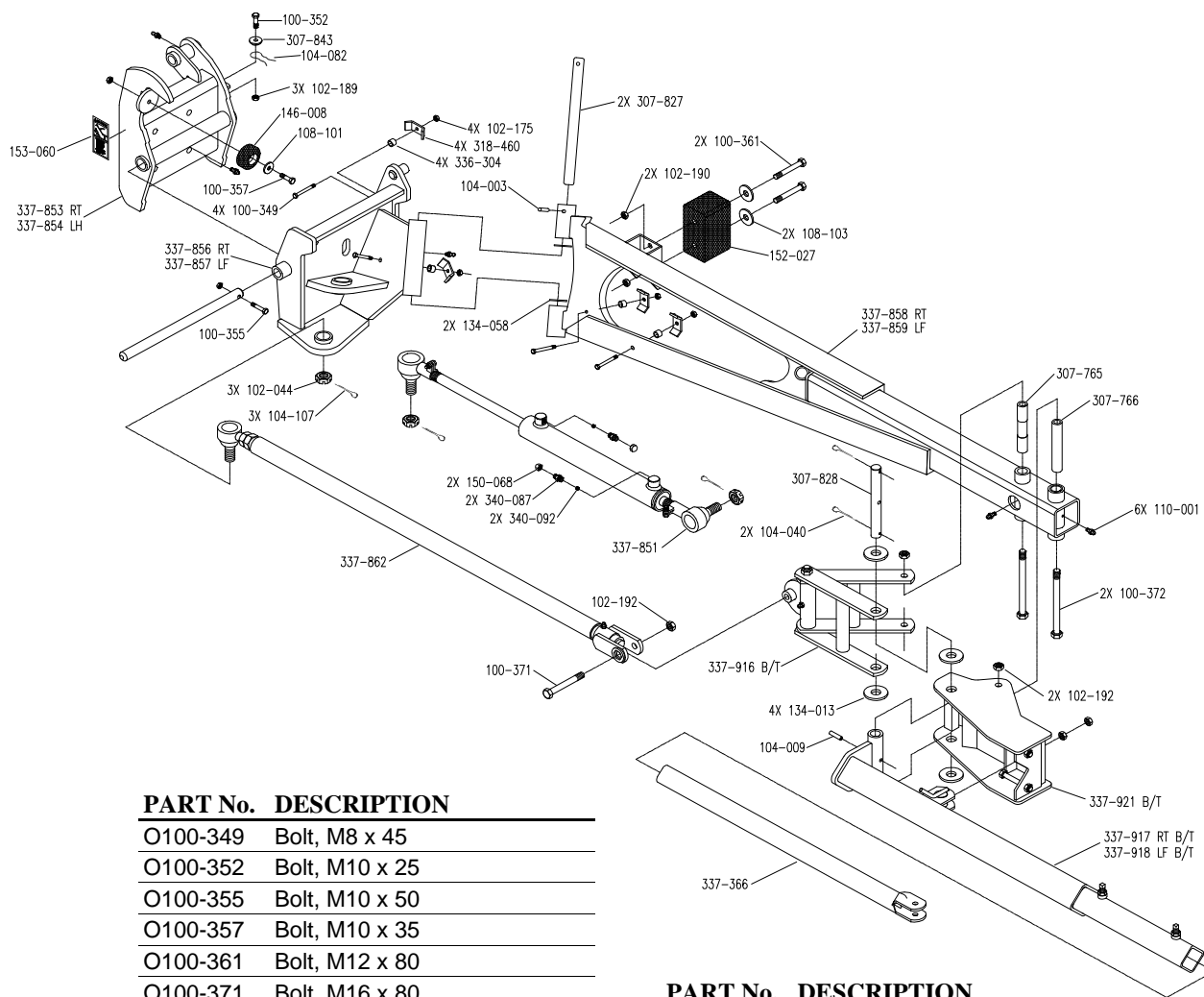


PART No.	DESCRIPTION
O100-349	Bolt, M8 x 45
O100-352	Bolt, M10 x 25
O100-357	Bolt, M10 x 35
O100-371	Bolt, M16 x 80
O100-372	Bolt, M16 x 200
O100-392	Bolt, M12 x 70
O100-507	Bolt, M10 x 55
O102-044	Hex nut, 3/4-16
O102-175	Hex nut, M8
O102-189	Lock nut, M10
O102-190	Lock nut, M12
O102-192	Lock nut, M16
O104-009	Roll pin, 3/8 x 1 1/2
O104-040	Cotter pin, 1/4 x 2
O104-082	Hair pin clip 51/64"
O104-107	Cotter pin, 1/8 x 1 1/2
O108-101	Washer
O108-103	Washer
O110-001	Grease fitting, 1/4-28 TPRT
O134-013	Bushing
O134-015	Bushing
O134-056	Washer
O134-058	Washer

PART No.	DESCRIPTION
O146-008	Rubber bumper
O150-068	Cap nut, 7/16-20
O152-027	Rubber bumper
O307-323	Pin
O307-325	Pin
O307-326	Pivot pin
O307-330	Mounting tab
O307-359	Hydraulic cylinder
O307-765	Bushing 6"
O307-766	Bushing 6"
O307-843	Lock washer
O318-460	Strap
O336-304	Spacer
O337-341	Arm L.H. ATI
O337-345	Pivot L.H., ATI
O337-346	Mounting bracket L.H. ATI
O337-353	Pivot R.H., ATI
O337-354	Arm R.H. ATI
O337-356	Mounting bracket R.H. ATI
O337-360	Strut, blue
O340-087	Adaptor, 7/16MB x 7/16MJ
O340-092	Restictor, 1/2-20 x 3/8 (.046)

ROW MARKERS

12-row 30" STACKER BAR Row Marker



PART No. DESCRIPTION

O100-349	Bolt, M8 x 45
O100-352	Bolt, M10 x 25
O100-355	Bolt, M10 x 50
O100-357	Bolt, M10 x 35
O100-361	Bolt, M12 x 80
O100-371	Bolt, M16 x 80
O100-372	Bolt, M16 x 200
O102-044	Slotted hex nut, 3/4-16
O102-175	Hex nut, M8
O102-189	Lock nut, M10
O102-190	Lock nut, M12
O102-192	Lock nut, M16
O104-003	Roll pin, 3/8 x 1 3/4
O104-009	Roll pin, 3/8 x 1 1/2
O104-040	Cotter pin, 1/4 x 2
O104-082	Hair clip pin, 5/164"
O104-107	Cotter pin, 1/8 x 1 1/2
O108-101	Washer, M10.5x21x2
O108-103	Washer, M13.5x24x2.5
O110-001	Grease fitting, 1/4-28 TPRT
O134-013	Bushing, 1 1/2" x 1" x 14GA
O134-058	Washer, 1 x 2 x 10GA
O146-008	Rubber bumper
O150-068	Cap nut, 7/16-20x1/4
O152-027	Rubber bumper

PART No. DESCRIPTION

O307-765	Bushing
O307-766	Bushing
O307-827	Pin
O307-828	Pin
O307-843	Lock washer
O318-460	Strap
O336-304	Spacer
O337-366	Extension tube, 2"x 60" blue
O337-851	Hydraulic cylinder, blue
O337-853	Mounting bracket R.H., blue
O337-854	Mounting bracket L.H., blue
O337-856	Pivot R.H., blue
O337-857	Pivot L.H., blue
O337-858	Arm R.H., blue
O337-859	Arm L.H., blue
O337-862	Strut, blue
O340-087	Adaptor
O340-092	Restrictor, 1/4-20x3/8 (.046")

US INSECTICIDE SYSTEM

GRANULAR APPLICATION RATES

The US Insecticide System is mounted to the planter unit and has a hand clutch to engage or disengage the metering mechanism for easy removal of the hopper. Be sure no foreign objects get into the hopper when it is being filled with product. Keep hopper lids on when not being filled to prevent accumulation of dirt or moisture in the hoppers.

Many things can affect the rate of delivery of granular chemicals such as temperature, humidity, speed, ground conditions, flow ability of different materials or any obstruction in the meter.

NOTE: Since the chemical meter is driven directly from the seed meter box, changing the seed population after calibrating will change the output of the chemical meter, even if ground speed remains constant.



WARNING! Agricultural chemicals can be dangerous. Improper use can result in injury to persons, animals and soil. Handle with care and follow directions supplied by the chemical manufacturer.

A field check is important to determine the correct application rates. The following method for calibrating is recommended:

1. Attach a plastic bag to each chemical meter outlet tube.

2. Lower the planter and drive 500 feet at the desired seeding population and speed.
3. Weigh (in ounces) the amount of chemical in one bag.
4. Multiply the number of ounces by the factor shown below for your row width.

Row Width	Factor
38"	1.7
36"	1.8
30"	2.2
22"	3

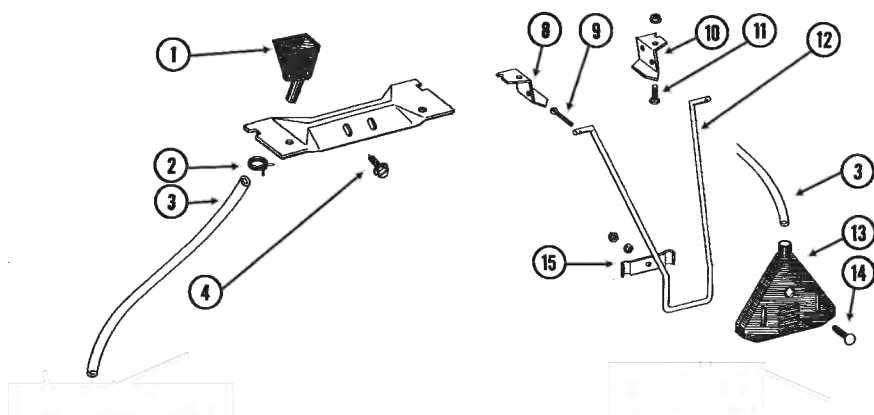
Example: You have driven 500 feet. Your row spacing is 30" and you have collected 4.5 ounces of material in a plastic bag. Multiply 4.5 by the factor 2.2. This would indicate that you are applying 9.9 lbs./acre.

If you do not have the desired amount of chemical per acre, adjust the metering gate accordingly. Zero for minimum output while 45 for maximum output. It is suggested that after a desired rate is achieved through calibration, you record the ground speed and transmission setting used for the calibration along with the chemical used for future reference.

NOTE: It is important to check calibration of all rows.

ATTENTION: Once you have the proper setting do not vary your planting speed as this will affect the output.

SPREADER TUBE ASSEMBLY

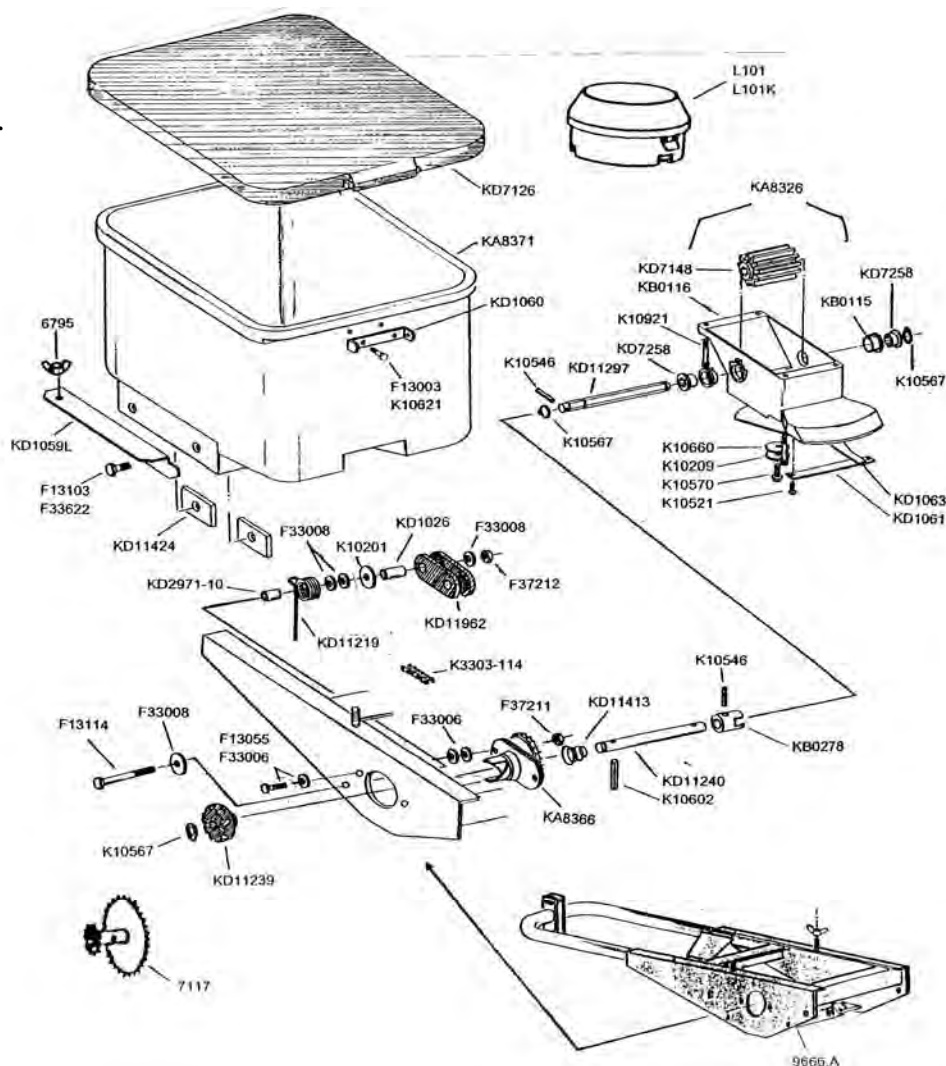


ITEM	PART No.	DESCRIPTION
1	KD2423	Funnel
2	K10680	Hose clamp
3	KD2947	Hose, precut, 7/16" x 28"
4	K10523	Self-tapping screw, 10 -24 x 1/2"
8	KD1115L	Hanger bracket, LH
9	K10452	Cotter pin, 1/8"x 1/2"
10	KD1115R	Hanger bracket, RH
11	K10310	Carriage bolt, 1/4" x 3/4"
	K10227	Lock washer, 1/4"
	K10103	Nut, 1/4"
12	KD8756	Hanger, standard length
13	KA2075	Diffuser, 14" band
14	K10306	Carriage bolt, 3/8" x 2"
	K10229	Lock washer, 3/8"
	K10101	Nut, 3/8"
15	KD118	Clamp plate

US INSECTICIDE SYSTEM

ASSEMBLY

Single Outlet Plastic Hopper



PART NO.	DESCRIPTION
6795	Wing nut, 8mm
7117	Double sprocket, 26-12 (replaces 7115)
9666.A	Frame to mount insecticide box
F13003	Bolt, 1/4-20 x 3/4"
F13055	Bolt, 5/16-18 x 1"
F13103	Bolt, 3/8-16 x 3/4"
F13114	Bolt, 3/8-16 x 2-3/4"
F33006	Flat washer, 5/16" USS
F33008	Flat washer, 3/8" USS
F33622	Lock washer, 3/8"
F37211	Lock nut, 5/16-18
F37212	Lock nut, 3/8-16
K10201	Special washer, 3/8" x 1-1/2" OD
K10209	Washer, 1/4" USS
K10521	Self tapping screw, No.10 x 3/8"
K10546	Roll pin, 3/16" x 1-1/4"
K10567	Retaining ring, 5/8"
K10570	Self tapping screw, 1/4" x 3/4"
K10602	Roll pin, 1/4" x 1-1/2"
K10621	Flange nut, 1/4-20
K10660	Wave washer, 1/2"
K10921	Hex socket head bolt, 10-24 x 7/8"
K3303-114	link
K7767X	Complete hopper with meter, clutch

PART NO.	DESCRIPTION
KA8326	Meter box assembly, complete
KA8366	Lock out clutch assembly, complete
KA8371	Hopper
KB0115	Bearing
KB0116	Granular housing
KB0278	Coupler
KD1026	Spacer, 1-3/16" long
KD1059L	Support, left hand(shown)
KD1059R	Support, right hand
KD1060	Hinge
KD1061	Support strap
KD1063	Metering gate
KD11219	Spring
KD11239	Knob
KD11240	Shaft
KD11297	Shaft
KD11413	Spring
KD11424	Block with threaded hole, 3/8-16
KD11962	Idler
KD2971-10	Spacer, 9/16" long
KD7126	Lid
KD7148	Feed roller, hex bore
KD7258	Hex bushing
L101	Lock-n-load valve only
L101K	Lock-n-load valve mntd on lid #KD7126 meter box to drive insect. meter assy

MICROSEM MICROGRANULAR INSECTICIDE SYSTEM _____

Single Row Planters



STANDARD MICROSEM SYSTEM

The microsem system meters microgranular products such as insecticide and herbicide with precision. The system is ground driven and has a positive displacement. The output is set by means of a transmission that is unaffected by a change in planting speed. The microsem system is mounted to the toolbar frame with support brackets to reduce weight on the planter unit. The microsem system with auger is equipped with a telescoping outlet, and its output starts from a minimum of 2-3 lbs/acre.

Each microsem hopper has a 33 lb. capacity and can be used with a double outlet for two row units or with a single outlet for one row unit.

The drive sprocket is mounted on the upper hex shaft. The hoses direct the granular product directly between the disc openers via drop tubes, or behind the disc openers via a spreader tube.

TROUBLE SHOOTING

PROBLEM:

Variations between the outlets or metering boxes.

POSSIBLE CAUSE:

- There may be foreign material mixed with the product
- **ATTENTION** there may be moisture in the product.
- The metering unit may have been assembled improperly.
- The outlet chute may be warped.
- The hose may be too long or bent, causing the hose to clog.

INSECTICIDE DROP TUBE

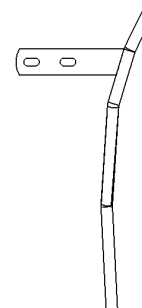
7085.DA Mounts on the right hand side of the unit, with the same bolts that attach the disc scraper. It deposits material down in the seed trench behind the seed tube. The top of the tube points straight up.



7085.GA Mounts on the left hand side of the unit, with the same bolts that attach the disc scraper. It deposits material down in the seed trench behind the seed tube. The top of the tube points straight up.



7085.SS Mounts on the left hand side of the unit, with the same bolts that attach the disc scraper. It deposits material down in the seed trench behind the seed tube. The top of the tube curves towards the rear to accept the feeder hose from the Air Insecticide System.

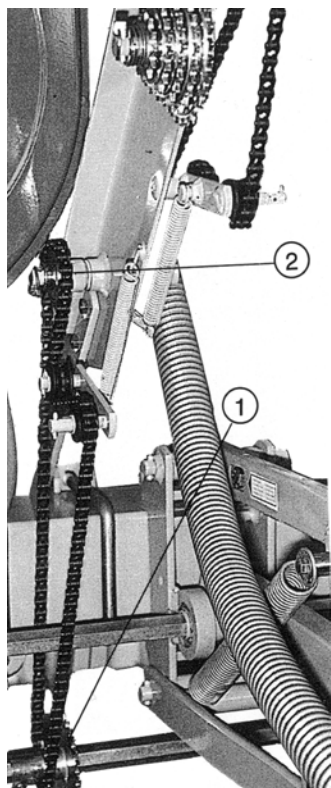


MICROSEM MICROGRANULAR INSECTICIDE SYSTEM

Single Row Planters

SETTING THE OUTPUT

The output is a function of the number of rotations of the spindle of the metering boxes, which is set primarily with the double sprocket (1) and the interchangeable sprockets (2). The chart provided will assist with the setting and also indicates the sprockets to be used for the principle commercial products. The furnished information is a recommendation only.



NOTE: Avoid moisture contamination. Moisture in the product will cause hardening and could cause chain breakage. To avoid this problem, empty hoppers and store in a dry place.

NOTE: This unit should be used only with microgranulars and not with powders or granulates. It is possible to meter large granulars provided the inside auger is changed for a special one.



WARNING Agricultural chemicals can be dangerous. Improper use can result in injury to persons, animals and soil. Handle with care and follow instructions of the chemical manufacturer.

HOW TO TEST FOR INSECTICIDE RATES

Measure out a distance of 328 feet (100m).

Set the sprocket combination to: A=12, B=30, C=12. (This ratio = 0.24 or the number of Microsem shaft rotations for 1 drive wheel rotation.)

Remove the hoses from a 2 outlet hopper, placing a bag or other container to catch the product. Put the product into the Microsem hopper. Engage the Microsem and drive forward the pre-measured distance. Weigh the amount of product caught in the container and convert to grams.

Ounces x 31.103481 = grams
 Inches x 2.54 = cm

Use the following formula:

$$\text{Output} = \frac{10 \times \text{quantity weighted (g)}}{\text{Inter-rows (cm)} \times 2}$$

Example:

Inter-rows = 60 cm (23.63")
 Quantity weighed = 60 grams (1.929 oz)

If you require 8 kg/ha or 8 lb/acre, choose the ratio
 $\frac{8}{5} \times 0.24 = 0.384$
 A=12, B=18, C=12


If you require 11 kg/ha or 11 lb/acre, choose the ratio
 $\frac{11}{5} \times 0.24 = 0.528$
 A=12, B=22, C=20

$$\text{Output} = \frac{10 \times 60}{60 \times 2} = 5 \text{ kg/ha or } 5 \text{ lb/acre}$$

From the following chart, find the closest sprocket combination to achieve appropriate lbs/acre.

Note: Because of the large variety of insecticides and its density and irregularity of granulars, it is impossible to provide an exact chart. This is a close approximation only.

MICROSEM MICROGRANULAR INSECTICIDE SYSTEM

Possible Sprocket Combinations			Ratios Obtained	
A	B	C		
12	35	12	----- 0.21	<p>Less Product</p> 
12	32	12	----- 0.22	
12	30	12	----- 0.24	
12	25	12	----- 0.29	
12	22	12	----- 0.33	
12	20	12	----- 0.36	
12	18	12	----- 0.40	
12	16	12	----- 0.45	
12	15	12	----- 0.48 or	
12	25	20	----- 0.48	
12	23	20	----- 0.51	
12	22	20	----- 0.54	
12	21	20	----- 0.57	
12	12	12	----- 0.60	
12	24	12	----- 0.63	
12	18	21	----- 0.66	
25	22	12	----- 0.68	
12	10	12	----- 0.72	
25	20	12	----- 0.75	
12	15	20	----- 0.80	
25	18	12	----- 0.83	
25	16	12	----- 0.94	
25	15	12	----- 1 or	
12	12	20	----- 1	
25	22	20	----- 1.13	
12	10	20	----- 1.20	
25	12	12	----- 1.25	
25	18	20	----- 1.40	
25	10	12	----- 1.50	
25	15	20	----- 1.66	
25	12	20	----- 2.08	
25	10	20	----- 2.50	

Note: The bold sprocket numbers for the interchangeable B sprocket are standard.

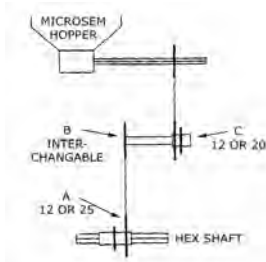
The remaining sprockets for the interchangeable B sprocket are available on request. (13-14-16-23-26-35)

More Product

MICROSEM MICROGRANULAR INSECTICIDE SYSTEM

MICROSEM SETTING CHART - Drive sprockets to be used

These settings are theoretical and approximate. Actual output may vary. Other outputs can be obtained by using different sprocket arrangements of the Microsem drive, however travel speed variations will not affect the output.



- A** = Double sprocket on hex shaft - driven 1
- B** = Interchangeable sprocket - driven 2
- C** = 12 or 20 tooth sprocket

	A / B / C	A / B / C	A / B / C	A / B / C	A / B / C	A / B / C	A / B / C	A / B / C
#'s per acre	5.35	6.42	7.22	8.03	9.82	11.15		
THIMET 22"	12 / 18 / 12	12 / 15 / 12	12 / 22 / 20	12 / 12 / 12	12 / 15 / 20	25 / 18 / 12		
20G 30"	12 / 22 / 20	12 / 18 / 20	25 / 20 / 12	25 / 18 / 12	25 / 15 / 12	25 / 22 / 20		
36"	12 / 18 / 20	12 / 15 / 20	25 / 16 / 12	25 / 15 / 12	25 / 12 / 12			
40"	25 / 22 / 12	25 / 18 / 12	25 / 15 / 12	25 / 22 / 20				

#'s per acre	5.00	6.50	8.10	9.30	10.00	11.40	13.50
DASANIT 22"		12 / 12 / 12	25 / 22 / 12	12 / 15 / 20	25 / 18 / 12	25 / 15 / 12	25 / 22 / 20
15G 30"	12 / 18 / 20	25 / 20 / 12	25 / 18 / 12	25 / 15 / 12	25 / 22 / 20	25 / 18 / 20	
36"	25 / 22 / 12	25 / 16 / 12	25 / 22 / 20	25 / 12 / 12	25 / 18 / 20	25 / 15 / 20	
40"	25 / 20 / 12	25 / 15 / 12	25 / 12 / 12	25 / 18 / 20	25 / 15 / 20	25 / 14 / 20	

#'s per acre	5.85	6.50	7.20	8.70	9.70	10.80	12.30	14.50
FURADAN 22"		12 / 25 / 12	12 / 22 / 12	12 / 20 / 12	12 / 18 / 12	12 / 22 / 12	12 / 15 / 12	12 / 12 / 12
15G 30"	12 / 22 / 12	12 / 20 / 12	12 / 18 / 12	12 / 15 / 12	12 / 22 / 20	12 / 12 / 12	25 / 22 / 12	12 / 15 / 20
36"	12 / 18 / 12	12 / 16 / 12	12 / 15 / 12	12 / 12 / 12	12 / 18 / 20	25 / 22 / 12	12 / 15 / 20	25 / 15 / 12
40"	12 / 16 / 12	12 / 15 / 12	12 / 22 / 20	12 / 18 / 20	25 / 22 / 12	12 / 15 / 12	25 / 15 / 12	

#'s per acre	5.40	7.13	8.91	10.70	12.50	14.25	16.04
COUNTER 15G 22"	12 / 18 / 12	12 / 22 / 20	25 / 22 / 12	25 / 18 / 12	25 / 15 / 12	25 / 22 / 20	25 / 12 / 12
LORSBAN 15G 30"	12 / 22 / 20	12 / 15 / 20	25 / 15 / 12	25 / 22 / 20	25 / 18 / 20	25 / 16 / 20	25 / 15 / 20
36"	12 / 18 / 20	25 / 16 / 12	25 / 22 / 20	25 / 18 / 20	25 / 15 / 20	25 / 14 / 20	25 / 12 / 20
40"	12 / 15 / 20	25 / 15 / 12	25 / 12 / 12	25 / 15 / 20	25 / 14 / 20	25 / 12 / 20	

#'s per acre	17.82	19.60	21.40	23.20
COUNTER 15G 22"	25 / 18 / 20	25 / 16 / 20	25 / 15 / 20	25 / 14 / 20
LORSBAN 15G 30"	25 / 14 / 20	25 / 12 / 20		

MICROSEM MICROGRANULAR INSECTICIDE SYSTEM

MICROSEM SETTING CHART - Drive sprockets to be used

These settings are theoretical and approximate. Actual output may vary. Other outputs can be obtained by using different sprocket arrangements of the Microsem drive, however travel speed variations will not affect the output.

	A / B / C	A / B / C	A / B / C	A / B / C	A / B / C	A / B / C	A / B / C	A / B / C
#'s per acre	3.56	8.90	10.95	13.35	17.80	22.25	26.70	
TEMIK 15G 22"		12 / 18 / 12	12 / 15 / 12	12 / 22 / 20	12 / 15 / 20	25 / 15 / 12	25 / 22 / 20	
GYPSUM 30"		12 / 22 / 20	12 / 18 / 20	12 / 15 / 20	25 / 12 / 12	25 / 18 / 20	25 / 15 / 20	
36"		12 / 18 / 20	12 / 15 / 20	25 / 12 / 12	25 / 20 / 20	25 / 15 / 20	25 / 12 / 20	
40"	12 / 25 / 12	25 / 22 / 12	25 / 18 / 12	25 / 15 / 12	25 / 18 / 20	25 / 12 / 20	25 / 12 / 20	

#'s per acre	1.78	4.45	8.90					
TEMIK 15 G 22"		12 / 15 / 12	25 / 12 / 12					
CORNCOB 30"	12 / 25 / 12	25 / 22 / 12	25 / 18 / 20					
GRIT 36"	12 / 22 / 12	12 / 15 / 20	25 / 15 / 20					
40"	12 / 18 / 12	25 / 15 / 12	25 / 12 / 20					

#'s per acre	2.70	3.20	3.70	4.50	5.60	6.70	7.80	9.40
ZENECA 22"	12 / 25 / 12	12 / 22 / 12	12 / 18 / 12	12 / 15 / 12	12 / 12 / 12	25 / 22 / 12	25 / 18 / 12	25 / 15 / 12
FORCE 30"	12 / 18 / 12	12 / 15 / 12	12 / 22 / 20	25 / 22 / 12	12 / 15 / 20	25 / 15 / 12	25 / 22 / 20	25 / 18 / 20
3G 36"	12 / 15 / 12	12 / 22 / 20	12 / 18 / 20	12 / 15 / 20	25 / 15 / 12	25 / 22 / 20	25 / 18 / 20	25 / 15 / 20
38"	12 / 23 / 20	12 / 12 / 12	25 / 22 / 12	25 / 18 / 12	25 / 15 / 12	25 / 12 / 12	25 / 10 / 12	

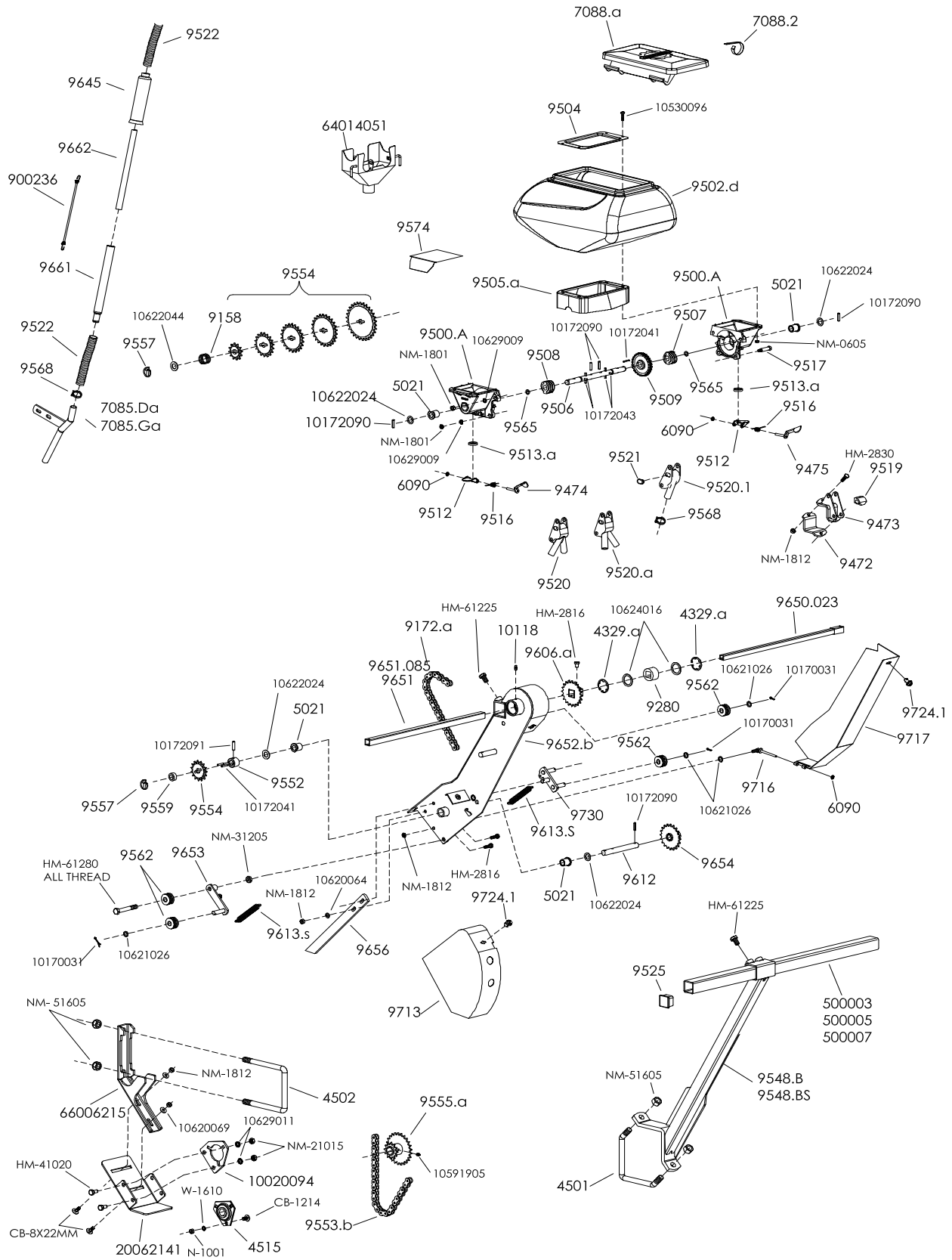
#'s per acre	3.40	4.00	4.60	4.90	5.50	6.70	8.10	10.10
RIDOMIL 22"	12 / 22 / 12	12 / 18 / 12	12 / 16 / 12	12 / 15 / 12	12 / 22 / 20	12 / 18 / 20	12 / 15 / 20	25 / 15 / 12
GOLD GR 30"	12 / 16 / 12	12 / 15 / 12	12 / 22 / 20	12 / 18 / 20	25 / 20 / 12	25 / 18 / 12	25 / 22 / 12	25 / 18 / 20
PC11G 36"	12 / 22 / 20	25 / 24 / 12	12 / 18 / 20	12 / 15 / 20	25 / 18 / 12	25 / 22 / 20	25 / 12 / 12	25 / 15 / 20
38"	12 / 21 / 20	25 / 22 / 12	25 / 22 / 12	25 / 18 / 12	25 / 15 / 12	25 / 22 / 20	25 / 18 / 20	

#'s per acre	3.10	3.50	4.20	5.10	5.70	7.00	8.50	10.60
GOLD PC 22"	12 / 25 / 12	12 / 22 / 12	12 / 18 / 12	12 / 15 / 12	12 / 22 / 20	12 / 18 / 20	12 / 15 / 20	25 / 15 / 12
30"	12 / 18 / 12	12 / 16 / 12	12 / 22 / 20	12 / 18 / 20	25 / 20 / 12	25 / 18 / 12	25 / 22 / 20	25 / 20 / 12
36"	12 / 15 / 12	12 / 22 / 20	12 / 18 / 20	12 / 15 / 20	25 / 18 / 12	25 / 22 / 20	25 / 12 / 12	12 / 12 / 12
38"	12 / 23 / 20	12 / 21 / 20	25 / 22 / 12	25 / 18 / 12	25 / 16 / 12	25 / 22 / 20	25 / 18 / 20	

#'s per acre	13.50	16.00	20.00	22.40				
AMEBIN 22"	25 / 18 / 12	25 / 15 / 12	25 / 12 / 12	25 / 18 / 20				
30"	25 / 22 / 20	25 / 18 / 20	25 / 15 / 20					
36"	25 / 18 / 20	25 / 15 / 20	25 / 12 / 20					
40"	25 / 12 / 12	25 / 13 / 20						

MICROSEM INSECTICIDE ASSEMBLY

MICROSEM ASSEMBLY- for Single Row Planters



MICROSEM INSECTICIDE ASSEMBLY

MICROSEM ASSEMBLY- for Single Row Planters

PART No.	DESCRIPTION	PART No.	DESCRIPTION
4329 . a	Snapping	9612	pins)
4501	V BOLT 5 X 5, 16MM	9613 . S	Spring, Chain Tightener H.D.
4502	U BOLT 5 X 5, 16MM	9645	Protective Sleeve
4515	BEARING AND FLANGETTE	9650 . O23	LINKAGE
5021	Self lubricated bushing	9651 . O85 Drive shaft(outer), 33-1/2" long	
6090	Snapping, 6mm	9652 . b	Support Bracket
7085 . da	Drop tube, right hand	9653	CHAIN TIGHTENER
7085 . ga	Drop tube, left hand	9654	DOUBLE INTERMEDIATE SPRKT 12-20T
7088 . 2	Clip, for hopper lid	9656	Support arm (for drive frame)
7088 . a	Lid, hopper, with clip (7088.2)	9661	Female half of sliding drop tube assy
9158	Spring (holds on extra sprockets)	9662	Male half of sliding drop tube assy
9172 . a	Chain, 5R(106 links w/conn. link)	9713	
9280	Bushing, nylon w/square hole	9716	Pivot pin weldment
9472	Clamp Mounting Bracket, Bottom (9523 Complete)	9717	Shield for drive chain
9473	Clamp Mounting Bracket, Top (9523 Complete)	9724 . 1	Shield keeper bolts
9474	LEVER LIFT	9730	
9475		10118	Grease zerk, 6mm, straight
9500 . a	HALF HOUSING MICROSEM METER	500003	MICROSEM TOOLBAR 2M50
9502 . d	Plastic hopper only, 25 liter, -'03	500005	MICROSEM TOOLBAR 3M50
9504	Steel base (hopper to meter)	500007	MICROSEM TOOLBAR 4M50
9505 . a	Rubber skirt	900236	BUNGI CORD 5/32 X 10
9506	pins)	10020094	
9507	Worm gear, lft(reqrs 6x25 roll pin)	10170031	Split Pin, 3.5 x 25
9508	Worm gear, rht(reqrs 6x25 roll pin)	10172041	Roll pin, 4 x 25
9509	Central metering gear(requires 4x25 roll pin)	10172043	Roll pin, 4 x 36
9512	TRAP DOOR	10172090	Roll pin, 6 x 25
9513 . a	SEAL TRAP DOOR	10172091	Roll Pin 6 x 30
9516	Spring for trap door	10219099	
9517	Bolt (fastens housings together)	10530096	SCREW 6X25, PHILLIPS HEAD
9519	Rubber plug	10591905	
9520	Two outlet chute (towards the front)	10603016	Jam Nut 16-2.0Metric
9520 . 1	Single outlet	10620064	Washer, 8.5 x 16 x 2
9520 . a	Two outlet chute (towards the rear)	10620069	WASHER 8.5X20X1.5
9521	Rubber plug for side of chute	10621026	Washer, 13 x 18 x 2mm
9522	Hose (specify length)	10622024	Washer, 16 x 26 x 1
9525	END CAP MICROSEM BAR	10622044	Washer, 17 x 30 x 2
9548 . b	SUPPORT BAR INSECTICIDE	10624016	Washer, 31 x 41 x 2mm
9548 . bs	SUPPORT BAR INSECTICIDE 7X7	10629009	Lock Washer, ext tooth 8mm
9552	Bushing, requires 2-4x25 & 1-6x30 roll pin	10629011	Lock Washer, Ext tooth 10mm
9553 . b	Chain microsem drive	20062141	
9554 . 3	Sprocket, 12 tooth, 5R(standard)	64014051	Clean out Chute
9554 . 4	Sprocket, 13 tooth, 5R	66006215	
9554 . 5	Sprocket, 14 tooth, 5R	CB-1214	5/16-18 X 1-1/4 CARRIAGE G5 Z
9554 . 6	Sprocket, 15 tooth, 5R(standard)	HM-2816	Hex Bolt, 8-*1.25 x 16 G8.8
9554 . 7	Sprocket, 16 tooth, 5R	HM-2816	Hex Bolt, 8-1.25 x 16 G8.8
9554 . 9	Sprocket, 18 tooth, 5R(standard)	HM-2830	Hex Bolt, 8-1.25x30 G8.8
9554 . 11	Sprocket, 20 tooth, 5R	HM-41020	HEX BOLT 10-1.5 X 20 G8.8
9554 . 13	Sprocket, 22 tooth, 5R(standard)	HM-61225	Hex bolt, 12 x 25
9554 . 16	Sprocket, 25 tooth, 5R(standard)	HM-61280	HEX BOLT 12-1.75 X 80 G8.8
9554 . 21	Sprocket, 30 tooth, 5R(standard)	N-1001	5/16-18 FIN HEX NUT G5 ZY
9554 . 26	Sprocket, 35 tooth, 5R	NM-0605	Nylon Lock Nut, 6mm G8.8
9555 . a	Double sprocket, 12-25 tooth, 5R(hex bore)	NM-1801	8 X 1.25 HEX NUT G8.8
9557	Lynch pin, small(6mm)	NM-1812	Nylon Lock Nut, 8mm G8.8
9559	Bushing (17mmID x 25mmOD, 10mm long)	NM-21015	10MM NYLON LOCK NUT G8.8
9562	Chain Roller (G12AS)	NM-31205	Nylon Lock Nut, 12mm G8.8
9565	Rubber O-ring	NM-51605	NYLON LOCK NUT 16 MM G8.8
9568	Hose clamp (for 9522)	W-1610	5/16 LOCK WASHER YZ G8
9574	Plate for hopper (to convert to single outlet)		
9606 . a	Sprocket, 20 tooth, 5R, top dr shaft(square)		

LIQUID FERTILIZER

3-point Mounted Planters

DELIVERY RATE CHART

The following delivery rate chart provides an approximate application rate only. Actual delivery will vary with temperature and the type of fertilizer being used.

Chart is shown in gallons per acre. This chart is for a pump with a 1/2" hose. For settings with a 5/16" hose, cut gal/acre in half.

8 Tooth Driver Sprocket

Sprocket					
Part #	Driven	40"	38"	36"	30"
L-1383	8	21.9	23.1	23.9	29
L-1384	9	19.1	20.4	21.0	25.3
L-1385	10	17.2	18.3	18.9	22.7
L-1386	15	11.4	12.1	12.5	15.
L-1381	20	8.6	9.1	9.4	11.3
L-1387	22	7.7	8.2	8.5	10.2
L-1388	23	7.5	8.0	8.3	9.6
L-1389	26	6.7	7.1	7.3	8.8
L-1390	30	5.8	6.2	6.4	7.7
L-1391	31	5.6	5.9	6.1	7.4
L-1392	32	5.5	5.8	6	7.3

Gallons per Acre

15 Tooth Driver Sprocket

L-1383	8	40.0	43.0	44.5	53.3
L-1384	9	35.9	38.2	39.5	47.4
L-1385	10	32.2	34.3	39.5	42.6
L-1386	15	21.5	22.9	23.6	28.4
L-1381	20	16.1	17.1	17.7	21.3
L-1387	22	14.6	15.6	16.1	19.3
L-1388	23	14.0	14.9	15.4	18.4
L-1389	26	12.5	13.3	13.7	16.5
L-1390	30	10.7	11.4	11.8	14.2
L-1391	31	10.3	11.0	11.3	13.6
L-1392	32	10.1	10.7	11.1	13.3

Gallons per Acre

OPTIONAL PISTON PUMP

If the machine is equipped with the piston pump option, the rate of liquid fertilizer application is determined by the piston pump settings.

To adjust delivery rate, loosen the 3/8" lock nut that secured the arm with the pointer and rotate the scale flange until the pointer is over the desired scale setting. The adjustment wrench will facilitate rotation of the scale flange. Tighten the 3/8" lock nut being careful not to over tighten.



CLEANING

The tanks and all hoses are made of sturdy plastic and rubber to resist corrosion. However, the tanks, hoses and metering pump should be thoroughly cleaned with water at the end of the planting season or prior to an extended period of non-use. Do not allow fertilizer to crystallize due to cold temperature or evaporation.

On machines equipped with the piston pump, the strainer located between the piston pump and ball valve should be taken apart and cleaned daily. Remove the end cap to clean the screen

PISTON PUMP STORAGE

KEEP AIR OUT OF THE PUMP! This is the only way to prevent corrosion. Even for short periods of storage, the entrance of air into the pump will cause **RAPID AND SEVERE CORROSION.**

Overnight Storage

Suspension Fertilizer must be flushed from the pump for ANY storage period.

Winter Storage

1. Flush pump thoroughly with 5 to 10 gallons of fresh water and circulate until all corrosive salts are dissolved in the pump.
2. With the pump set on 10, draw in a mixture of half diesel fuel and half 10 weight oil until the discharge is clean. Then plug inlet and outlet

LIQUID FERTILIZER

3-point Mounted Planters

PISTON PUMP APPLICATION RATES

Pump Setting	2	3	4	5	6	7	8	9	10
4-row 30"	13	19	26	32	38	45	51	58	64
4-row 36"	11	16	21	27	32	37	43	48	54
4-row 38"	10	15	20	26	30	35	41	46	51
6-row 30"	9	13	17	21	25	30	35	39	43
6-row 36"	7	11	14	18	21	25	29	32	36
6-row 38"	7	10	13	17	20	24	27	31	34
8-row 30"	7	10	13	16	19	23	26	29	32
8-row 36"	5	8	11	13.5	16	19	21.5	24	27
8-row 38"	5	7	10	13	15	18	20	23	25
12-row 30"	4	6.5	8.5	11	13	15	17	19.5	21
12-row 36"	4	5.5	7	9	11	12.5	14.5	16	18
12-row 38"	3	5	6.5	8.5	10	12	13.5	15	17

The above chart is for planters equipped with ground drive wheels that have 7.60 x 15 tires, 26 tooth drive sprocket, and a 22 tooth driven. This chart is based on average wheel slippage and liquid viscosities. This chart is also based on standard pump sprockets of 30 tooth drive and 16 tooth driven. Other sprockets are available.

Measure and weigh one gallon of actual fertilizer solution to determine exact application rates. This chart was calculated based on a solution weighing 10 pounds per gallon.

IMPORTANT: Fertilizer application rates can vary from the above chart. To prevent application miscalculation, make field checks to be sure you are applying fertilizer to all rows at the desired rate.

NOTE: Flow to all rows should be checked periodically. If one or more lines are plugged, the desired rate will be delivered to the remaining rows keeping total application rate at desired rate.

To check the exact number of gallons your fertilizer attachment will actually deliver on 30" row spacing, proceed as follows:

1. Remove the hose from one of the fertilizer openers and insert it into a collection container that has been secured to the planter frame.
2. Engage the fertilizer attachment and drive forward for 174'.
3. Measure the fluid ounces caught in the container and multiply that amount by 100.
4. Divide that amount by 128.
5. The result will be the gallons of fertilizer delivered per acre when planting in 30" rows. Rinse the collection container and repeat test on other rows if necessary. To convert this delivery rate for wider rows, multiply by the following conversion factors:

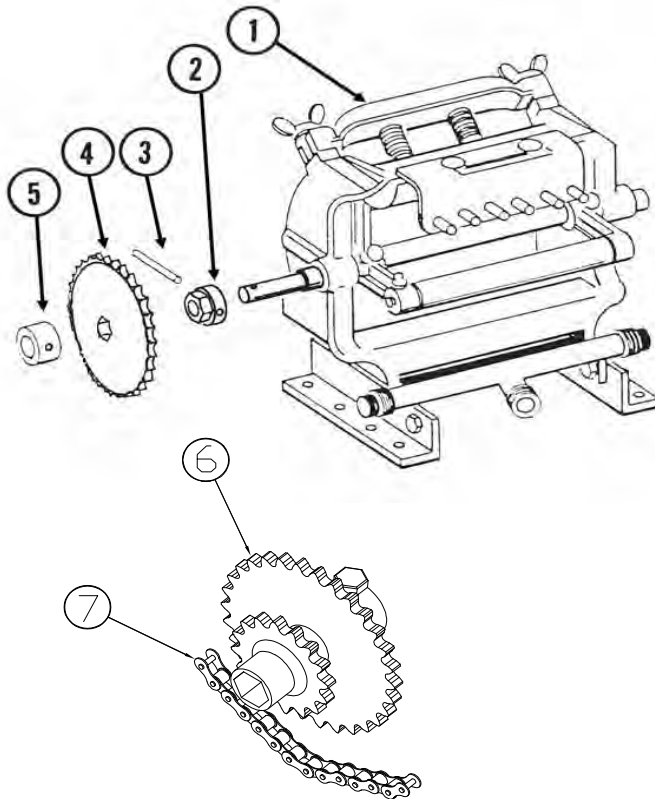
For 36" rows, multiply by .83 by result

For 38" rows, multiply by .79 by result

LIQUID FERTILIZER

3-point Mounted Planters

SQUEEZE PUMP ASSEMBLY



ITEM	PART No.	DESCRIPTION
1	JBL6C	SQUEEZE PUMP 2 - 6 ROWS
	JBL8LC	SQUEEZE PUMP 8 ROWS
	JBL12C	SQUEEZE PUMP 12 ROWS
2	MPL1414	7/8" SPROCKET ADAPTER
3	F64286	SPRING PIN 5/16 X 2-1/4"
4	MPL1381	SPROCKET, 20 TOOTH
	MPL1383	SPROCKET, 8 TOOTH
	MPL1384	SPROCKET, 9 TOOTH
	MPL1385	SPROCKET, 10 TOOTH
	MPL1386	SPROCKET, 15 TOOTH
	MPL1387	SPROCKET, 22 TOOTH
	MPL1388	SPROCKET, 23 TOOTH
	MPL1389	SPROCKET, 26 TOOTH
5	MPL4414	7/8" SPROCKET RETAINER
6	MPL3016	DOUBLE SPROCKET, 16-30T
7	MPL2040A	DRIVE CHAIN 4 FT.

TROUBLESHOOTING

PROBLEM: Pump hard or impossible to prime

POSSIBLE CAUSE	SOLUTION
Valves fouled or in wrong place.	Inspect and clean valves.
Air leak in suction line.	Repair leak.
Pump is set too low.	Adjust pump setting.
Packing washers are worn out.	Replace.

PROBLEM: Low metering.

POSSIBLE CAUSE	SOLUTION
Valves are fouled or in wrong place.	Inspect and clean valves.
Air leak in suction line.	Repair leak.
Pump is set too low.	Adjust pump setting.
Broken valve spring.	Replace spring.

PROBLEM: Over meters.

POSSIBLE CAUSE	SOLUTION
Broken discharge valve spring.	Replace spring.
Trash is under valves.	Inspect and clean valves.
Improper rate setting.	Adjust pump setting.

PROBLEM: Leaks through when stopped.

POSSIBLE CAUSE	SOLUTION
Broken discharge valve spring.	Replace spring.
Trash is under valves.	Inspect and clean valves.

PROBLEM: Fertilizer solution leaking under stuffing box.

POSSIBLE CAUSE	SOLUTION
Packing washers are worn out.	Replace.

PROBLEM: Pump is using excessive oil.

POSSIBLE CAUSE	SOLUTION
Oil seals or o-ring worn and leaking.	Replace.

PROBLEM: Pump operates noisily.

POSSIBLE CAUSE	SOLUTION
Crankcase components worn excessively.	Inspect and replace if necessary.