



**MONOSEN**

**PIÈCES  
DE  
RECHANGE**

**SPARE  
PARTS**

**ERSATZTEILE**

**PIEZAS  
DE  
REPUESTO**

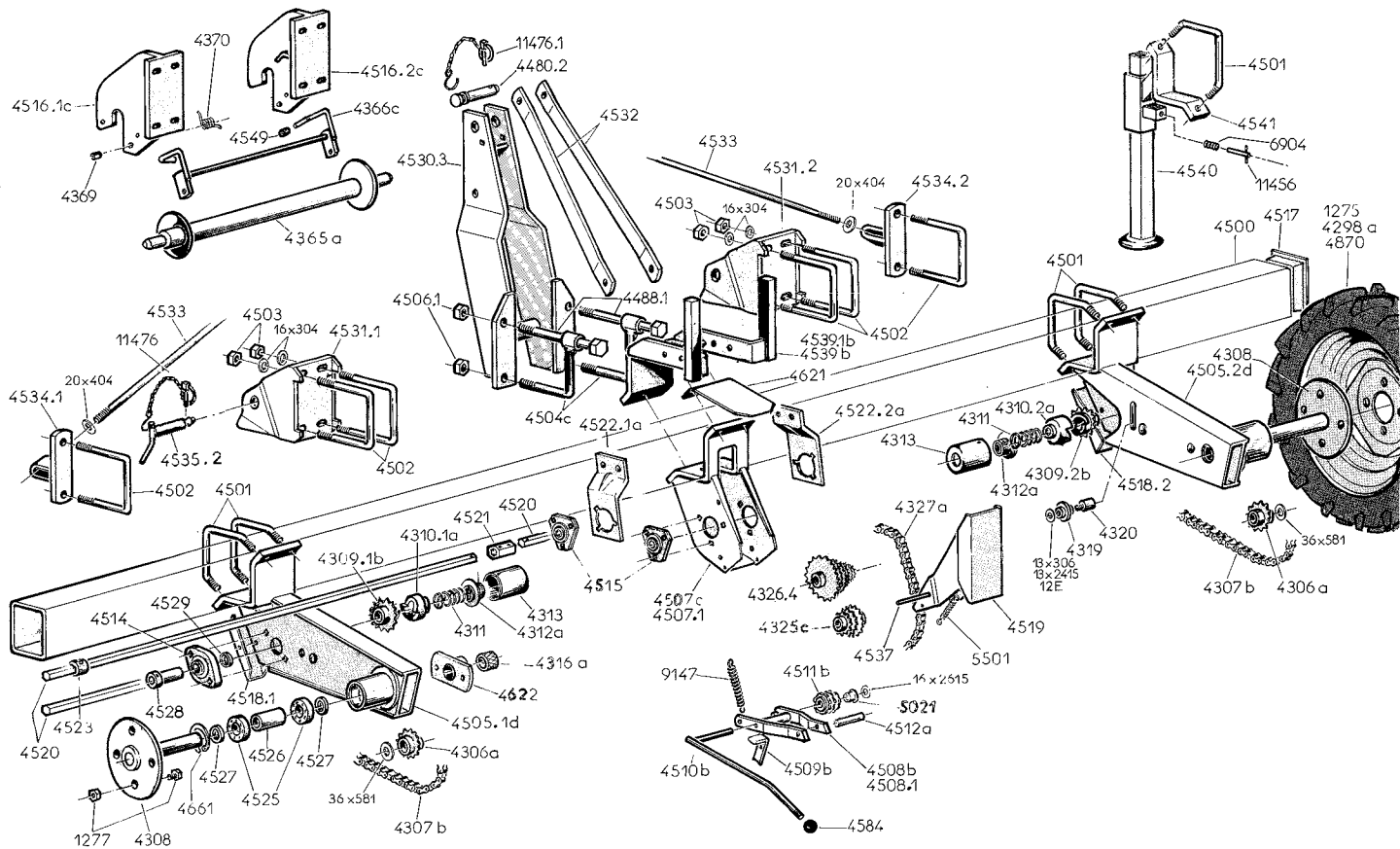
**PIÈCES  
DE  
RECHANGE**

**SPARE  
PARTS**

**ERSATZTEILE**

**PIEZAS  
DE  
REPUESTO**





## ASSEMBLY Mounted Frame

### PART No. DESCRIPTION

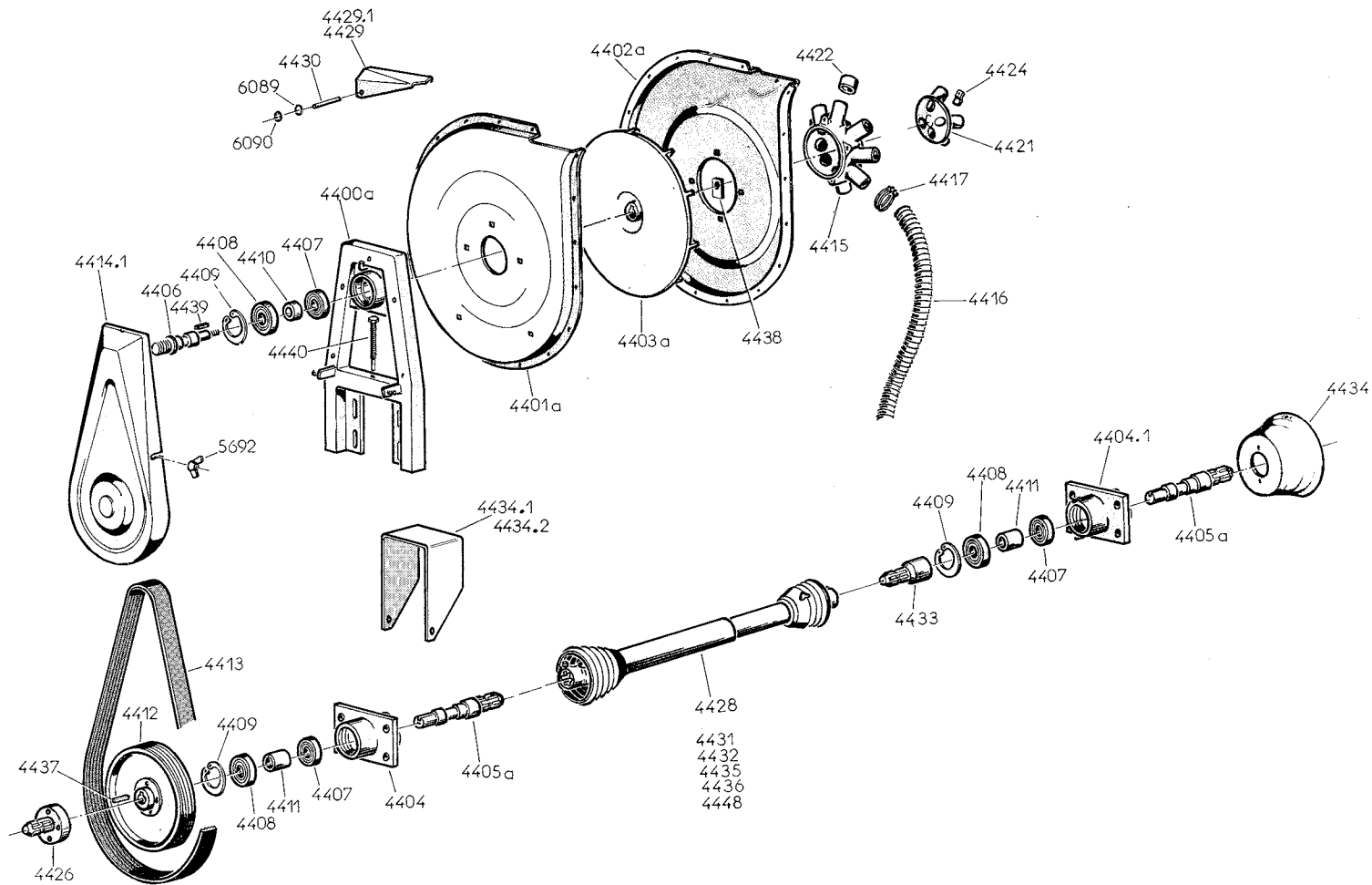
1277	Lug nut and bolt (14mm x 30mm)
4308	Hub Spindle Drive Wheel
4311	Spring Slip clutch
4313	Housing Slip clutch, uses 6x10 Phillips Head
4319	Chain Tightening Idler
4320	Pin for Chain Tightener w/ 12mm nut
4501	V bolt, 16mm
4502	U Bolt, 16mm
4503	Locking Nut, 16mm
4514	Pillow Block Complete w/Bearing
4514.1	Bearing Only (GAY 30NPPB)
4514.2	Pillow Block Only
4518.1	Front Guard Left Drive Wheel
4518.2	Front Guard Right Drive Wheel
4520	Hexagon Drive Shaft, specify length
4521	Coupler, uses 6 x 40 roll pin
4523	Bushing Stop, 1", uses 10 x 15 bolt
4523.1	Bushing Stop, with cross bolt
4525	Bearing 60072RS
4526	Bushing, inside 36 id x42 od x83 long
4527	Bushing, outside 36 id x42 od x7 long
4528	Clutch Sleeve
4529	Filler Bushing 30 id x35 od x14.25 long
4530.2	Heavy-duty Mast
4531.1	Lower 3 Pt. Bracket, Left
4531.2	Lower 3 Pt. Bracket, Right
4532	Straps, 3 Pt. Hitch
4533	Tie Brace 3 Pt. Hitch
4534.1	Lefthand Brace Holder
4534.2	Righthand Brace Holder
4535.1	Hitch Pin, Cat. 1
4535.2	Hitch Pin, Cat. 2
4536	Bushing for Cat. 3
4540.1	Toolbar stand only

4541	Bracket for toolbar stand
4585	Reinforced Hitch Plate
4586	Bolt, 20x180mm
4587	Bushing, 20 id x30 od x60mm long
4622	Pillow block, Special Wheel
4661	Snap ring, Internal
6904	Spring (R145)
11456	Locking pin
11476	Lynch Pin
11476.1	Lynch Pin w/ Chain
640838	Toolbar stand complete
900015.1	Wheel w/rim & 5.90x15 tire, complete
10101012	Locking Washer, 12 x 20 Ext. Tooth
10172093	Roll Pin, 6 x 40
10172094	Roll Pin, 6 x 45
10502012	Bolt, 10 x 15
10512080	Bolt, 14 x 45mm
10513077	Bolt, 20 x 100mm
10530090	Screw, phillips, 6 x 10
10621031	Washer 13 x 24 x 1.5
10621056	Washer 13 x 30 x 6
10622046	Washer, 17 x 30 x 4mm
10623031	Washer, 21 x 40 x 4mm
10624062	Washer 36 x 58 x 1.5
4306.a	Sprocket Drive Wheel, 13 Tooth, 1 3/8" Bore
4307.b	Chain Drive Wheel, 13N, 52 Links
4309.1b	Sprocket Slip clutch, LH, 13 Tooth
4309.2b	Sprocket Slip clutch, RH, 13 Tooth
4310.1a	Claw Slip clutch, LH
4310.2a	Claw Slip clutch, RH
4312.a	Bushing Stop for Spring Clutch, uses 8x12
4316.a	Sleeve, 35 id x44 od x35
4505.1d	Wheel housing, left hand
4505.2d	Wheel housing, right hand
AW51812	Rim Only 5.90x15
F38613	Bolt, 8 x 12
G170106152	Tire Only, 5.90 x 15
GTR-415	Stem Only



## ASSEMBLY Row Markers

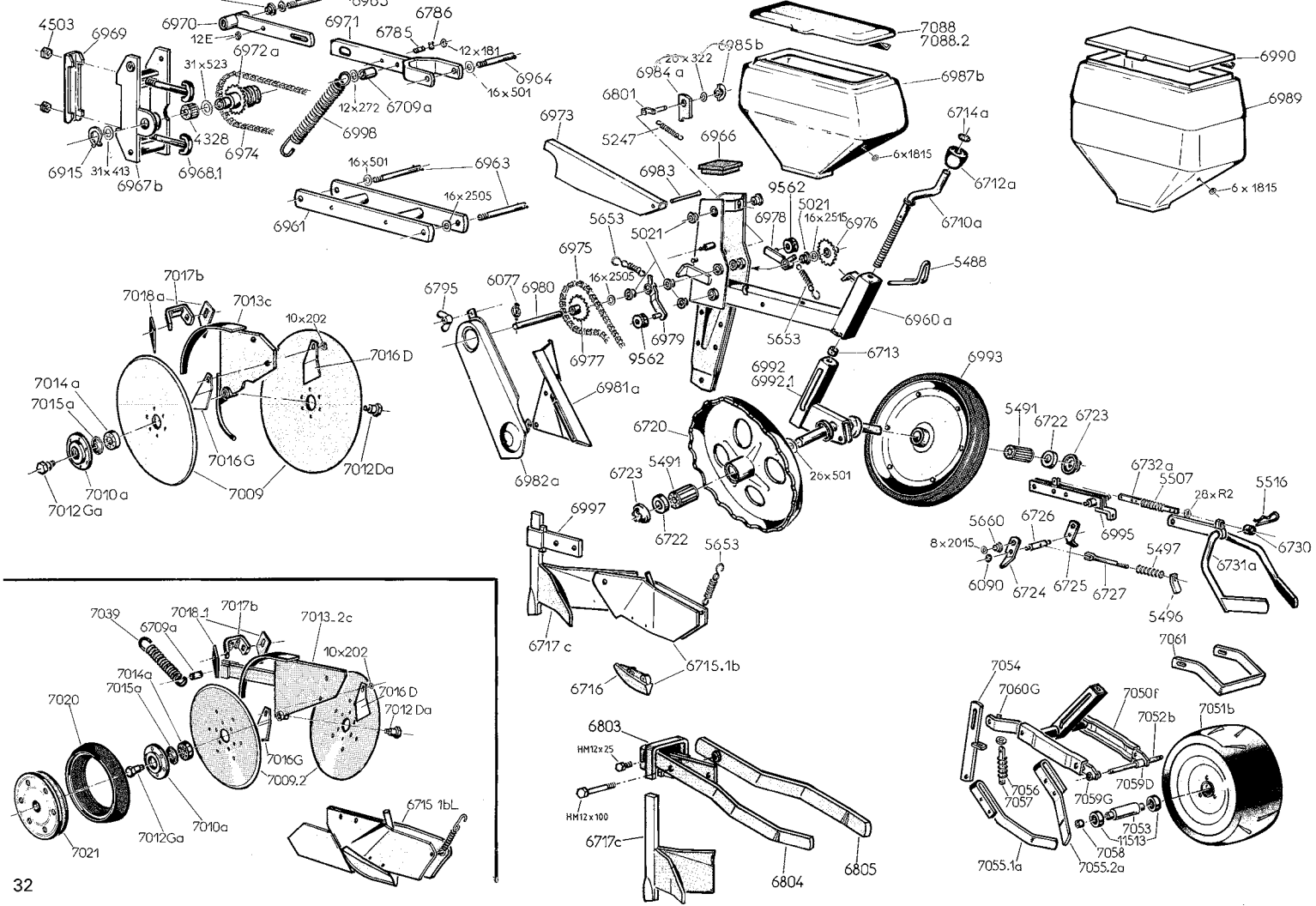
<b>PART No.</b>	<b>DESCRIPTION</b>	<b>PART No.</b>	<b>DESCRIPTION</b>	<b>PART No.</b>	<b>DESCRIPTION</b>
1339	Bushing (B11)	4552.2	Support frame long, 4'7" (140 cm)	4595	Elbow fitting
1950	Mounting Bracket 2-row	4553.1	Female tube 6'7" (200cm)	4596	Hydraulic fitting
4273	Clamp	4553.2	Female tube 4' (120cm)	5261	Shank
4274	Holder disc support	4553.3	Female tube 3'3" (100cm)	5264	Support arm
4275	Support arm	4554.1a	Male tube 5'11" (180cm)	5267	Clamp
4280	Frame automatic reverse	4554.2a	Male tube 3'3" (100cm)	5507	Support spring
4281	Arm	4555	Hub, row marker	5517	Spring guide
4282	Hook	4555.1	Hub, row marker	6869	Cable clamp
4283	Connector	4556	Washer (rubber O ring)	9236.A	Clamp facing
4284	Swing bar	4557	Pivot pin	11206	Spring, row marker (R75)
4285	Arm swing bar	4557.1	Pivot pin	11207	Disc, row marker
4286	Filler bushing	4558	Cylinder pin	11459.am	Hydraulic hose, specify length
4335	knob handle	4559	Row marker cylinder, to 1992	4583	Sequence valve support
4350.c	Framd manual row marker	4559.1	Seal key hydraulic row marker to 1992	4596.3	Fitting, metric to american,
4351.B	Arm	4559.am	Row marker cylinder 1992 on		cylinder row marker
4355.1	Shoe	C4C0872	Seal key hydraulic row marker 1992 on	4647	U bolt, 12mm
4355.2	Point	4560	Bushing (B11)	4720	Stop shock absorber
4356	Adjustable clamp for row marker arm	4561.am	Rod end cylinder row marker	4721	Slide bushing
4357.A	Handle	4562.am	Locking nut	4816	Locking clamp row marker tube
4358	Spring cap	4565	Support bracket	4954	Main frame, length 4' 3"
4359.A	Support bracket	4566	Hydraulic cylinder	4955.1	Tube, 50x50, length 4' 1"
4360	Roller rope	4566.1	Sealkit	4955.2	Tube, 50x50 length, 7' 4"
4361	Adjustable clamp for row marker	4567	Screwrod	4956.1	Tube, 40x40, length 4' 3"
4502	U bolt, 18mm	4571	Lower pivot pin	4956.2	Tube 40x40, length 5' 9"
4504.1	U bolt, 20mm	4572.a	Main frame folding row marker	4957	Shaft
4543.1A	Support bracket, LH	4573.a	Pivot section	4958	Retractable collar
4543.2A	Support bracket, RH	4574	Pivot pin	4959	Mounting bracket, row marker
4544.a	Rope guide	4575.1	Square tubing row marker, 1m50	4960	Spring
4546.1A	Mounting bracket, L	4575.2	Square tubing row marker, 1m	4961	Lower pin, row marker
4546.2A	Mounting bracket, R	4575.3	Square tubing row marker, .80m	5627	Dust cap
4547.1A	Arm, L	4576	Adjustable rod folding row marker	7014.a	Bearing
4547.2A	Arm, R	4577	Tightening nut	9557	Lynch pin
4548	Male tube	4578	Cross tube for nut	11109	Spring (R59)
4550	Mounting bracket, single row marker 14' (4m50)	4579	Lower cylinder pin		
4551	Mounting plate	4589	Flow reducer, non adjustable		
4552.1	Support frame short 3'3" (105cm)	4591	Divider valve		
4554.2a	Tube male de rayonneur longueur 1,00 m (moyeu a roulement)	11539.1	Broche de blocage rayonneur escamotable		



**ASSEMBLY Turbofan**

<b>PART No.</b>	<b>DESCRIPTION</b>	<b>PART No.</b>	<b>DESCRIPTION</b>
4400.1	Support frame	10101012	Lock washer 12x20mm
4404	Shaft housing (lower drive shaft)	10500091	Hex bolt 6x12mm
4404.3	Shaft housing extended 7X7 PTO	10511062	Bolt, 8x55mm (to secure manifold)
4407	Bearing 62mm (62062RS)	10620064	Washer 8.5x16x2mm
4408	Bearing 72mm (63062RS)	10620089	Washer 10.5x20x2mm
4409	Snap ring internal 72mm	10621061	Washer 13x40x4mm (to secure pulley)
4411	Spacer lower shaft	10623042	Washer 22.5x48x3mm (on upper shaft)
4411.2	Spacer extended 7X7 PTO	10624018	Washer 31x41x3mm
4412.2	Pulley, 450 & 540rpm (9 13/16" dia.)	10629009	Lock washer 8x14mm
4412.3	Pulley, 1000 rpm (5 5/16" dia.)	4401.B	Fan housing (support frame side)
4413	Belt, 450 & 540 rpm (PJ1168/460J or 460J19)	4402.B	Fan housing manifold side
4413.1	Belt 1000 rpm (PJ955/376J)	4403.B	Fan blade (plastic, 16 1/8" dia.)
4414.1	Cover shield for belt	4405.A	Lower shaft (1 3/8" 6 spline adapter)
4414.2	Cover shield (with optional pump pulley)	4405.A2	Lower shaft extended 7X7 PTO
4426	Pump pulley (6 spline stub shaft)	4410.A	Spacer upper shaft
4434.4	Safety shield	4428.B	PTO drive shaft 540rpm 24"
4437	Key lower shaft (8x7x40mm)	4428.B21	PTO drive shaft 1000rpm 24"
4440	Special bolt tension adjustment	4429.A	Outlet shield
4450	12-Hole manifold	4431.B	PTO drive shaft 540rpm 36"
4451	Plastic cap	4431.B21	PTO drive shaft 1000rpm 36"
4452	Upper shaft, 540 & 1000 rpm (1 1/8" dia. pulley)	4432.B	PTO drive shaft 540rpm 54" - Pull-Type only
4452.1	Upper shaft, 450 rpm (7/8" dia. pulley)	4432.B21	PTO drive shaft 1000rpm 54" - Pull-Type only
4453	Hose clamp	4439.A	Key upper shaft (6x6x45mm)
4454	Vacuum hose 40mm (specify length req.d)	CB-3322	Carriage bolt 7/16-14 x 2"
4455	Pin for outlet shield	HM-2850	Bolt, 8x50mm
4532	Support strap - 565mm long (22 1/4")	HM-61230	Bolt, 12x30mm (to secure pulley)
4532.1	Support strap - 340mm long (13 3/8")	HM-65110	Bolt, 12x110mm
4532.2	Support strap - 480mm long (18 7/8")	N-3000	Hex nut 7/16-14
6089	Rubber ring	NM-21015	Lock nut 10mm
6090	Snap ring 6mm	NM-72005	Nylon lock nut 20mm (to secure fan blade)
900058	PTO drive shaft pull type with 20 splines 54" - Pull-Type only	W-3610	Lock washer 7/16"



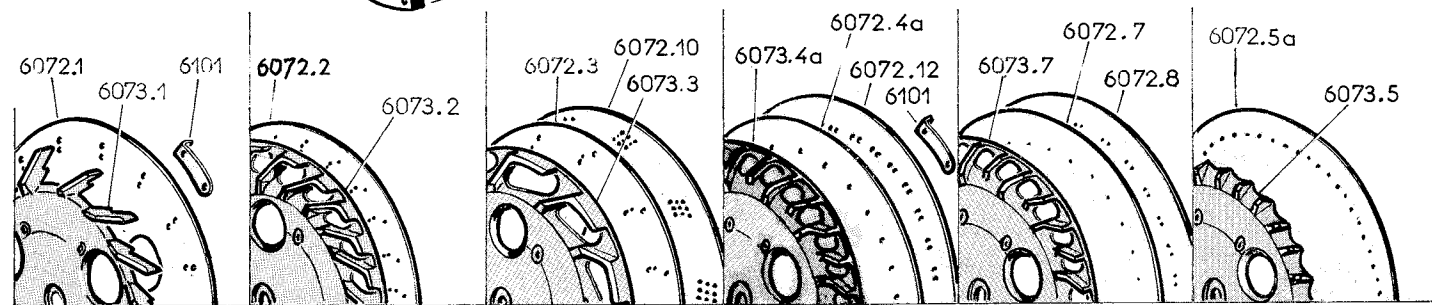
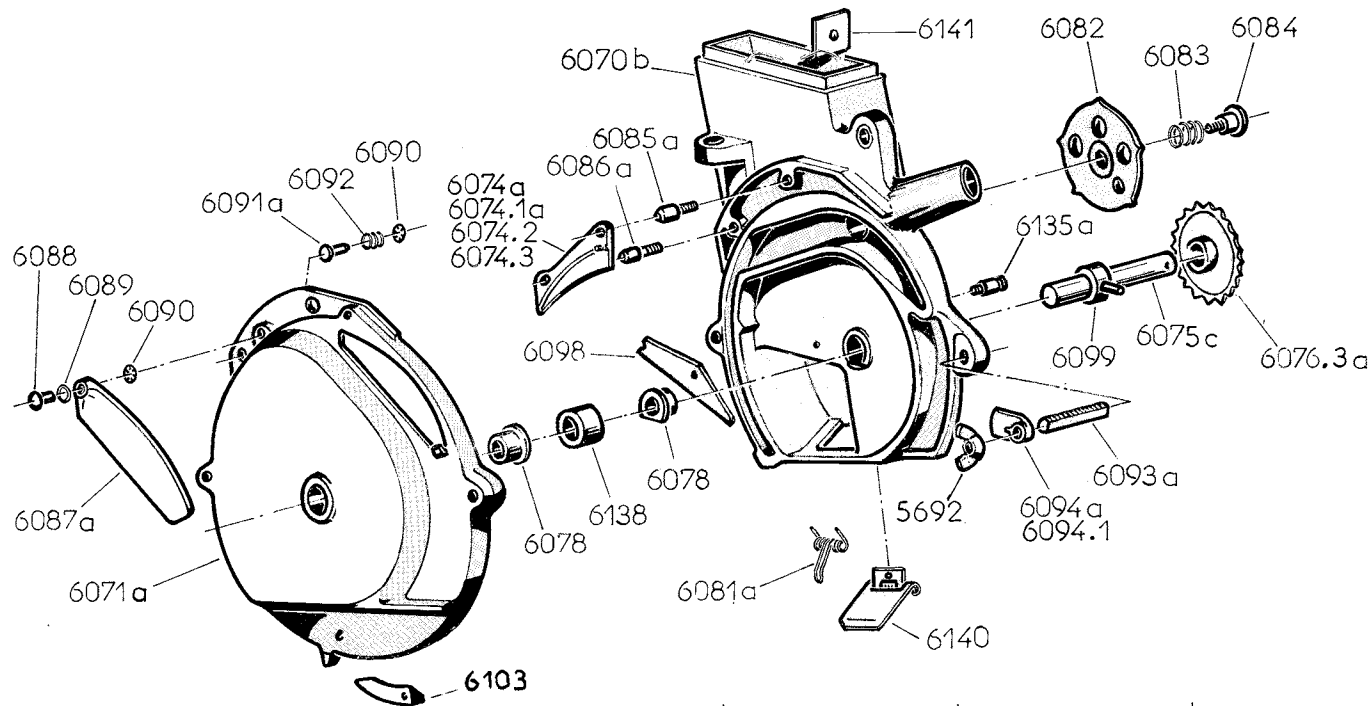


<b>PART No.</b>	<b>DESCRIPTION</b>		
4328	BEARING 25mm R25	6968	CLAMP BOLT
4503	NUT 16mm	6969	CLAMP PLATE
5021	SELF LUBRICATED BUSHING	6970	MALE SLIDING ARM UPPER LINKAGE
5247	SPRING R65	6971	FEMALE SLIDING ARM
5488	DEPTH LOCK	6972.A	SAFETY CLUTCH
5491	BEARING 80mm R80	6973	PROTECTOR SHIELD
5496	SCRAPER TIGHTNER	6974	UPPER DRIVE CHAIN
5497	SPRING R115	6975	LOWER DRIVE CHAIN
5507	SUPPORT SPRING R38	6976	CENTRAL DRIVE SPROCKET
5516	HAIR PIN R118	6977	INT. DRIVE SPROCKET 18 TEETH
5653	TENSION SPRING RS17	6977.1	SPECIAL DRIVE SPROCKET 16 TEETH
5660	TAPERED SPRING R124	6977.2	SPECIAL DRIVE SPROCKET 20 TEETH
6077	LYNCH PIN	6978	CHAIN TIGHTNER FRONT
6090	SNAPRING 6mm	6979	CHAIN TIGHTNER BACK
6709	SPRING BUSHING -SOLID ARM	6980	SPROCKET PIN
6709.A	SPRING BUSHING-SLIDING ARM	6981.A	INSIDE PROTECTOR SHIELD
6710.A	CRANK	6982.A	PROTECTOR SHIELD
6712.A	KNOB	6983	PIN PROTECTOR SHIELD
6713	SPACER	6984	LIFT STOP METERING UNIT
6714.A	SNAPRING 16mm	6985.B	KNOB LIFT STOP
6715.1B	SHOE	6987.B	PLASTIC HOPPER 25ltr
6716	CAST POINT SHOE	6988.B	LID PLASTIC HOPPER 25ltr
6717.C	CLOD REMOVER W/ POINT	6989	PLASTIC HOPPER 35ltr
6717.1C	CLOD REMOVER W/O POINT	6990	LID PLASTIC HOPPER 35ltr
6720	STEEL SERRATED WHEEL	6992	FRAME V PACKING WHEELS
6722	FILLER PLATE B149	6992.1	SPECIAL SUPPORT FRAME
6723	WHEEL HOLDER B48	6993	PRESS WHEEL COMPLETE
6724	SCRAPER -LH	6993.1	TIRE ONLY
6725	SCRAPER -RH	6993.2	WHEEL HALF w/HUB
6726	SCRAPER PIN A108	6993.3	WHEEL HALF w/o HUB
6727	TENSION PIN SCRAPER	6995	MOUNTING BRACKET HILLER/SCRAPER
6730	BUSHING REAR HILLER	6997	MOUNTING BRACKET CLOD REMOVER
6731.A	REAR HILLER	6998	SPRING R155
6732.A	TENSION PIN HILLER	7009	DISC ONLY
6785	PIN SLIDING ARM	7009.1A	DISC w/ HUB
6786	SNAPRING 12mm	7009.2	DISC FOR MOUNTING w/ PRESS WHEEL
6795	WING NUT 8mm	7010.A	DISC HUB- 3 HOLE
6801	PIN FOR LOCK	7012.DA	REMOVABLE RH SPINDLE
6915	SNAPRING 30mm	7012.GA	REMOVABLE LH SPINDLE
6960.A	MAIN FRAME METERING UNIT	7013.B	HOUSING DOUBLE DISC OPENER
6961	LOWER PARALLEL BAR	7013.2	HOUSING FOR DISC OPENER w/ PRESS WHEEL
6962	UPPER PARALLEL BAR	7014.A	DISC BEARING 3204-2RS
6963	PIVOT PIN LOWER BAR	7015.A	WASHER
6964	PIVOT PIN UPPER BAR REAR	7016.G	SCRAPER INSIDE, RH
		7016.D	SCRAPER INSIDE, LH
		7017.A	BRACKET SCRAPERS
		7021	RIM ONLY - 260 x 48mm
		7039	STABILIZING SPRING
		7050.C	Lg. PRESS WHL CARRIER
		7051.A	Lg PRESS WHEEL CPL
		7051.1	TIRE ONLY
		7051.2	RIM HALF w/ HUB
		7051.3	RIM HALF w/o HUB
		7052.A	SPINDLE PRESS WHL
		7053	ROLLING SLEEVE LARGE
			PRESS WHEEL
		7054	SCRAPER SUPPORT BRACKET
		7055.1A	LH SCRAPER
		7055.2A	RH SCRAPER
		7056	SCRAPER SPRING R157
		7057	SPRING SUPPORT
		9562	CHAIN ROLLER
		11513	BEARING 6204-2RS



## ASSEMBLY Small Seed Unit

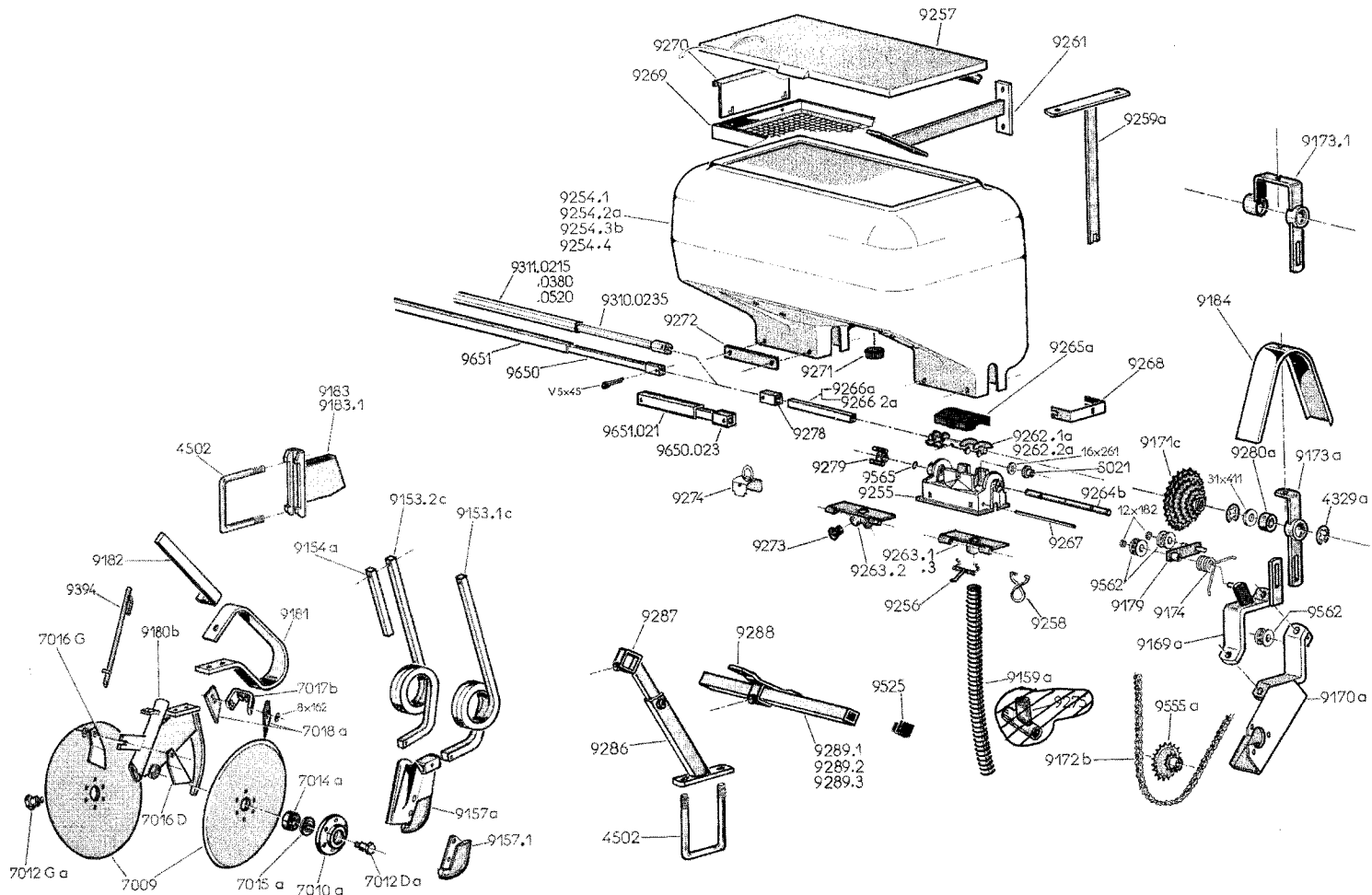
<b>PART No.</b>	<b>DESCRIPTION</b>	<b>PART</b>	<b>DESCRIPTION</b>
1339	BUSHING B11	6779	BUSHING, SELF LUBRICATING
5021	SELF LUBRICATED BUSHING	6780	RING PRESS WHEEL
5633.A	1/2 REAR PRESS WHEEL Z69B	6781	DUST CAP
5635.A	WHEEL SPINDLE CONCAVE PRESS WHE	6787	WASHER BUSHING CRUMBLER (B81)
5638	STEEL SCRAPER CONCAVE WHEEL	6788	SPINDLE CRUMBLER
5653	TENSION SPRING RS17	6789	PRESS SHEEL COMPLETE W. RUBBER
5681.B	SCRAPER SPRING R164	6789.1	RUBBER ONLY
5687	SPINDLE BOLT CONCAVE PRESS WHEEL	6789.2	WHEEL ONLY
5688	SCRAPER SUPPORT BRACKET	6790	PLASTIC REAR SCRAPER
5689	BOLT FOR ADJUSTING SCRAPER	6791	BRACKET FOR PLASTIC SCRAPER
5690	SPRING	6792	SUPPORT BRACKET
5691	SCRAPER PIN	6795	WING NUT 8mm
5693	BRACKET REAR SCRAPER	6799	SPECIAL WASHER
6099	SNAPRING 6mm	7034.2	CLOD REMOVER
6715.2D	SHOE - LOW SHOE FOR SMALL SEED	7037.A	HORIZONTAL FRAME FRONT PRESS WHL
6718	POINT ONLY -LOW SHOE	7038	SUPPORT FRAME FRONT PRESS WHL
6760.D	BRACKET FLAT PRESS WHEEL	7039	SPRING FRONT PRESS WHL (R162)
6763.A	RUBBER FOR WHEEL	7044	COVER PLATE FOR CONCAVE PRESS WHL
6767.A	CRUMBLER ARM LONG	11513	BEARING (6204 2 RS)
6768.A	CRUMBLER ARM SHORT	11540.B	PRESS WHL 300x100 COMPLETE
6769.A	BRACKET CRUMBLER ARM	11540.1	TIRE ONLY
6770.1	SPRING FOR CRUBLER ARM, LH	11540.2A	RIM ONLY
6770.2	SPRING FOR CURMBLER ARM, RH	11541.A	SPINDLE FOR 300x100 WHEEL
6771	CRUMBLER WITH BUSHING	11542	BEARING FOR 300x100 WHEEL
6772	BUSHING B64	11544.A	BUSHING FOR 300x100 WHEEL
6773	RETAINER CAP	11546	ROLLING SLEEVE WHEEL 300x100
6774.C	ARM INTERMEDIATE PRESS WHEEL		
6775	PIVOT PIN ARM(A85)		
6777.A	RUBBER SCRAPER (D174)		
6778.C	INTERMEDIATE STEEL PRESS WHEEL		



## ASSEMBLY Metering Unit

<u>PART No.</u>	<u>DESCRIPTION</u>
6075.c	shaft
6076.3A	Sprocket, 20 tooth
5692	Wing nut, 10mm
6070.b	housing (s172)
6072	Base plate
6071.a	Cover metering unit
6071.2	Special side cover beans
6078	Bushing, self lubricating
6081.a	Spring (R133)
6082	Vacuum hand wheel (S74)
6083	Spring, hand wheel (R131)
6084	Screw hand wheel (A109)
6085.a	Scraper pin 8mm (A180)
6086.a	Scraper pin 10mm (A179)
6087.a	Control window (c76)
6088	Screw for control window (A110)
6089	Rubber ring
6090	Snapping, 6mm
6090.a	Pin, (A211)
6092	Spring
6093.a	Ejector pin (A112A)
6094.a	Ejector, for beets / sunflower
6094.1	Ejector, for special seed discs
6098	Level plate for housing
6099	Stirring finger for plate
6103	Block for metering sorghum
6135.a	Connector pin cover plate (A84A)
6138	Filler bishing disc plate

<u>PART No.</u>	<u>DESCRIPTION</u>
6140	Seed remover stop, complete
6141	Steel plate feed channel
6072.1	Base plate, 18 cell for corn
6072.2	Base plate, 24 cell for sugarbeets
6072.3	Base plate, 12 cell for sunflower / cotton
6072.4a	Base plate, 30 cell for edible beans (3.5mm)
6072.4b	Base plate, 30 cell for edible beans (5mm)
6072.5a	Base plate, 72 cell for sorghum
6072.5b	Base plate, 36 cell for sorghum
6072.7	Base plate, 30 cell for cabbage
6072.8	Base plate, 60 cell for cabbage
6072.10	Base plate, 12 cell for cotton (delinted-hilldropping)
6072.12	Base plate, 30 cell for soybeans
6073	Ribbed front plate
6073.1	Ribbed plate, 18 cell for corn (S18A)
6073.2	Ribbed plate, 24 cell for sugarbeets (S38)
6073.3	Ribbed plate, 12 cell for sunflower / cotton (S37)
6073.4a	Ribbed plate, 30 cell for beans / soybean (S140)
6073.5	Ribbed plate for sorghum
6073.7	Ribbed plate, 30 cell for cabbage (S141)
6074.a	Seed Scraper, corn (S19A)
6074.1a	Seed Scraper, beets/sunflower/cotton (S39A)
6074.2	Seed Scraper, cabbage
6074.3	Seed Scraper beans / sorghum / soybeans
6074.S	Seed Scraper, pickles



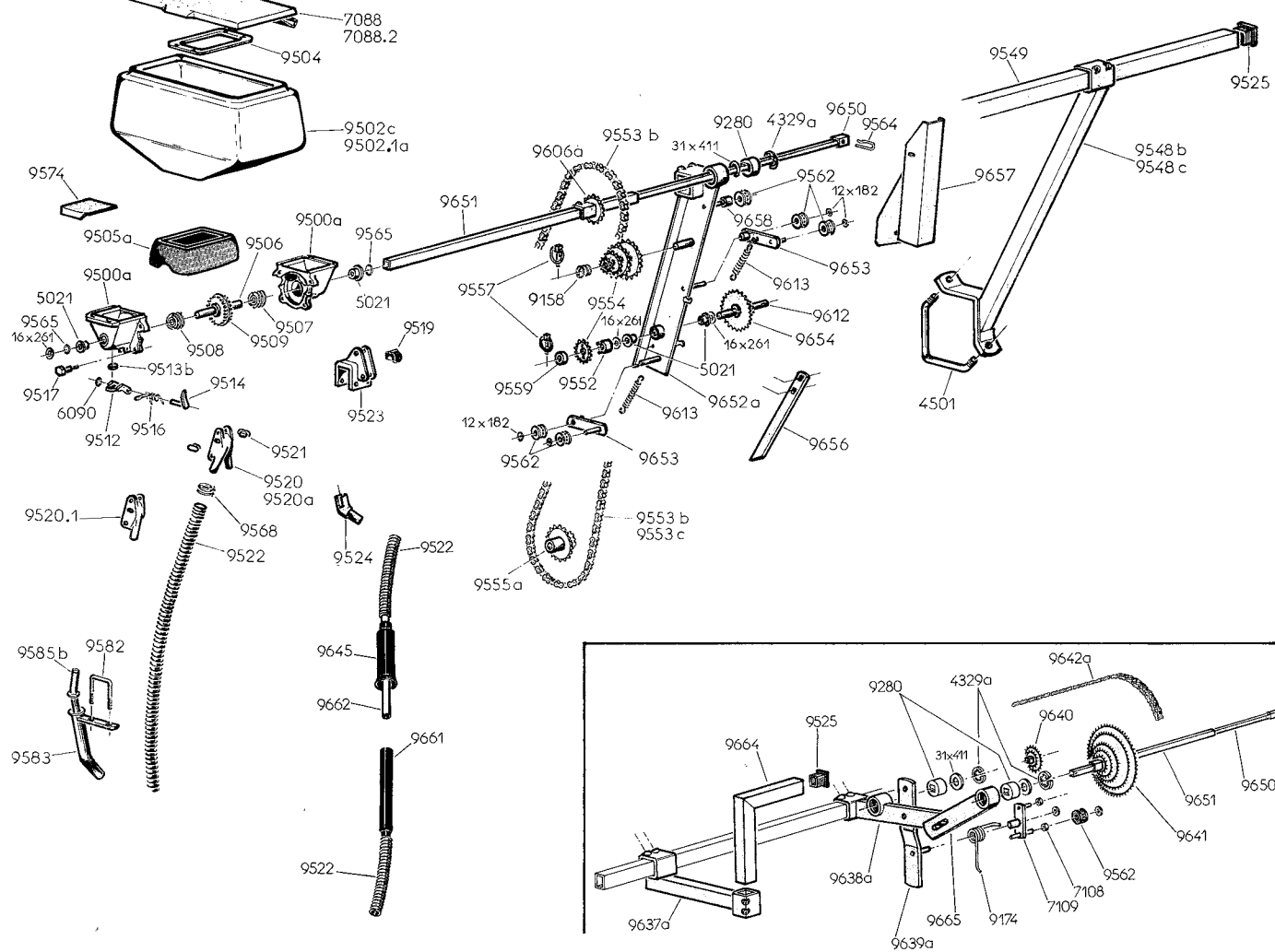
# ASSEMBLY Fertilizer

<b>PART No.</b>	<b>DESCRIPTION</b>
4329.a	Snapping, internal
4502	U bolt, 16mm
4515	Bearing complete with flangettes
4515.1	Bearing only (205KRRB2)
4515.2	Flangettes (2)
5021	Bushing (self lubricated)
7009	Disc only
7009.1a	Disc complete w/hub & bearing
7010.a	Hub only (mounts with 6x20 bolts)
7012.ga	Lefthand spindle
7012.da	Righthand spindle
7014.a	Bearing
7015.a	Sealing washer
7016.d	Right scraper, inside
7016.g	Left scraper, inside
7017.b	Bracket, for outside scrapers
7018.a	Outside scraper
9153.1c	Tine offset to the left
9153.2c	Tine offset to the right
9154.a	Reinforcement bar
9157.a	Fertilizer knife w/point
9157.1	Replacement cast point (5x34 rivets)
9169.a	Support bracket
9170.a	Clamp bracket
9171.b	Upper sprocket cluster (12-16-19-22-30-35)
9172.b	Chain, 5R (108 links w/conn link)
9173.a	Support bracket for drive shaft (single bushing)
9173.1	Support bracket (double bushing)
9174	Spring
9179	Chain tightener bracket
9180.b	Main housing for assembly
9181	Spring support for discs
9182	Mounting bar
9183	Clamp for disc assembly

<b>PART No.</b>	<b>DESCRIPTION</b>
9183.1	Clamp for knife assembly
9184	Shield
9254.1	Fertilizer hopper, 1 outlet, 225 lb capacity
9254.2a	Fertilizer hopper, 2 outlet, 400 lb capacity
9254.3a	Fertilizer hopper, 3 outlet (625 lb capacity)
9255	Meter housing, aluminum
9255.asy	Meter assy complete, with High output aug
9256	Spring, trap door
9257.1	Metal lid for 1 outlet hopper
9257.2	Metal lid for 2 outlet hopper
9257.3	Metal lid for 3 outlet hopper
9258	Hose clamp
9259.a	Support, inside 3-row hopper
9261	Support inside hopper
9262.1a	Standard auger (blue)
9262.2	High output auger (red)
9262.2a	High output auger (red) w/small ends
9263.1	Trap door - 1 outlet
9263.2	Trap door - 2 outlet
9264.b	Spindle, meter assembly
9265	Auger cover, (9" wide)
9265.a	Auger cover, ( 4 3/4" wide)
9266.1	Telescoping drive shaft between meters, complete
9266.2	Drive shaft between meters
9267	Hinge for trap door
9268	Hopper reinforce strap (8x18 carriage bolt)
9269.1a	Sieve for 1 outlet hopper
9269.2a	Sieve for 2 outlet hopper
9269.3a	Sieve for 3 outlet hopper
9270	Sieve hanger bracket
9271	Plastic cap
9272	Hopper reinforce strap (8x18 carriage bolt)

<b>PART No.</b>	<b>DESCRIPTION</b>
9273	Plastic plug for outlet on trap door
9280	Bushing (square hole) supports driv
9286	Fixed mounting bracket
9287	Adjustable mounting bracket
9288	Hopper support bracket
9289.1	Support bar (1'4")
9289.2	Support bar (2' 10")
9289.3	Support bar (4' 6")
9310.0235	Drive shaft, hex (inner) (.235cm)
9311.0215	Drive shaft, hex (outer) (.215cm)
9311.038	Drive shaft, hex (outer) (.38cm)
9311.052	Drive shaft, hex, (outer) (.52cm)
9525	End cap
9555.a	Lower sprocket cluster (12-25)
9555.2	Lower sprocket cluster (12-13-21-23-25)
9562	Chain idler roller
F38706	Bolt, 12x30
F40179	Nylon locknut, 16mm
10170068	Cotter pin, 5x45
10172065	Roll pin, 5x30
10172093	Roll pin, 6x40
10173018	Roll pin, 8x30
10176003	Rivet, 5x34 countersunk head
10500094	Bolt, 6x20 (mount disc to hub)
10508007	Bolt, 16x30
10561053	Carriage bolt 8x18mm
10562016	Carriage bolt 10x25
10621024	Washer, 13x18x2
10624014	Washer, 31x41x1





**ASSEMBLY Microsem**

<b>PART No.</b>	<b>DESCRIPTION</b>
4501	V-bolt, 16mm
5021	Self lubricated bushing
6090	Snapping, 6mm
7085.da	Drop tube, right hand
7085.ga	Drop tube, left hand
7088.a	Lid, hopper, with clip (7088.2)
7088.2	Clip, for hopper lid
9500.a	Housing(half), metering unit (replaces old 9500 & 9501 left & right sides)
9502.d	Plastic hopper only, 25 liter, -'03
9504	Steel base (hopper to meter)
9505.a	Rubber skirt
9506	Main spindle(in meter unit, requires 4x35
9507	Worm gear, lft(reqrs 6x25 roll pin)
9508	Worm gear, rht(reqrs 6x25 roll pin)
9509	Central metering gear(requires 4x25 roll
9512	Trap door (to clean out meter unit)
9513.a	Seal for trap door
9514	Lever for trap door
9516	Spring for trap door
9517	Bolt (fastens housings together)
9519	Rubber plug
9520	Two outlet chute (towards the front)
9520.a	Two outlet chute (towards the rear)

<b>PART No.</b>	<b>DESCRIPTION</b>
9520.1	Single outlet
9521	Rubber plug for side of chute
9522	Hose (specify length)
9523	Clamp/mounting bracket
9524	Elbow for single outlet
9525	End cap for bar
9548.b	Support bar(for mounting to a 5x5
9548.bs	Support bar(for mounting to a 7x7
9565	Rubber O-ring
9568	Hose clamp (for 9522)
9574	Plate for hopper (to convert to
9645	Protective Sleeve
9661	Female half of sliding drop tube
9662	Male half of sliding drop tube assy
500003	Carrier bar, 8' 2" long(1-1/2"
500005	Carrier bar, 11' 6" long(1-1/2"
500007	Carrier bar, 14' 9" long(1-1/2"
10530096	10530096 - Phillips head bolt, 6 x
F38705	F38705 - Hex bolt, 12 x 25
F38623	F38623 - Hex bolt, 8 x 60
10172041	10172041 - Roll pin, 4 x 25
10172043	10172043 - Roll pin, 4 x 35
10172090	10172090 - Roll pin, 6 x 25
10622024	10622024 - Washer, 16 x 26 x 1
F40179	F40179 - 16mm nylon locknut



<u>PART #</u>	<u>DESCRIPTION</u>
4329.1	Snapping holder
4501	V bolt Ø16mm
5021	Bushing metering unit (R25)
9280	Plastic bushing
9522	Microsem hose (specify length)
9524	Elbow
9525	End cap bar
9549	Carrier bar
9552	Bushing
9554	Sprockets (specify no. of teeth)
9555.A	Drive sprocket (12-25 teeth)
9557	Small lynch pin
9559	Bushing
9560	Chain tightner
9562	Chain roller (G12AS)
9568	Microsem hose clamp
9572	Cap
9597	Broadcaster herbicide large
9598	Cover for broadcaster large
9599	Connector
9600	Upper pivot pin broadcaster
9601.A	Lower pivot pin broadcaster
9602	Rubber seal
9603.A	Support bracket microsem herbicide
9604.B	Support bracket microsem drive
9606.1	Upper drive sprocket special (25 teeth)
9606.A	Upper drive sprocket 20 teeth
9609.B	Chain microsem herbicide
9611.A	Intermediate drive sprocket herbicide
9611.1	Intermediate drive sprocket special (12 teeth)
9612	Intermediate spindle herbicide drive
9613	Spring chain tightner (R81)
9615	Support bracket herbicide broadcaster
9617.A	U bolt
9618.A	Connecting rod broadcaster
9619	Mounting bracket support arm
9620	Broadcaster for herbicide
9621	Mounting bracket
9622	Cover plate for broadcaster
9623	Rubber seal

<u>PART #</u>	<u>DESCRIPTION</u>
9624	Arm herbicide spreader
9625	Arm for broadcaster
9626	Swivel bracket
9627	Mounting bracket
9628	Hang chain spreader arm
9650	Male drive connector
9651	Female drive connector

FOR ADDITIONAL PIECES, SEE PAGES 44-45



**SÉCURITÉ :****ATTENTION aux consignes de sécurité :**

- Prise de force : voir notice jointe.
- Rayonneurs :
- Châssis repliables : } Ne pas stationner sous la charge.
- Ne pas travailler sous le semoir.
- Manipulation de produits dangereux : voir emballage.
- Suivre les instructions d'entretien page 24

**SAFETY :****FOLLOW all recommended precautions :**

- P.T.O. : see attached precaution sheet.
- Row markers :
- Folding frames : } Keep clear of the load.
- Do not work under the planter.
- Handling dangerous products : see instructions of manufacturer.
- Carefully follow the maintenance instructions page 24

**SICHERHEIT :****Befolgen Sie die empfohlenen Vorsichtsmaßnahmen :**

- Gelenkwelle : Beachten Sie die Anbauhinweisschilder.
- Spuranzeiger :
- Klapprahmen : } Beim Klappen nicht unter der Maschine aushalten !
- Arbeiten Sie nicht unter der Sämaschine.
- Handhabung gefährlicher Produkte : Bitte beachten Sie die Anweisungen des Herstellers.
- Beachten Sie die Wartungshinweise auf seite 24.

**SEGURIDAD :****ATENCIÓN a los consejos de seguridad :**

- Toma de fuerza : ver información adjunta.
- Trazadores :
- Chasis plegables : } No colocarse debajo.
- No trabajar bajo la sembradora.
- Manipulación de productos peligrosos : ver el embalaje.
- Seguir las instrucciones de mantenimiento en pagina 24.

**IMPORTANT :** à cause de leur destination nos semoirs ne sont d'origine pourvus d'aucun équipement de signalisation. Nous rappelons cependant aux utilisateurs que dans le cas où ils auraient un déplacement routier à effectuer ils devraient auparavant mettre leur appareil en conformité avec le code de la route par un équipement signalétique en rapport avec l'encombrement.

**EXTRAIT DES CONDITIONS DE VENTE :** (Garantie Dommages et intérêts) :

La garantie se limite au remplacement pur et simple des pièces reconnues défectueuses. Les acheteurs ou utilisateurs ne pourront prétendre à aucune indemnisation de notre part pour les préjudices éventuels qu'ils pourraient subir tels que : accidents matériels ou corporels - travail défectueux (mauvaise utilisation) - manque à gagner, etc...

**EXTRACT FROM CONDITIONS OF SALE :** (Warranty and damages) :

The warranty is limited to the replacement purely and simple of any parts acknowledged to be faulty. Purchasers and users cannot claim any compensation from us for any possible damages they may suffer such as : material damage or personal injury from accidents - faulty work (bad use) - loss of profit. etc...

**AUSZUG AUS DEN VERKAUFSBEDINGUNGEN :** (Schadenersatzgarantie)

Die Garantie beläuft sich einzig und allein auf den Ersatz für beschadigte Teile. Die Käufer oder Benutzer haben darüberhinaus Kein Recht auf Schadenersatz von unserer Seite für eventuelle andere Schäden, sowie : körperliche oder materielle Schäden, schadhafte Arbeit (falsche Benutzung). Zeitverluste. usw...

**EXTRACTO DE LAS CONDICIONES DE VENTA :** (Garantía. Danos e intereses) :

La garantía se limita a la sustitución pura y simple de las piezas halladas defectuosas. Los compradores o usuarios no podrán reclamar ninguna indemnización a nuestra firma, por los perjuicios eventuales que pudieran sufrir tales como : accidentes materiales o corporales - trabajo defectuoso (mala utilización) - beneficios esperados, etc...

Par souci d'amélioration continue de notre production, nous nous réservons le droit de modifier sans préavis nos matériels qui, de ce fait, pourront par certains détails être différents de ceux décrits sur cette notice.

D'autre part, les instructions de cette notice sont destinées à nos semoirs complets; elles ne concernent pas les sous-ensembles utilisés seuls ou sur d'autres machines.

*...et pour tous vos travaux*

*de binage et sarclage*

*Consultez-nous !*

LES BINEUSES

**SUPER-CROP**

Précises, robustes, dirigeables, d'un entretien nul  
sont le complément indispensable de votre MONOSEM

**MONOSEM** Inc.

1001 Blake St., Edwardsville, KS 66111 USA

Revendeur :