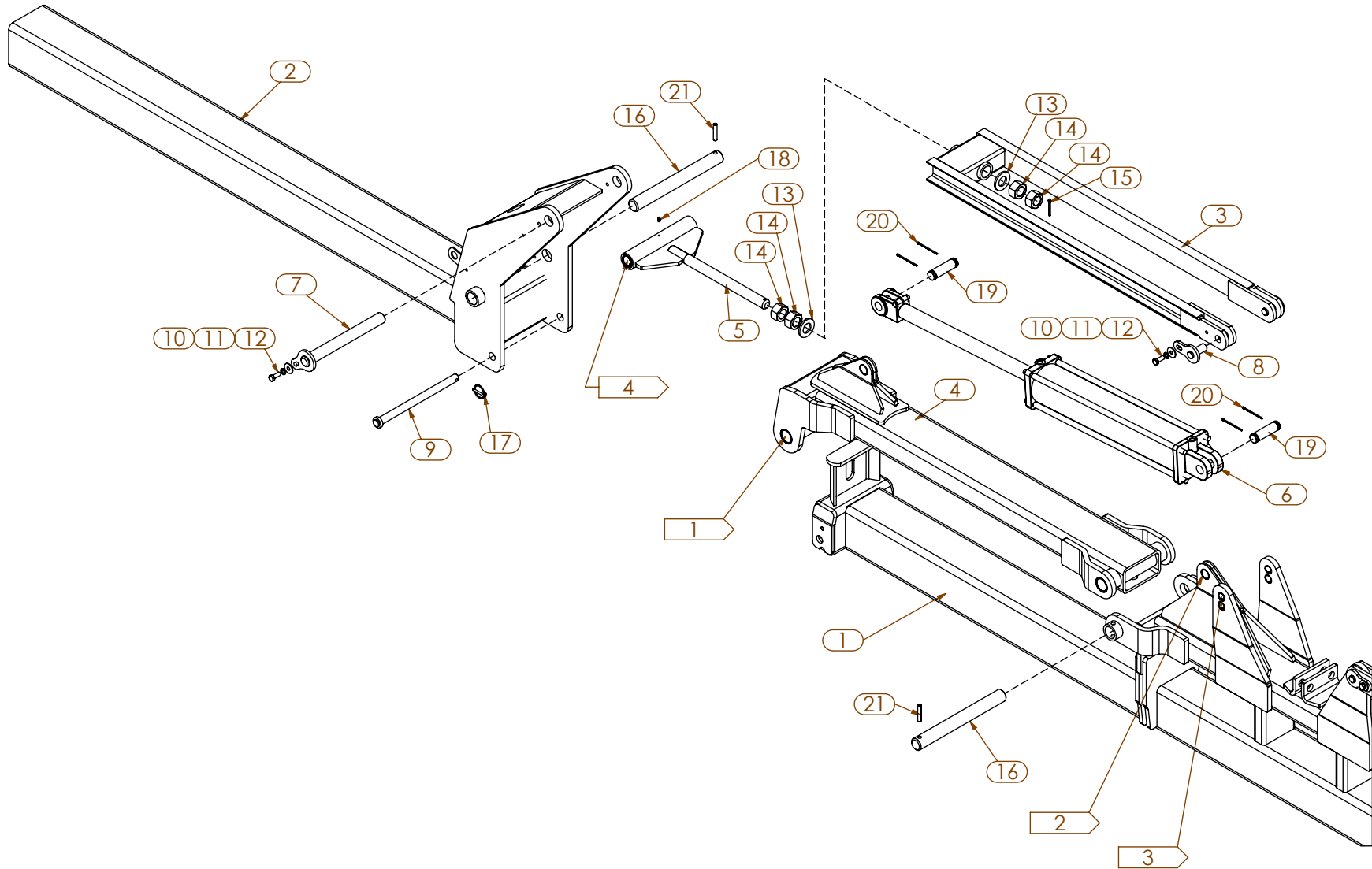

**PARTS
ILLUSTRATIONS**

**7x7 NG+4
STACKER**

PARTS INDEX - STACKER

	PAGE		PAGE
TOOLBAR		CLOSING WHEELS	
STACKING TOOLBAR 12r30/36/38-40	P-1	CLOSING WHEEL, SYMETRICAL	P-69
STACKING TOOLBAR 8R38-40	P-3	CLOSING WHEEL, TWIN-ROW	P-71
STACKING TOOLBAR 16R30	P-5	CLOSING WHEEL, OPEN STD	P-73
LIFT ASSIST STD	P-7	CLOSING WHEEL, NARROW ECC	P-75
LIFT ASSIST HD	P-9	CLOSING WHEEL, UNR	P-77
FULLY MOUNTED HITCH	P-11	CLOSING WHEELS RUBBER/CAST IRON	P-79
8R CAT III HITCH	P-13	DISC CLOSING W/FLAT PRESS WHEEL	P-81
12R CAT II HITCH	P-15	DISC CLOSING W/FLAT PRESS WHEEL, TR	P-83
12 CAT IV HITCH	P-17	ATTACHMENTS	
TRANSMISSION/HYDRAULIC DRIVE		YETTER RESIDUE MANGER, DUAL WHEEL	P-121
SINGLE PLATE TRANSMISSION	P-19	YETTER RESIDUE MANAGER, SINGLE WHEEL	P-123
HYD MOTOR DRIVE, 7X7	P-21	YETTER, NO-TILL COULTER	P-125
HYDRAULIC DRIVE MOTOR	P-23	YETTER HEAVY DUTY COULTER	P-127
WHEELBLOCKS		CENTRAL SEED SYSTEM (CSS)	
RIGID WHEELBLOCK	P-25	VACUUM BAZOOKAS	P-93
RIGID WHEELBLOCK DRIVE	P-27	CSS SINGLE, STACKER W/ 5X7 HITCH	P-95
QUICK ADJUST WHEELBLOCK	P-29	TANK CRADLE ASM	P-97
QUICK ADJUST WHEELBLOCK DRIVE	P-31	TANK CRADLE ASM	P-99
COMMON WHEELBLOCK	P-33	18 OUTLET BULK FILL MANIFOLD	P-101
COMMON WHEELBLOCK, DRIVE	P-35	CSS PLATFORM	P-103
TURBOFAN		TURBO FAN FLOWER OPT ASM	P-105
STD OUTPUT TURBOFAN	P-87	STACKER CSS ALUM TUBES	P-107
HIGH OUTPUT TURBOFAN	P-89	CSS RECEIVER HOPPER	P-107
EXTRA HIGH OUTPUT TURBOFAN	P-91	CSS MOUNT, FULLY MOUNTED STACKER	P-111
ROW UNIT		XHO TURBO BLOWER, FULLY MOUNTED	P-113
7X7 NARROW LINKAGE	P-37	XHO TURBO HYD, FULLY MOUNTED	P-115
WIDE LINKAGE W/SPRINGS	P-39	CSS STACKER, TURBO BLOWER	P-117
WIDE LINKAGE W/MONOSHOX	P-41	CSS ELECTRICAL ASM	P-119
OFFSET BRACKET, 7X7	P-85		
NG+4 METER BASE	P-43		
METER COVER NG+4	P-45		
BASE UNIT, NG+4 HD	P-47		
GAUGE WHEELS	P-49		
SEED TUBES, NG+4	P-51		
PRO WHEEL	P-53		
7X7 SYNC-ROW TIMING	P-55		
7X7 UNIT LOCKUP	P-57		
2 BUSHEL STD HOPPER	P-59		
2 BUSHEL TWIN-ROW HOPPER	P-61		
3 BUSHEL HOPPER	P-63		
3 BUSHEL HOPPER REVERSED	P-65		
2 BUSHEL HOPPER (NEW)	P-67		

P-1

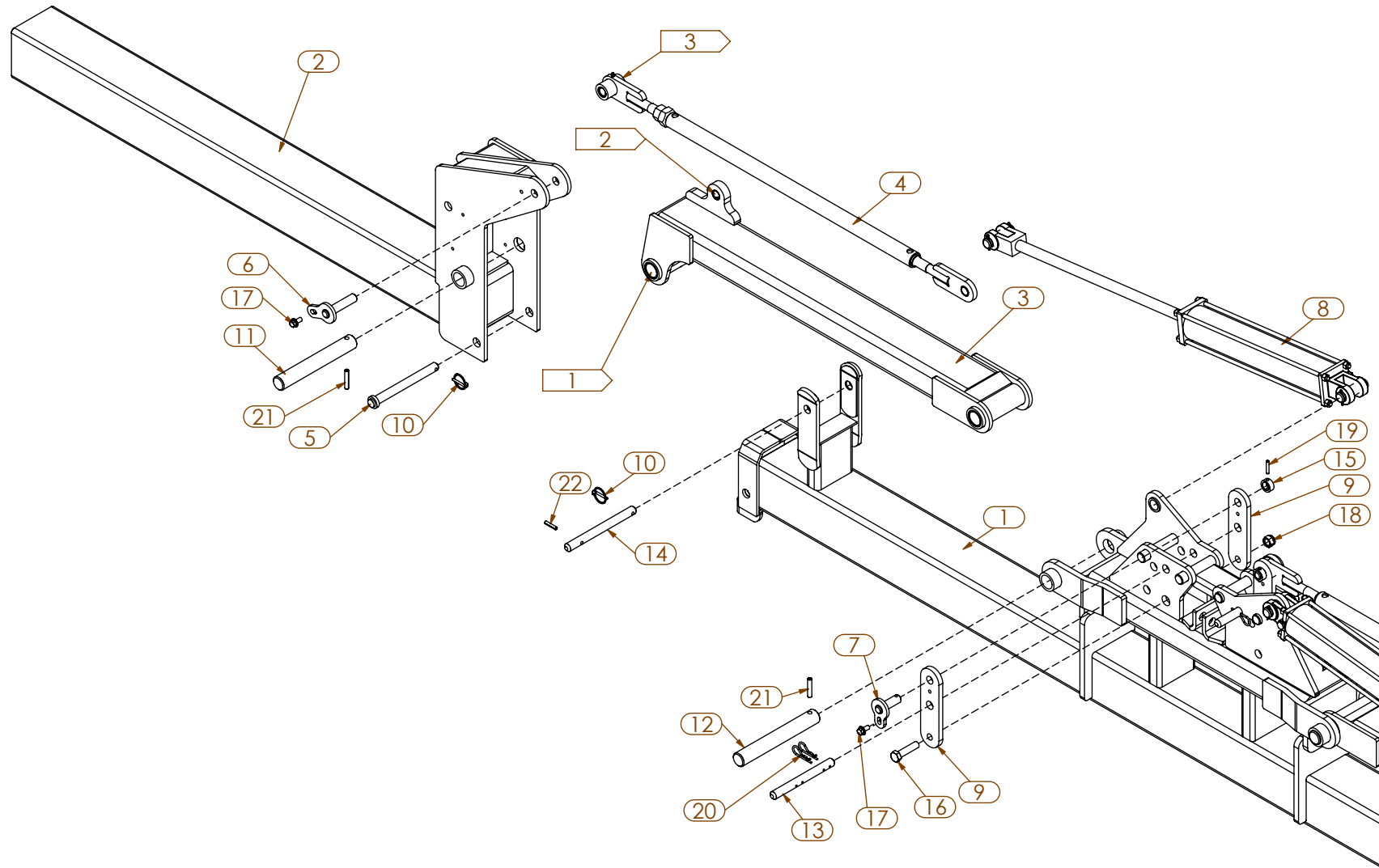


ITEM	PART NUMBER	CROSS REF.	DESCRIPTION
1	AA95920	-	FRAME, CENTER, 12R30
	AA95876	O337-140	FRAME, CENTER, 12R36
	AA95852	-	FRAME, CENTER 12R38-40
2	AA95923	O337-012	FRAME, WING, 12R30
	AA95878	O337-041	FRAME, WING, 12R36
	AA95847	O337-009	FRAME, WING, 12R38-40
3	AA95921	O337-015	FRAME, LINK, 12R30
	AA95879	O337-238	FRAME, LINK, 12R36
	AA95853	O337-016	FRAME, LINK, 12R38-40
4	AA95918	O337-013	FRAME, ARM, 12R30
	AA95875	O337-119	FRAME, ARM, 12R36
	AA95850	O337-008	FRAME, ARM, 12R38-40
5	AA95848	O337-017	FRAME, TRUNNION TURNBUCKLE
6	AA96626	300040	HYD CYL, TIE-ROD, 5 X 24
7	AA94425	O301-148	PIN, W/TAB, 1-1/2" X 13-7/8"
8	AA94423	O301-149	PIN, W/TAB, 1" X 2-1/8"
9	AA94424	O301-156	PIN, LOCK, 1" X 14"
10	24M7180	W-4410	WASHER, FLAT, 1/2" SAE
11	12H301	W-4610	WASHER, SPLIT LOCK, 1/2"
12	19H2898	H-4111	HEX BOLT, 1/2"-13 X 1-1/4"
13	W24896		WASHER, HARDENED, 1.44" X 2.70" X .25"
14	A53189	N-9650	NUT, 1-3/8" - 6
15	11M7040	F65147	COTTER PIN, 1/4" (6.3) OD x 2" (50) L
16	A111060	O301-146	PIN, 1-3/4" X 16-1/8"
17	AA21292	O104-065	PIN, QUICK LOCK, 1/4" X 1-1/2"
18	JD7797	300588	ZERK, STRAIGHT, 1/4-28 NPT
19	R92382	300496	PIN, HARDENED, CYL, 1-1/4" X 4"
20	11M7096	F65127	COTTER PIN, 5mm OD x 80mm
21	N137598	O104-005	PIN, COILED SPRING, 1/2" X 2-1/2"

REPLACEMENT BUSHING INFORMATION:

FLAG	QTY.	PART NUMBER	CROSS REF.	DESCRIPTION
1	8	A53191	O134-005	BUSHING, HARDENED, 1.75 ID X 2.125 OD X 2.00
2	4	A53192	300222 O134-044	BUSHING, SPLIT HARDENED, 1.25 ID X 1.50 OD X 1.00
3	8	A53190	300224 O134-038	BUSHING, SPLIT HARDENED, 1.00 ID X 1.25 OD X .75
4	4	A53188	300223 O134-030	BUSHING, SPLIT HARDENED, 1.50 ID X 1.875 OD X 1.00

P-3

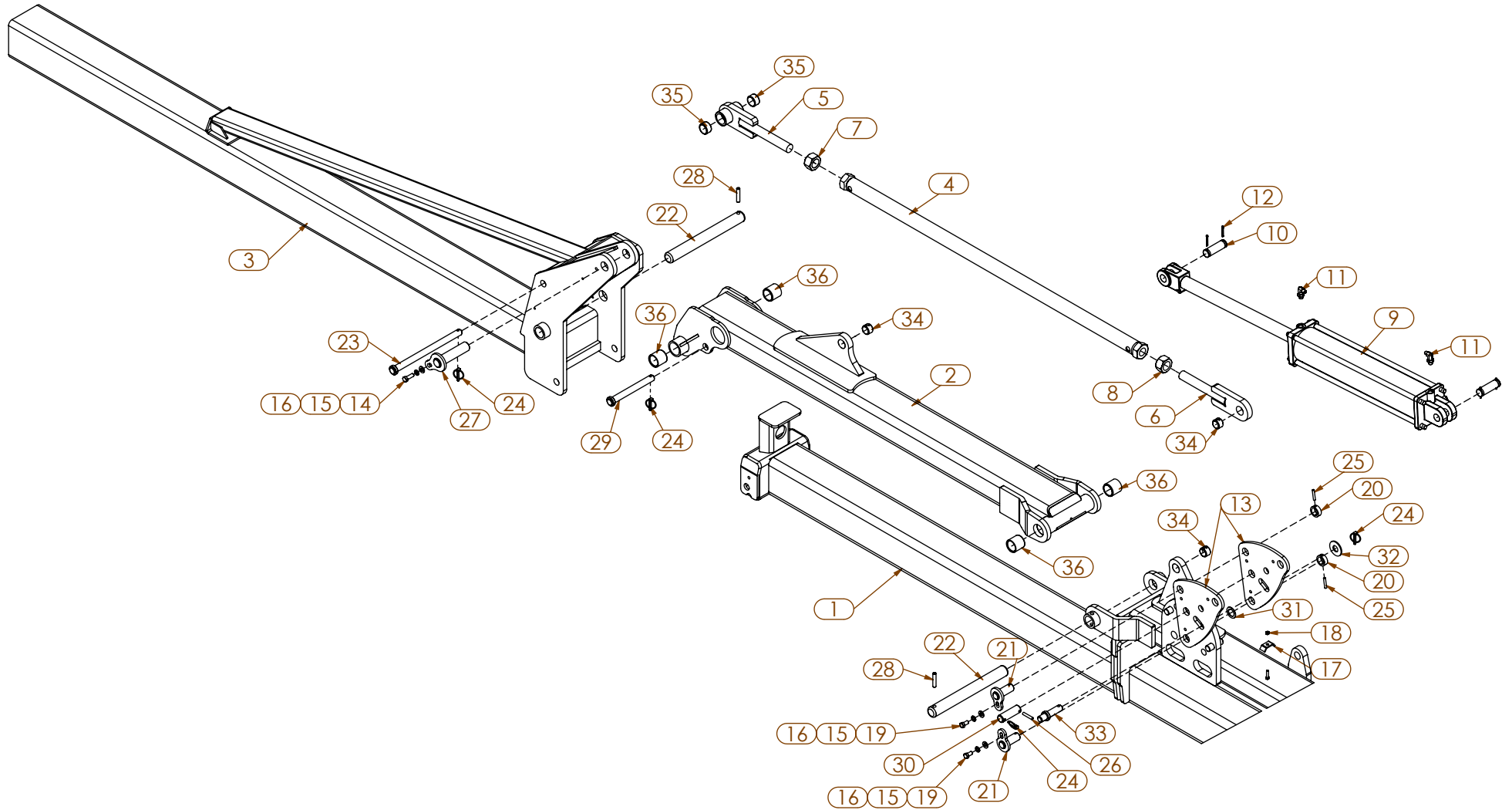


ITEM	PART NUMBER	CROSS REF.	DESCRIPTION
1	AA95928		FRAME, CENTER, 8R38-40
2	AA95927		FRAME, WING, 8R38-40
3	AA95926		FRAME, ARM, 8R38-40
4	AA95931		FRAME, FLOAT LINK ASM
5	AA94544	O336-288	PIN, LOCK, 1" X 10-1/8"
6	AA94546		PIN, W/TAB, 1" X 4-1/4"
7	AA94545		PIN, W/TAB, 1" X 2-7/8"
8	AA96914	O194-265	HYD CYL, 4 X 24 X 1.75
9	A112662		PLATE, FLOAT STRAP, 8R
10	AA21292	O104-065	PIN, QUICK LOCK, 1/4" X 1-1/2"
11	A111758	O336-290	PIN, 1-3/4" X 12-1/8"
12	A111757	O336-291	PIN, 1-3/4" X 12-5/8"
13	A111760	O336-266	PIN, FLOAT LOCK, 1" X 10"
14	A111061	O301-082	PIN, 1" X 11"
15	A111715		BUSHING, COLLAR, 1" ID
16	19M7617		SCREW, HEX HD M20-2.5 X 80 G8.8
17	19M7788		SCREW, HEX FLANGED M12-1.75 X 25 G10.9
18	A31870		LOCK NUT, M20-2.5
19	34H188		PIN, SLOTTED SPRING, 5/16" X 1-3/4"
20	A3581R	O104-070	HAIRPIN CLIP, 3/16"
21	N137598	O104-005	PIN, COILED SPRING, 1/2" X 2-1/2"
22	N237220		PIN, COILED SPRING, 3/8" X 1-3/4"

REPLACEMENT BUSHING INFORMATION:

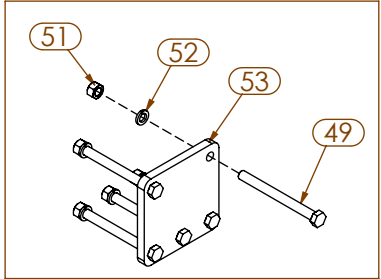
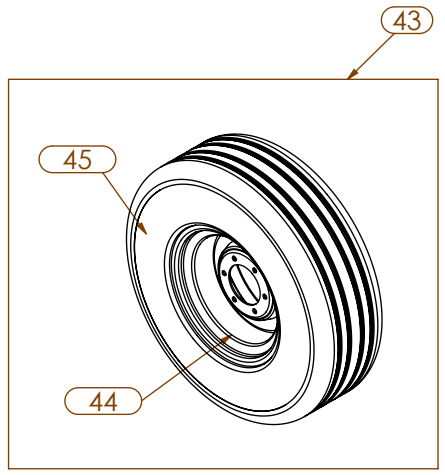
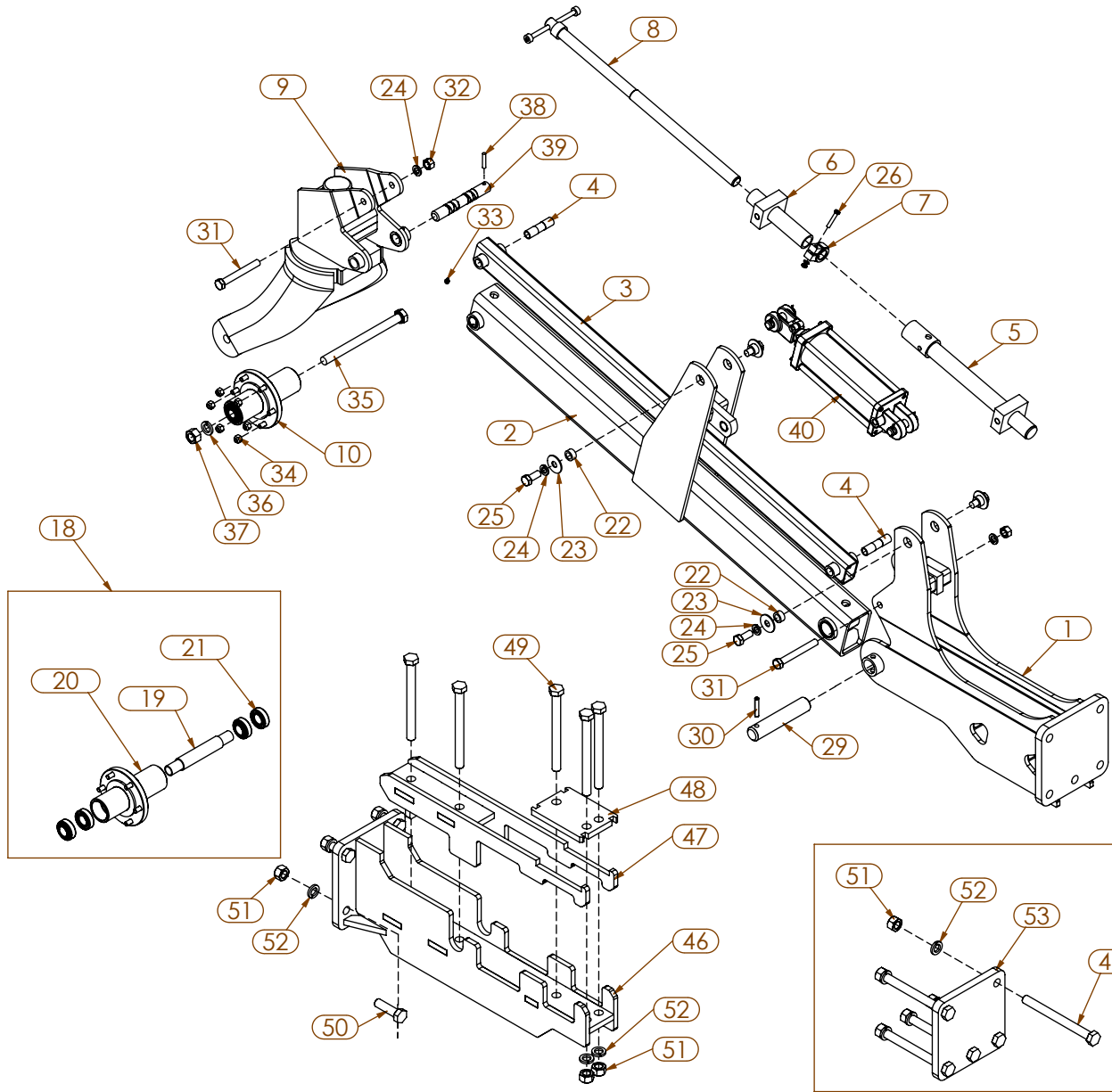
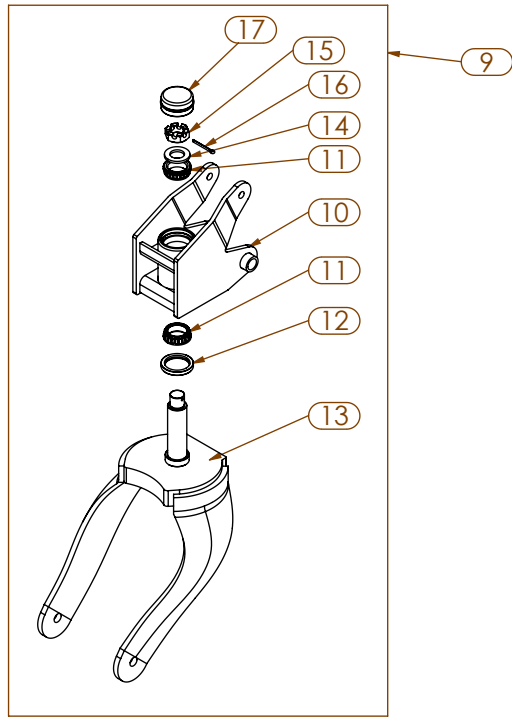
FLAG	QTY.	PART NUMBER	CROSS REF.	DESCRIPTION
1	8	A53191	O134-005	BUSHING, HARDENED, 1.75 ID X 2.125 OD X 2.00
2	4	N188868		BUSHING, SPLIT HARDENED, 1.00 ID X 1.25 OD X 1.00
3	6	A53190	300224 O134-038	BUSHING, SPLIT HARDENED, 1.00 ID X 1.25 OD X .75

P-5



ITEM	PART NUMBER	DESCRIPTION
1	321-756	FRAME, CENTER, 16R30
2	321-780	SWING TRUSS
3	321-625	WING, 16R30
4	301-871	TUBE, TURNBUCKLE
5	321-641	TURNBUCKLE END, RIGHT
6	301-875	TURNBUCKLE END, LEFT
7	102-117	NUT, 1-1/2"
8	102-118	NUT, 1-1/2" LEFT HAND
9	194-194	HYD CYLINDER, 5 x 24
10	300496	PIN, CYL, 1.25 HARDENED
11	O198-064	HYD FITTING, 3/4" MOB x 9/16" MJ, 90°
12	F-65125	COTTER PIN, 3/16" x 1-1/2"
13	321-662	PLATE, FLOAT LINK
14	100-116	BOLT, HEX, 1/2"-13 x 1-1/2"
15	108-020	LOCK WASHER, 1/2"
16	108-001	WASHER, 1/2" SAE
17	318-460	HOSE STRAP
18	102-025	LOCK NUT, 5/16"
19	100-114	BOLT, HEX 1/2"-13 x 1"
20	301-793	COLLAR
21	321-665	PIN, FLOAT LINK
22	301-146	PIN, HINGE
23	301-156	PIN, WING LOCK
24	104-065	LINCH PIN, 5/16" x 1-11/16"
25	104-008	ROLL PIN, 5/16" x 1-3/4" SPIRAL
26	104-103	ROLL PIN, 3/8" x 2"
27	321-670	PIN, STRUT
28	104-005	ROLL PIN, 1/2" x 2-1/2"
29	321-672	PIN, SWING TRUSS LOCK
30	321-667	PIN, FLOAT LINK CENTER
31	134-103	WEAR WASHER
32	108-014	WASHER, 1"
33	321-668	PIN, FLOAT LINK STOP
34	300222	BUSHING, 1.5 X 1.25 X 1.0
35	134-017	BUSHING, SPLIT HARDENED
36	O134-005	BUSHING, HARDENED, 2.125 x 1.75 x 2

P-7

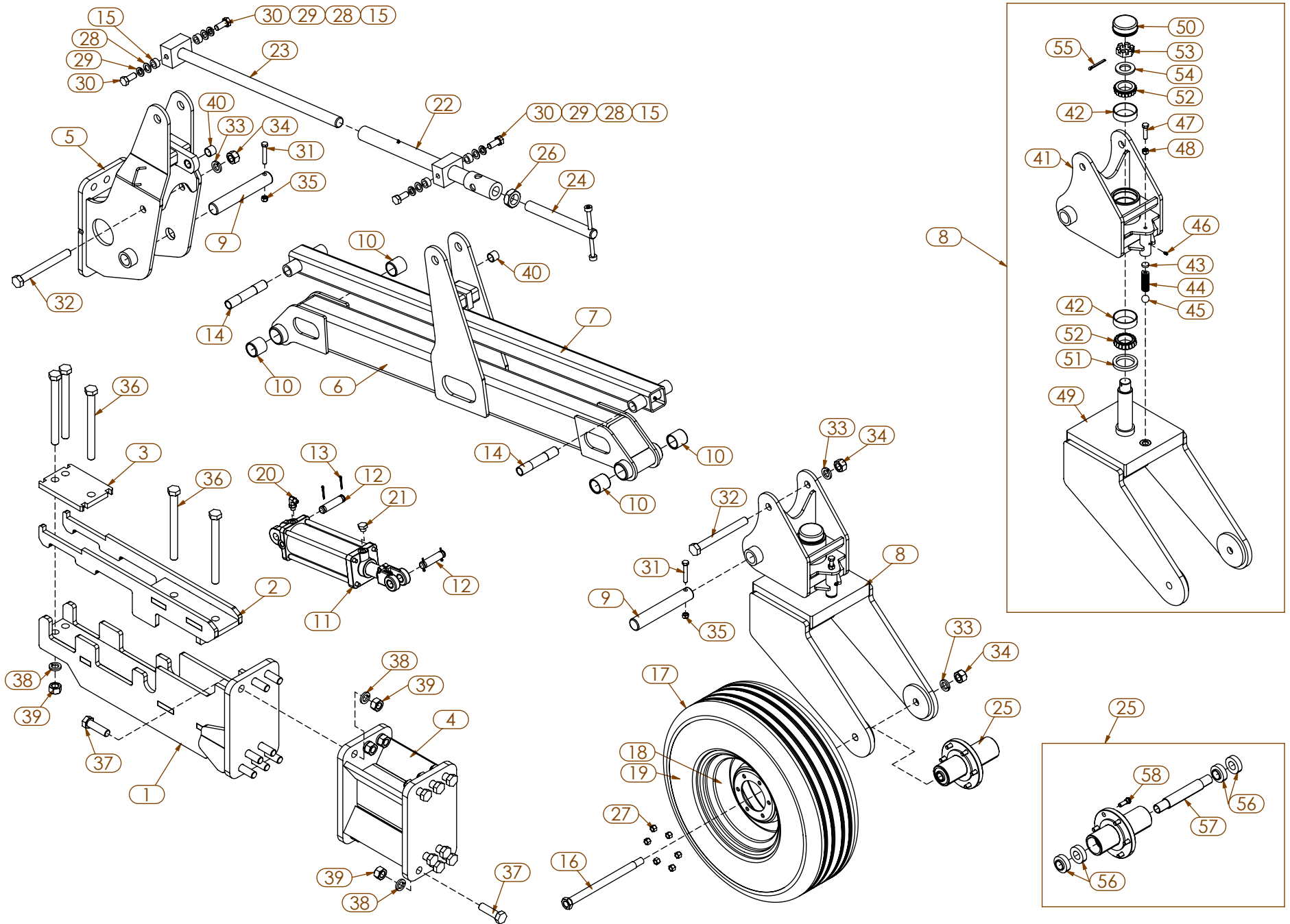


ITEM	PART NUMBER	CROSS REF.	DESCRIPTION
1	AA95910	----	FRAME, FRONT, STD LAW
2	AA95909	O337-222	FRAME, MAIN, STD LAW
3	AA95908	O337-111	FRAME, BEAM, STD LAW
4	A111806	O303-014	SLEEVE, INTERNAL, STD LAW
5	AA95907	O337-122	HOUSING, ADJ SCREW, STD LAW
6	AA95906	O337-128	HOUSING, SLIDE SET, STD LAW
7	AA95475	O303-036	LOCK NUT W/PLATE, STD LAW
8	AA94880	O303-031	SCREW, SCREW ADJ, STD LAW
9	AA95911	O637-280	YOKE ASM, STD LAW
10	AA95904	O337-167	CASTER, W/TAIL, STD LAW
11	A111745	O120-065 (LM104949)	BEARING CONE, TAPERED ROLLER, 2" ID
12	A112851	O150-026 (CR24954)	SEAL, 2.50" ID X 3.371" OD
13	AA95905	O303-266	YOKE, STD LAW
14	A111603	O303-243	WASHER, 1-1/2" X 2-5/8" X 1/4"
15	A111610	O102-051	NUT, SLOTTED, 1-1/2"-12
16	11M7085	O104-022	COTTER PIN, 1/4" X 2-1/2"
17	A111604	O340-204	CAP, HUB
18	AA95902	O337-237	HUB ASM, STD LAW
19	A111342	O303-631	SHAFT, TUBE, SPACER
20	AA95903		HUB, 6-BOLT, W/STUDS
21	JD10158	O120-036 (RA103RR2+COL)	BEARING, BALL, 1-1/4" ID
22	A111809	O303-039	BUSHING, SCREW CRANK, STD LAW
23	24H1271	W-6210	WASHER, FLAT, 3/4" X 2.250" X .134"
24	12H236	W-6610	LOCK WASHER, 3/4"
25	19H2677	H-6155	BOLT, HEX HD, 3/4"-16 X 1-3/4"
26	19H2522		BOLT, HEX HD, 3/8"-24 X 2"
27	12H304	W-2610	LOCK WASHER, 3/8"
28	14H774	N-2302	NUT, HEX, 3/8"-24 UNF
29	A111611	O303-234	PIN, FRONT HINGE, STD LAW
30	N137598	O104-005	PIN, COILED SPRING, 1/2" X 2-1/2"
31	19H1584	H-6601	BOLT, HEX HD, 3/4"-10 X 6"
32	14H794	N-6001	NUT, HEX, 3/4"-10 UNC

P-8

ITEM	PART NUMBER	CROSS REF.	DESCRIPTION
33	JD7798	F60102	GREASE FITTING, 1/8" NPTM
34	JD26	P201602	LUG NUT, 1/2"-20
35	08H4283	O303-071	BOLT, HEX HD, 1"-8 X 12-1/2"
36	12H234	W-7610	LOCK WASHER, 1"
37	14H1048	N-8001	NUT, HEX, 1"-8 UNC
38	25H154	O104-041	PIN, TAPERED AND GROOVED, .375" X 2"
39	A111802	O303-047	PIN, INTERNAL, STD LAW
40	AA50178	O194-401	HYD CYL, TIE ROD, 4 x 10
41	AN210173	O194-233	BREATHER PLUG, 3/4"-16, 125 MICRON
42	JD7797	300588	ZERK, STRAIGHT, 1/4-28 NPT
43	O190-089		TIRE / RIM ASM, 9.5L-15
44	O190-068		RIM, 15x8, 6 ON 6"
45	O192-041		TIRE, 9.5L 12 PLY
46	200258		STD LAW MNT WA
47	200259		TOP MNT WA
48	801430		PLATE, CAP
49	H-7980		BOLT, HEX, 1"-8 X 11" G8
50	H-7351		BOLT, HEX, 1"-8 X 3-1/2" G8
51	N-8001		NUT, HEX, 1"-8, G8
52	W-7610		WASHER, SPLIT, 1", G8
53	802932		PLATE- STD LIFT ASSIST

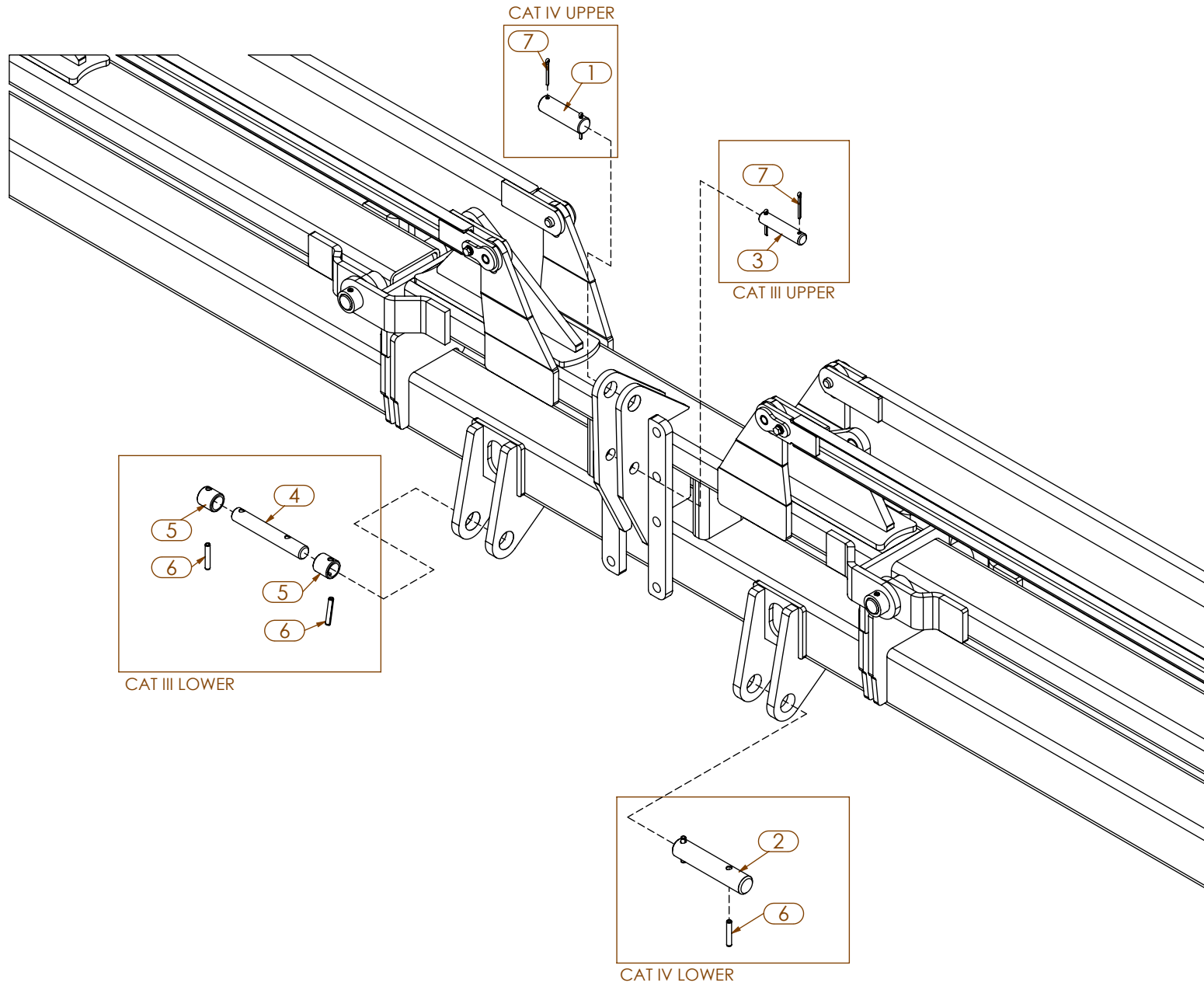
P-9



ITEM	PART NUMBER	DESCRIPTION
1	200260	HD LAW MNT WA
2	200259	TOP MNT WA
3	801430	PLATE, CAP
4	800550	HD LAW SPACER
5	O337-572	MOUNT, HD LAW
6	O337-587	LIFT ARM, 67.5"
7	O337-593	TOP ARM, 67.5"
8	303-596	TAIL HOUSING & YOKE, COMPLETE
9	O303-627	PIN, 1-3/4" x 10-3/4"
10	O134-005	BUSHING, HARDENED, 2.125 x 1.75 x 2
11	O194-401	HYD CYLINDER, 4 X 10
12	O104-071	PIN, CYLINDER CLEVIS, 1" x 3-1/4"
13	F-65125	COTTER PIN, 3/16" X 1-1/2"
14	O303-612	BUSHING
15	O303-039	BUSHING, 1.250 X .755 X .625
16	O391-269	BOLT, SPECIAL, 1" X 14"
17	O190-089	TIRE / RIM ASM, 9.5L-15
18	O190-068	RIM, 15x8, 6 ON 6"
19	O192-041	TIRE, 9.5L 12 PLY
20	O198-064	HYD FITTING, 3/4" MOB x 9/16" MJ, 90°
21	O194-233	HYD FITTING, BREATHER, 3/4" MOB
22	O337-608	TUBE, LAW ADJUSTMENT
23	O303-602	SLIDE, LAW ADJUSTMENT
24	O303-609	SCREW, LAW ADJUSTMENT
25	O337-237	HUB
26	O102-232	NUT, JAM, 1-1/2"
27	P201602	LUG NUT, 1/2"-20
28	W-6410	WASHER, FLAT, 3/4" SAE G8
29	W-6610	WASHER, SPLIT, 3/4", G8

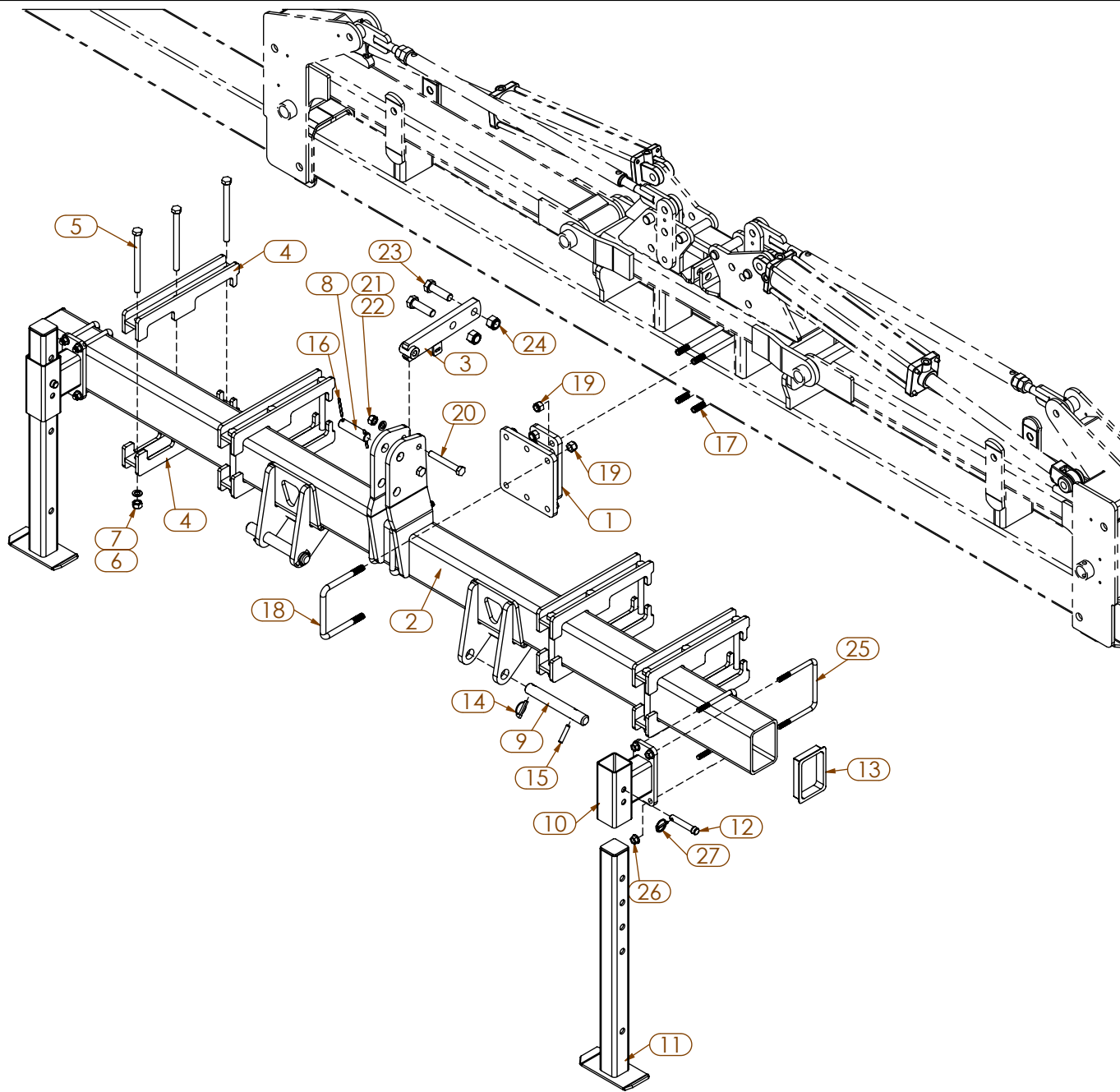
ITEM	PART NUMBER	DESCRIPTION
30	H-6155	BOLT, HEX, 3/4"-10 X 1-3/4" G8
31	H-4305	BOLT, HEX, 1/2"-13 X 3", AT, G5
32	H-7609	BOLT, HEX, 1"-8 X 9-1/2" G8
33	W-7610	WASHER, SPLIT, 1", G8
34	N-8001	NUT, HEX, 1"-8, G8
35	N-4001	NUT, HEX, 1/2"-13, G8
36	H-7980	BOLT, HEX, 1"-8 X 11" G8
37	H-7351	BOLT, HEX, 1"-8 X 3-1/2" G8
38	W-7610	WASHER, SPLIT, 1", G8
39	N-8001	NUT, HEX, 1"-8, G8
40	O134-034	BUSHING, 1.25" x 1" x 1"
41	O337-597	TAIL HOUSING
42	O120-066	BEARING CUP
43	O341-268	SLUG, DETENT
44	O148-067	SPRING, DETENT
45	O120-162	BALL, DETENT
46	O110-001	GREASE FITTING, 1/4"
47	H-4201	BOLT, HEX, 1/2"-13 X 2" G8
48	N-4001	NUT, HEX, 1/2"-13, G8
49	391-265	TAIL YOKE
50	O337-204	DUST CAP, 3.36" OD
51	O150-026	SEAL, 3.374" OD x 2.5" ID
52	O120-065	BEARING CONE
53	O102-051	NUT, CASTLE, 1-1/2"
54	O303-243	WASHER
55	O104-022	SPLIT PIN, 1/4" X 2-1/2"
56	120-036	BEARING
57	303-070	AXLE
58	100-120	WHEEL LUG STUDBOLT, 1/2"-20 X 1

P-11

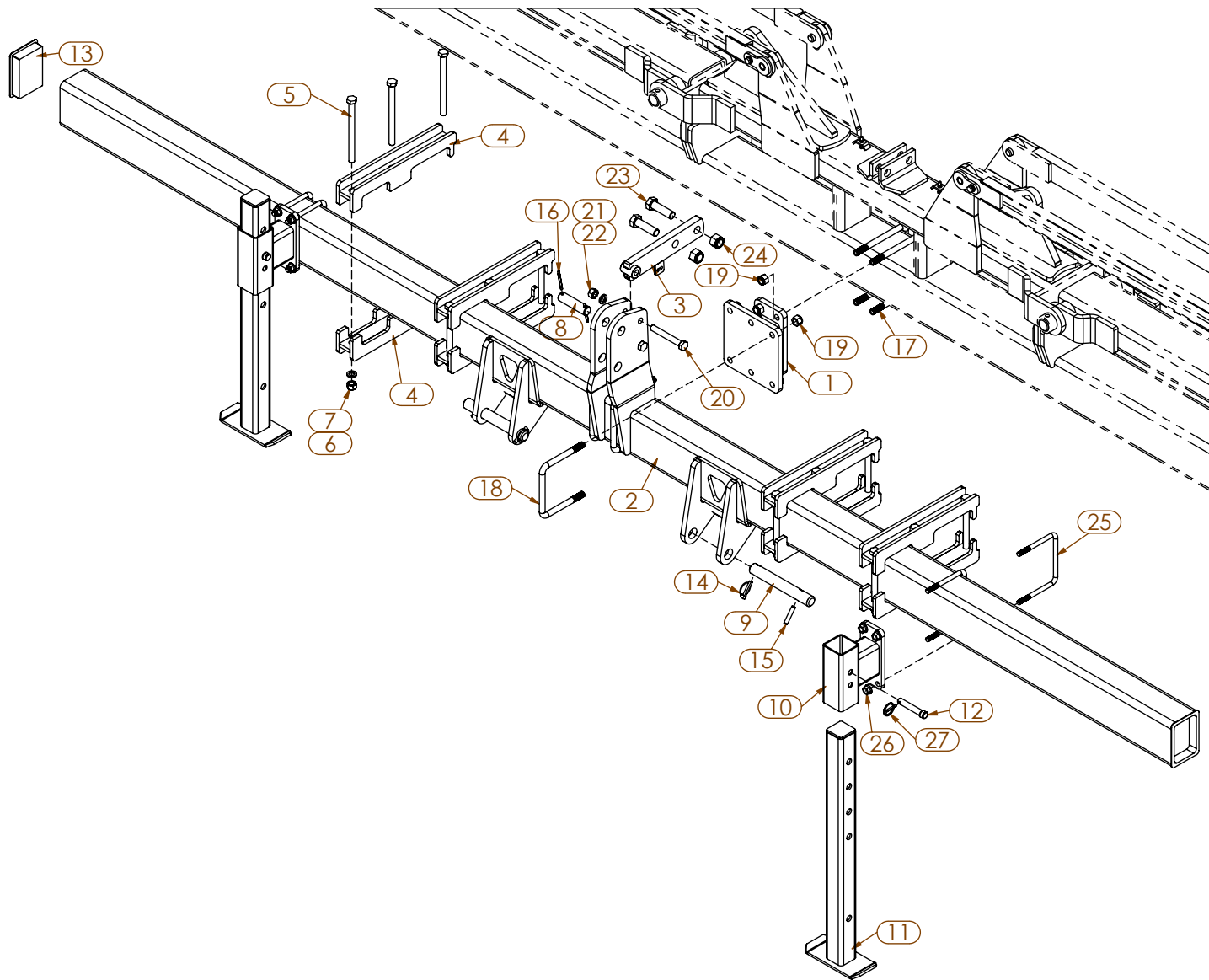


ITEM	PART NUMBER	DESCRIPTION
1	801924	CAT 4 UPPER HITCH PIN
2	803342	CAT IV LOWER HITCH PIN, SINGLE POCKET
3	803344	CAT III UPPER HITCH PIN, 5.75"
4	803343	CAT III LOWER HITCH PIN, SINGLE POCKET
5	803340	PIN ADAPTER, CAT III TO CAT IV
6	O104-091	ROLL PIN, 1/2" X 3"
7	O104-022	SPLIT PIN, 1/4" X 2-1/2"

P-13

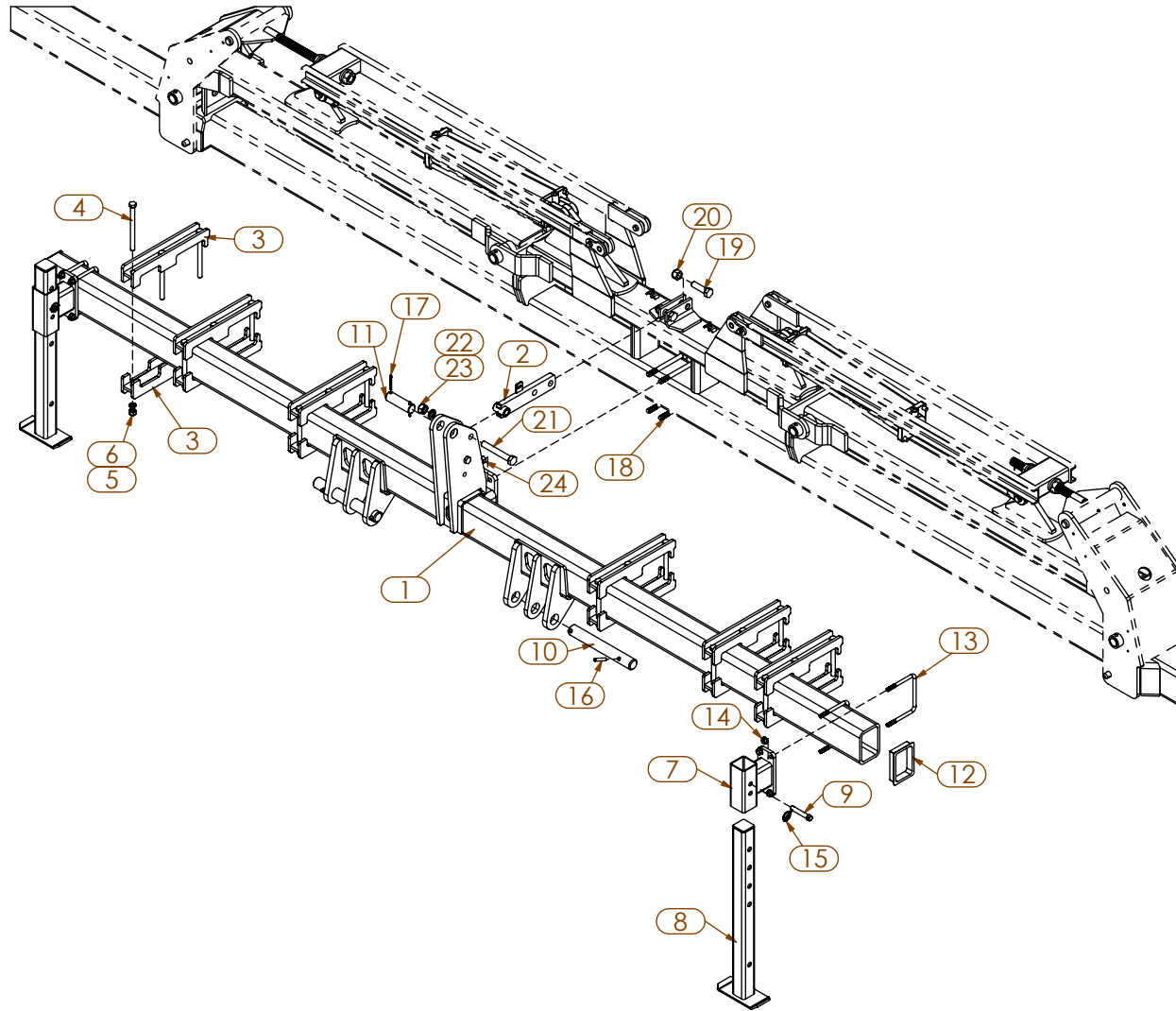


ITEM	PART NUMBER	DESCRIPTION
1	800276	HITCH SPACER CENTER 4"
2	200835	CAT 3 HITCH WA
3	200163	HITCH TIEBACK 4" SPACING
4	O337-595	5 X 7 HITCH CLAMP WA
5	H-6951	BOLT, HEX, 3/4"-10 X 9-1/2" G8
6	W-6610	WASHER, SPLIT, 3/4", G8
7	N-6001	NUT, HEX, 3/4"-10, G8
8	801245	CAT 3 UPPER HITCH PIN
9	801244	CAT 3 LOWER HITCH PIN
10	STB-A-001	JACKSTAND BRACKET WA
11	STB-A-002	JACKSTAND LEG WA
12	STB-P-003	JACKSTAND PIN
13	4517.SA	END CAP, 7 X 5
14	O104-036	LYNCH PIN, 7/16"
15	O104-102	ROLL PIN, 1/2" X 2-1/2"
16	O104-022	SPLIT PIN, 1/4" X 2-1/2"
17	4502.SA	U-BOLT, 7 X 7 X 3/4-10
18	900200	U-BOLT, 7 X 5 X 3/4"-10
19	N-6101	NUT, NYLOCK 3/4"-10 G8
20	H-6551	BOLT, HEX, 3/4"-10 X 5-1/2" G8
21	W-6610	WASHER, SPLIT, 3/4", G8
22	N-6001	NUT, HEX, 3/4"-10, G8
23	H-7351	BOLT, HEX, 1"-8 X 3-1/2" G8
24	N-8002	NUT, NYLOCK 1"-8 G8
25	900198	U-BOLT, 7 X 5 X 5/8"-11
26	N-5401	NUT, FLANGE, 5/8"-11
27	6077	LYNCH PIN, 6MM



P-15

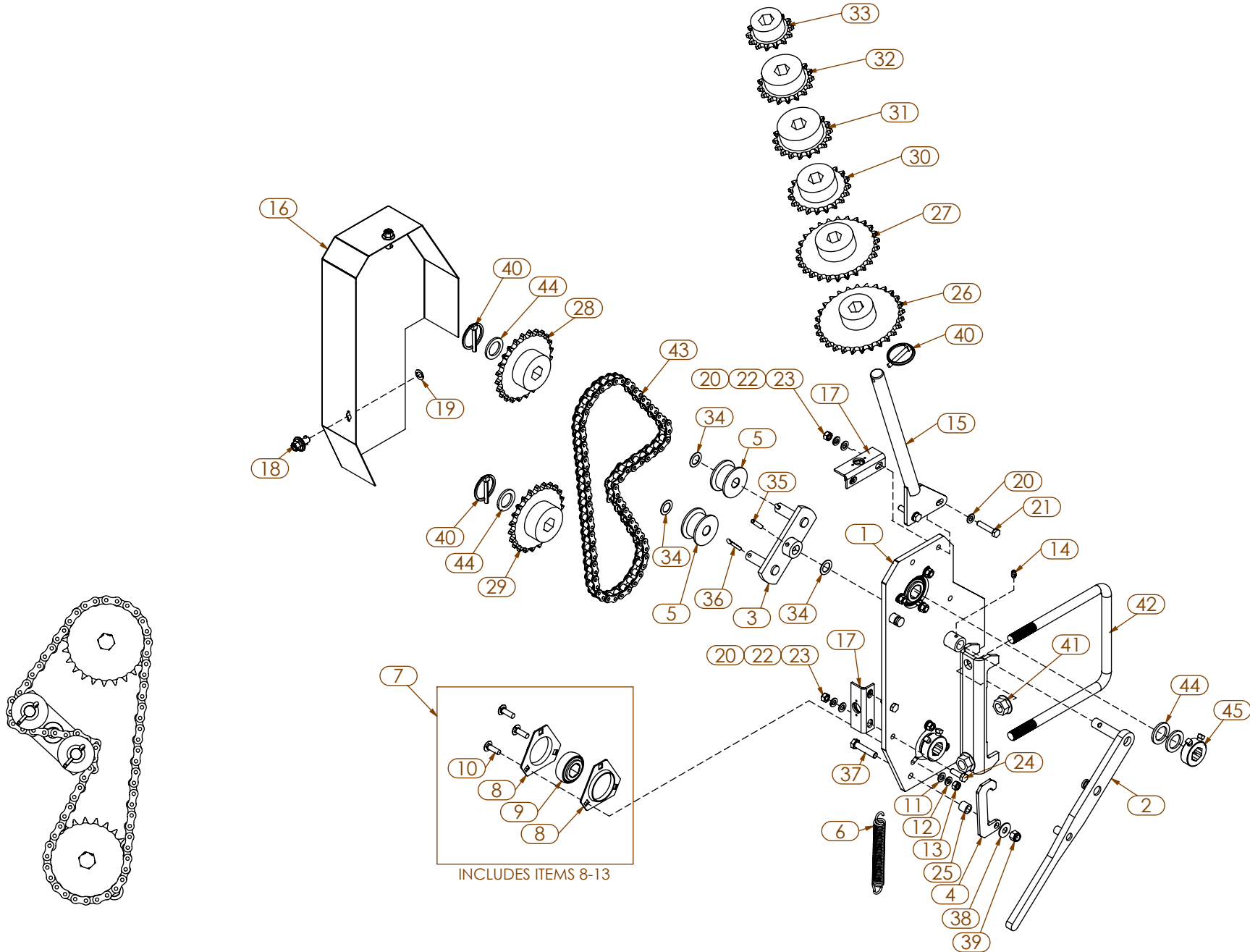
ITEM	PART NUMBER	DESCRIPTION
1	800276	HITCH SPACER CENTER 4"
2	201052	CAT III HITCH WA
3	200163	HITCH TIEBACK 4" SPACING
4	O337-595	5 X 7 HITCH CLAMP WA
5	H-6951	BOLT, HEX, 3/4"-10 X 9-1/2" G8
6	W-6610	WASHER, SPLIT, 3/4", G8
7	N-6001	NUT, HEX, 3/4"-10, G8
8	801245	CAT 3 UPPER HITCH PIN
9	801244	CAT 3 LOWER HITCH PIN
10	STB-A-001	JACKSTAND BRACKET WA
11	STB-A-002	JACKSTAND LEG WA
12	STB-P-003	JACKSTAND PIN
13	4517.SA	END CAP, 7 X 5
14	O104-036	LYNCH PIN, 7/16"
15	O104-102	ROLL PIN, 1/2" X 2-1/2"
16	O104-022	SPLIT PIN, 1/4" X 2-1/2"
17	4502.SA	U-BOLT, 7 X 7 X 3/4-10
18	900200	U-BOLT, 7 X 5 X 3/4"-10
19	N-6101	NUT, NYLOCK 3/4"-10 G8
20	H-6551	BOLT, HEX, 3/4"-10 X 5-1/2" G8
21	W-6610	WASHER, SPLIT, 3/4", G8
22	N-6001	NUT, HEX, 3/4"-10, G8
23	H-7351	BOLT, HEX, 1"-8 X 3-1/2" G8
24	N-8002	NUT, NYLOCK 1"-8 G8
25	900198	U-BOLT, 7 X 5 X 5/8"-11
26	N-5401	NUT, FLANGE, 5/8"-11
27	6077	LYNCH PIN, 6MM



P-17

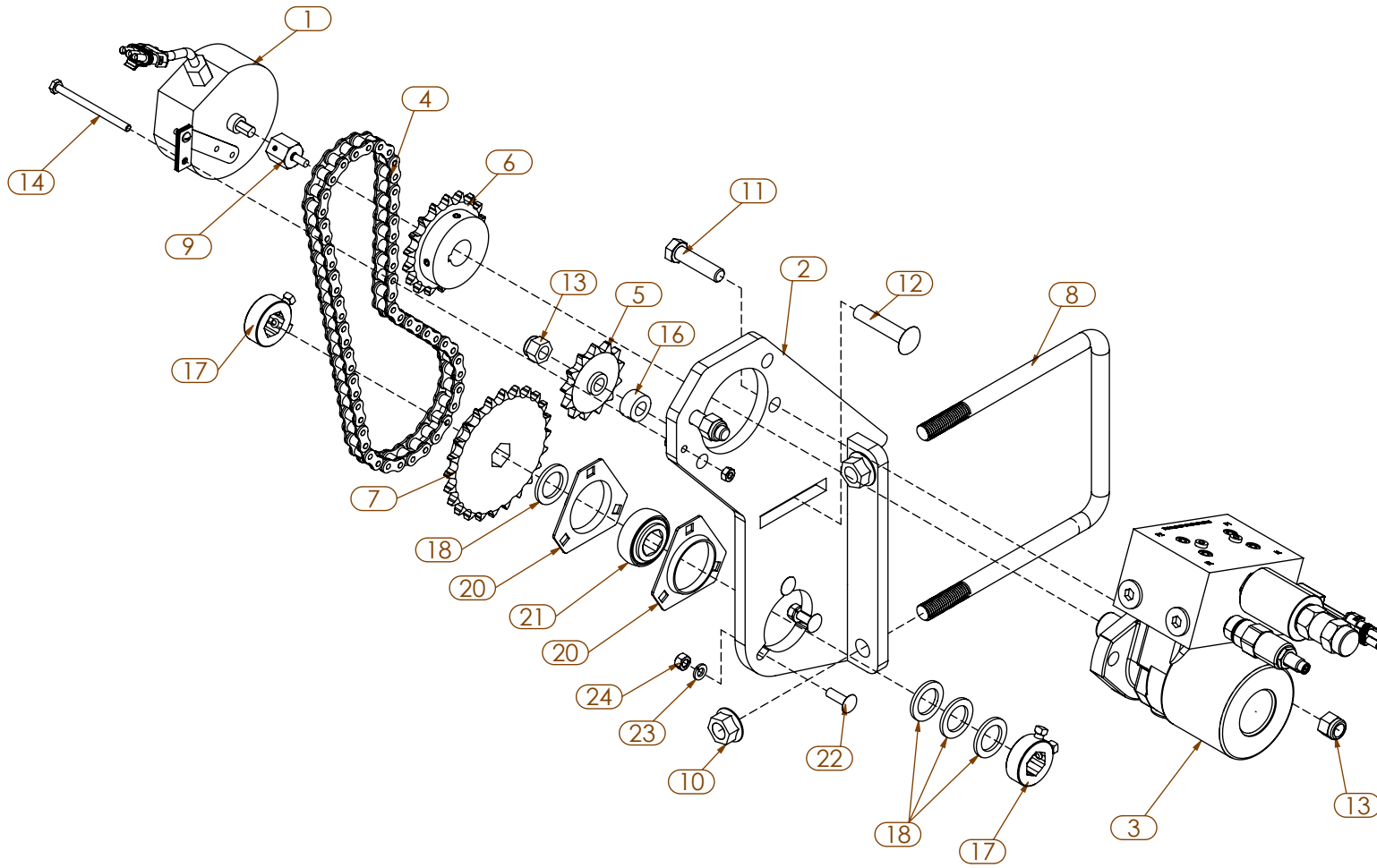
ITEM	PART NUMBER	DESCRIPTION
1	200972	CAT 4 HITCH WA - WRAPPED HITCH
2	200934	CAT IV TIE-BACK
3	O337-595	5 X 7 HITCH CLAMP WA
4	H-6951	BOLT, HEX, 3/4"-10 X 9-1/2" G8
5	W-6610	WASHER, SPLIT, 3/4", G8
6	N-6001	NUT, HEX, 3/4"-10, G8
7	STB-A-001	JACKSTAND BRACKET WA
8	STB-A-002	JACKSTAND LEG WA
9	STB-P-003	JACKSTAND PIN
10	801923	CAT 4 LOWER HITCH PIN
11	801924	CAT 4 UPPER HITCH PIN
12	4517.SA	END CAP, 7 X 5
13	900198	U-BOLT, 7 X 5 X 5/8"-11
14	N-5401	NUT, FLANGE, 5/8"-11
15	6077	LYNCH PIN, 6MM
16	O104-091	ROLL PIN, 1/2" X 3"
17	O104-022	SPLIT PIN, 1/4" X 2-1/2"
18	4502.SA	U-BOLT, 7 X 7 X 3/4-10
19	H-7351	BOLT, HEX, 1"-8 X 3-1/2" G8
20	N-8002	NUT, NYLOCK 1"-8 G8
21	H-7607	BOLT, HEX, 1"-8 X 7" G8
22	W-7610	WASHER, SPLIT, 1", G8
23	N-8001	NUT, HEX, 1"-8, G8
24	N-6101	NUT, NYLOCK 3/4"-10 G8

P-19



ITEM	PART NUMBER	DESCRIPTION
1	E6001.1L	SINGLE PLATE TRANSMISSION L WA
	E6001.1R	SINGLE PLATE TRANSMISSION R WA
2	800238	HANDLE WA
3	200476	IDLER WA
4	800237	HOOK
5	300592	CHAIN ROLLER
6	300591	SPRING, EXTENSION
7	180039	BEARING, COMPLETE w/ FLANGE
8	300596	FLANGETTE
9	300597	BEARING, 7/8" HEX
10	CB-1110	BOLT, CARR., 5/16"-18 X 1.00, G5
11	W-1410	WASHER, FLAT, 5/16" SAE G8
12	W-1610	WASHER, SPLIT, 5/16", G8
13	N-1001	NUT, HEX, 5/16"-18, G5
14	300588	GREASE ZERK - 1/4"-28
15	800446	SPROCKET STACK HOLDER WA
16	5128.G	SHIELD, L
	5128.D	SHIELD, R
17	200466	BRACKET WA
18	9724.2	CAMLOC BOLT
19	9726	WASHER RETAINER FOR CAMLOC
20	W-1410	WASHER, FLAT, 5/16" SAE G8
21	H-2120	BOLT, HEX, 5/16"-18 X 1-1/2" G5
22	W-1610	WASHER, SPLIT, 5/16", G8
23	N-1001	NUT, HEX, 5/16"-18, G5
24	H-2100	BOLT, HEX, 5/16"-18 X 1" G5
25	KD2971-10	SPACER, .625 X .406 X .562
26	G50B28	SPROCKET, #50, 28T
27	G50B26	SPROCKET, #50, 26T
28	G50B24	SPROCKET, #50, 24T
29	G50B23	SPROCKET, #50, 23T
30	G50B19	SPROCKET, #50, 19T

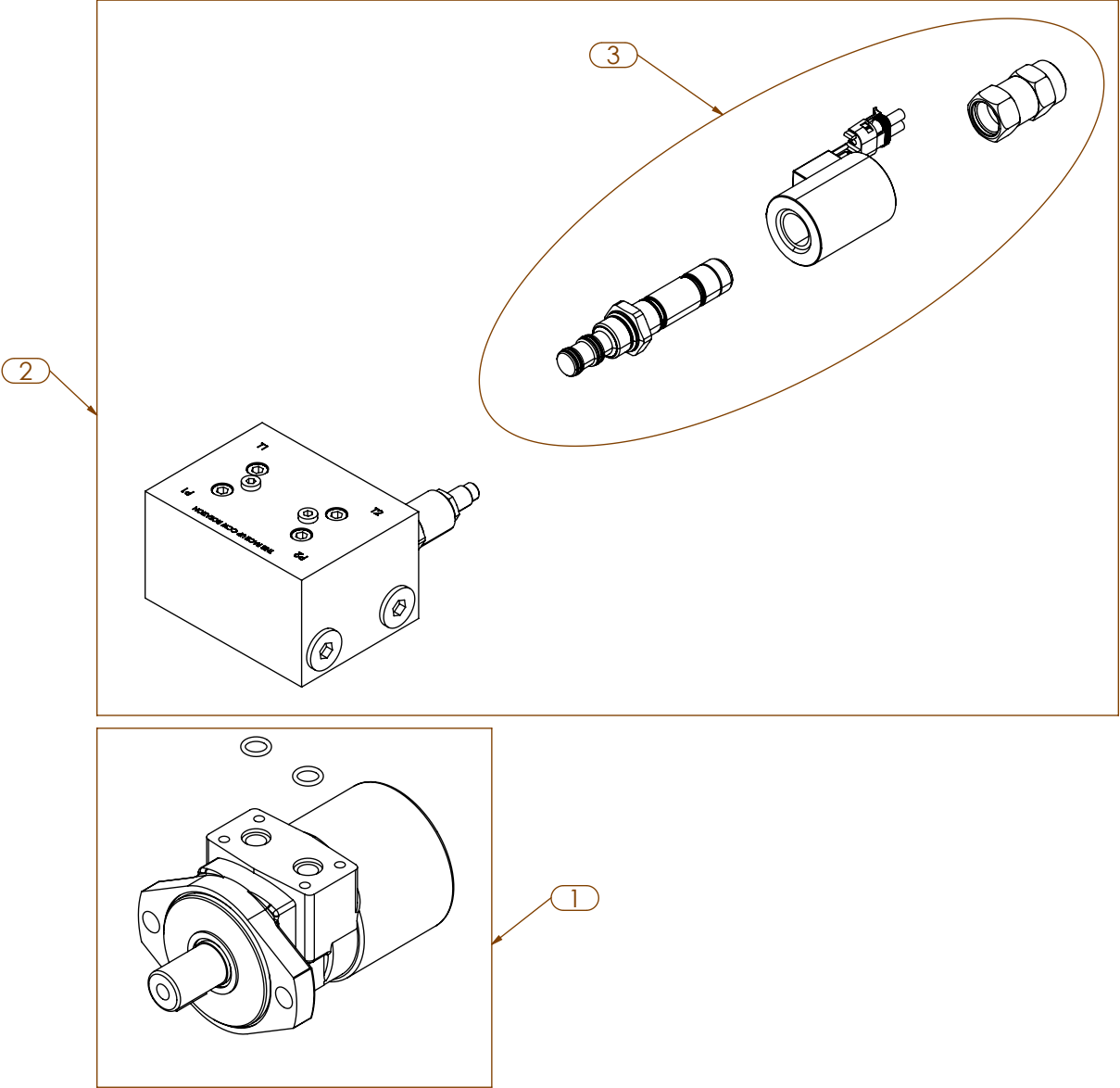
ITEM	PART NUMBER	DESCRIPTION
31	G50B18	SPROCKET, #50, 18T
32	G50B17	SPROCKET, #50, 17T
33	G50B14	SPROCKET, #50, 14T
34	10622024	WASHER, FLAT, 16.5 X 26 X 1
35	10172091	ROLL PIN, 6 X 30mm
36	10170065	SPLIT PIN, 5 X 30mm
37	H-3130	BOLT, HEX, 3/8"-16 X 1-3/4" G8
38	W-2210	WASHER, FLAT, 3/8" USS G8
39	N-2101	NUT, NYLOCK 3/8"-16 G8
40	6077	LYNCH PIN, 6MM
41	N-5401	NUT, FLANGE, 5/8"-11
42	4502.S	U-BOLT, 7 X 7 X 5/8-11
43	4795.A	CHAIN, #50, 72 PITCHES
44	K10233	BUSHING, 1.50 X 1.00 X .125
45	100288	HEX STOP



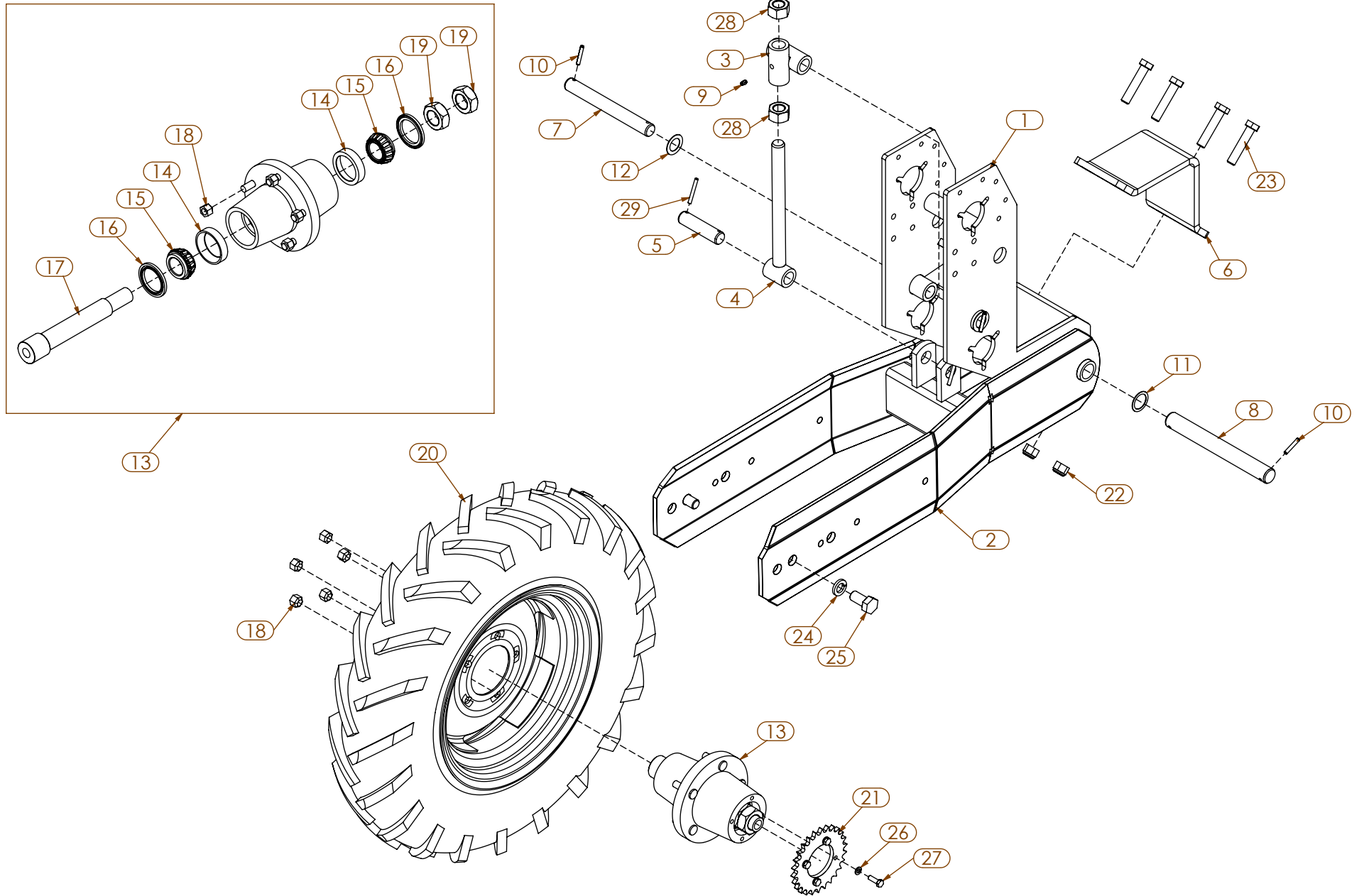
P-21

ITEM	PART NUMBER	DESCRIPTION
1	INT1410	RATE SENSOR, 1' CABLE
2	201156	METER DRIVE MOTOR MNT WA
3	INT1925	HYDRAULIC MOTOR
4	300486	CHAIN, #50, 56P, HYD. DR. STD.
5	G5013E	SPROCKET, #50, 13T, 1/2" BO
6	G50BS18	SPROCKET, #50, 18T
	G50BS11	SPROCKET, #50, 11T (FOR SYNC-ROW)
7	G50B24	SPROCKET, #50, 24T
8	4502.S	U-BOLT, 7 X 7 X 5/8-11
9	100263	COUPLER ASM, DJ APT RATE SENSOR
10	N-5401	NUT, FLANGE, 5/8"-11
11	H-4201	BOLT, HEX, 1/2"-13 X 2" G8
12	CB-4425	BOLT, CARR., 1/2"-13 X 2.50, G5
13	N-4101	NUT, NYLOCK 1/2"-13 G8
14	H-1350	BOLT, HEX, 1/4"-20 X 3-1/2" G5
15	N-0601	NUT, HEX, 1/4-20, G8
16	802203	BUSHING 1" X .531" X .563" L
17	100288	HEX STOP
18	K10233	BUSHING, 1.50 X 1.00 X .125
19	180039	BEARING, COMPLETE w/ FLANGE
20	300596	FLANGETTE
21	300597	BEARING, 7/8" HEX
22	CB-1110	BOLT, CARR., 5/16"-18 X 1.00, G5
23	W-1610	WASHER, SPLIT, 5/16", G8
24	N-1001	NUT, HEX, 5/16"-18, G5

P-23



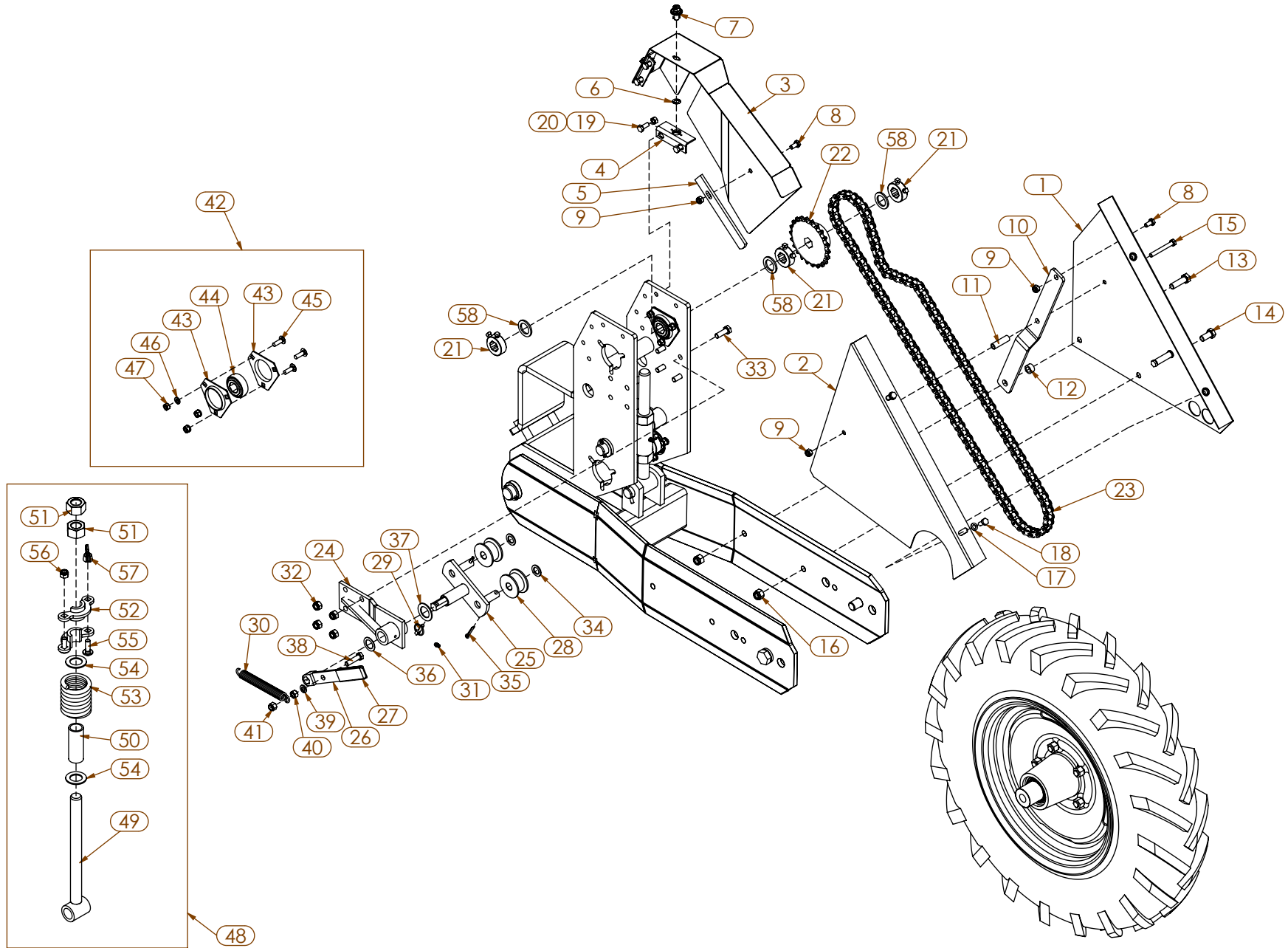
ITEM	PART NUMBER	DESCRIPTION
1	INT1931	MOTOR, HYD, 5.0 CUBIC INCH
2	INT1927	HYDRAULIC VALVE
3	INT1932	HYDRAULIC DRIVE, VALVE BLOCK ASM



P-25

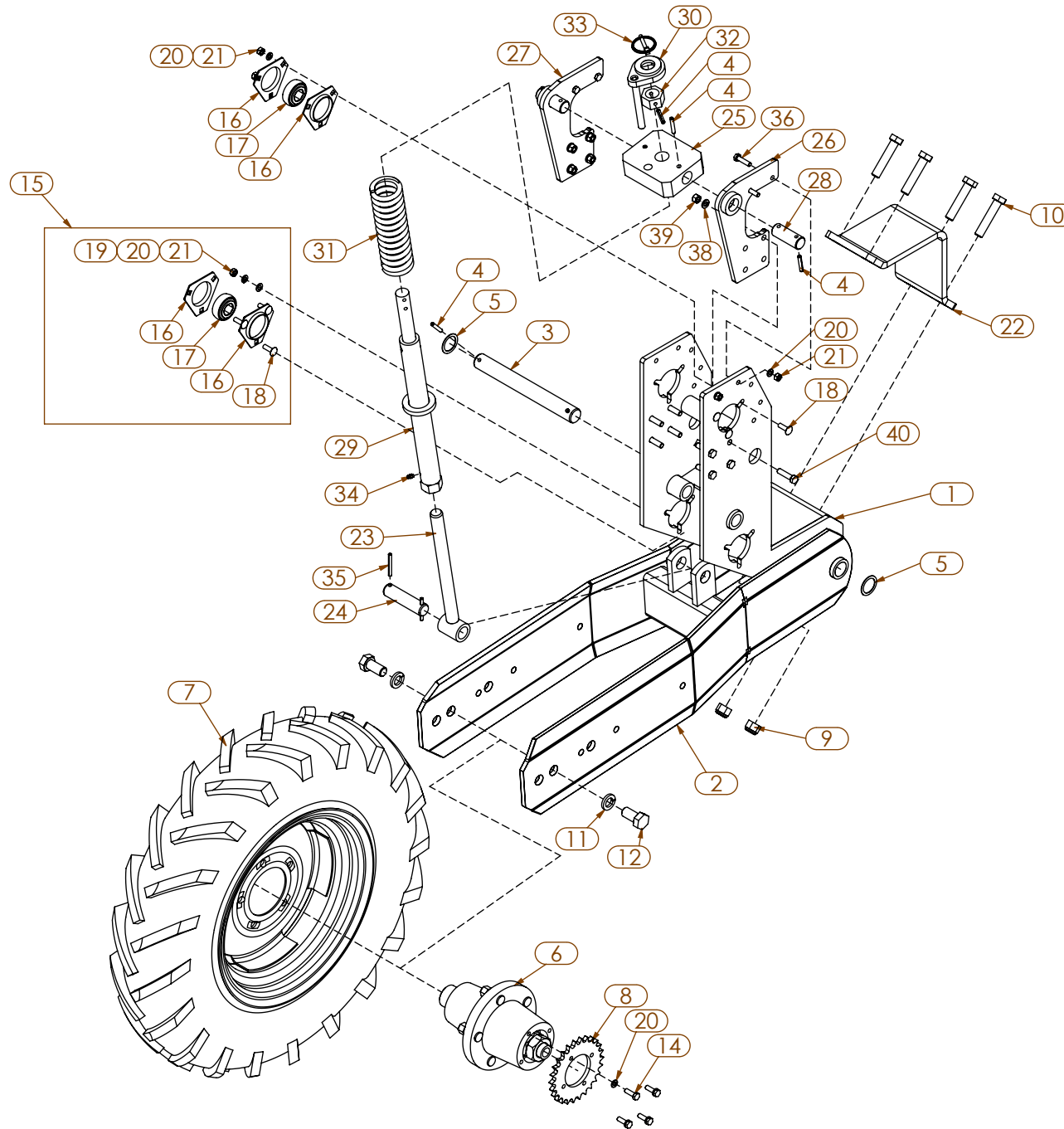
ITEM	PART NUMBER	DESCRIPTION
1	200182	WHEEL BLOCK MOUNT WA
2	200181	WHEEL FORK WA
3	200184	BUSHING TEE WA
4	200157	THREADED ROD WA, 24mm
5	801146	LOWER PIN
6	802678	V-CLAMP, 7 X 7, (4 HOLE)
7	801147	UPPER PIN
8	801144	PIN
9	300588	GREASE ZERK - 1/4"-28
10	F64251	ROLL PIN, 1/4" X 1-1/2"
11	10624014	WASHER, FLAT, 31 X 41 X 1
12	10623061	WASHER, FLAT, 26 X 41 X 1
13	100191	HUB ASM
14	P702216	CUP
15	P752318	TAPER BEARING
16	P602106	GREASE SEAL
17	AS7191-E-16	SPINDLE
18	P201602	LUG NUT, 1/2"-20
19	N-9600	NUT, HEX, JAM, 1-1/4"-12
20	900015.2	WHEEL ASM
21	300595	SPROCKET, 26 TEETH
22	N-5101	NUT, NYLOCK, 5/8"-11 G8
23	H-5301	BOLT, HEX, 5/8"-11 X 3" G8
24	W-6610	WASHER, SPLIT, 3/4", G8
25	H-6151	BOLT, HEX, 3/4"-10 X 1-1/2" G8
26	W-1610	WASHER, SPLIT, 5/16", G8
27	H-2100	BOLT, HEX, 5/16"-18 X 1" G5
28	NM-82401	NUT, HEX, 24mm, G8.8
29	10172095	ROLL PIN, 6 X 50mm

P-27



ITEM	PART NUMBER	DESCRIPTION
1	100229	CHAIN GUARD R ASM
	100230	CHAIN GUARD L ASM
2	802097	INSIDE R CHAIN GUARD
	802098	INSIDE L CHAIN GUARD
3	802099	UPPER CHAIN GUARD R
	802100	UPPER CHAIN GUARD L
4	200466	BRACKET WA
5	802142	SHIELD GUIDE BAR
6	9726	WASHER RETAINER FOR CAMLOC
7	9724.2	CAMLOC BOLT
8	HM-2816	HEX, BOLT, 8 X 16, G8.8
9	NM-1812	NUT, NYLOCK, 8mm, G8.8
10	802137	SHIELD MOUNTING BRACE
11	800626	SPACER
12	1538	SPACER
13	HM-61240	HEX, BOLT, 12 X 40, G8.8
14	HM-61225	HEX, BOLT, 12 X 25, G8.8
15	HM-2865	HEX, BOLT, 8 X 65, G8.8
16	NM-31205	NUT, NYLOCK, 12mm, G8.8
17	W-1410	WASHER, FLAT, 5/16" SAE G8
18	H-2075	BOLT, HEX, 5/16"-18 X 3/4" G5
19	HM-2820	HEX, BOLT, 8 X 20, G8.8
20	NM-1801	NUT, HEX, 8mm, G8.8
21	100288	HEX STOP
22	G50B22	SPROCKET, #50, 22T
	100296	SPROCKET, #50, 22T, CLUTCH R
	100297	SPROCKET, #50, 22T, CLUTCH L
	G50B32	SPROCKET, #50, 32T, SYNC-ROW
	100359	SPROCKET, #50, 32T, CLUTCH R, SYNC-ROW
	100360	SPROCKET, #50, 32T, CLUTCH L, SYNC-ROW
23	4791.A	CHAIN, #50, 130 PITCHES
	4791.7	CHAIN, #50, 8 PITCH EXTENSION
24	200185	IDLER SUPPORT BRACKET WA
25	200186	IDLER BRACKET WA

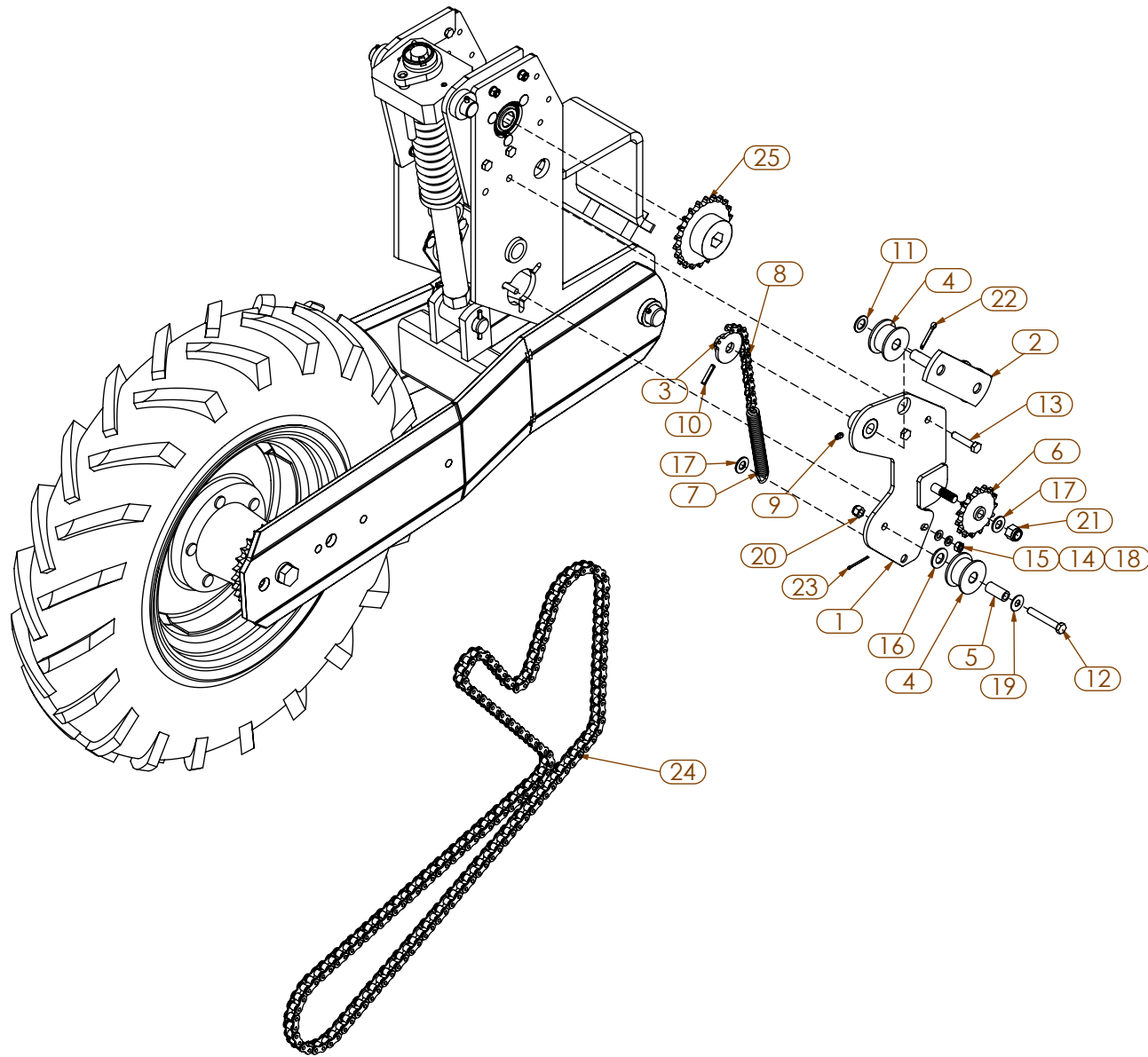
ITEM	PART NUMBER	DESCRIPTION
26	200187	HANDLE CHAIN TIGHTNER WA
27	300593	HANDLE COVER
28	300592	CHAIN ROLLER
29	300594	LYNCH PIN
30	300591	SPRING, EXTENSION
31	300588	GREASE ZERK - 1/4"-28
32	NM-21015	NUT, NYLOCK, 10mm, G8.8
33	HM-41030	HEX, BOLT, 10 X 30, G8.8
34	10622026	WASHER, FLAT, 16.5 X 26 X 2
35	10170065	SPLIT PIN, 5 X 30mm
36	10623009	WASHER, FLAT, 21 X 32 X 1
37	10623063	WASHER, FLAT, 26 X 41 X 2
38	H-3120	BOLT, HEX, 3/8"-16 X 1-1/2" G8
39	W-2610	WASHER, SPLIT, 3/8", G8
40	N-2001	NUT, HEX, 3/8"-16, G8
41	N-2101	NUT, NYLOCK 3/8"-16 G8
42	180039	BEARING, COMPLETE w/ FLANGE
43	300596	FLANGETTE
44	300597	BEARING, 7/8" HEX
45	CB-1110	BOLT, CARR., 5/16"-18 X 1.00, G5
46	W-1610	WASHER, SPLIT, 5/16", G8
47	N-1001	NUT, HEX, 5/16"-18, G5
48	180041	SPRING KIT
49	4775.S	THREADED ROD WA, 24mm
50	900420	TUBE, 1.25 X 1.00 X 3.25
51	NM-82401	NUT, HEX, 24mm, G8.8
52	800439	SPLIT BUSHING WA
53	900318.A	SPRING, COMPRESSION
54	W-7410	WASHER, FLAT, 1" SAE G8
55	CBM-31030	CARR. BOLT, 10 X 30mm, CL8.8
56	NM-21015	NUT, NYLOCK, 10mm, G8.8
57	NM-21016	WING NUT, 10mm
58	K10233	BUSHING, 1.50 X 1.00 X .125



P-29

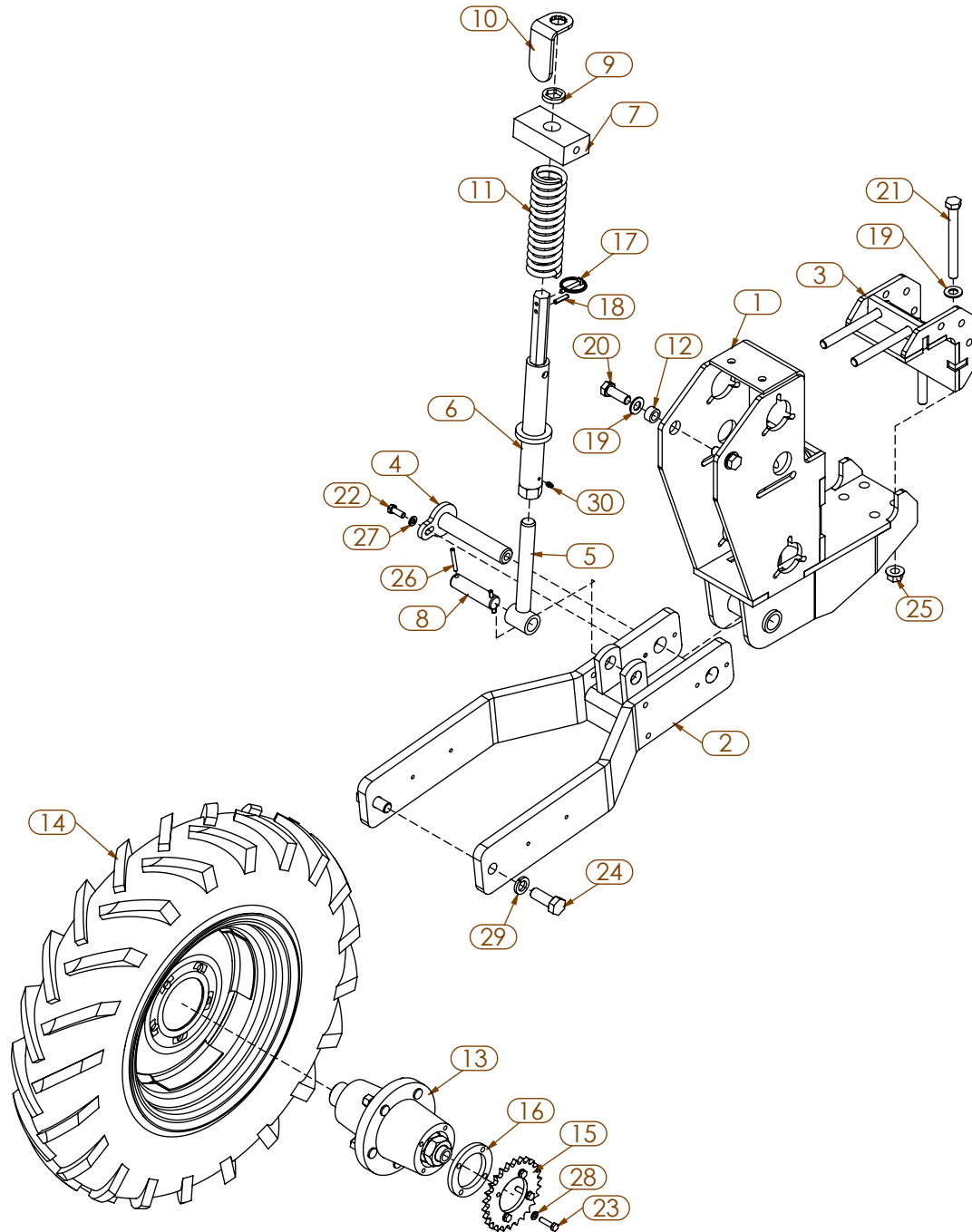
ITEM	PART NUMBER	DESCRIPTION
1	200182	WHEEL BLOCK MOUNT WA
2	200181	WHEEL FORK WA
3	801144	PIN
4	F64251	ROLL PIN, 1/4" X 1-1/2"
5	10624014	WASHER, FLAT, 31 X 41 X 1
6	100191	HUB ASM
7	900015.2	WHEEL ASM
8	300595	SPROCKET, 26 TEETH
9	N-5101	NUT, NYLOCK, 5/8"-11 G8
10	H-5301	BOLT, HEX, 5/8"-11 X 3" G8
11	W-6610	WASHER, SPLIT, 3/4", G8
12	H-6151	BOLT, HEX, 3/4"-10 X 1-1/2" G8
13	W-1610	WASHER, SPLIT, 5/16", G8
14	H-2100	BOLT, HEX, 5/16"-18 X 1" G5
15	180039	BEARING, COMPLETE w/ FLANGE
16	300596	FLANGETTE
17	300597	BEARING, 7/8" HEX
18	CB-1110	BOLT, CARR., 5/16"-18 X 1.00, G5
19	W-1410	WASHER, FLAT, 5/16" SAE G8
20	W-1610	WASHER, SPLIT, 5/16", G8
21	N-1001	NUT, HEX, 5/16"-18, G5
22	802678	V-CLAMP, 7 X 7, (4 HOLE)
23	200157	THREADED ROD WA, 24mm
24	801146	LOWER PIN
25	802088	TRUNION
26	200470	MOUNTING PLATE R WA
27	200435	MOUNTING PLATE L WA
28	802757	TRUNION PIN
29	200440	INTERNAL ADJUSTER WA
30	200439	LOCK WA

ITEM	PART NUMBER	DESCRIPTION
31	300589	SPRING, COMPRESSION
32	802091	HEX COLLAR
33	6077	LYNCH PIN, 6MM
34	300588	GREASE ZERK - 1/4"-28
35	10172095	ROLL PIN, 6 X 50mm
36	H-2104	BOLT, HEX, 5/16"-18 X 1-1/4" G5
37	N-1001	NUT, HEX, 5/16"-18, G5
38	W-2610	WASHER, SPLIT, 3/8", G8
39	N-2001	NUT, HEX, 3/8"-16, G8
40	H-3120	BOLT, HEX, 3/8"-16 X 1-1/2" G8



P-31

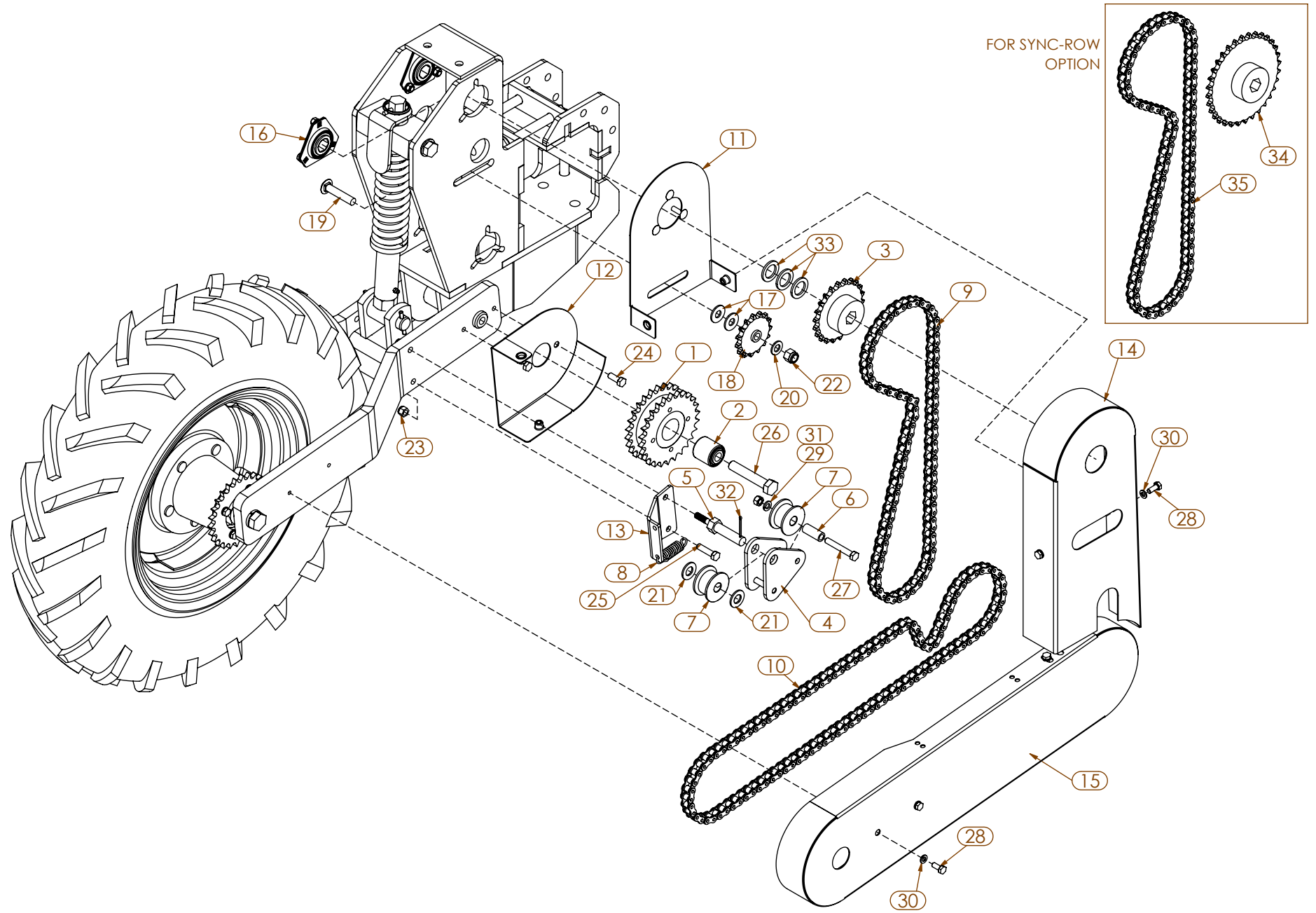
ITEM	PART NUMBER	DESCRIPTION
1	200829	MOUNT R WA
	200837	MOUNT L WA
2	200831	IDLER WA
3	200830	CHAIN RAIL WA
4	300592	CHAIN ROLLER
5	803313	BUSHING, .625 X .400 X 1.375
6	G5015E	SPROCKET, #50, 15T
7	300591	SPRING, EXTENSION
8	300729	CHAIN, #41, 14 PITCHES
9	300588	GREASE ZERK - 1/4"-28
10	F64249	ROLL PIN, 1/4" X 1-1/4"
11	10622026	WASHER, FLAT, 16.5 X 26 X 2
12	H-3220	BOLT, HEX, 3/8"-16 X 2-1/2" G8
13	H-3130	BOLT, HEX, 3/8"-16 X 1-3/4" G8
14	W-1610	WASHER, SPLIT, 5/16", G8
15	N-1001	NUT, HEX, 5/16"-18, G5
16	W-5410	WASHER, FLAT, 5/8" SAE G8
17	W-4410	WASHER, FLAT, 1/2" SAE G8
18	W-1410	WASHER, FLAT, 5/16" SAE G8
19	W-2210	WASHER, FLAT, 3/8" USS G8
20	N-2101	NUT, NYLOCK 3/8"-16 G8
21	N-4101	NUT, NYLOCK 1/2"-13 G8
22	10170065	SPLIT PIN, 5 X 30mm
23	10170024	SPLIT PIN, 3 X 35mm
24	300929	CHAIN, #50, 150 PITCHES
25	G50B22	SPROCKET, #50, 22T



P-33

ITEM	PART NUMBER	DESCRIPTION
1	201082	WHEELBLOCK MOUNT WA
2	200683	WHEEL FORK WA
3	201083	COUNTER CLAMP WA
4	200684	PIVOT PIN WA
5	200685	THREADED ROD WA
6	201088	INTERNAL ADJUSTER WA
7	804087	TRUNION
8	801146	LOWER PIN
9	804118	SPACER
10	804091	KEEPER
11	300589	SPRING, COMPRESSION
12	L71505214	BUSHING, 1"
13	100191	HUB ASM
14	900015.2	WHEEL ASM
15	300595	SPROCKET, 26 TEETH
16	802824	SPACER
17	6077	LYNCH PIN, 6MM
18	F64249	ROLL PIN, 1/4" X 1-1/4"
19	W-5410	WASHER, FLAT, 5/8" SAE G8
20	H-5130	BOLT, HEX, 5/8"-11 X 1-3/4" G8
21	H-5601	BOLT, HEX, 5/8"-11 X 6" G8
22	H-3100	BOLT, HEX, 3/8"-16 X 1" G8
23	H-2104	BOLT, HEX, 5/16"-18 X 1-1/4" G5
24	H-6201	BOLT, HEX, 3/4"-10 X 2" G8
25	N-5401	NUT, FLANGE, 5/8"-11
26	10172095	ROLL PIN, 6 X 50mm
27	W-2610	WASHER, SPLIT, 3/8", G8
28	W-1610	WASHER, SPLIT, 5/16", G8
29	W-6610	WASHER, SPLIT, 3/4", G8
30	300588	GREASE ZERK - 1/4"-28

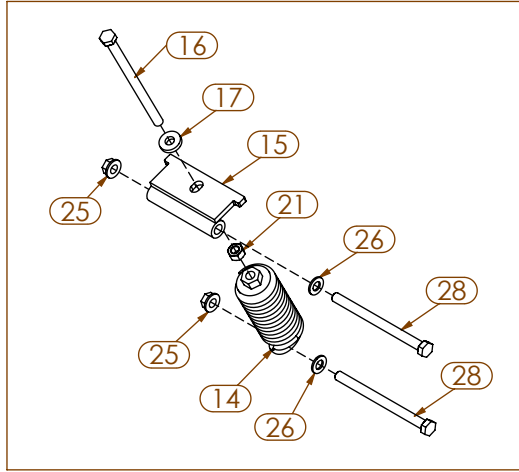
P-35



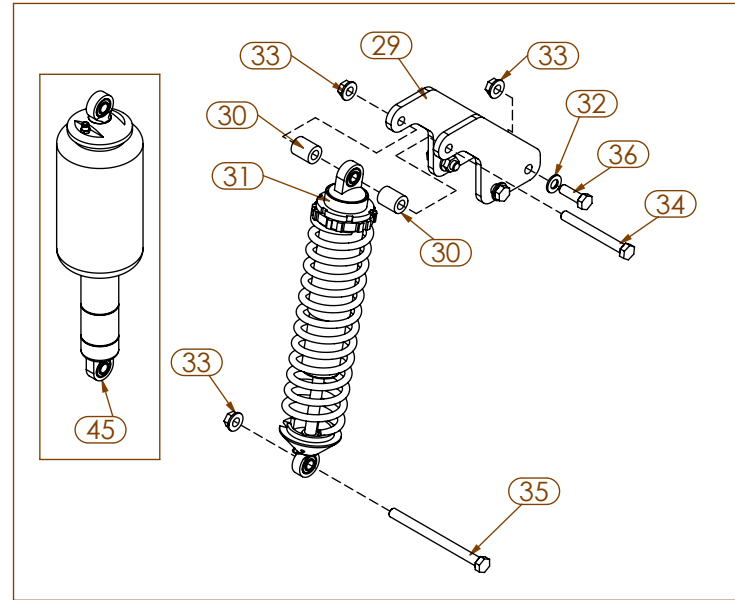
ITEM	PART NUMBER	DESCRIPTION
1	200687	SPROCKET WA, DOUBLE #50, 26T
2	900125	BEARING, 40mm
3	G50B22	SPROCKET, #50, 22T
4	200855	IDLER WA
5	802840	PIVOT PIN
6	802842	BUSHING, .625 X .406 X 1.500
7	300592	CHAIN ROLLER
8	300744	SPRING
9	300509	CHAIN, #50, 84 PITCHES
10	300957	CHAIN, #50, 106 PITCHES
11	100742	INSIDE GUARD MOUNT ASM
	100751	INSIDE GUARD MOUNT ASM, L
12	100743	INNER GUARD MNT ASM R
	100744	INNER GUARD MNT ASM L
13	802839	BRACKET, TENSIONER
14	200851	GUARD WA, UPPER R
	201175	GUARD WA, UPPER L
15	200688	LOWER GUARD WA
16	180039	BEARING, COMPLETE w/ FLANGE
17	W-4210	WASHER, FLAT, 1/2" USS G8
18	G5015E	SPROCKET, #50, 15T
19	CB-4425	BOLT, CARR., 1/2"-13 X 2.50, G5
20	W-4410	WASHER, FLAT, 1/2" SAE G8
21	W-5410	WASHER, FLAT, 5/8" SAE G8
22	N-4101	NUT, NYLOCK 1/2"-13 G8
23	N-2101	NUT, NYLOCK 3/8"-16 G8
24	H-3100	BOLT, HEX, 3/8"-16 X 1" G8
25	H-3120	BOLT, HEX, 3/8"-16 X 1-1/2" G8
26	H-5351	BOLT, HEX, 5/8"-11 X 3-1/2" G8
27	H-3220	BOLT, HEX, 3/8"-16 X 2-1/2" G8
28	H-2075	BOLT, HEX, 5/16"-18 X 3/4" G5

ITEM	PART NUMBER	DESCRIPTION
29	W-2610	WASHER, SPLIT, 3/8", G8
30	W-1610	WASHER, SPLIT, 5/16", G8
31	N-2001	NUT, HEX, 3/8"-16, G8
32	10170024	SPLIT PIN, 3 X 35mm
33	K10233	BUSHING, 1.50 X 1.00 X .125
34	G50B32	SPROCKET, #50, 32T
35	301017	CHAIN, #50, 88 PITCHES

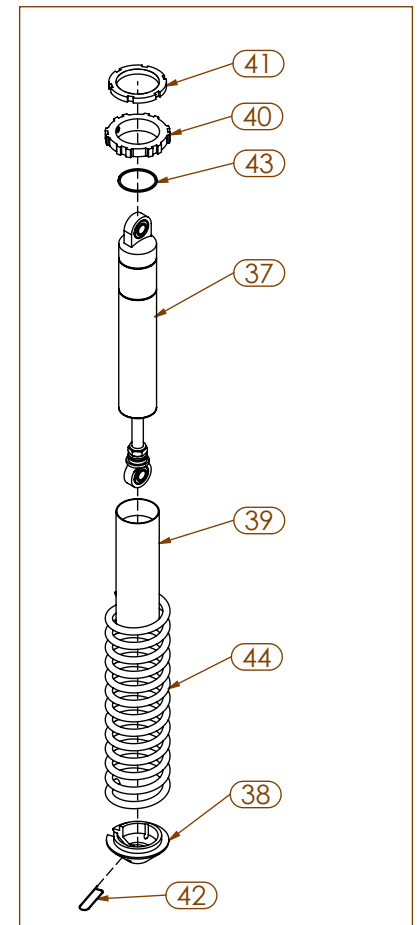
STANDARD SPRING DOWNFORCE



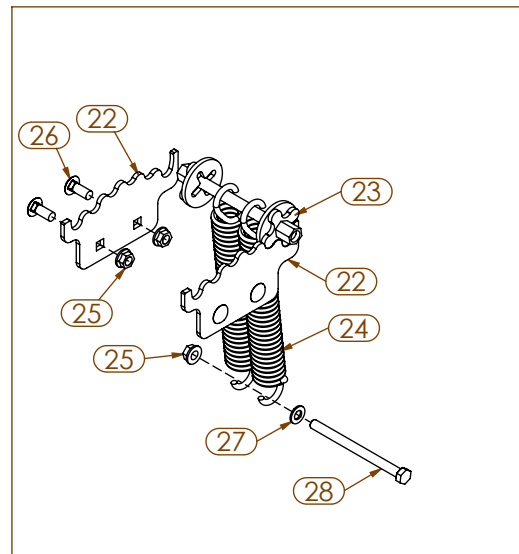
MONOSHOX DOWNFORCE



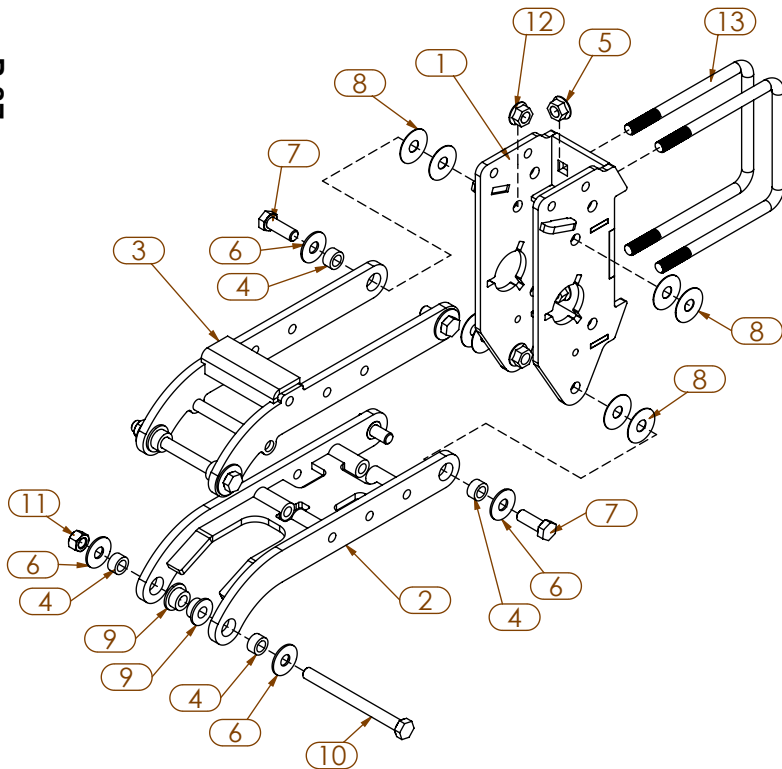
MONOSHOX



QUICK-ADJUST HD SPRING DOWNFORCE

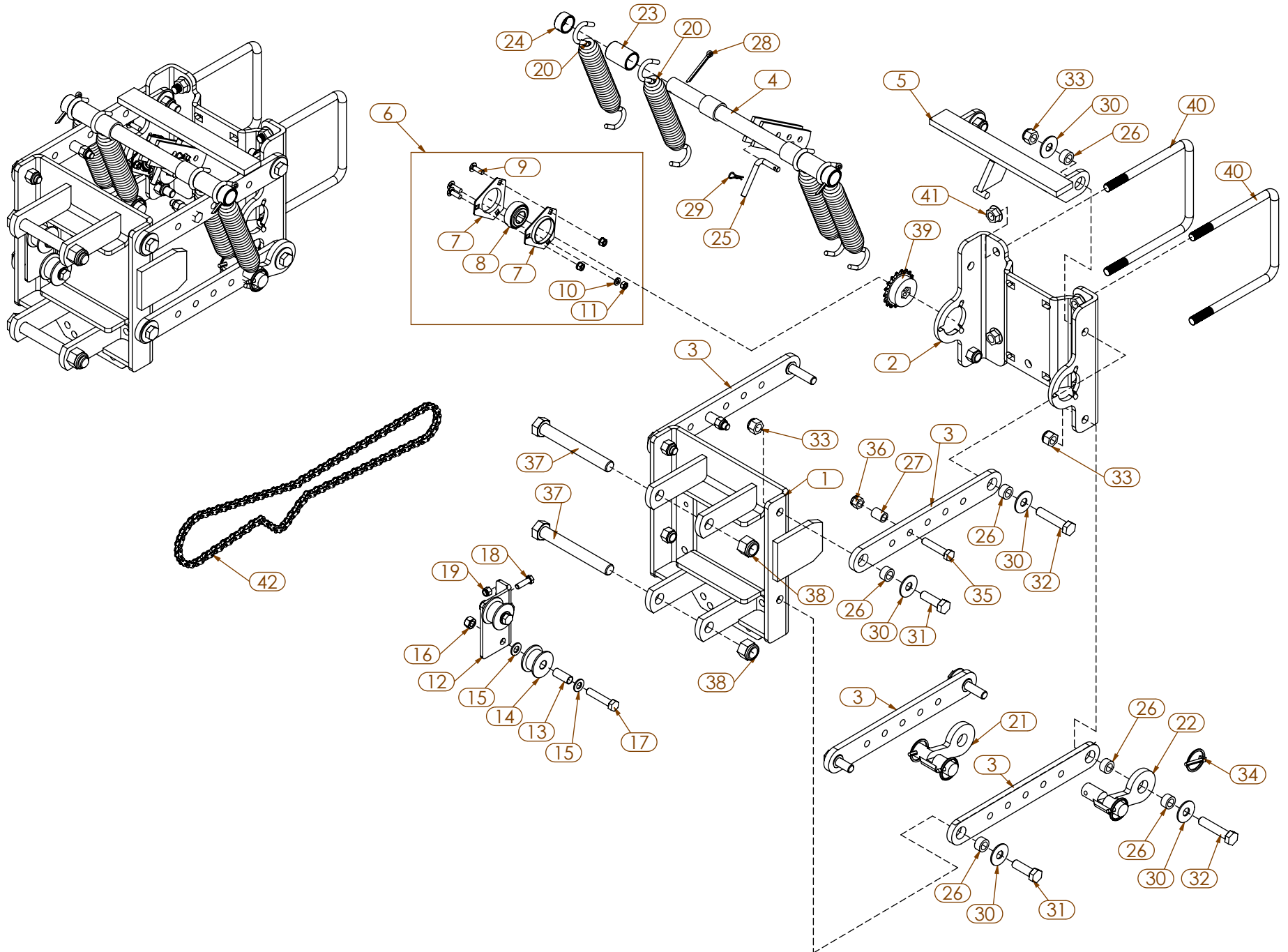


P-37



ITEM	PART NUMBER	DESCRIPTION
1	201042	CLAMPFACE
2	201100	LOWER LINK WA
3	201142	TOP LINK WA
4	L71505214	BUSHING, 1"
5	N-5401	NUT, FLANGE, 5/8"-11
6	W-5210	WASHER, FLAT, 5/8" USS G8
7	H-5130	BOLT, HEX, 5/8"-11 X 1-3/4" G8
8	10622052	WASHER, FLAT, 17 X 50 X 1
9	803995	FLANGE BUSHING, 1.072 X .656 X 0.500
10	H-5701	BOLT, HEX, 5/8"-11 X 7" G8
11	N-5301	NUT, HEX, CL, 5/8"-11
12	N-5201	NUT, CENTER LOCK FLANGE, 5/8"-11
13	4502.S	U-BOLT, 7 X 7 X 5/8-11
14	KA2068	HD SPRING
15	201058	SPRING MOUNT WA
16	H-4805	BOLT, HEX, 1/2"-13 X 8", AT, G5
17	10621056	WASHER, FLAT, 13 X 30 X 6
18	W-4410	WASHER, FLAT, 1/2" SAE G8
19	H-4620	BOLT, HEX, 1/2"-13 X 6-1/2" G8
20	N-4201	NUT, SER. FLANGE, 1/2"-13
21	N-4001	NUT, HEX, 1/2"-13, G8
22	804282	SPRING CAM PLATE
23	201153	CAM ROLLER WA
24	301037	SPRING, EXTENSION - 13.00"
25	N-4201	NUT, SER. FLANGE, 1/2"-13
26	CB-4410	BOLT, CARR., 1/2"-13 X 1-1/4", G5
27	W-4410	WASHER, FLAT, 1/2" SAE G8
28	H-4620	BOLT, HEX, 1/2"-13 X 6-1/2" G8
29	804007	PLATE, SHOCK MNT
30	804003	SPACER, 1.00 X .532 X 1.25

ITEM	PART NUMBER	DESCRIPTION
31	100017	SHOCK ASM
32	W-4410	WASHER, FLAT, 1/2" SAE G8
33	N-4201	NUT, SER. FLANGE, 1/2"-13
34	H-4415	BOLT, HEX, 1/2"-13 X 4-1/2" G8
35	H-4620	BOLT, HEX, 1/2"-13 X 6-1/2" G8
36	H-4120	BOLT, HEX, 1/2"-13 X 1-1/2" G8
37	Q2679-1B	STEEL GAS MONOTUBE
38	300185	CAP, SPRING-LARGE BODY
39	300186	SLEEVE, LARGE BODY
40	300187	NUT, SEAT SPRING
41	300188	NUT, LOCK
42	300189	PIN, SPRING CAP
43	300192	RING, RETAINING
44	Q14-110	SPRING
45	300689	AIRSHOCK

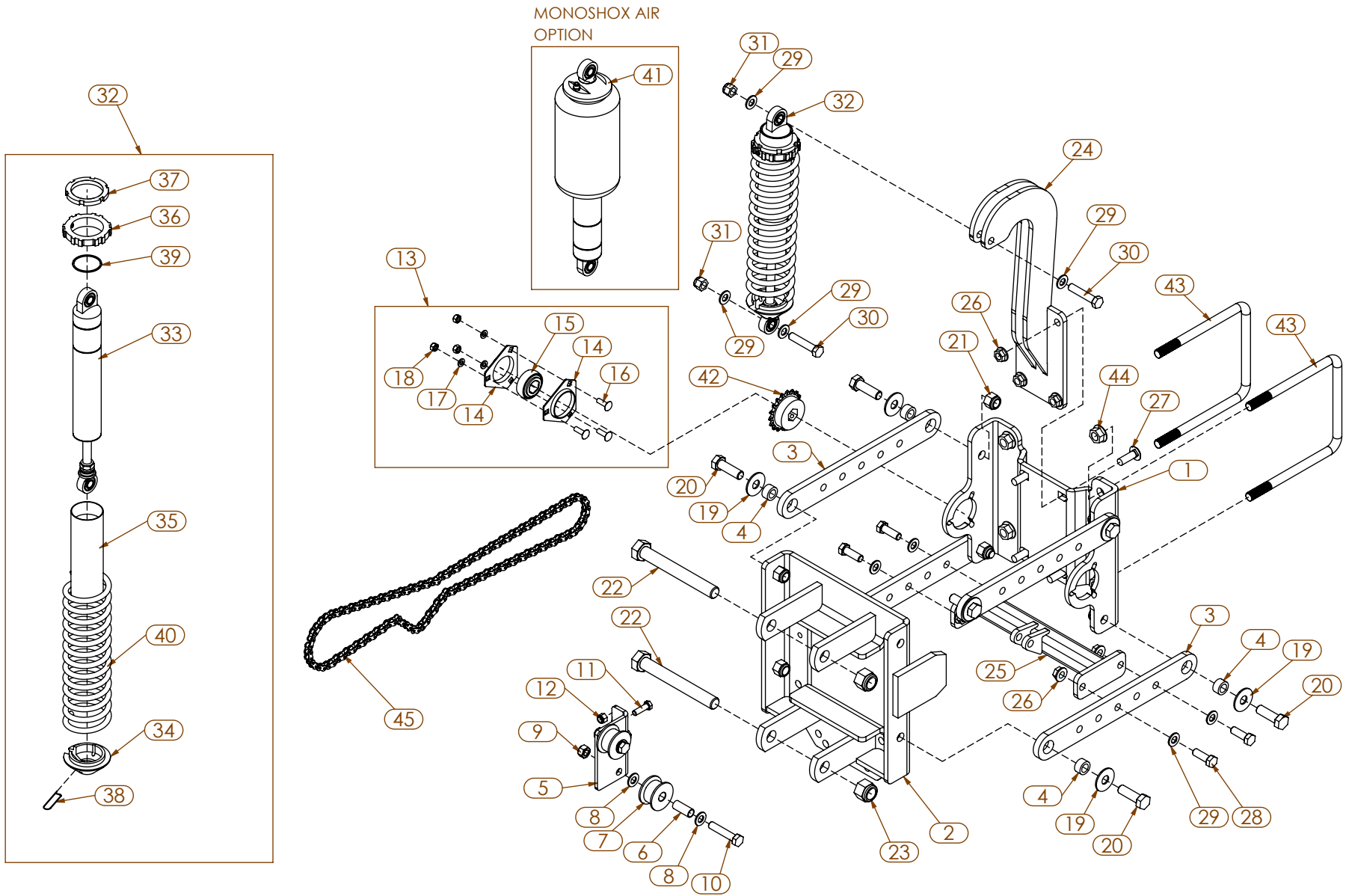


P-39

ITEM	PART NUMBER	DESCRIPTION
1	200623	MONOSHOX UNIT MNT PLATE
2	803225	CLAMPFACE, NO-TILL
3	803557	PLATE, PARALLEL ARM
4	907067	SPRING BAR WA
5	907130	FRONT BAR WA
6	180039	BEARING, COMPLETE w/ FLANGE
7	300596	FLANGETTE
8	300597	BEARING, 7/8" HEX
9	CB-1110	BOLT, CARR., 5/16"-18 X 1.00, G5
10	W-1610	WASHER, SPLIT, 5/16", G8
11	N-1001	NUT, HEX, 5/16"-18, G5
12	800310	IDLER MOUNT
13	E7523.1	BUSHING, .625 X .510 X 1.50
14	300592	CHAIN ROLLER
15	W-4410	WASHER, FLAT, 1/2" SAE G8
16	N-4301	NUT, HEX, CL, 1/2"-13
17	H-4220	BOLT, HEX, 1/2"-13 X 2-1/2" G8
18	H-3104	BOLT, HEX, 3/8"-16 X 1-1/4"
19	N-2101	NUT, NYLOCK 3/8"-16 G8
20	L124630	SPRING W/ SWIVEL HOOKS
21	L124591	SPRING ANCHOR L
22	L124592	SPRING ANCHOR R
23	L124645	SPACER
24	L125007	BUSHING
25	L124643	PIN
26	L71505214	BUSHING, 1"
27	L124709	BUSHING
28	10170097	SPLIT PIN, 6 X 60mm
29	7091	HITCH PIN CLIP
30	W-5210	WASHER, FLAT, 5/8" USS G8

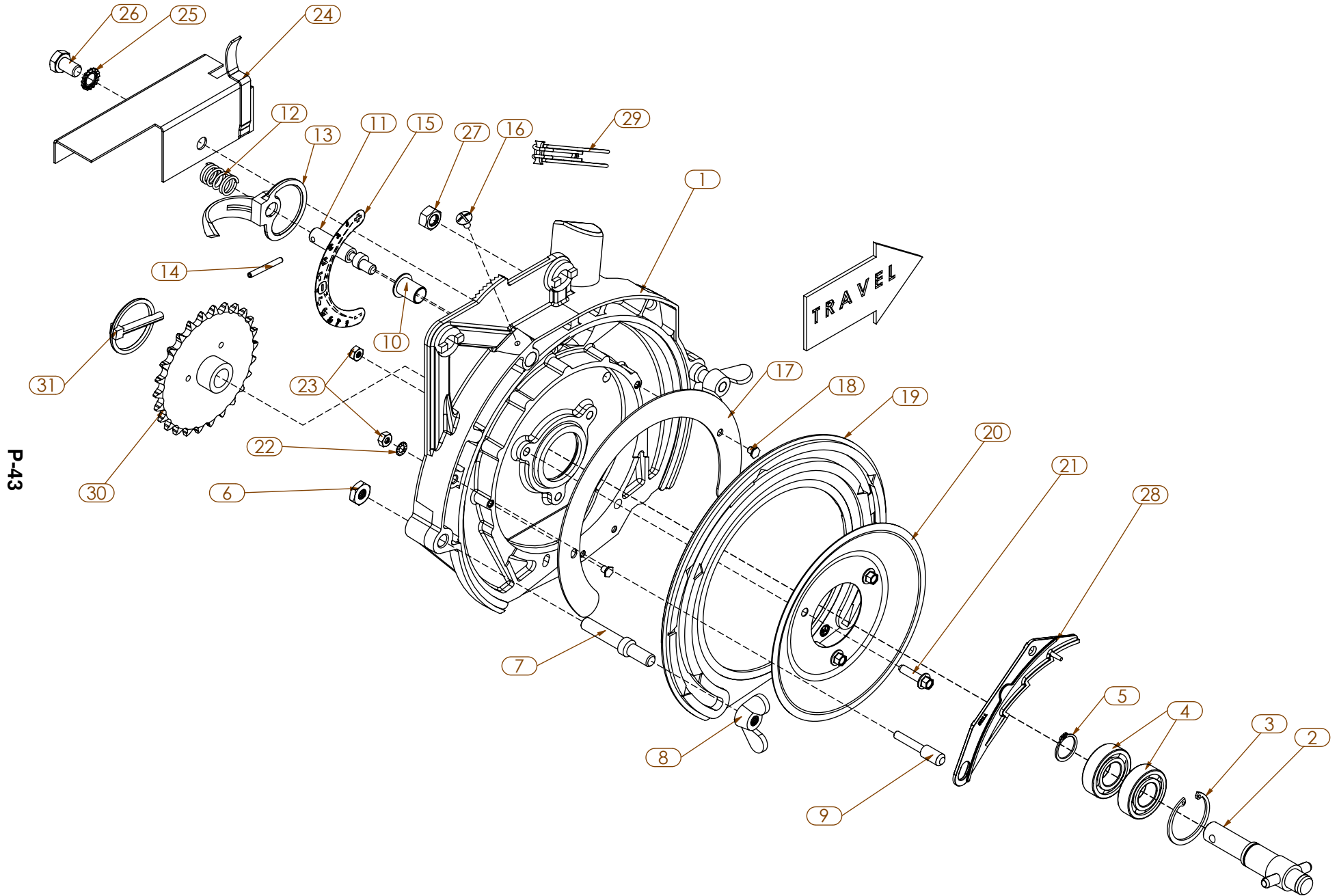
ITEM	PART NUMBER	DESCRIPTION
31	H-5201	BOLT, HEX, 5/8"-11 X 2" G8
32	H-5301	BOLT, HEX, 5/8"-11 X 3" G8
33	N-5101	NUT, NYLOCK, 5/8"-11 G8
34	6077	LYNCH PIN, 6MM
35	H-4220	BOLT, HEX, 1/2"-13 X 2-1/2" G8
36	N-4101	NUT, NYLOCK 1/2"-13 G8
37	H-7111	BOLT, HEX, 7/8"-9 X 7" G8
38	N-7002	NUT, NYLOCK 7/8"-9, G8
39	G41B18	SPROCKET, #41, 18T
40	4502.S	U-BOLT, 7 X 7 X 5/8-11
41	N-5401	NUT, FLANGE, 5/8"-11
42	300633	CHAIN, #41, 120 PITCHES

P-41



ITEM	PART NUMBER	DESCRIPTION
1	803225	CLAMPFACE, NO-TILL
2	200623	MONOSHOX UNIT MNT PLATE
3	803557	PLATE, PARALLEL ARM
4	L71505214	BUSHING, 1"
5	800310	IDLER MOUNT
6	E7523.1	BUSHING, .625 X .510 X 1.50
7	300592	CHAIN ROLLER
8	W-4410	WASHER, FLAT, 1/2" SAE G8
9	N-4301	NUT, HEX, CL, 1/2"-13
10	H-4220	BOLT, HEX, 1/2"-13 X 2-1/2" G8
11	H-3104	BOLT, HEX, 3/8"-16 X 1-1/4"
12	N-2101	NUT, NYLOCK 3/8"-16 G8
13	180039	BEARING, COMPLETE w/ FLANGE
14	300596	FLANGETTE
15	300597	BEARING, 7/8" HEX
16	CB-1110	BOLT, CARR., 5/16"-18 X 1.00, G5
17	W-1610	WASHER, SPLIT, 5/16", G8
18	N-1001	NUT, HEX, 5/16"-18, G5
19	W-5210	WASHER, FLAT, 5/8" USS G8
20	H-5201	BOLT, HEX, 5/8"-11 X 2" G8
21	N-5101	NUT, NYLOCK, 5/8"-11 G8
22	H-7111	BOLT, HEX, 7/8"-9 X 7" G8
23	N-7002	NUT, NYLOCK 7/8"-9, G8
24	200796	MONOSHOX MNT
25	200797	LOWER SHOCK MNT WA.
26	N-4201	NUT, SER. FLANGE, 1/2"-13
27	CB-4411	BOLT, CARR., 1/2"-13 X 1.50, G5
28	H-4120	BOLT, HEX, 1/2"-13 X 1-1/2" G8
29	W-4410	WASHER, FLAT, 1/2" SAE G8
30	H-4220	BOLT, HEX, 1/2"-13 X 2-1/2" G8

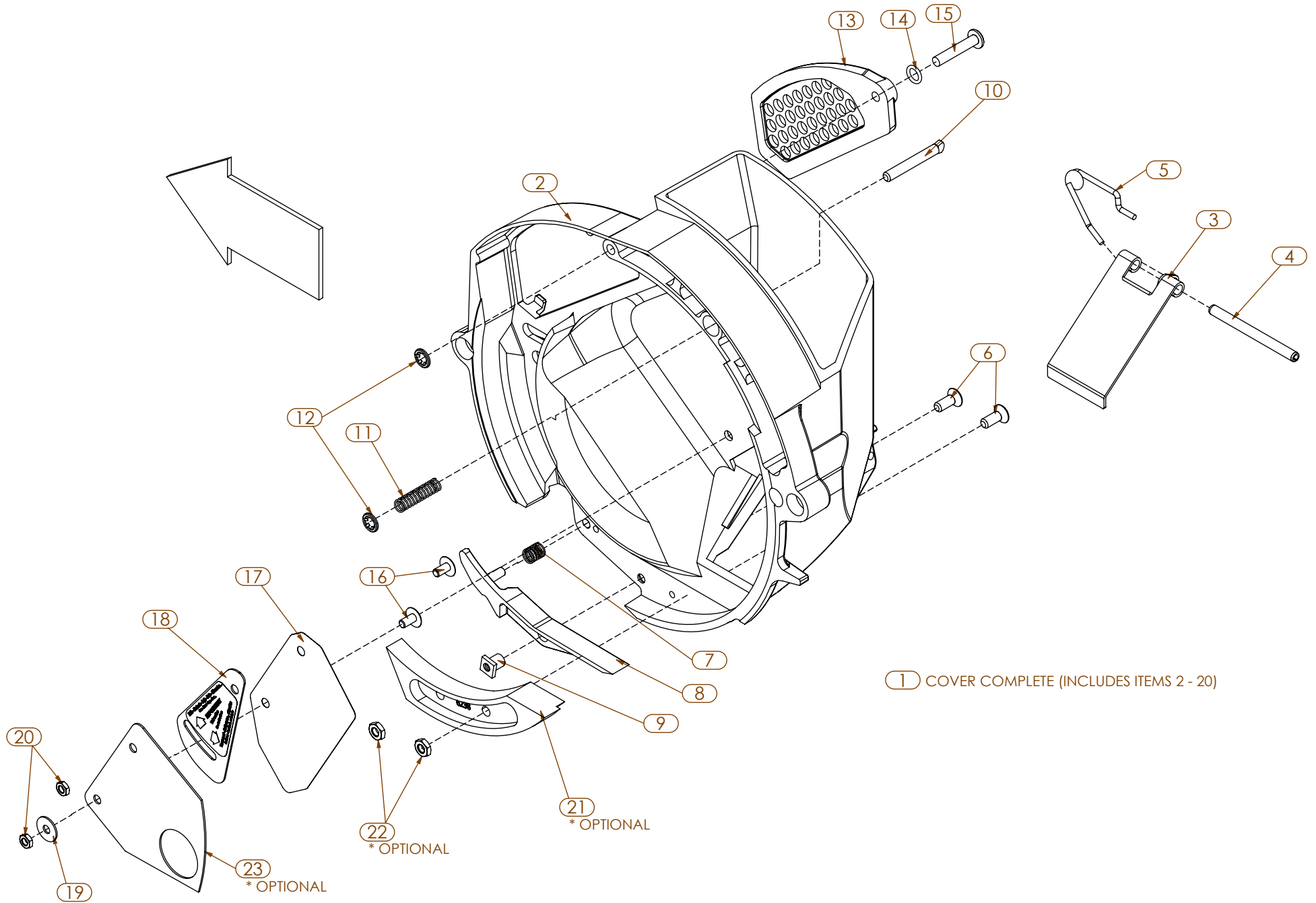
ITEM	PART NUMBER	DESCRIPTION
31	N-4101	NUT, NYLOCK 1/2"-13 G8
32	100017	SHOCK ASM
33	Q2679-1B	STEEL GAS MONOTUBE
34	300185	CAP, SPRING-LARGE BODY
35	300186	SLEEVE, LARGE BODY
36	300187	NUT, SEAT SPRING
37	300188	NUT, LOCK
38	300189	PIN, SPRING CAP
39	300192	RING, RETAINING
40	Q14-110	SPRING
41	300689	AIRSHOCK
42	G41B18	SPROCKET, #41, 18T
43	4502.S	U-BOLT, 7 X 7 X 5/8-11
44	N-5401	NUT, FLANGE, 5/8"-11
45	300633	CHAIN, #41, 120 PITCHES



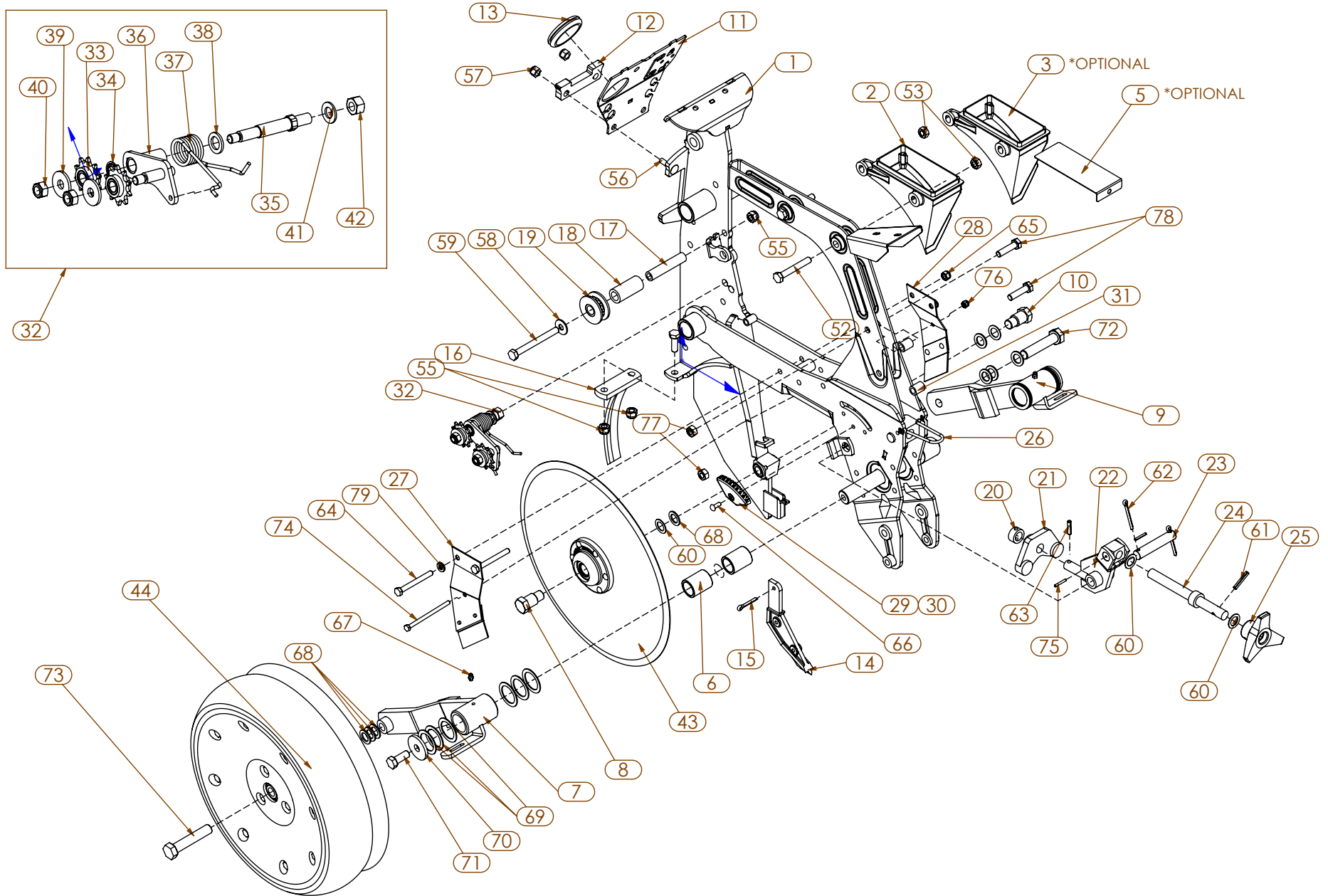
P-43

ITEM	PART REF.	DESCRIPTION
1	20021564	METER BOX HOUSING
2	6207	NG UNIT SHAFT
3	4329.A	SNAP RING, INTERNAL, 27MM
4	6221	BEARING, METER SHAFT
5	6213	SNAP RING, EXTERNAL, 20MM
6	NM-21011	NUT, JAM, 10MM
7	6208	STUD, METER COVER
8	5692	WINGNUT, 10MM
9	6216	PIN, FIXED FOR SEED SINGULATOR
10	10200184	SLEEVE, SEED SINGULATOR
11	6217	CAM PIN, SEED SINGULATOR
12	6227	SPRING, SINGULATOR HANDLE
13	6228	LEVER, SEED SINGULATOR
14	10172043	ROLL PIN, 4 X 35
15	ST010	STICKER, SEED SINGULATOR SETTING NG+
16	10530060	SCREW, 5MM X 10MM
17	6209.A	BRACE
18	10072094	SCREW, 5MM X 6MM
19	6203.B	SEAL, PLASTIC
20	6206	TIGHTENING CAP
21	HM-0625	HEX BOLT METRIC FLANGE 6M X 25M G8.8
22	10629007	WASHER, EXTERNAL LOCK, 6mm
23	NM-0601	NUT, HEX, JAM 6mm
24	7089	GUARD, UNIT CHAIN
25	10629011	WASHER, EXTERNAL, 10mm
26	HM-41015	BOLT, HEX, 10 X 16
27	NM-21010	NUT, HEX, 10mm
28	6211	SINGULATOR
	6211.2A	SINGULATOR, LARGE SEED
29	300526	HOSE CLAMP
30	7115.S	SPROCKET, #41, 26T
31	6077	LYNCH PIN, 6MM

P-45



ITEM	PART REF.	DESCRIPTION
1	65012911	METER COVER COMPLETE, STD
	65012912	METER COVER COMPLETE, LARGE SEED
2	20021567	METER COVER
3	66005868	TRAP DOOR
4	10172099	ROLL PIN, 6MM X 70MM
5	10153086	SPRING, TRAP DOOR
6	10591992	SCREW, 6MM X 16MM
7	6092	SPRING, EJECTOR BLOCK
8	6204.A	EJECTOR BLOCK, STANDARD
9	6225	NUT, EJECTOR BLOCK
10	6210	PIN, PRESSURE SCRAPER
11	6218	SPRING, PIN SCRAPER
12	6090	SNAP RING, 6mm
13	6205	CONTROL WINDOW
14	6089	RUBBER RING
15	6219	PIN, METER WINDOW
16	10530060	SCREW, 5MM X 10MM
17	6232	PLASTIC FLAP
18	6233	SEED SHUTTER
19	10620004	WASHER, 5.5MM X 16MM X 1MM
20	NM-0501	NUT, HEX, JAM, 5mm, G8.8
21	6238	EJECTOR BLOCK, ALUMINUM, LARGE SEED
22	NM-0610	NUT, HEX, JAM, 6mm, G8.8
23	6233.1	PLATE, RESTRICTOR FOR SMALL SEED (HEMP, CANOLA)

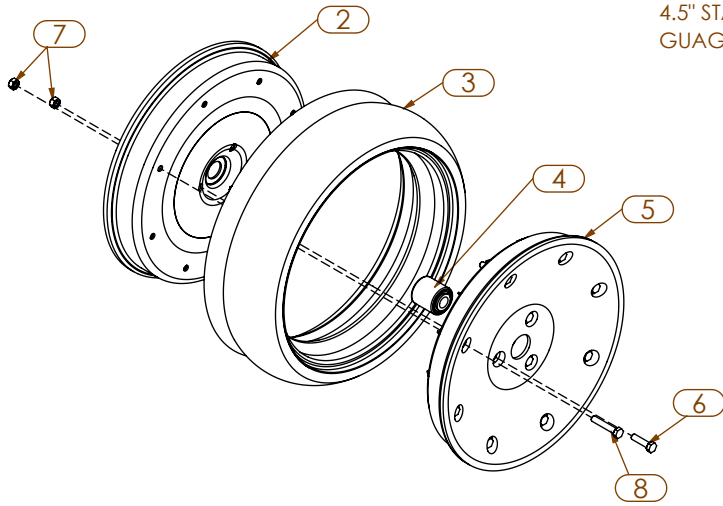


P-47

ITEM	PART REF.	DESCRIPTION
1	66006190	ROW UNIT
2	6202	COLLAR
3	6202.A	COLLAR W/ SLOT
4	6202.1	SHUT OFF SLIDE
5		Sheet
6	7336	BUSHING, 2 PIECE, GAUGE WHL ARM
7	66006841	GAUGE WHEEL ARM L
8	7012.GA	SPINDLE, LT, 16mm, 1.5 PITCH
9	66006840	GAUGE WHEEL ARM R
10	7012.DA	SPINDLE, RT, 16mm, 1.5 PITCH
11	20061609	PLATE, UNIT BULKHEAD
12	20061681	BLOCK, DOWN STOP, 7X7
13	10219093	RUBBER GROMMET, 2IN
14	7065.A	V-SLICE INSERT
15	10170065	SPLIT PIN, 4 X 30 MM
16	7337	PROTECTION POINT
17	7095	ROLLER SHAFT
18	7094	SPACER
19	7096	ROLLER
20	6099	COLLAR, 25 X 16 X
21	7070	ROCKER ARM, GAUGE WHEEL
22	7069.C	BRACKET
23	7087.B	PIN
24	7076.A	DEPTH CONTROL ROD
25	7083	KNOB
26	7078	WIRE STOP
27	7084.2A	SCRAPER, L
28	7084.A	SCRAPER, R
29	10040061	DEPTH GAUGE INDICATOR, LEFT
30	10040059	DEPGTH GAUGE INDICATOR, RIGHT
31	7105	BACK SPACER BUSHING
32	64990013	UNIT TENSIONER, METAL, NG+4
33	65007901	IDLER SPKT, 10T, METAL W/BRONZE BUSHING

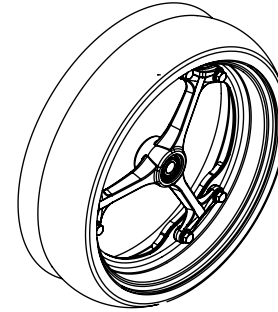
ITEM	PART REF.	DESCRIPTION
34	5654	WASHER, LOCK, 12MM INTERNAL TOOTH
35	41061665	TENSIONER SHAFT, NG+4
36	65106166	ARM, UNIT TENSIONER, NG+4
37	10153098	SPRING, UNIT TENSIONER
38	30621086	WASHER, 15x24x2.5 MM
39	30621000	WASHER, 10x30x3 MM
40	NM-21015	NUT, 10MM NYLOCK
41	30621032	WASHER, FLAT, 24 X 13 X 2
42	NM-31201	NUT, 10MM
43	900263	OPENING DISK ASM
44	7073.N	GAUGE WHEEL ASM
45	7073.3SA	INNER RIM
46	7073.2	TIRE
47	900125	BEARING, 40mm
48	7073.3	OUTER RIM
49	H-2130	BOLT, HEX, 5/16"-18 X 1-3/4" G5
50	N-1001	NUT, HEX, 5/16"-18, G5
51	H-2104	BOLT, HEX, 5/16"-18 X 1-1/4" G5
52	HM-41070	HEX, BOLT, 10 X 70, G8.8
53	NM-21011	NUT, HEX, 10mm, G8.8
54	HM-41030	HEX, BOLT, 10 X 30, G8.8
55	NM-21015	NUT, NYLOCK, 10mm, G8.8
56	CB-1150	BOLT, CARR., 5/16"-18 X 1.25, G5
57	N-2101	NUT, NYLOCK 3/8"-16 G8
58	10620095	WASHER, FLAT, 10.5 X 27 X 2
59	HM-510100	HEX, BOLT, 10 X 100, G8.8
60	10622024	WASHER, FLAT, 16.5 X 26 X 1
61	10172092	ROLL PIN, 6 X 35mm
62	10170067	SPLIT PIN, 5 X 40mm
63	10172090	ROLL PIN, 6 X 25mm
64	HM-2875	HEX, BOLT, 8 X 75, G8.8
65	NM-1812	NUT, NYLOCK, 8mm, G8.8
66	10176050	RIVET, 6 X 16mm
67	10118	GREASE ZERK, 6mm
68	10622026	WASHER, FLAT, 16.5 X 26 X 2

ITEM	PART REF.	DESCRIPTION
69	10624040	WASHER, FLAT, 33 X 45 X 1.5
70	10621064	WASHER, FLAT, 13 X 45 X 5
71	HM-61230	HEX, BOLT, 12 X 30, G8.8
72	7258.DA	BOLT, HEX, RT, 16 X 80
73	7258.GA	BOLT, HEX, LT, 16 X 80
74	HM-16100	HEX, BOLT, 6 X 100, G10.9
75	10172031	ROLL PIN, 3.5 X 25mm
76	NM-0605	NUT, NYLOCK, 6mm, G8.8
77	NM-21011	NUT, HEX, 10mm, G8.8
78	HM-41040	HEX, BOLT, 10 X 40, G8.8
79	10620063	WASHER, FLAT, 8.5 X 16 X 1.5

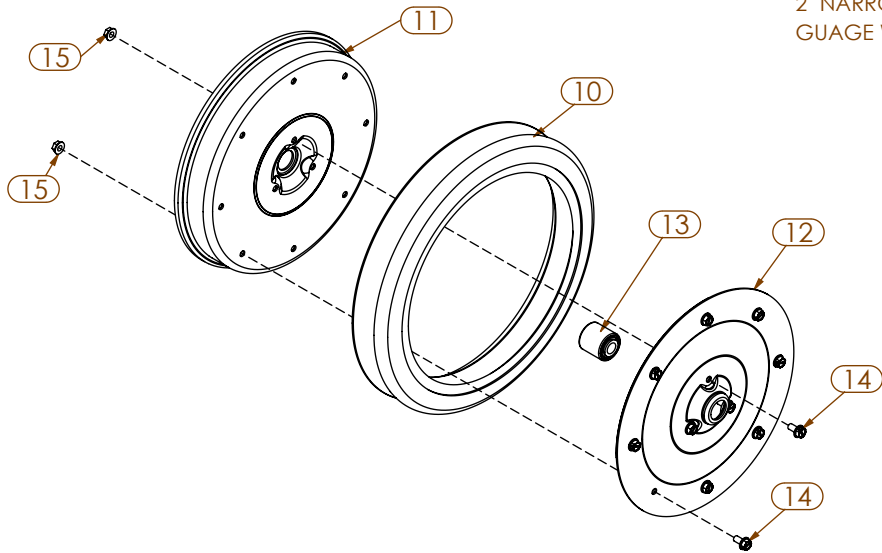


7073.N
4.5" STANDARD
GUAGE WHEEL

AA98187
4.5" CAST SPOKE
GUAGE WHEEL

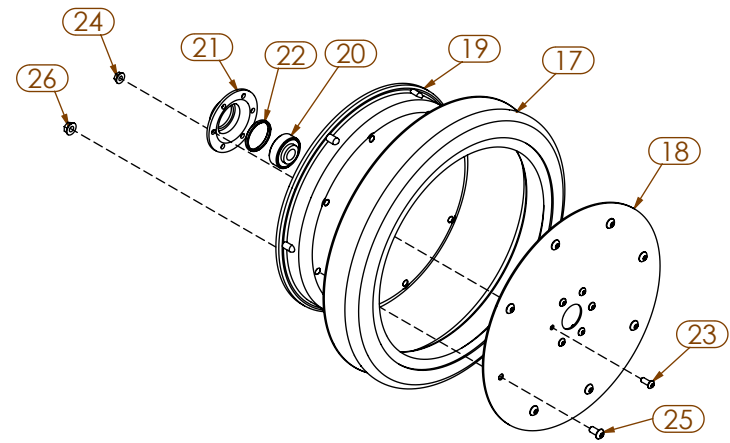


P-49



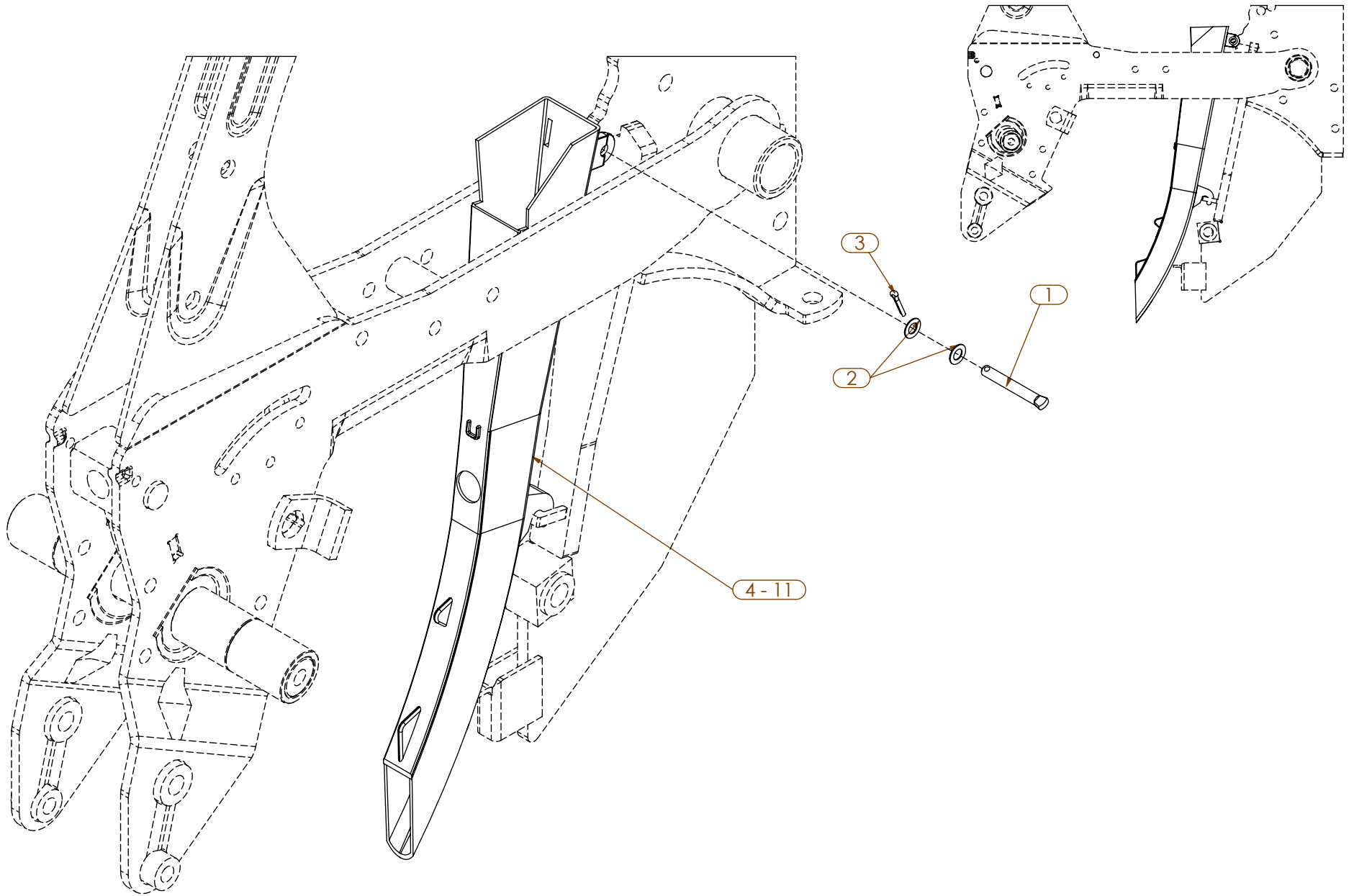
7073.SA
2" NARROW
GUAGE WHEEL

7073.SB
2" NARROW FLAT
GUAGE WHEEL



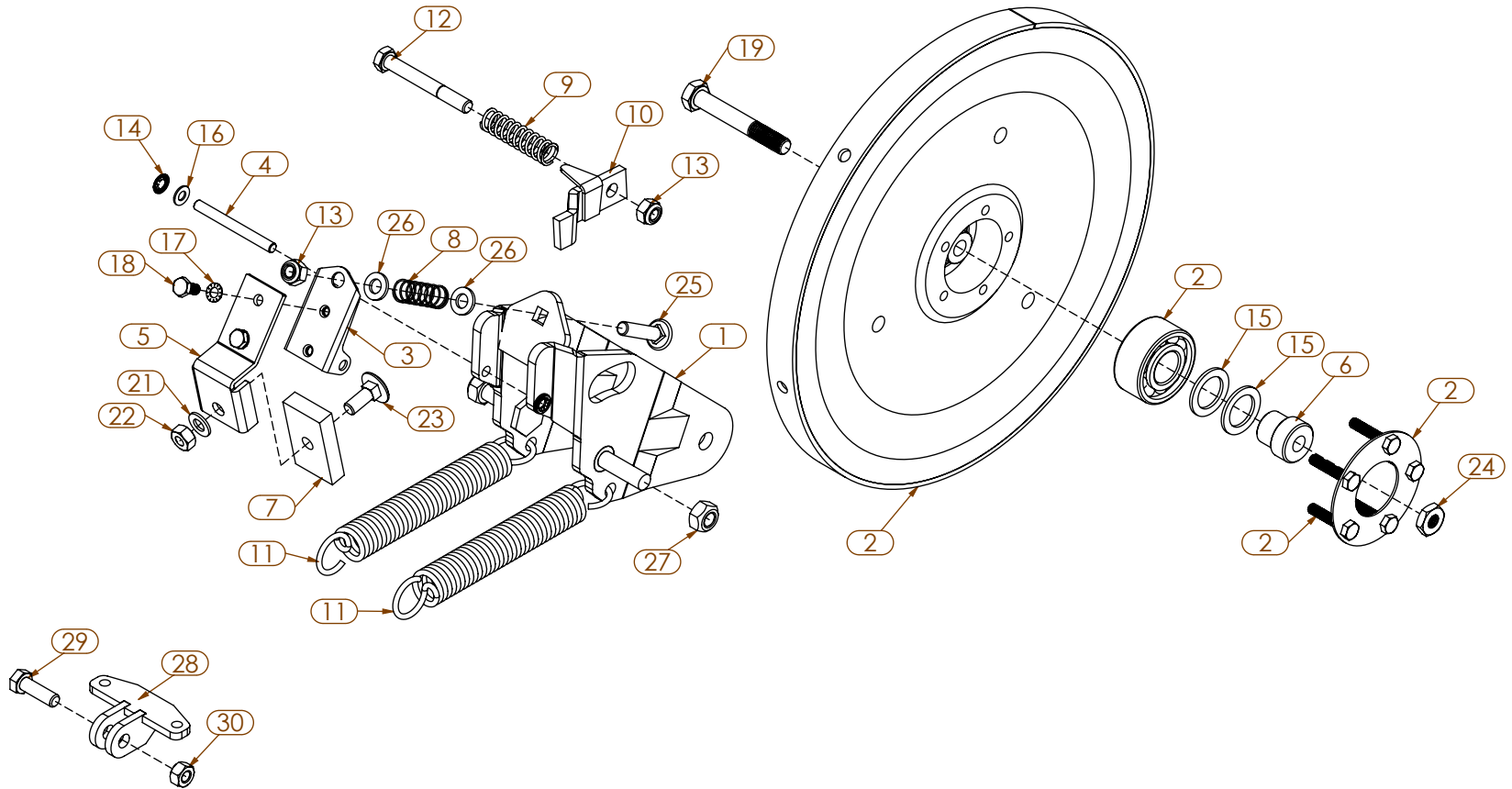
ITEM	PART NUMBER	DESCRIPTION
1	7073.N	GAUGE WHEEL ASM
2	7073.3SA	INNER RIM
3	7073.2	TIRE
4	900125	BEARING, 40mm
5	7073.3	OUTER RIM
6	H-2104	BOLT, HEX, 5/16"-18 X 1-1/4" G5
7	N-1001	NUT, HEX, 5/16"-18, G5
8	H-2130	BOLT, HEX, 5/16"-18 X 1-3/4" G5
9	7073.SA	NARROW GAUGE WHEEL ASM
10	7073.2S	TIRE, NARROW
11	802159	INNER RIM
12	802160	OUTER RIM
13	900125	BEARING, 40mm
14	H-2065	BOLT, HEX FLANGE, 5/16"-18 X 5/8"
15	F37339	NUT, SER. FLANGE, 5/16"-18
16	7073.SB	FLAT NARROW GAUGE WHEEL ASM
17	7073.2S	TIRE, NARROW
18	7073.1SB	OUTER RIM (STEEL)
19	7073.3SB	INNER RIM (STEEL)
20	KA2014	BEARING, 19.3MM
21	900404	BEARING HOUSING
22	900405	SPACER
23	F24050	SCREW, SBH, 1/4"-20 X 5/8"
24	N-0615	NUT, FLANGE, 1/4"-20
25	F24068	SCREW, SBH, 5/16"-18 X 5/8"
26	F37339	NUT, SER. FLANGE, 5/16"-18
27	AA98187	GAUGE WHEEL, 4.5" CAST SPOKE
28	A84062	TIRE, GAUGE WHEEL, 14.5 X 16"
29	A101571	RIM, GAUGE WHEEL OUTER
30	A101570	RIM, GAUGE WHEEL INNER
31	A114438	HUB, SPOKED GAUGE WHEEL
32	AN212132	AN212132
33	40M7304	SNAP RING, INTERNAL, 40MM X 1.75MM
34	A116449	PLATE, SGW
35	19M10033	BOLT, HF, M8-1.25 X 30

P-51

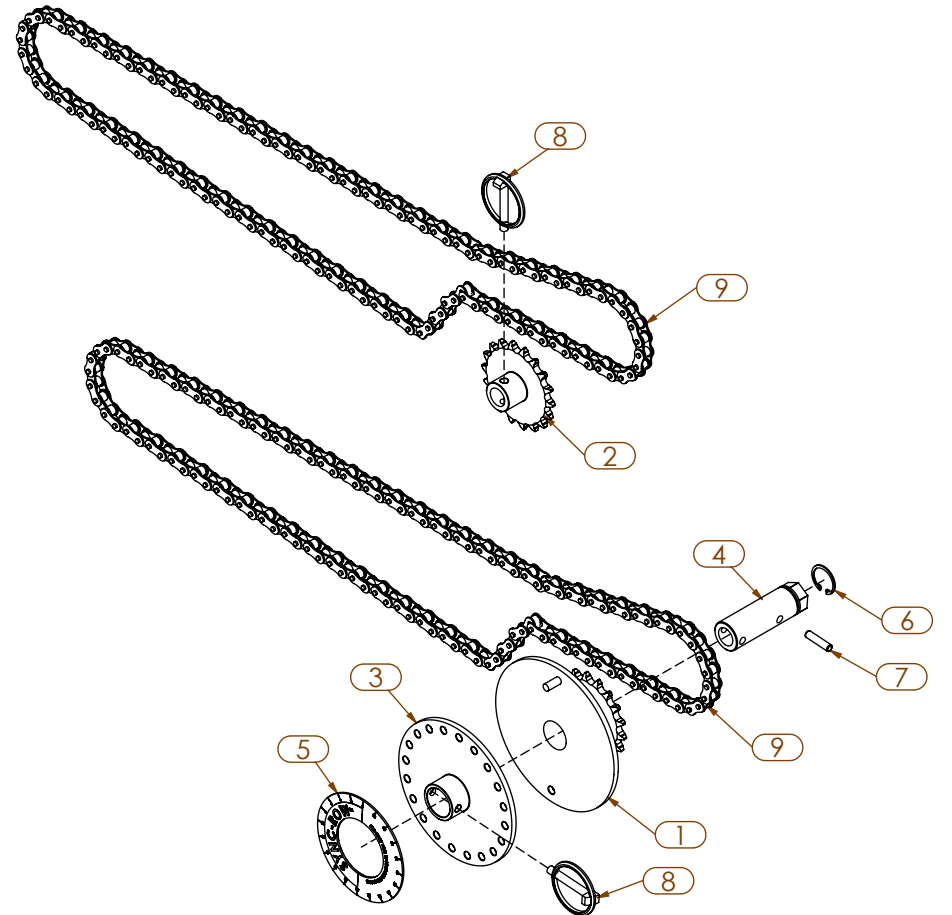
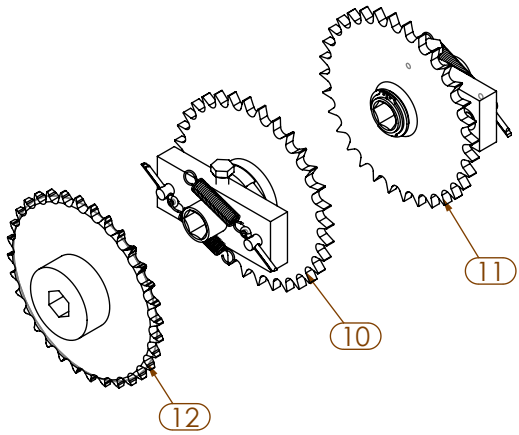


ITEM	PART NUMBER	DESCRIPTION
1	7086	PIN
2	10620008	WASHER, FLAT, 6.5 X 12 X .6
3	10170014	SPLIT PIN, 2.5 X 20
4	7079.1	STD. SEED TUBE, w/HOLE, NO SENSOR
5	7079.2S	SEED TUBE, W/ SENSOR DJ 3-LED
6	D2440891S1	SEED SENSOR NG+ DJ 3-LED
7	300694	SEED TUBE W SENSOR, DJ 10-LED
8	300844	SEED SENSOR W/O TUBE, DJ 10-LED
9	7079.3S	SEED TUBE, PEANUT, w/ SENSOR
10	7079.3M	SEED TUBE, PEANUT, NO SENSOR
11	7079.4	SEED TUBE, w/ LARGE HOLE, NO SENSOR

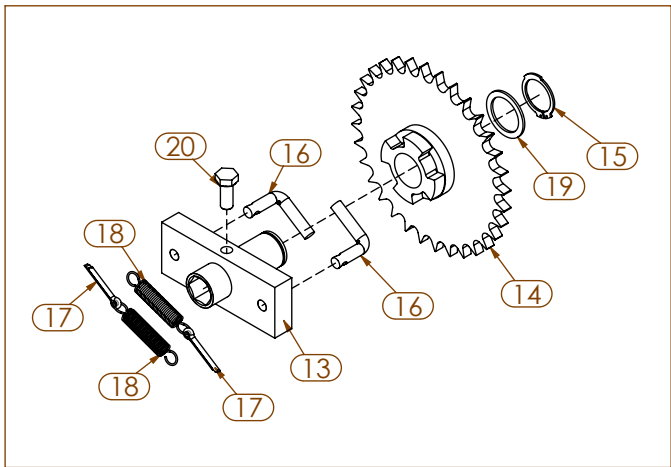
P-53



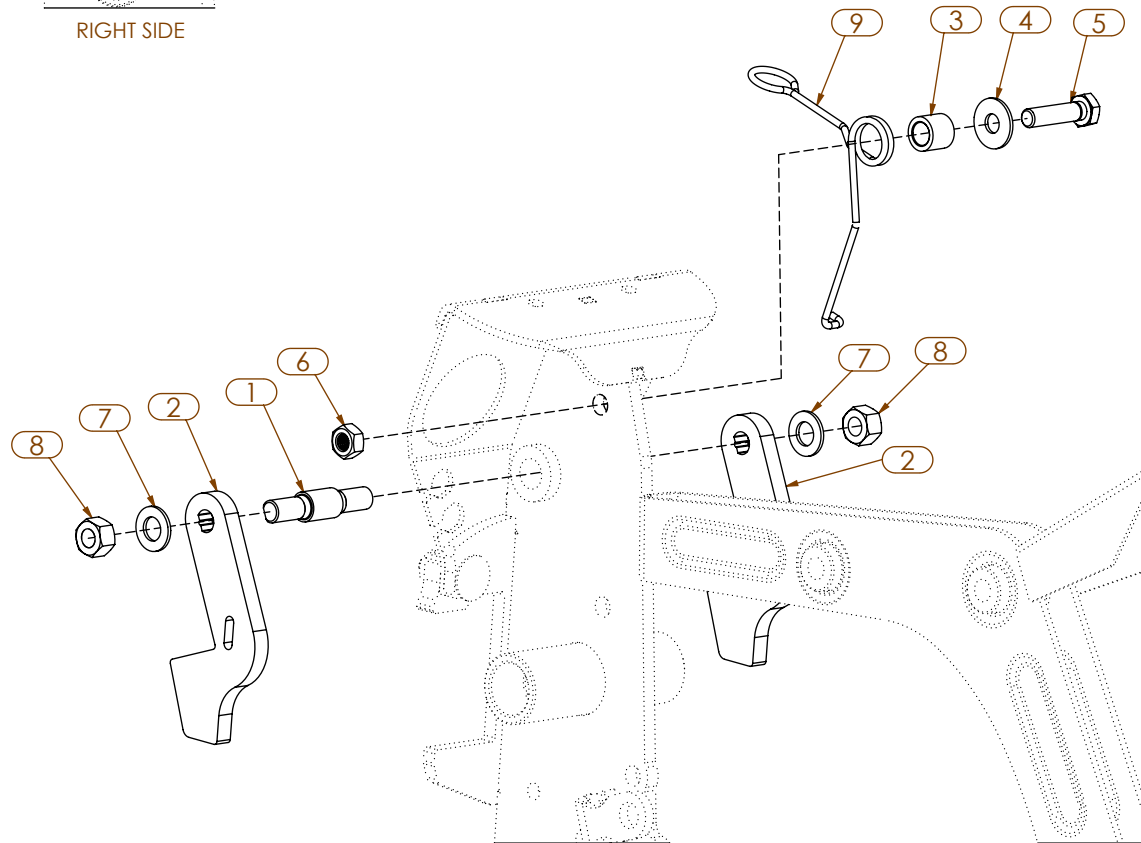
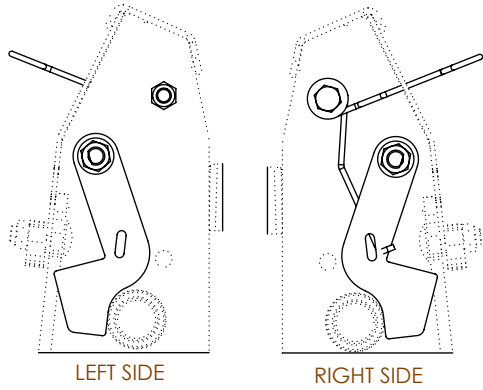
ITEM	PART NUMBER	DESCRIPTION
1	7271	PRESS WHEEL FRAME
2	65003090	PRESS WHEEL
3	20035181	SCRAPER PIVOT
4	20032210	PIVOT PIN
5	20035180	SCRAPER SUPPORT
6	30073076	SPACER, PRO-WHEEL
7	10200279	SCRAPER, PRO-WHEEL
8	5681.B	SPRING, COMPRESSION
9	10159037	SPRING
10	65009181	LOCK
11	7259	SPRING
12	30511077	BOLT, HEX, M8 X 70mm
13	10603008	NUT, NYLOCK, 8mm
14	6090	SNAP RING, 6mm
15	10622099	WASHER, 20.5 X 30 X 2mm
16	10620009	WASHER, 6 X 12 X 1mm
17	10629007	WASHER, EXTERNAL LOCK, 6mm
18	10500091	BOLT, HEX, M6 X 12mm
19	10512024	BOLT, HEX, M10 X 70mm
20	7275	SHOULDER BOLT, 10 X 32mm
21	10620063	WASHER, FLAT, 8.5 X 16 X 1.5
22	30600008	NUT, HEX, 8mm
23	30561055	BOLT, SN, M8 X 22mm
24	30601010	NUT, JAM, 10MM
25	30561058	CARR. BOLT, 8 X 35mm, CL8.8
26	30620064	WASHER, 8.5 X 16 X 2mm
27	10605010	NUT, LOCK, M10
28	200832	SPRING BRACKET WA
29	H-2100	BOLT, HEX, 5/16"-18 X 1" G5
30	N-1001	NUT, HEX, 5/16"-18, G5



P-55

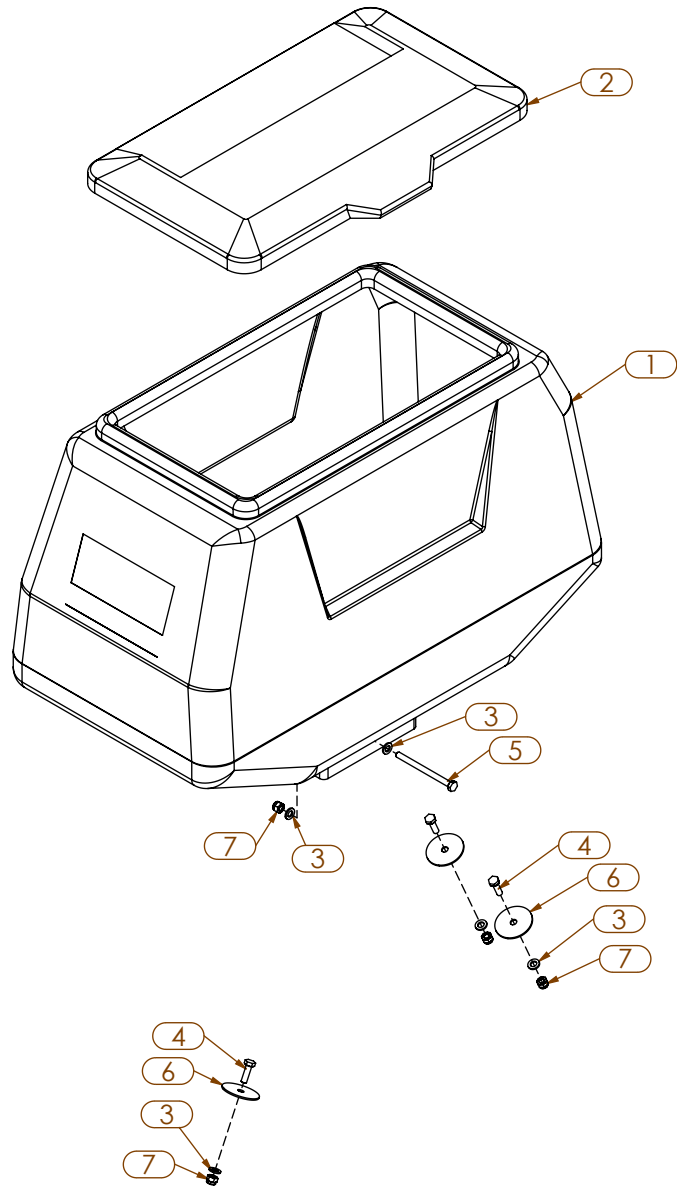


ITEM	PART NUMBER	DESCRIPTION
1	800409	SPROCKET, 18T w/ TIMING PLATE
2	900453	SPROCKET, #41, 18T
3	800408	DIAL SELECTOR
4	800373	SHORT SLEEVE, HEX END W/ GROOVE
5	800410.1	SYNC-ROW MAGNET
6	SR-1516	SNAP RING, 15/16"
7	10172090	ROLL PIN, 6 X 25mm
8	6077	LYNCH PIN, 6MM
9	301349	CHAIN, #41, 114 PITCHES
10	100359	CLUTCH R ASM, 32T
11	100360	CLUTCH L ASM, 32T
12	G50B32	SPROCKET, #50, 32T
13	300598	CLUTCH BLOCK
14	300678	SPROCKET, #50, 32T
15	300600	SNAP RING, EXTERNAL, 30mm
16	802669	PIN CLUTCH
17	10170065	SPLIT PIN, 5 X 30mm
18	300601	SPRING
19	10624016	WASHER, FLAT, 31 X 41 X 2
20	HM-41025	HEX, BOLT, 10 X 25, G8.8



P-57

ITEM	PART NUMBER	DESCRIPTION
1	20061702	UNIT LOCK SHAFT
2	20061701	UNIT LOCK PLATE
3	20006871	BUSHING
4	10620095	WASHER, 10.5 x 27 x 2mm
5	10512019	BOLT, HEX HEAD, 10 x 40mm
6	10600010	NUT, 10mm
7	10621032	WASHER, 13 x 24 x 2mm
8	10600012	NUT, HEX, 12mm
9	10153097	SPRING, UNIT LOCK



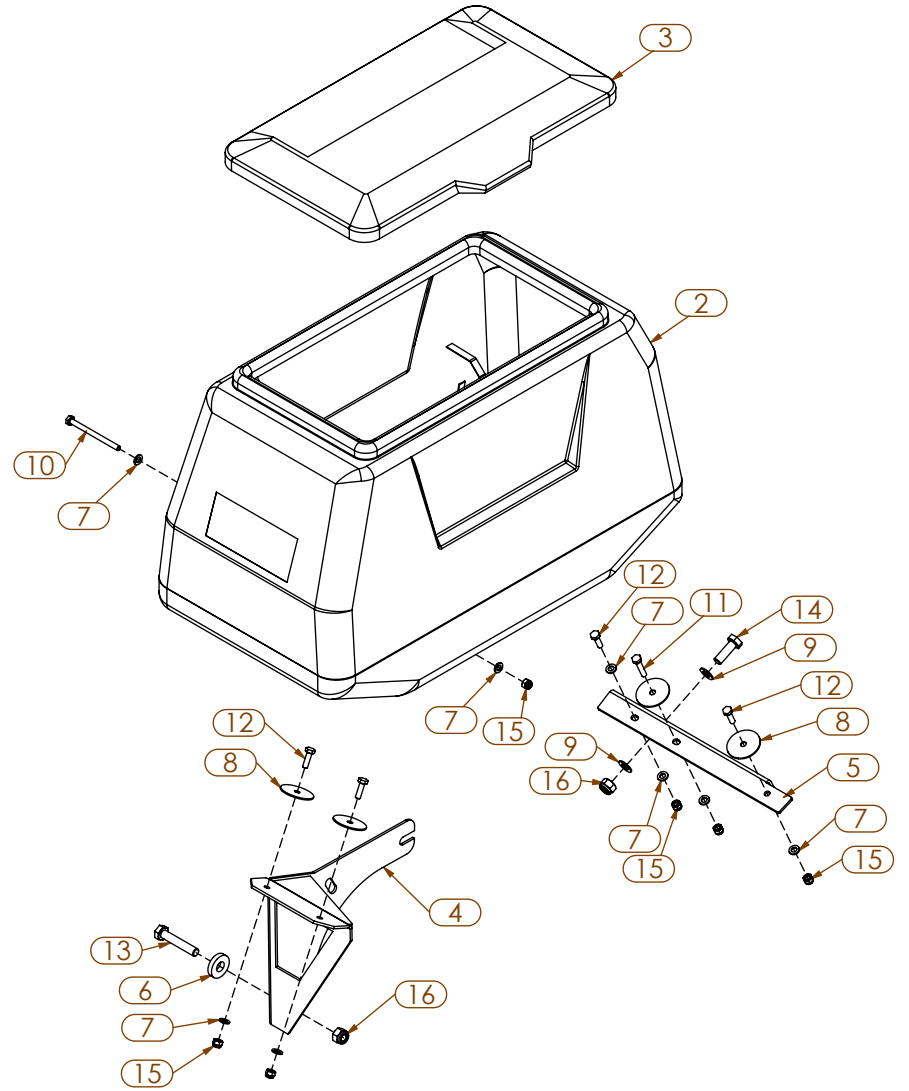
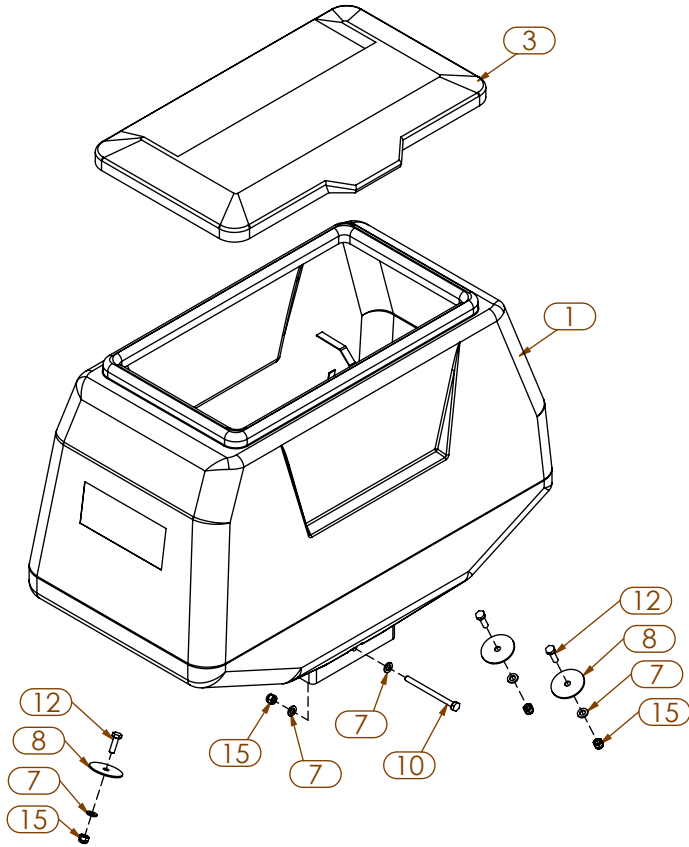
P-59

ITEM	PART NUMBER	DESCRIPTION
1	7077.2	HOPPER, 2 BUSHEL
2	7104.CO	NG+4 LID
3	W-0410	WASHER, FLAT, 1/4" SAE G8
4	HM-0620	HEX, BOLT, 6 X 20, G8.8
5	HM-0680	HEX, BOLT, 6 X 80, G8.8
6	W-0415	WASHER, FLAT, 1/4" X 1-1/2"
7	NM-0605	NUT, NYLOCK, 6mm, G8.8

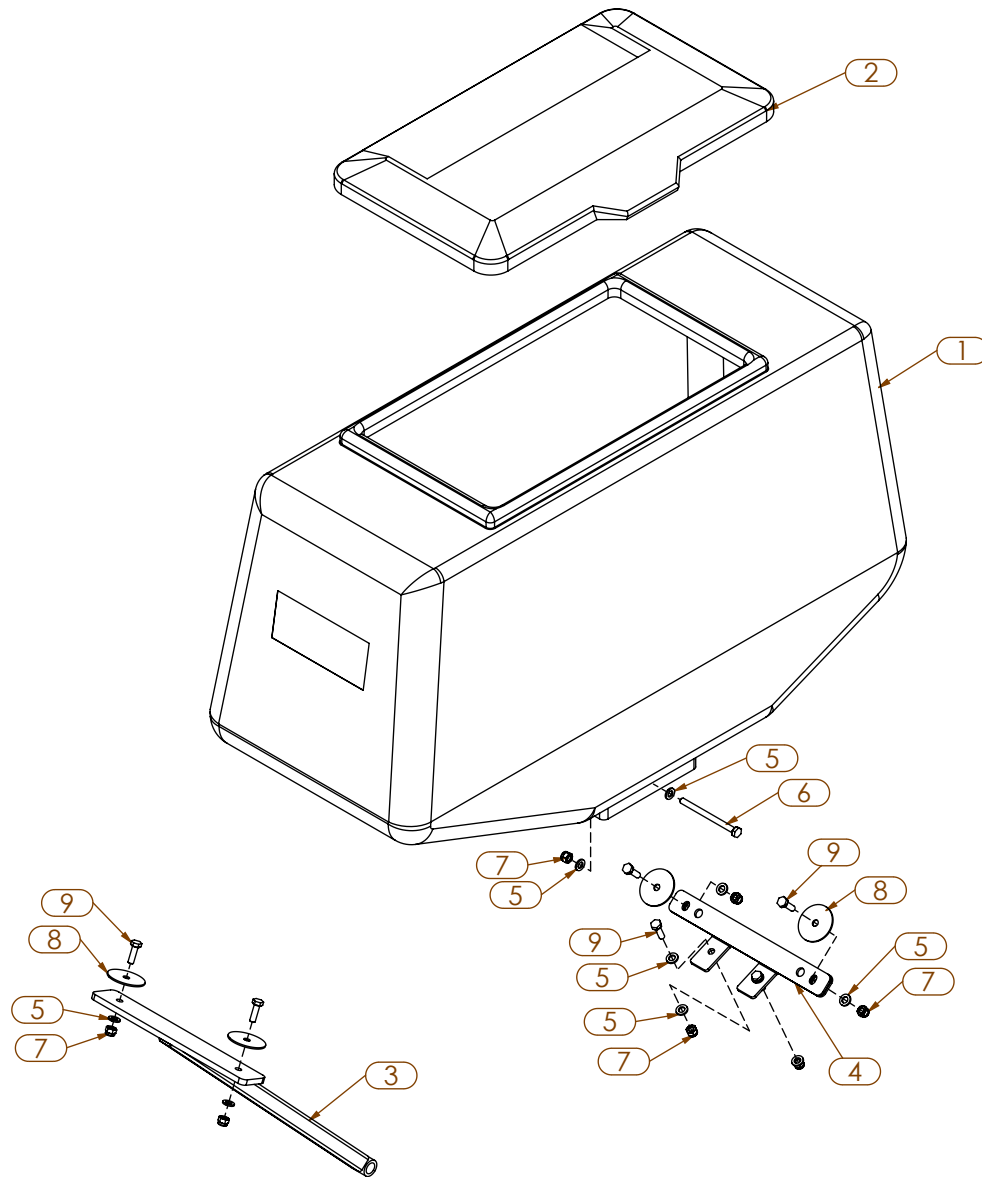
LEFT TWIN HOPPER

RIGHT TWIN HOPPER

P-61



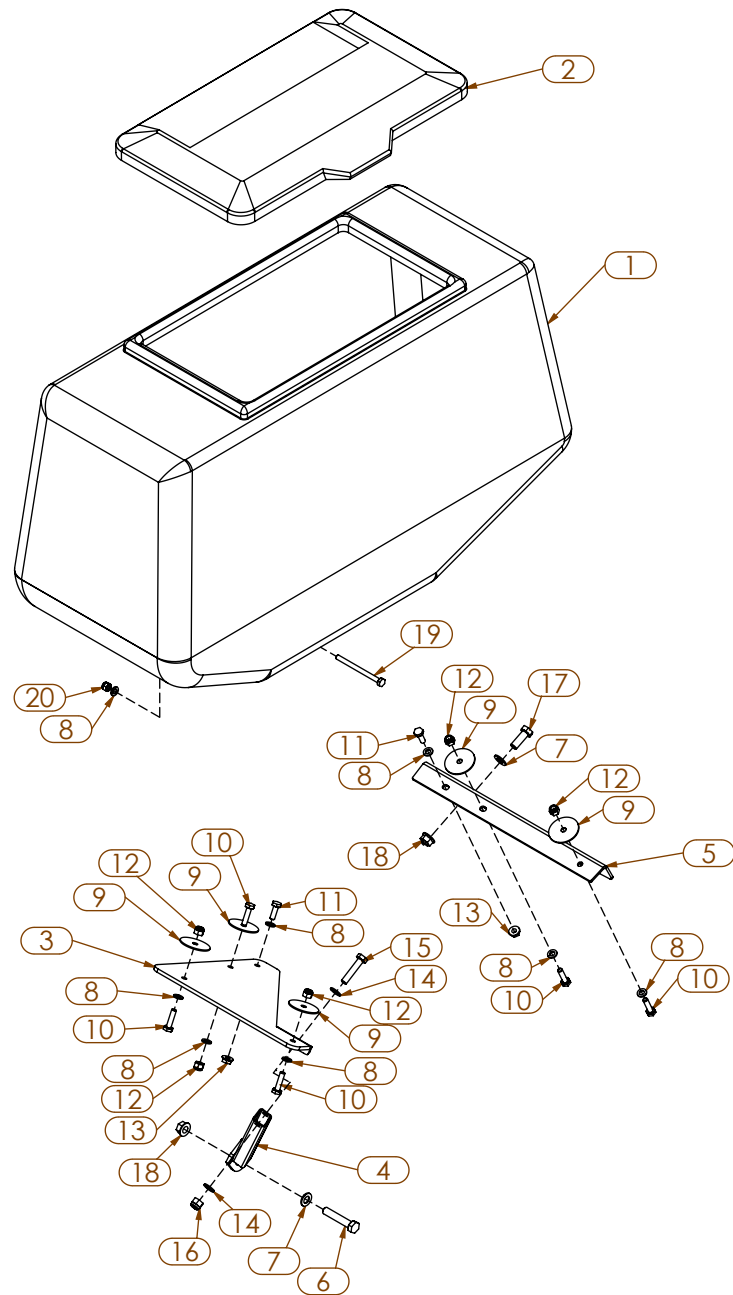
ITEM	PART NUMBER	DESCRIPTION
1	7077.3	HOPPER, TWINROW 2 BUSHEL L
2	7077.3A	HOPPER, TWINROW 2 BUSHEL R
3	7104.CO	NG+4 LID
4	800501	REVERSE HOPPER BRACKET WA
5	800518	FRONT BRACKET WA
6	10621056	WASHER, FLAT, 13 X 30 X 6
7	W-0410	WASHER, FLAT, 1/4" SAE G8
8	W-0415	WASHER, FLAT, 1/4" X 1-1/2"
9	W-2410	WASHER, FLAT, 3/8" SAE G8
10	HM-0680	HEX, BOLT, 6 X 80, G8.8
11	HM-0630	HEX, BOLT, 6 X 30, G8.8
12	HM-0620	HEX, BOLT, 6 X 20, G8.8
13	HM-41055	HEX, BOLT, 10 X 55, G8.8
14	HM-41030	HEX, BOLT, 10 X 30, G8.8
15	NM-0605	NUT, NYLOCK, 6mm, G8.8
16	NM-21015	NUT, NYLOCK, 10mm, G8.8



P-63

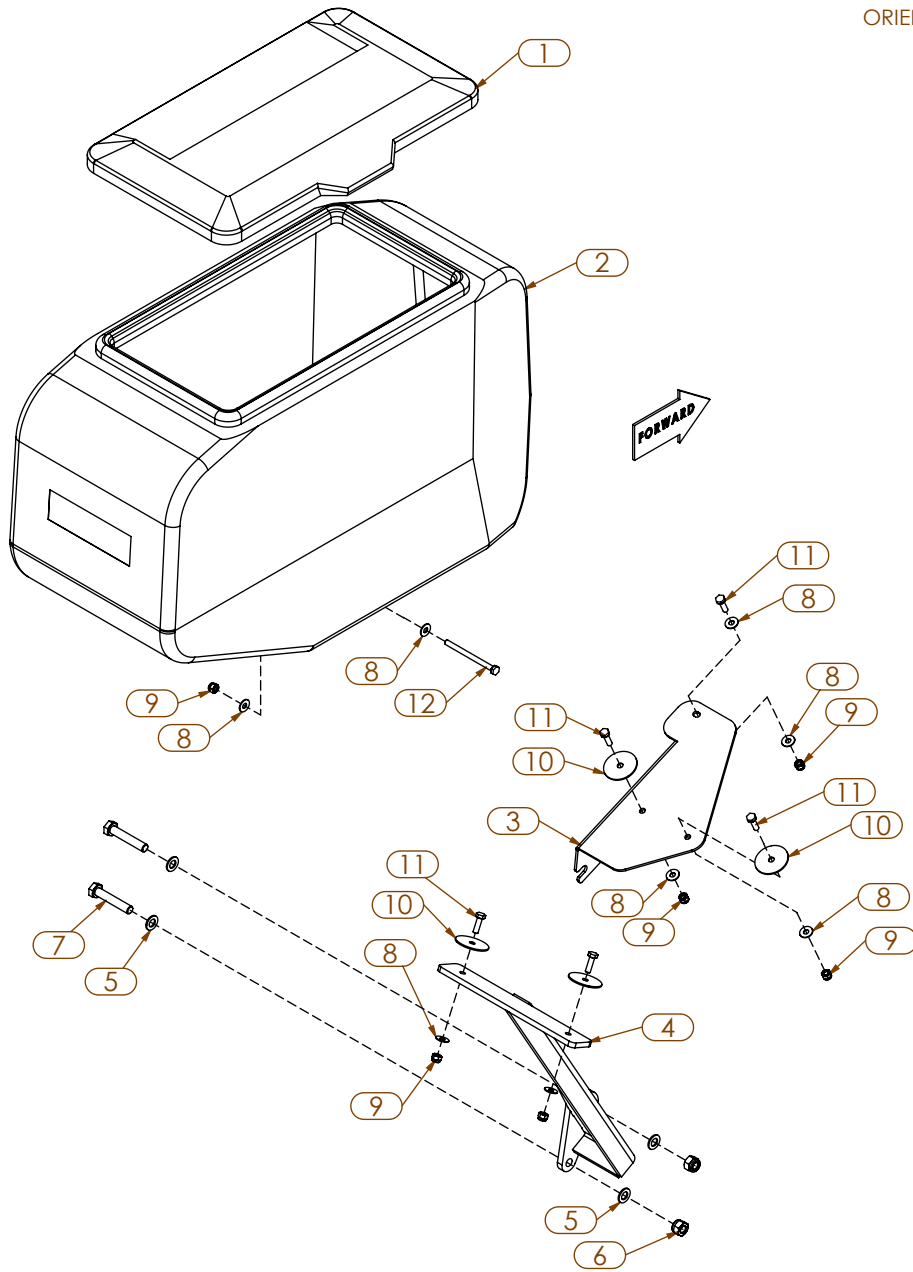
ITEM	PART NUMBER	DESCRIPTION
1	7077.4	HOPPER, 3 BUSHEL
2	7104.CO	NG+4 LID
3	900383	REAR BRACE WA
4	900384	FRONT BRACE WA
5	W-0410	WASHER, FLAT, 1/4" SAE G8
6	HM-0680	HEX, BOLT, 6 X 80, G8.8
7	NM-0605	NUT, NYLOCK, 6mm, G8.8
8	W-0415	WASHER, FLAT, 1/4" X 1-1/2"
9	HM-0620	HEX, BOLT, 6 X 20, G8.8

P-65



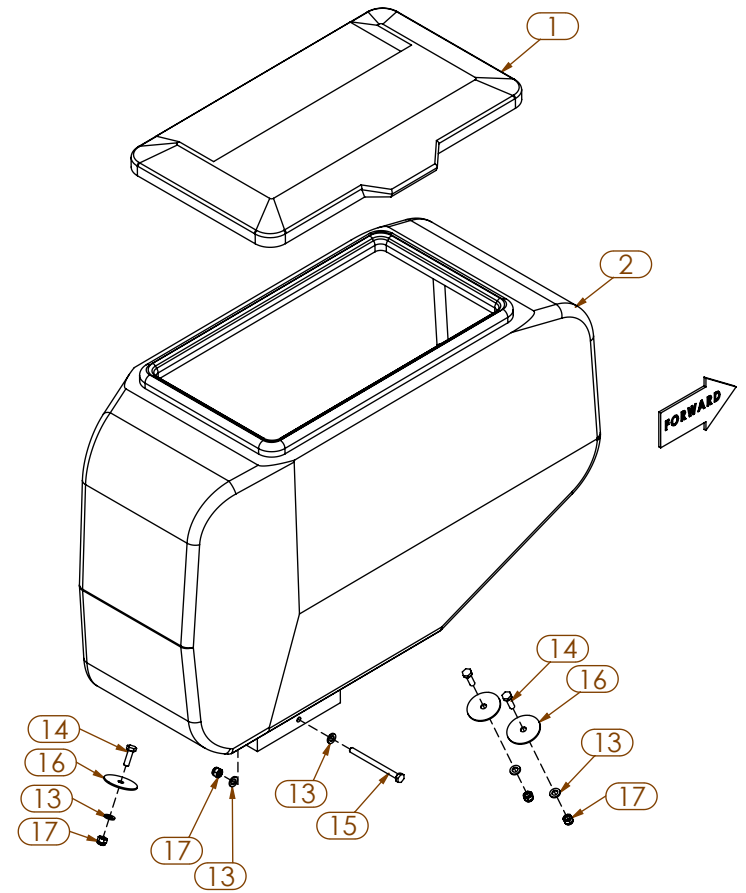
ITEM	PART NUMBER	DESCRIPTION
1	7077.4	HOPPER, 3 BUSHEL
2	7104.CO	NG+4 LID
3	804475	PLATE, MOUNTING, 3 BU REV
4	201229	SUPPORT ARM, 3 BU REV
5	201230	BRACKET WA, FRONT, 3 BU REV
6	H-3200	BOLT, HEX, 3/8"-16 X 2" G8
7	W-2410	WASHER, FLAT, 3/8" SAE G8
8	W-0410	WASHER, FLAT, 1/4" SAE G8
9	W-0415	WASHER, FLAT, 1/4" X 1-1/2"
10	H-1000	BOLT, HEX, 1/4"-20 X 1" G5
11	H-1074	BOLT, HEX, 1/4"-20 X 3/4" G5
12	N-0610	NUT, NYLOCK 1/4"-20
13	N-0615	NUT, FLANGE, 1/4"-20
14	W-1410	WASHER, FLAT, 5/16" SAE G8
15	H-2120	BOLT, HEX, 5/16"-18 X 1-1/2" G5
16	N-1101	NUT, NYLOCK, 5/16"-18 G5
17	H-3100	BOLT, HEX, 3/8"-16 X 1" G8
18	N-2301	NUT, SER. FLANGE, 3/8"-16
19	HM-0680	HEX, BOLT, 6 X 80, G8.8
20	NM-0605	NUT, NYLOCK, 6mm, G8.8

P-67



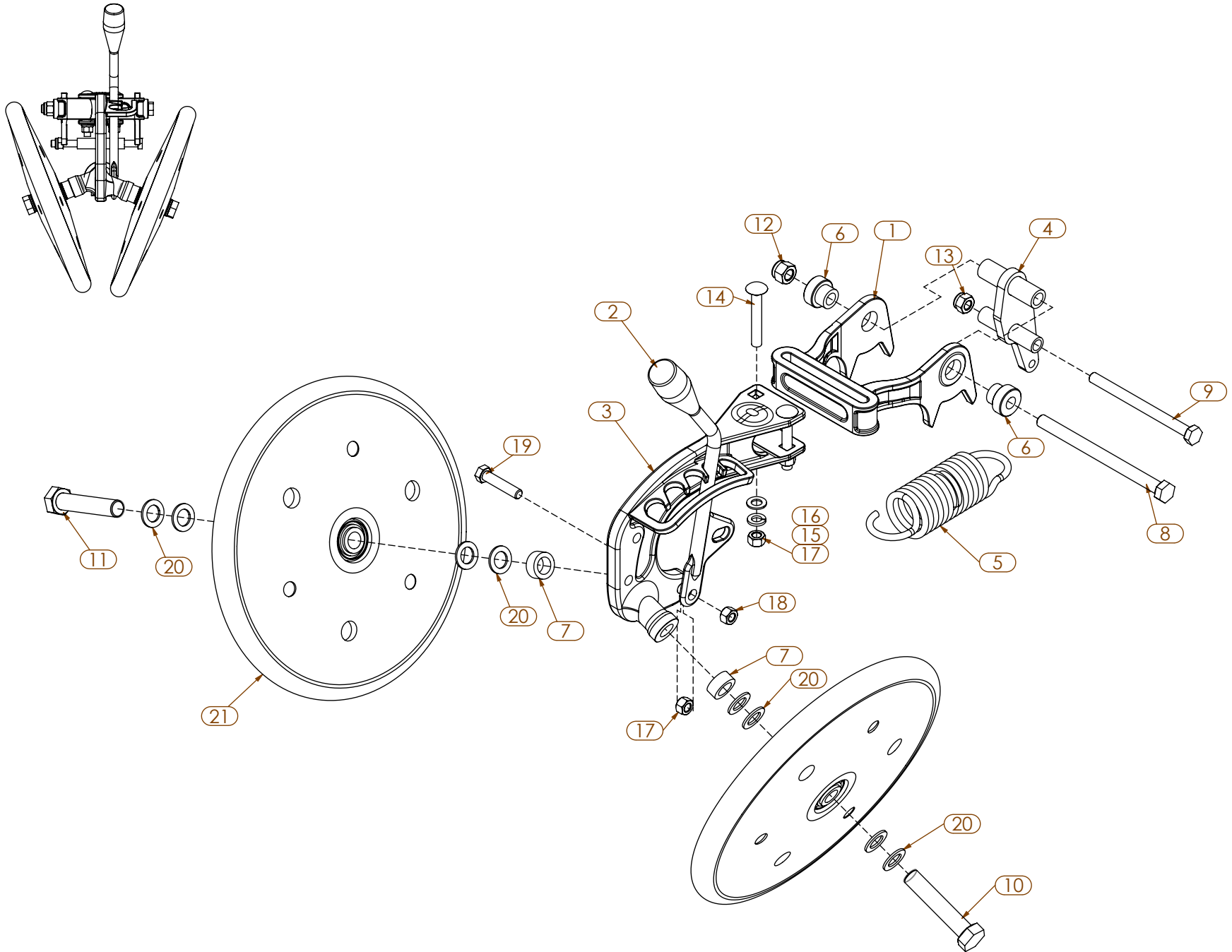
LEFT
ORIENTATION

RIGHT
ORIENTATION



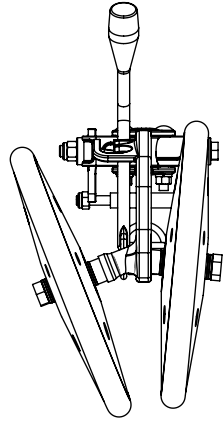
ITEM	PART NUMBER	DESCRIPTION
1	7104.CO	NG+4 LID
2	300505	SEED HOPPER, TR, 2BU.
3	803434	HOPPER SUPPORT, FRONT
4	201094	HOPPER MNT WA, 300505
5	W-2410	WASHER, FLAT, 3/8" SAE G8
6	NM-21015	NUT, NYLOCK, 10mm, G8.8
7	HM-41055	HEX, BOLT, 10 X 55, G8.8
8	W-9616	WASHER, FLAT, 6.5 X 16 X 1mm
9	NM-0605	NUT, NYLOCK, 6mm, G8.8
10	W-0415	WASHER, FLAT, 1/4" X 1-1/2"
11	HM-0620	HEX, BOLT, 6 X 20, G8.8
12	HM-0680	HEX, BOLT, 6 X 80, G8.8
13	W-0410	WASHER, FLAT, 1/4" SAE G8
14	HM-0620	HEX, BOLT, 6 X 20, G8.8
15	HM-0680	HEX, BOLT, 6 X 80, G8.8
16	W-0415	WASHER, FLAT, 1/4" X 1-1/2"
17	NM-0605	NUT, NYLOCK, 6mm, G8.8

P-69

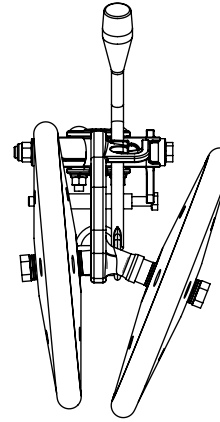


ITEM	PART NUMBER	DESCRIPTION
1	300955	MOUNT, CLOSING WHEEL
2	301066	CASTING, HANDLE, CLOSING WHEEL BRKT
3	300984	FRAME, CLOSING WHEEL, SYM
4	200471	BRACKET, SPRING WA
5	300432	SPRING, CLOSING WHEEL
6	800474.2	BUSHING
7	900159	BUSHING, 25 X 16.5 X 11mm
8	HM-56160	HEX, BOLT, 12 X 160, G8.8
9	HM-510130	HEX, BOLT, 10 X 130, G10.9
10	7258.DS	BOLT, HEX, SH, RT, 16 X 80
11	7258.GS	BOLT, HEX, SH, LT, 16 X 80mm
12	NM-31205	NUT, NYLOCK, 12mm, G8.8
13	NM-21015	NUT, NYLOCK, 10mm, G8.8
14	CB-2231	BOLT, CARR., 3/8"-16 X 2.50, G5
15	W-2610	WASHER, SPLIT, 3/8", G8
16	W-2410	WASHER, FLAT, 3/8" SAE G8
17	N-2001	NUT, HEX, 3/8"-16, G8
18	N-2300	NUT, HEX, CL, 3/8"-16
19	H-3130	BOLT, HEX, 3/8"-16 X 1-3/4" G8
20	10622026	WASHER 16.5 X 26 X 2mm
21	7074.N	V-CLOSING WHEEL

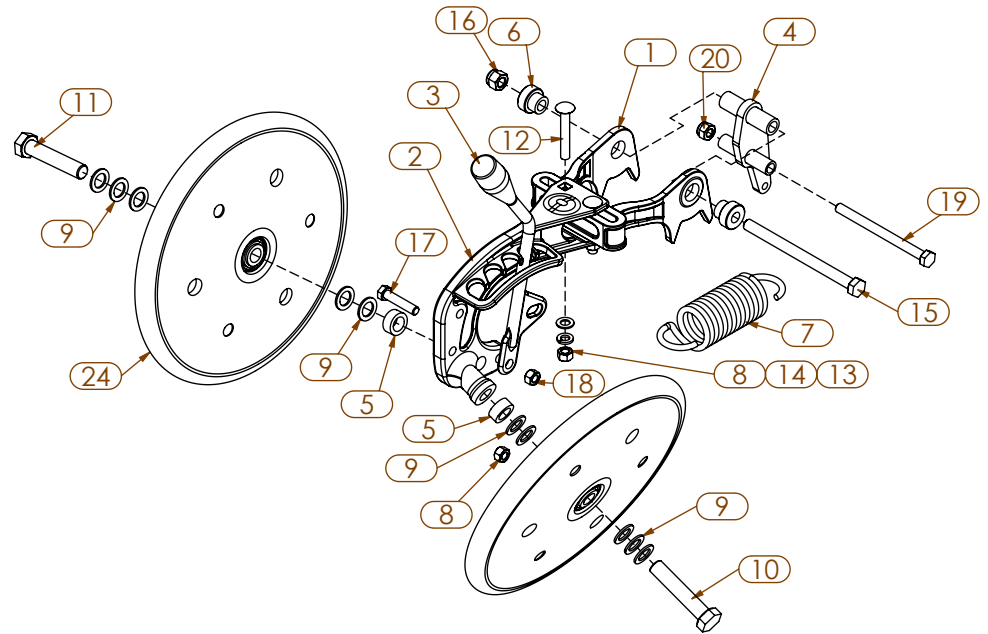
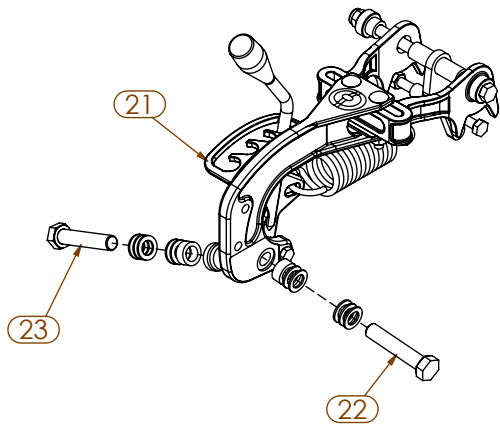
LEFT
ORIENTATION



RIGHT
ORIENTATION



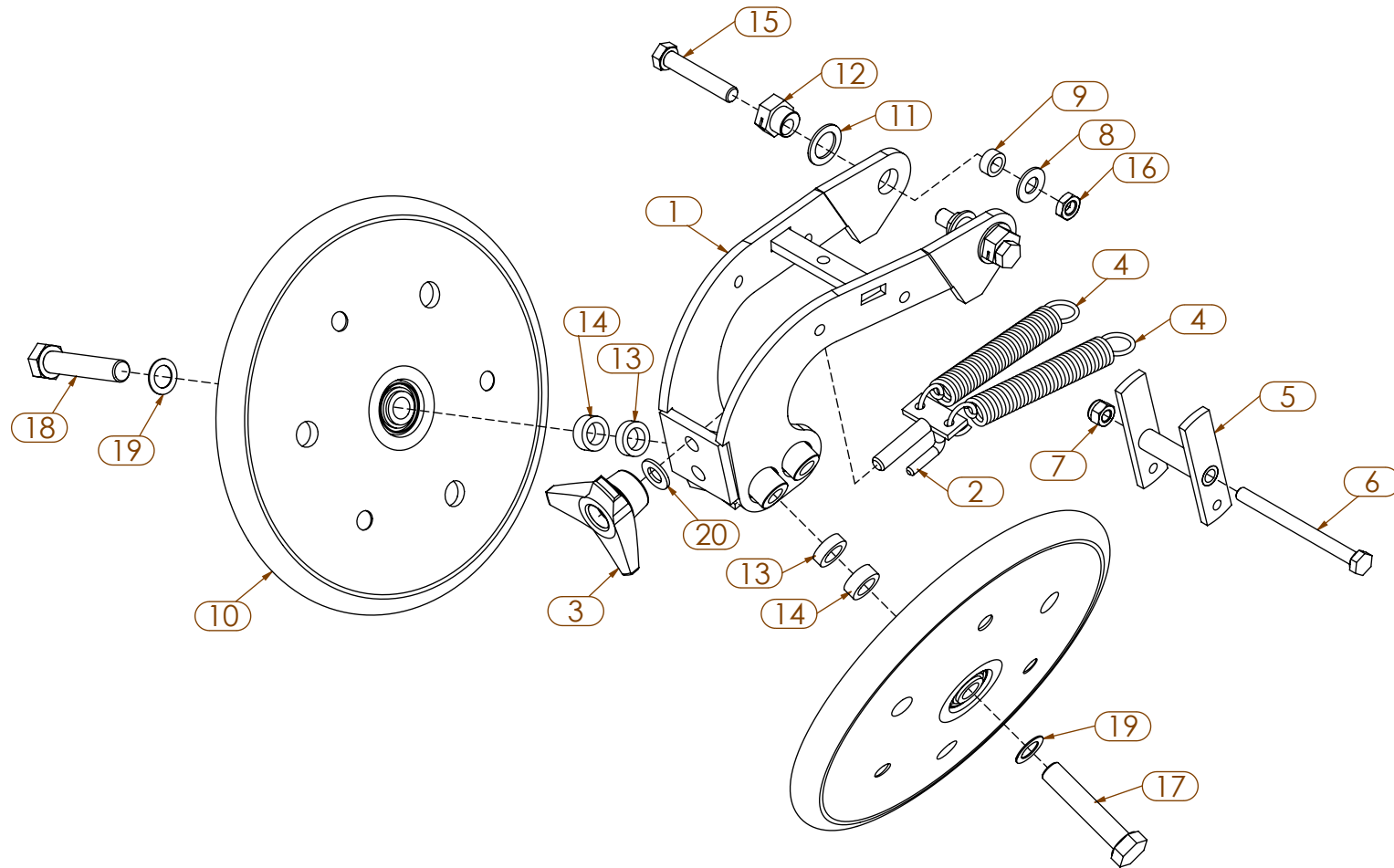
P-71



NOTE: ONLY PARTS SPECIFIC TO LEFT ORIENTATION ARE IDENTIFIED.

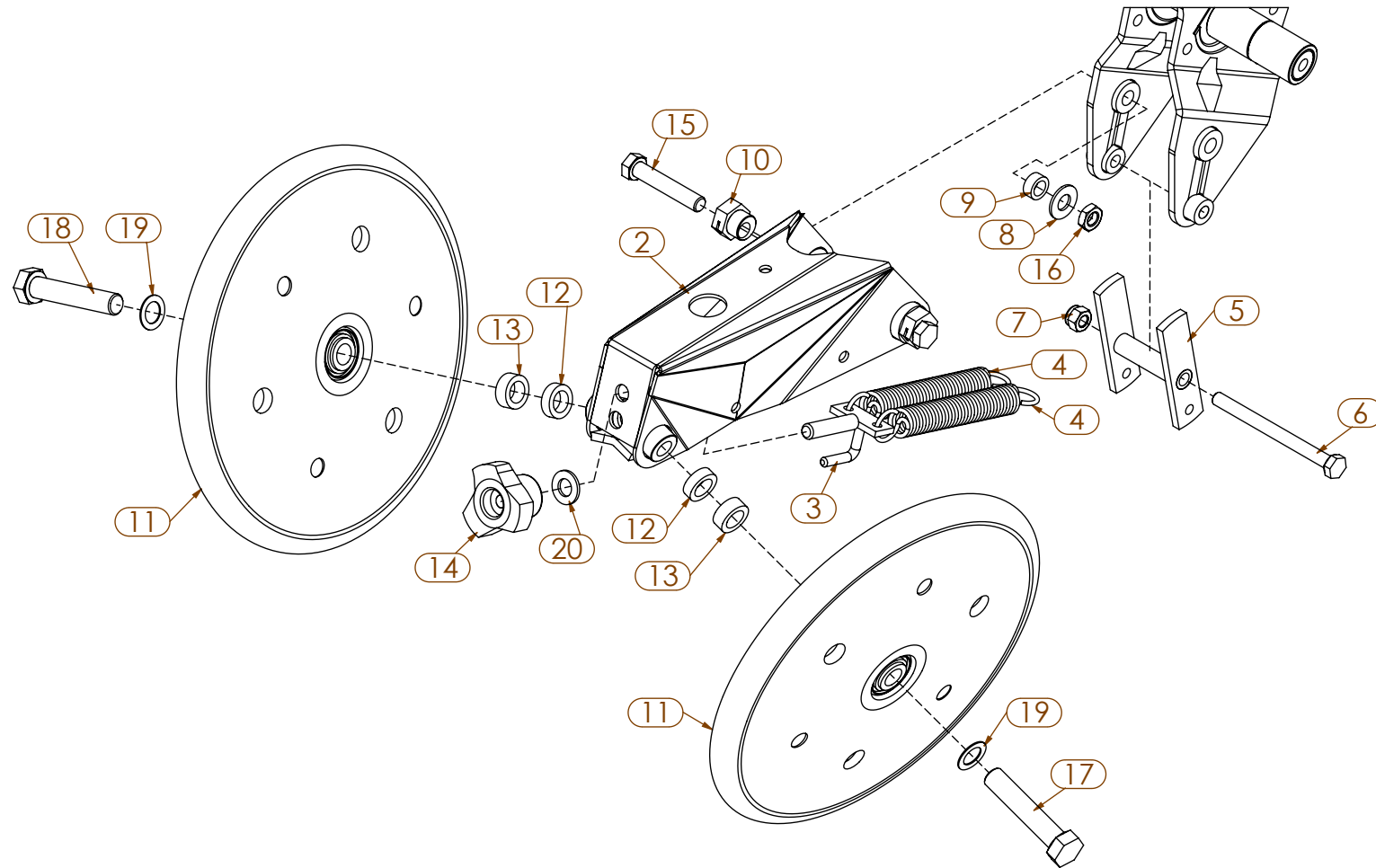
ITEM	PART NUMBER	DESCRIPTION
1	300955	MOUNT, CLOSING WHEEL
2	300956	FRAME, CLOSING WHEEL, TR STD
3	301066	CASTING, HANDLE, CLOSING WHEEL BRKT
4	200471	BRACKET, SPRING WA
5	900159	BUSHING, 25 X 16.5 X 11mm
6	800474.2	BUSHING
7	300432	SPRING, CLOSING WHEEL
8	N-2001	NUT, HEX, 3/8"-16, G8
9	10622026	WASHER, FLAT, 16.5 X 26 X 2
10	7258.DS	BOLT, HEX, SH, RT, 16 X 80
11	7258.GS	BOLT, HEX, SH, LT, 16 X 80mm
12	CB-2231	BOLT, CARR., 3/8"-16 X 2.50, G5
13	W-2410	WASHER, FLAT, 3/8" SAE G8
14	W-2610	WASHER, SPLIT, 3/8", G8
15	HM-56160	HEX, BOLT, 12 X 160, G8.8
16	NM-31205	NUT, NYLOCK, 12mm, G8.8
17	H-3130	BOLT, HEX, 3/8"-16 X 1-3/4" G8
18	N-2300	NUT, HEX, CL, 3/8"-16
19	HM-510130	HEX, BOLT, 10 X 130, G10.9
20	NM-21015	NUT, NYLOCK, 10mm, G8.8
21	300983	FRAME, CLOSING WHEEL, TR REV
22	7258.DS	BOLT, HEX, SH, RT, 16 X 80
23	7258.GS	BOLT, HEX, SH, LT, 16 X 80mm
24	7074.N	V-CLOSING WHEEL

P-73

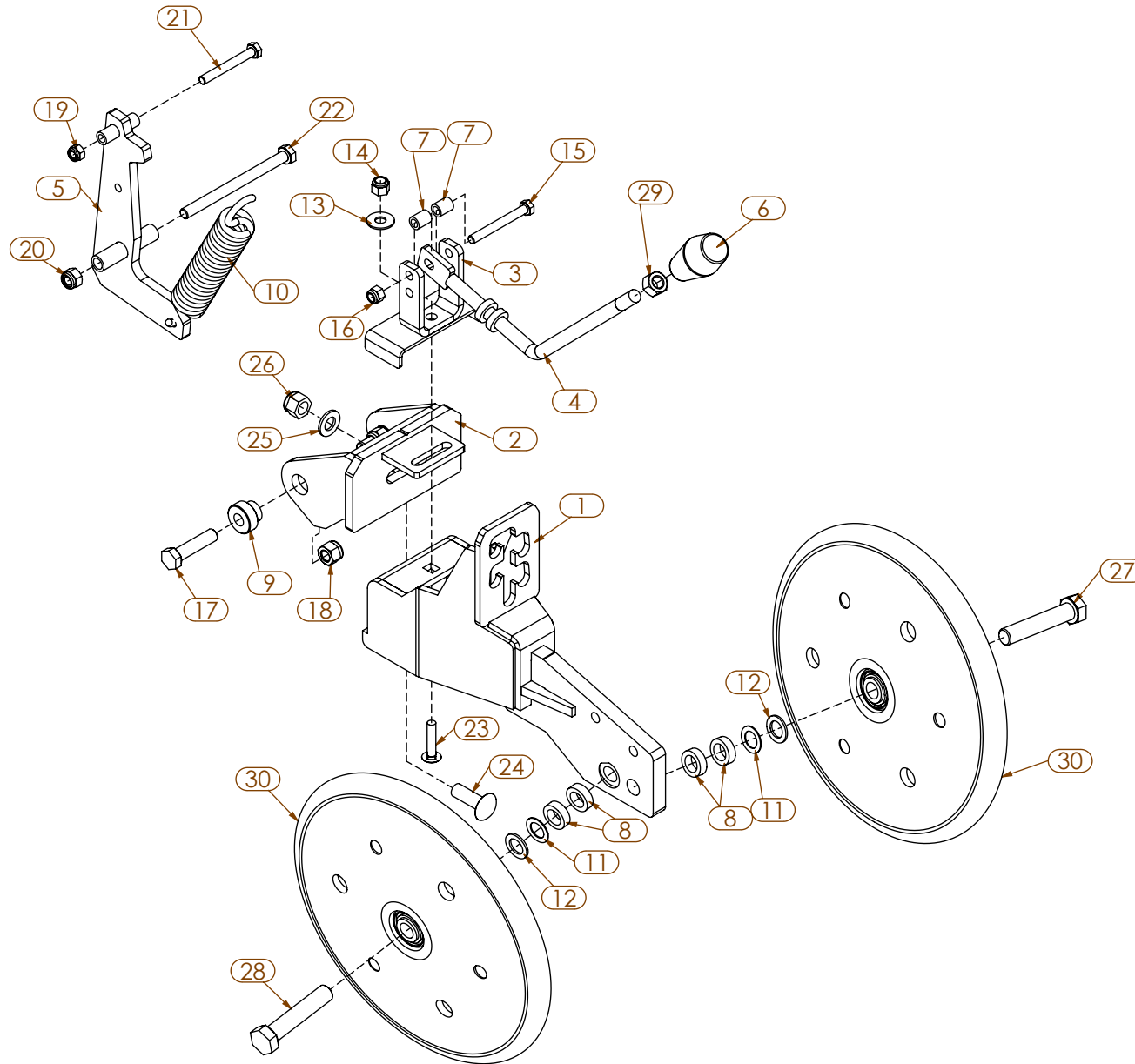


ITEM	PART NUMBER	DESCRIPTION
1	66005369	BRKT ADJ CLOSING WHEEL
2	7071.A	ADJUSTMENT ROD
3	7082	KNOB
4	7259	SPRING
5	7262.A	SPRING SUPPORT
6	HM-510120	HEX, BOLT, 10 X 120, G10.9
7	NM-21015	NUT, NYLOCK, 10mm, G8.8
8	10621046	WASHER, FLAT, 13 X 27 X 2
9	7260	SPACER
10	7074.N	V-CLOSING WHEEL
11	10623011	WASHER, FLAT, 21 X 32 X 2
12	E9051	ECCENTRIC BUSHING
	800474.2	STRAIGHT BUSHING
13	900238	BUSHING, 16.5 X 25 X 8mm
14	4694	BUSHING, 16 X 25 X 10mm
15	HM-61265	HEX, BOLT, 12 X 65, G10.9
16	NM-31203	NUT, HEX, JAM, 12mm, G8.8
17	7258.DA	BOLT, HEX, RT, 16 X 80
18	7258.GA	BOLT, HEX, LT, 16 X 80
19	10622024	WASHER, FLAT, 16.5 X 26 X 1
20	W-4410	WASHER, FLAT, 1/2" SAE G8

P-75



ITEM	PART NUMBER	DESCRIPTION
1	650670	NARROW CLOSING WHEEL
2	7080.E	BRACKET ADJ CLOSE WHEEL
3	7071.A	ADJUSTMENT ROD
4	7259	SPRING
5	7262.A	SPRING SUPPORT
6	HM-510120	HEX, BOLT, 10 X 120, G10.9
7	NM-21015	NUT, NYLOCK, 10mm, G8.8
8	10621046	WASHER, FLAT, 13 X 27 X 2
9	7260	SPACER
10	E9051	ECCENTRIC BUSHING
	800474.2	STRAIGHT BUSHING
11	7074.N	V-CLOSING WHEEL
12	900238	BUSHING, 16.5 X 25 X 8mm
13	4694	BUSHING, 16 X 25 X 10mm
14	7082.1A	KNOB
15	HM-61265	HEX, BOLT, 12 X 65, G10.9
16	NM-31203	NUT, HEX, JAM, 12mm, G8.8
17	7258.DA	BOLT, HEX, RT, 16 X 80
18	7258.GA	BOLT, HEX, LT, 16 X 80
19	10622024	WASHER, FLAT, 16.5 X 26 X 1
20	W-4410	WASHER, FLAT, 1/2" SAE G8

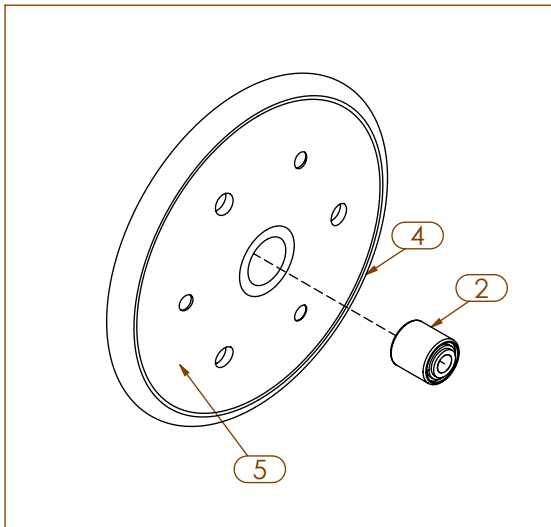


P-77

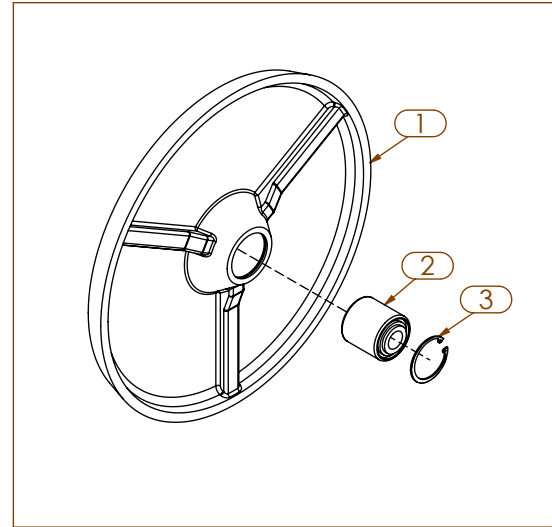
ITEM	PART NUMBER	DESCRIPTION
1	800583	CLOSING BRACKET WA
2	800582	FRONT BRACKET WA
3	800585	CLOSING BRACKET WA
4	800584	HANDLE WA
5	200001	SPRING PLATE WA
6	7082.AM	KNOB
7	800617	BUSHING
8	900238	BUSHING, 16.5 X 25 X 8mm
9	800474.1	BUSHING, SHORT
10	7075	SPRING
11	10622024	WASHER, FLAT, 16.5 X 26 X 1
12	10622026	WASHER, FLAT, 16.5 X 26 X 2
13	W-2210	WASHER, FLAT, 3/8" USS G8
14	N-2101	NUT, NYLOCK 3/8"-16 G8
15	H-2275	BOLT, HEX 5/16"-18 X 2-3/4" Z G5
16	N-1101	NUT, NYLOCK, 5/16"-18 G5
17	HM-61250	HEX, BOLT, 12 X 50, G10.9
18	NM-31205	NUT, NYLOCK, 12mm, G8.8
19	NM-1812	NUT, NYLOCK, 8mm, G8.8
20	NM-21015	NUT, NYLOCK, 10mm, G8.8
21	HM-2865	HEX, BOLT, 8 X 65, G8.8
22	HM-510130	HEX, BOLT, 10 X 130, G10.9
23	CB-1214	BOLT, CARR., 5/16"-18 X 1.50, G5
24	CB-4411	BOLT, CARR., 1/2"-13 X 1.50, G5
25	W-4410	WASHER, FLAT, 1/2" SAE G8
26	N-4101	NUT, NYLOCK 1/2"-13 G8
27	7258.DS	BOLT, HEX, SH, RT, 16 X 80
28	7258.GS	BOLT, HEX, SH, LT, 16 X 80mm
29	N-4001	NUT, HEX, 1/2"-13, G8
30	7074.N	V-CLOSING WHEEL

P-79

7074.N CLOSING WHEEL

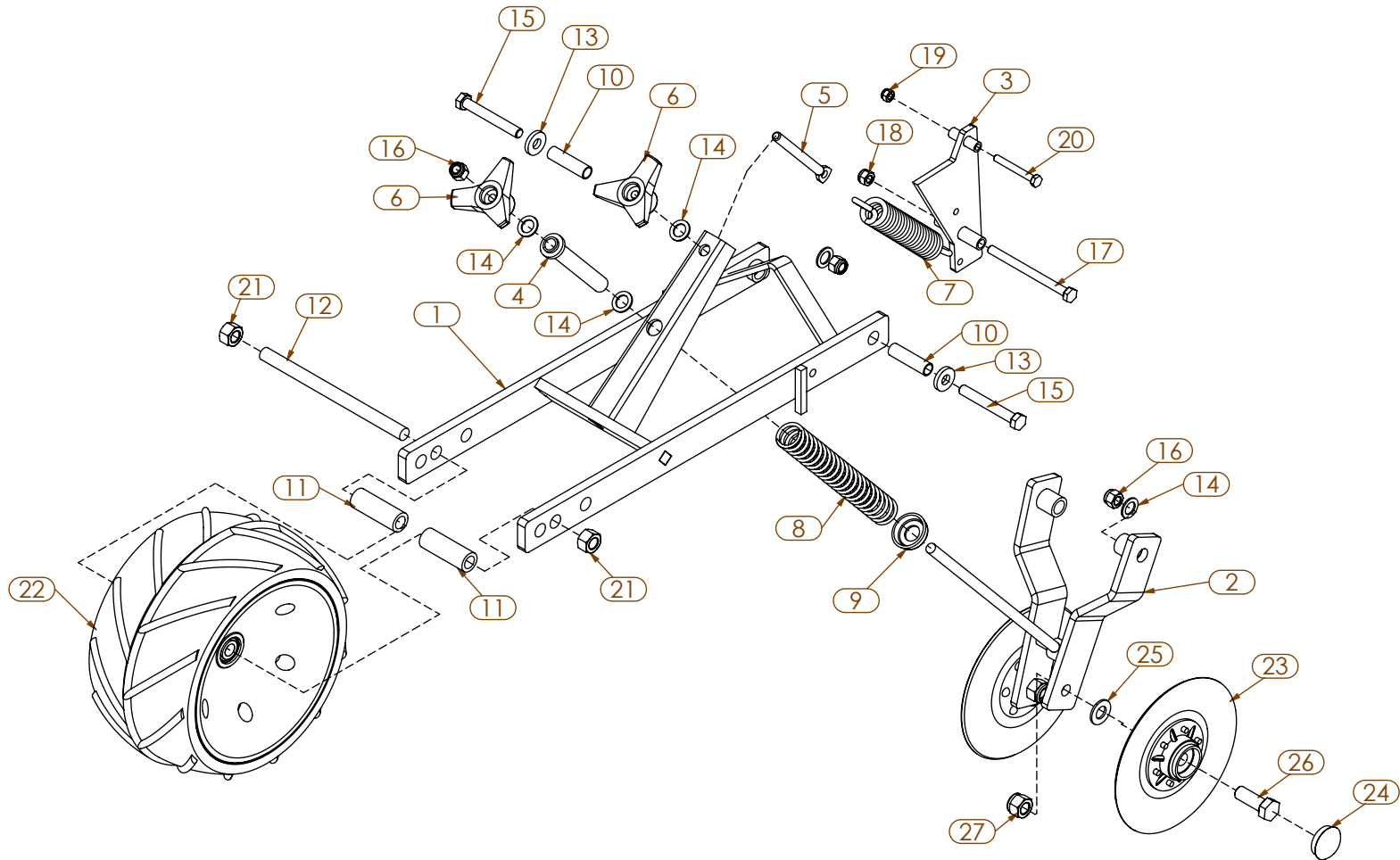


100376 CAST CLOSING WHEEL



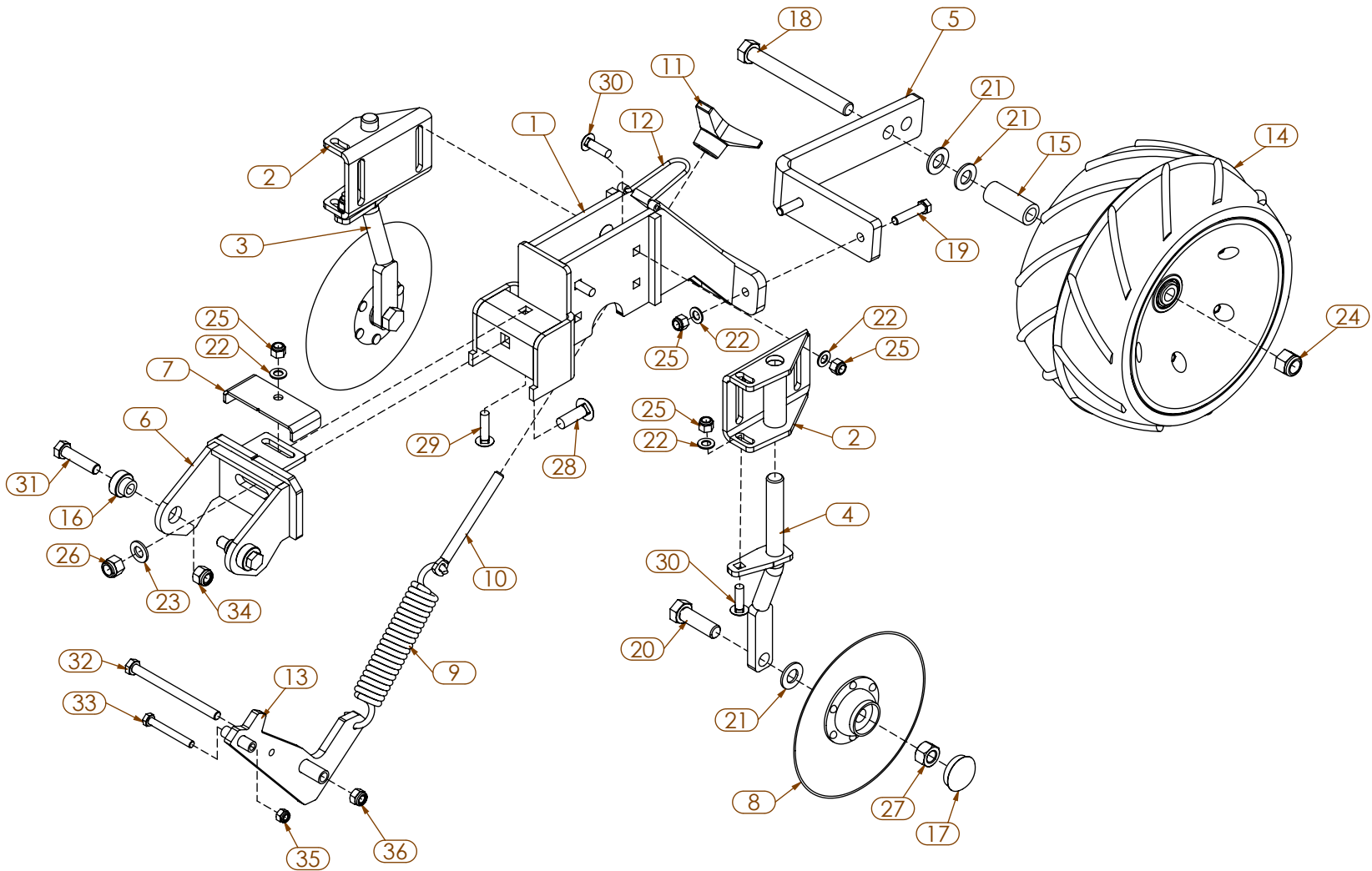
ITEM	PART NUMBER	DESCRIPTION
1	803255	CLOSING WHEEL
2	900125	BEARING, 40mm
3	300732	SNAP RING, 1-1/2"
4	7074.2	TIRE, 1 X 12
5	7074.A40	NYLON RIM HALF

P-81



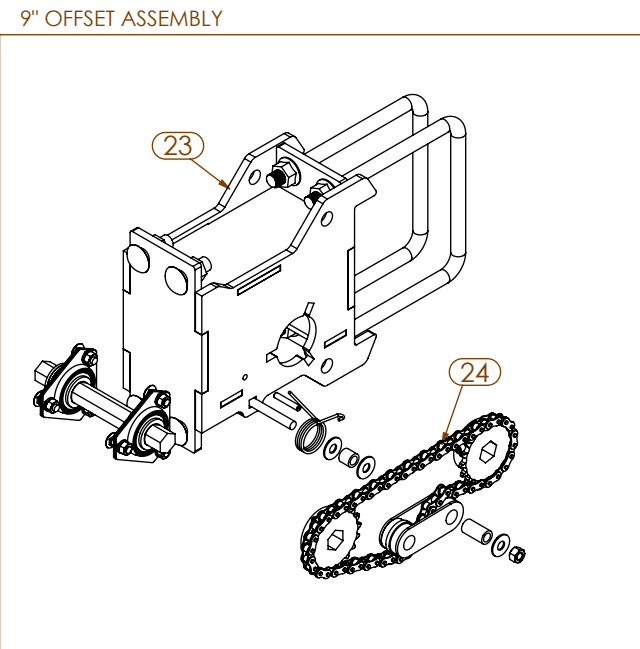
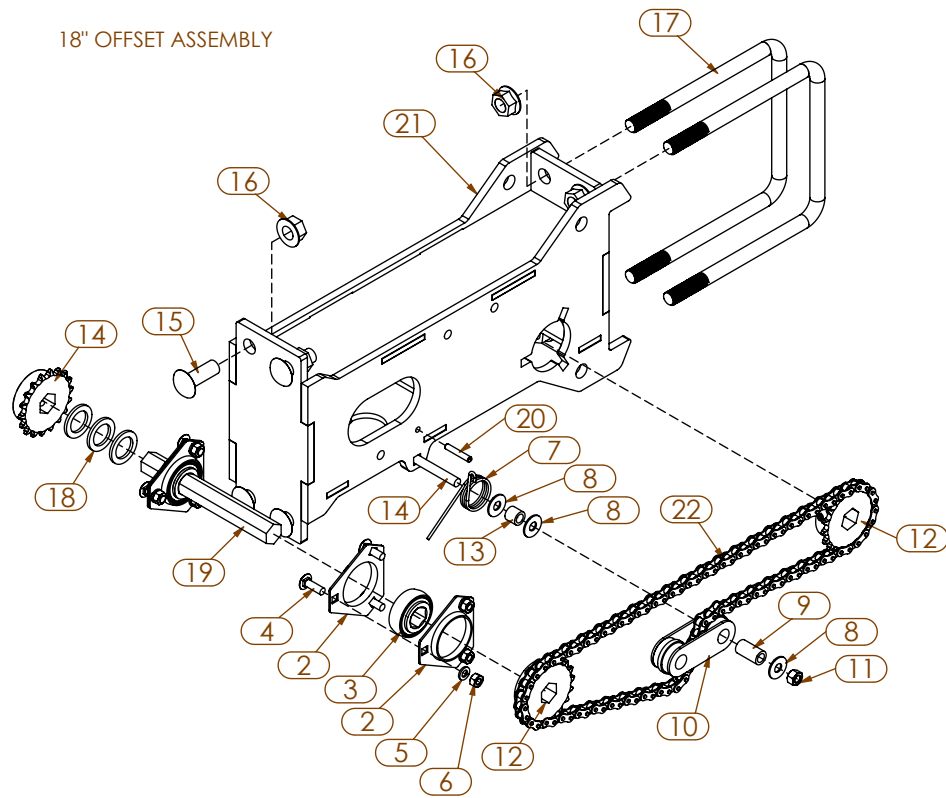
ITEM	PART NUMBER	DESCRIPTION
1	7207.2	FRAME WA
2	7210.A	BRACKET WA
3	7211.A	STOP WA
4	7209	SLEEVE WA
5	7071.2	ADJUSTMENT ROD, 12 X 130mm
6	7082	KNOB
7	7075	SPRING, EXTENSION
8	5513	SPRING, COMPRESSION
9	11210	CAP
10	7028	BUSHING, 16 X 13 X 2.32mm
11	900252	BUSHING, 1.00 X 2.81
12	7224	SHAFT
13	10621055	WASHER, FLAT, 13 X 30 X 5
14	10622026	WASHER, FLAT, 16.5 X 26 X 2
15	HM-61290	HEX, BOLT, 12 X 90, G8.8
16	NM-31205	NUT, NYLOCK, 12mm, G8.8
17	HM-510130	HEX, BOLT, 10 X 130, G10.9
18	NM-21015	NUT, NYLOCK, 10mm, G8.8
19	NM-1812	NUT, NYLOCK, 8mm, G8.8
20	HM-2865	HEX, BOLT, 8 X 65, G8.8
21	NM-51601	NUT, HEX, 16mm, G8.8
22	900083.A	FLAT PRESS WHEEL
23	900262	HILLER DISC ASM 8"
24	KD11845	CAP DUST COVER DISC
25	W-5410	WASHER, FLAT, 5/8" SAE G8
26	HM-81645	HEX, BOLT, 16 X 45, G8.8
27	NM-51605	NUT, NYLOCK, 16mm, G8.8

P-83



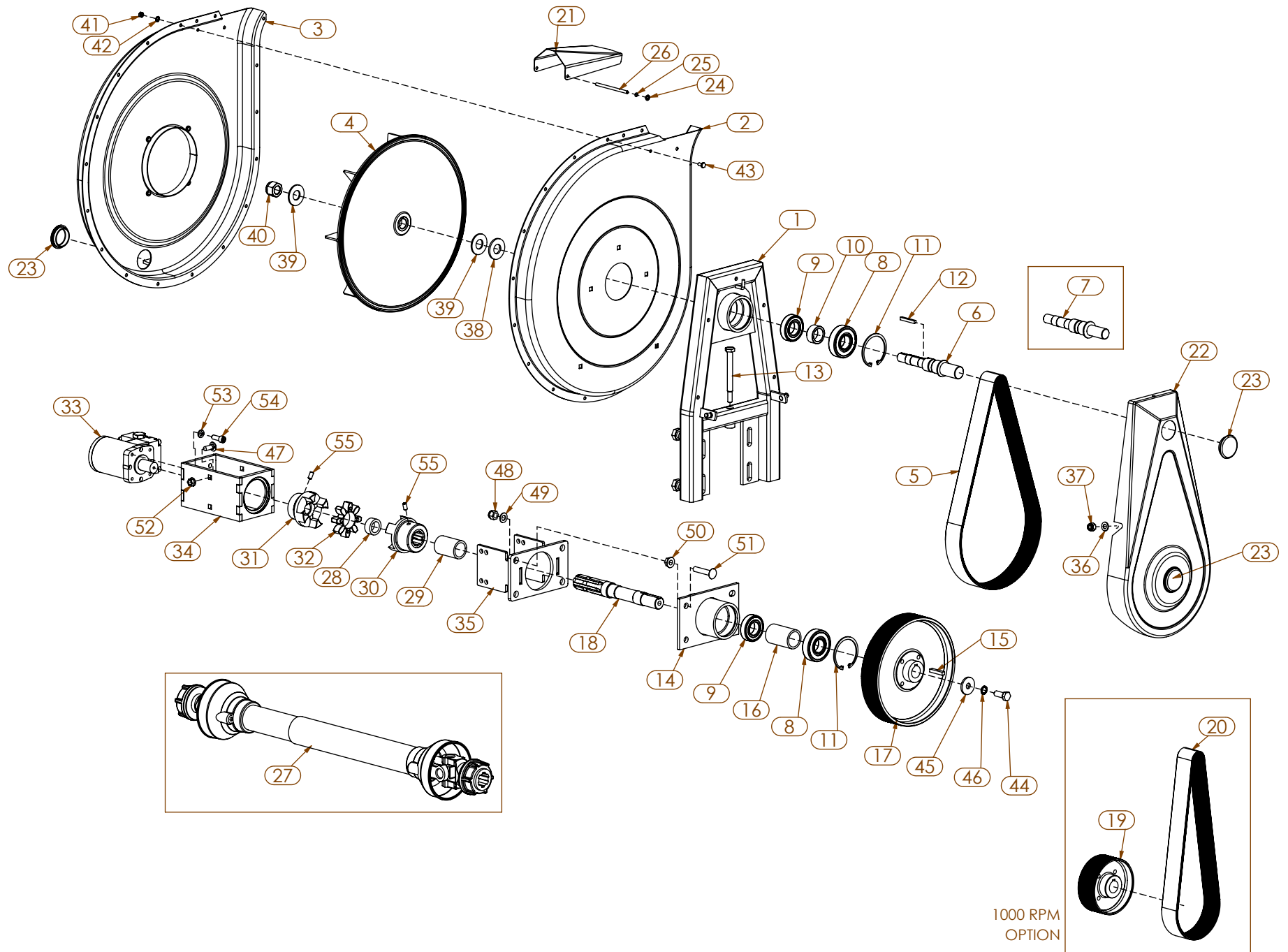
ITEM	PART NUMBER	DESCRIPTION
1	200061	BODY WA
2	200062	DISC ADJUSTMENT WA
3	200063	DISC WHEEL ADJUSTMENT R WA
4	200064	DISC WHEEL ADJUSTMENT L WA
5	800772	ANGLE
6	800582	FRONT BRACKET WA
7	800784	TOP COVER
8	300004	8" DISC
9	7075	SPRING
10	7071.2	ADJUSTMENT ROD, 12 X 130mm
11	7082	KNOB
12	7078	WIRE STOP
13	200001	SPRING PLATE WA
14	900083.A	FLAT PRESS WHEEL
15	800777	BUSHING, 1.000 X .641 X 2.438
16	800474.1	BUSHING, SHORT
17	300996	DUST CAP
18	H-5601	BOLT, HEX, 5/8"-11 X 6" G8
19	H-3130	BOLT, HEX, 3/8"-16 X 1-3/4" G8
20	H-5201	BOLT, HEX, 5/8"-11 X 2" G8
21	W-5410	WASHER, FLAT, 5/8" SAE G8
22	W-2410	WASHER, FLAT, 3/8" SAE G8
23	W-4410	WASHER, FLAT, 1/2" SAE G8
24	N-5101	NUT, NYLOCK, 5/8"-11 G8
25	N-2101	NUT, NYLOCK 3/8"-16 G8
26	N-4101	NUT, NYLOCK 1/2"-13 G8
27	N-5301	NUT, HEX, CL, 5/8"-11
28	CB-4411	BOLT, CARR., 1/2"-13 X 1.50, G5
29	CB-2221	BOLT, CARR., 3/8"-16 X 1.50, G5
30	CB-2214	BOLT, CARR., 3/8"-16 X 1.25, G5
31	HM-61250	HEX, BOLT, 12 X 50, G10.9
32	HM-510130	HEX, BOLT, 10 X 130, G10.9
33	HM-2865	HEX, BOLT, 8 X 65, G8.8
34	NM-31205	NUT, NYLOCK, 12mm, G8.8
35	NM-1812	NUT, NYLOCK, 8mm, G8.8
36	NM-21015	NUT, NYLOCK, 10mm, G8.8

P-85



ITEM	PART NUMBER	DESCRIPTION
1	180039	BEARING, COMPLETE w/ FLANGE
2	300596	FLANGETTE
3	300597	BEARING, 7/8" HEX
4	CB-1110	BOLT, CARR., 5/16"-18 X 1.00, G5
5	W-1610	WASHER, SPLIT, 5/16", G8
6	N-1001	NUT, HEX, 5/16"-18, G5
7	KD11219	TORSION SPRING, L
8	W-2210	WASHER, FLAT, 3/8" USS G8
9	KD1026	BUSHING, .625" X 1.188"
10	KD11962	IDLER, #41 CHAIN
11	N-2300	NUT, HEX, CL, 3/8"-16
12	G41B18	SPROCKET, #41, 18T
13	KD2971-10	SPACER, .625 X .406 X .562
14	CB-2275	BOLT, CARR., 3/8"-16 X 2.75, G5
15	CB-5513	BOLT, CARR., 5/8"-11 X 1.75, G5
16	N-5401	NUT, FLANGE, 5/8"-11
17	4502.S	U-BOLT, 7 X 7 X 5/8-11
18	K10233	BUSHING, 1.50 X 1.00 X .125
19	802545	HEX SHAFT, 7.38
20	10172092	ROLL PIN, 6 X 35mm
21	200422	TR OFFSET BRKT WA
22	300705	CHAIN, #41, 92 PITCHES
23	200585	9" OFFSET BRKT WA
24	300506	CHAIN, #41, 56 PITCHES

P-87

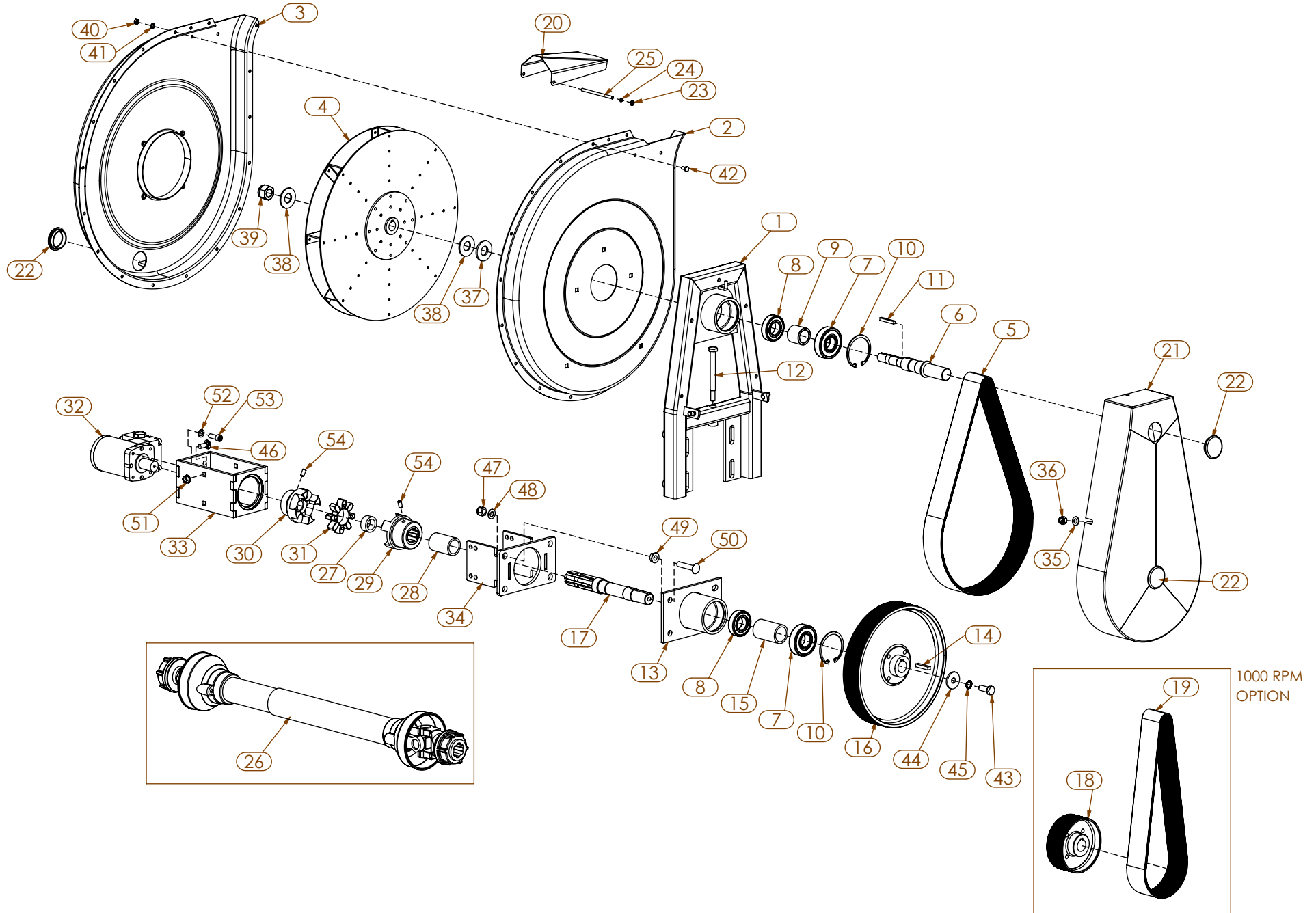


1000 RPM
OPTION

ITEM	PART NUMBER	DESCRIPTION
1	4400.1	SUPPORT FRAME
2	4401.B	FAN HOUSING, (SUPPORT FRAME SIDE)
3	4402.B	FAN HOUSING MANIFOLD SIDE
4	4403.B	FAN BLADE, PLASTIC (16 1/8" DIA.)
5	4413	BELT, STD TURBO 450 & 540 RPM
6	4452	UPPER SHAFT, 540 & 1000 RPM (1 1/8" DIA.)
7	4452.1	UPPER SHAFT 450 RPM
8	4408	BEARING 72mm
9	4407	BEARING 62
10	4410.A	SPACER BUSHING
11	4409	SNAPRING, INTERNAL (72mm)
12	4439.A	KEY FOR UPPER SHAFT (6X6X45mm)
13	4440	BOLT, BELT TENSION ADJUSTMENT
14	4404	SHAFT HOUSING
15	4437	KEY, 8 X 7 X 40mm)
16	4411	SPACER BUSHING (LOWER SHAFT)
17	4412.2	PULLEY, 450 & 540 RPM
18	4405.A	LOWER SHAFT(W/1 3/8" 6 SPLINE ADAPTER)
19	4412.3	LOWER PULLEY, 1000 RPM 25 GROOVES (150mm)
20	4413.1	BELT, STD TURBO 1000 RPM
21	4429.A	OUTLET SHIELD
22	4414.2	COVER SHIELD
23	300571	PLUG, MINI HOPPER
24	6090	STOP SNAP RING, 6mm
25	6089	RUBBER RING
26	4455	TURBOFAN VALVE PIN
27	4428.B	PTO SHAFT, 24"
28	800436	SPIDER RING
29	5039	COUPLING SPACER, 62MM LONG
30	5040	COUPLING, TURBOFAN END, 6 SPLINE
31	5042	COUPLING, MOTOR SIDE, 1" KEYED
32	5041	ELASTIC SHOCK ABSORBER
33	FTA0232-1	STD & HIGH OUTPUT TURBO MOTOR
34	200161	BRACKET WA WITH MACHINING
35	200266	MOTOR MOUNT END WA

ITEM	PART NUMBER	DESCRIPTION
36	10620089	WASHER, FLAT, 10.5 X 20 X 2
37	NM-21015	NUT, NYLOCK, 10mm, G8.8
38	10623043	WASHER, FLAT, 22.5 X 48 X 4
39	10623042	WASHER, FLAT, 22.5 X 48 X 3
40	NM-72005	NUT, NYLOCK, 20mm, G8.8
41	NM-0601	NUT, HEX, 6mm, G8.8
42	10629007	WASHER, ET LOCK, 6mm
43	HM-0612	HEX, BOLT, 6 X 12, G8.8
44	HM-61230	HEX, BOLT, 12 X 30, G8.8
45	10621061	WASHER, FLAT, 13 X 40 X 4
46	10629013	WASHER, ET LOCK, 12mm
47	CB-2210	BOLT, CARR., 3/8"-16 X 1", G5
48	N-3101	NUT, NYLOCK 7/16"-14 G5
49	W-3410	WASHER, FLAT, 7/16"SAE G8
50	N-3103	NUT, SER. FLANGE, 7/16"-14
51	CB-3323	BOLT, CARR., 7/16"-14 X 2.25, G5
52	N-2301	NUT, SER. FLANGE, 3/8"-16
53	W-2610	WASHER, SPLIT, 3/8", G8
54	F23305	SCREW, SHC, 3/8"-16 X 1
55	10591915	SET SCREW, SH, 8 X 16

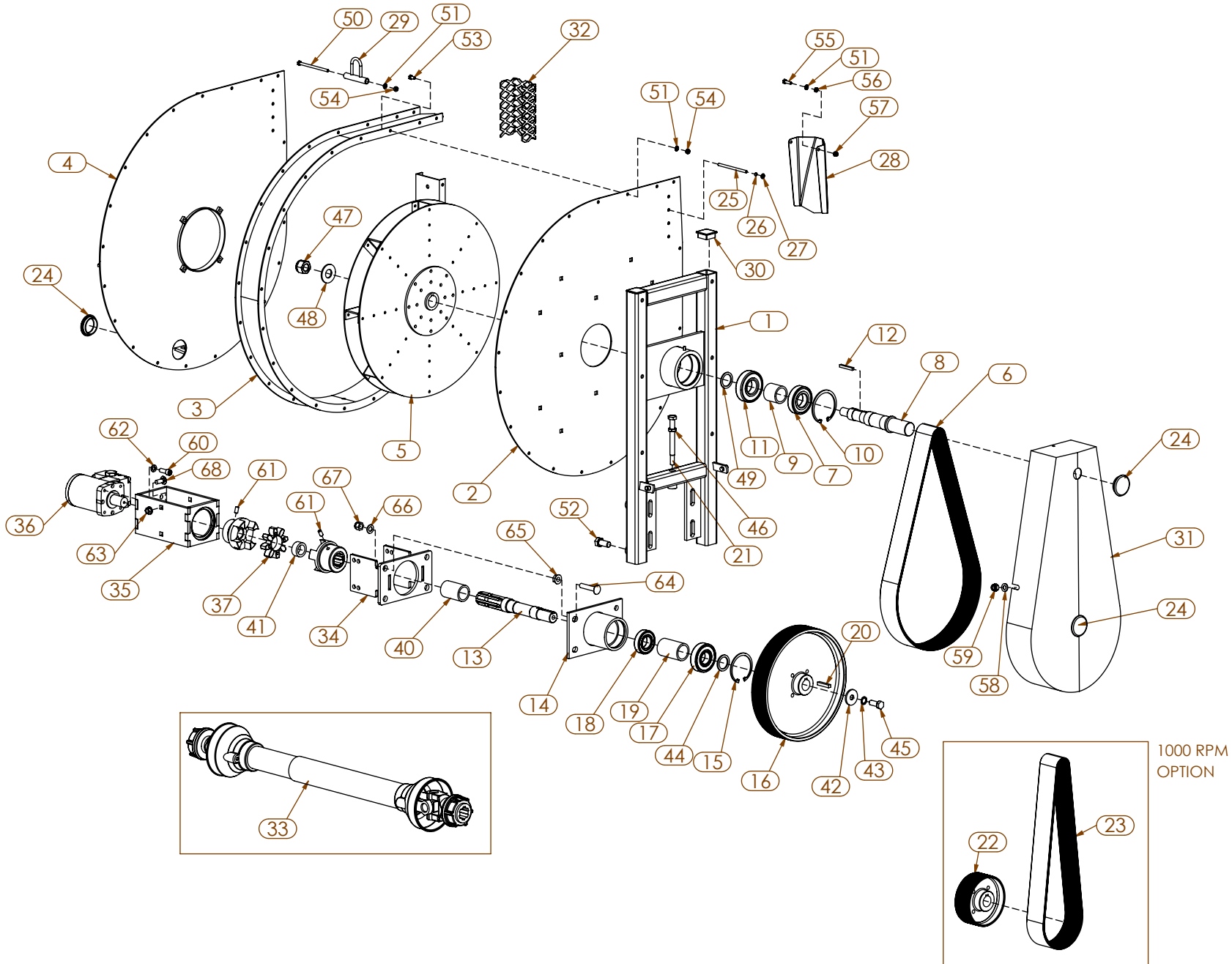
P-89



ITEM	PART NUMBER	DESCRIPTION
1	4400.1A	SUPPORT FRAME
2	4401.B	FAN HOUSING, (SUPPORT FRAME SIDE)
3	4402.C	FAN HOUSING, (MANIFOLD SIDE)
4	4403.D	FAN BLADE (ALUMINUM, 17 3/4" DIA)
5	4413.B	BELT, 500 RPM 25 GROOVES (1244J25)
6	4452.B	UPPER SHAFT (1 1/8" DIA PULLEY)
7	4408	BEARING 72mm
8	4407	BEARING 62
9	4410	SPACER, UPPER SHAFT, HI OUTPUT
10	4409	SNAPRING, INTERNAL (72mm)
11	4439.A	KEY FOR UPPER SHAFT (6X6X45mm)
12	4440	BOLT, BELT TENSION ADJUSTMENT
13	4404.A	SHAFT HOUSING (LOWER DRIVE SHAFT)
14	4437	KEY, 8 X 7 X 40mm)
15	4411	SPACER BUSHING (LOWER SHAFT)
16	4412.B	LOWER PULLEY, 540/500 RPM 25 GROOVES, (290mm)
17	4405.A	LOWER SHAFT(W/1 3/8" 6 SPLINE ADAPTER)
18	4412.1B	LOWER PULLEY, 1000 RPM 25 GROOVES (150mm)
19	4413.1B	BELT, 1000 RPM 25 GROOVES (991J25)
20	4429.A	OUTLET SHIELD
21	4414.3	COVER SHIELD, HO FAN
22	300571	PLUG, MINI HOPPER
23	6090	STOP SNAP RING, 6mm
24	6089	RUBBER RING
25	4455	TURBOFAN VALVE PIN
26	4428.B	PTO SHAFT, 24"
27	800436	SPIDER RING
28	5039	COUPLING SPACER, 62MM LONG
29	5040	COUPLING, TURBOFAN END, 6 SPLINE
30	5042	COUPLING, MOTOR SIDE, 1" KEYED
31	5041	ELASTIC SHOCK ABSORBER
32	FTA0425	TURBO MOTOR W BLOCK - 4.5 CI
33	200161	BRACKET WA WITH MACHINING
34	200266	MOTOR MOUNT END WA

ITEM	PART NUMBER	DESCRIPTION
35	10620089	WASHER, FLAT, 10.5 X 20 X 2
36	NM-21015	NUT, NYLOCK, 10mm, G8.8
37	10623043	WASHER, FLAT, 22.5 X 48 X 4
38	10623042	WASHER, FLAT, 22.5 X 48 X 3
39	NM-72005	NUT, NYLOCK, 20mm, G8.8
40	NM-0601	NUT, HEX, 6mm, G8.8
41	10629007	WASHER, ET LOCK, 6mm
42	HM-0612	HEX, BOLT, 6 X 12, G8.8
43	HM-61230	HEX, BOLT, 12 X 30, G8.8
44	10621061	WASHER, FLAT, 13 X 40 X 4
45	10629013	WASHER, ET LOCK, 12mm
46	CB-2210	BOLT, CARR., 3/8"-16 X 1", G5
47	N-3101	NUT, NYLOCK 7/16"-14 G5
48	W-3410	WASHER, FLAT, 7/16"SAE G8
49	N-3103	NUT, SER. FLANGE, 7/16"-14
50	CB-3323	BOLT, CARR., 7/16"-14 X 2.25, G5
51	N-2301	NUT, SER. FLANGE, 3/8"-16
52	W-2610	WASHER, SPLIT, 3/8", G8
53	F23305	SCREW, SHC, 3/8"-16 X 1
54	10591915	SET SCREW, SH, 8 X 16

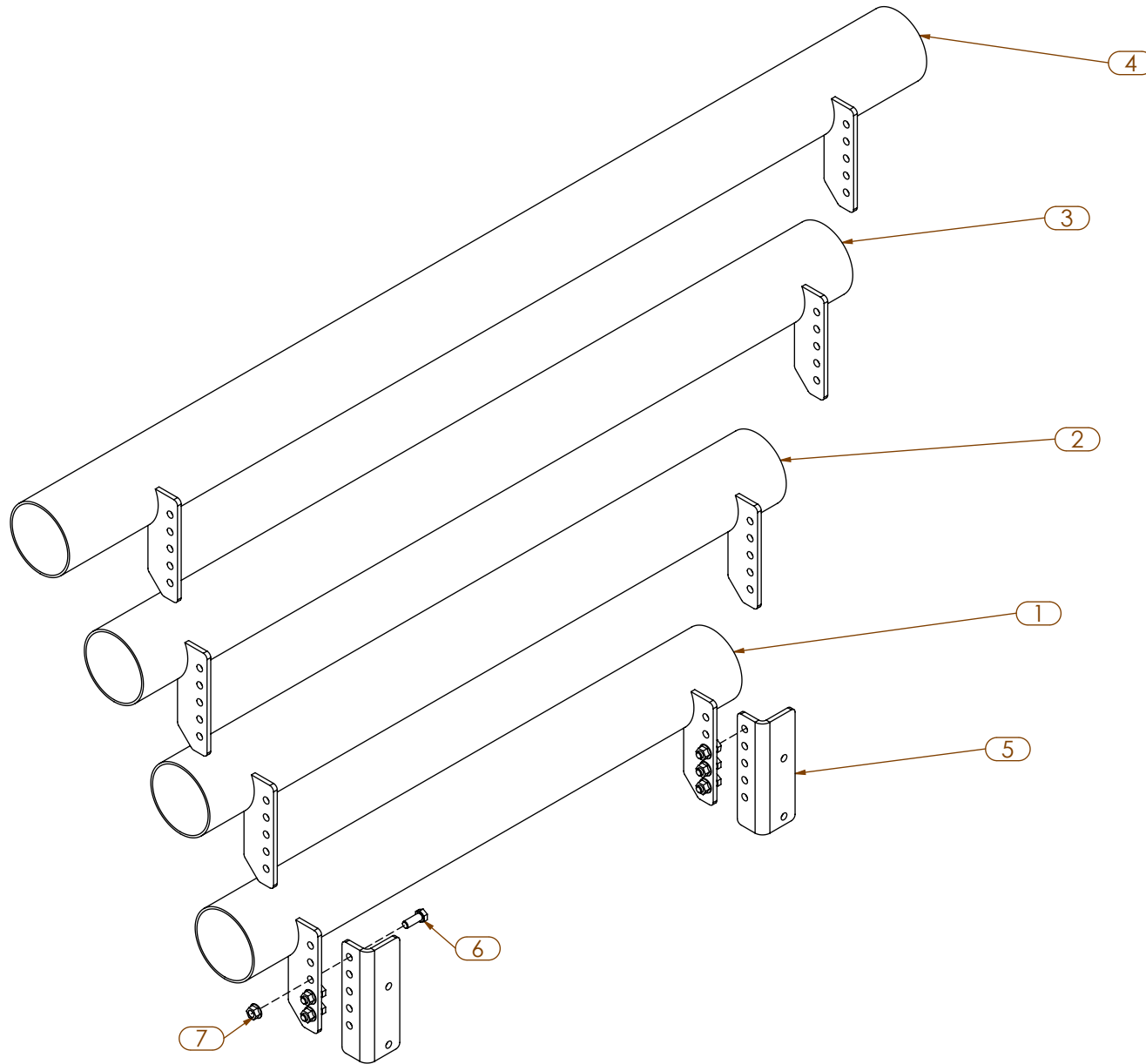
P-91



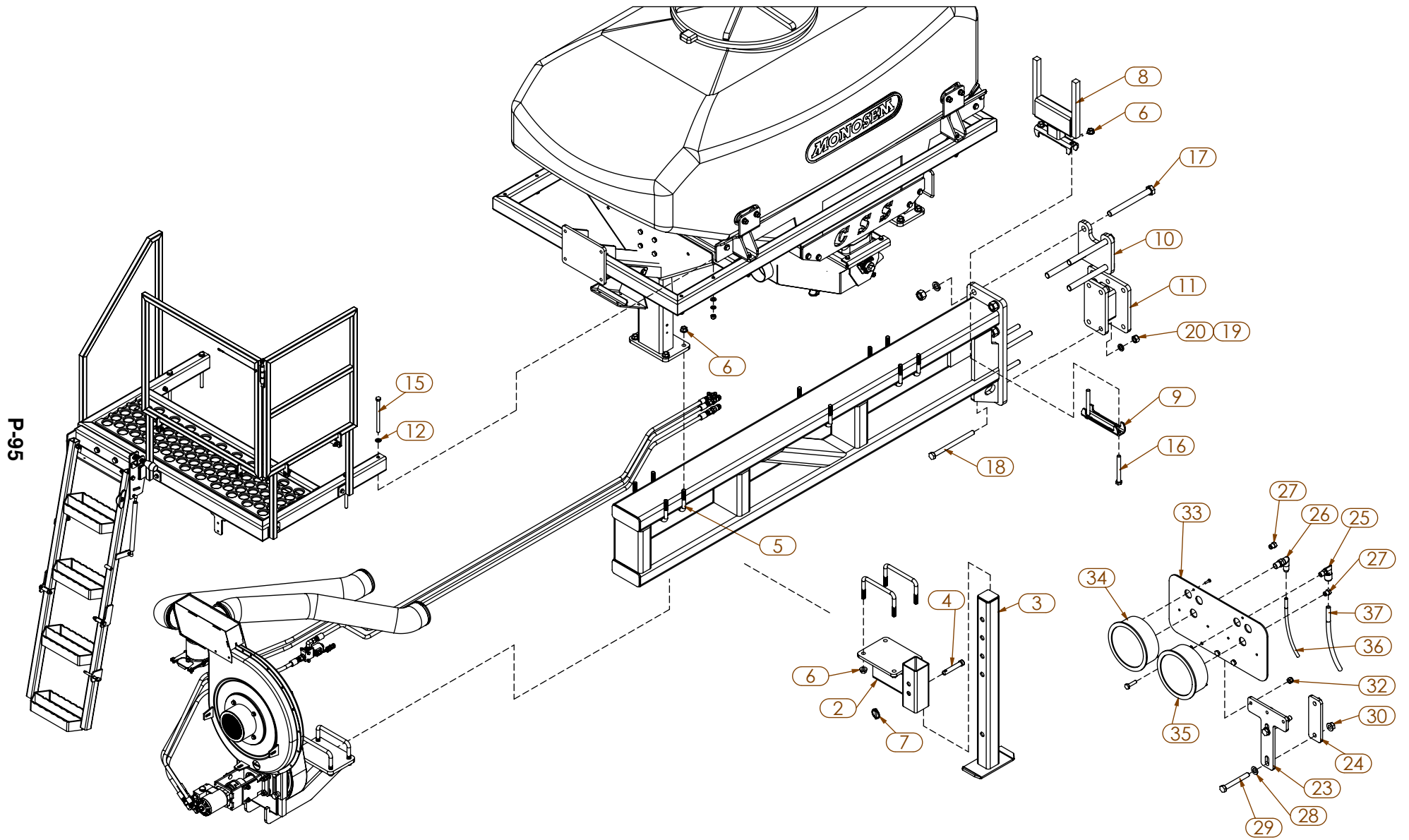
ITEM	PART NUMBER	DESCRIPTION
1	4240	SUPPORT FRAME
2	4241	FAN HOUSING (SUPPORT FRAME SIDE)
3	4243	FAN HOUSING SIDEWALL
4	4242	FAN HOUSING (MANIFOLD SIDE)
5	4244.CO	FAN BLADE, ALUMINUM 19 5/8" DIA.
6	4249.2	BELT, 540 RPM 25 GROOVES (1335J25)
7	4251	BEARING UPPER SHAFT (62072RS1)
8	4248.1	UPPER SHAFT, 25 GROOVES (35mm O.D.)
9	4247	SPACER BUSHING (UPPER SHAFT)
10	4246	SNAPRING, INTERNAL (80mm)
11	4252	BEARING UPPER SHAFT (63072RS1)
12	4439.A	KEY FOR UPPER SHAFT (6X6X45mm)
13	4405.A	LOWER SHAFT(W/1 3/8" 6 SPLINE ADAPTER)
14	4404.A	SHAFT HOUSING (LOWER DRIVE SHAFT)
15	4409	SNAPRING, INTERNAL (72mm)
16	4412.B	LOWER PULLEY, 540/500 RPM 25 GROOVES, (290mm)
17	4408	BEARING 72mm
18	4407	BEARING 62
19	4411	SPACER BUSHING (LOWER SHAFT)
20	4437	KEY, 8 X 7 X 40mm)
21	4440	BOLT, BELT TENSION ADJUSTMENT
22	4412.1B	LOWER PULLEY, 1000 RPM 25 GROOVES (150mm)
23	4249.3	BELT, 1000 RPM 25 GROOVES
24	300571	PLUG, MINI HOPPER
25	4455	TURBOFAN VALVE PIN
26	6089	RUBBER RING
27	6090	STOP SNAP RING, 6mm
28	4429.A	OUTLET SHIELD
29	4253	SUPPORT EYE
30	9525	END CAP
31	4250	COVER SHIELD, XHO TURBO FAN
32	4254	SCREEN
33	4428.B	PTO SHAFT, 24"
34	200266	MOTOR MOUNT END WA
35	200161	BRACKET WA WITH MACHINING
36	FTA0425	TURBO MOTOR W BLOCK - 4.5 CI

ITEM	PART NUMBER	DESCRIPTION
37	5041	ELASTIC SHOCK ABSORBER
38	5042	COUPLING, MOTOR SIDE, 1" KEYED
39	5040	COUPLING, TURBOFAN END, 6 SPLINE
40	5039	COUPLING SPACER, 62MM LONG
41	800436	SPIDER RING
42	10621061	WASHER, FLAT, 13 X 40 X 4
43	10629013	WASHER, ET LOCK, 12mm
44	B18.22M	WASHER, FLAT, 13 X 18 X 2
45	HM-61230	HEX, BOLT, 12 X 30, G8.8
46	NM-31203	NUT, HEX, JAM, 12mm, G8.8
47	NM-72005	NUT, NYLOCK, 20mm, G8.8
48	10623042	WASHER, FLAT, 22.5 X 48 X 3
49	10624016	WASHER, FLAT, 31 X 41 X 2
50	HM-16100	HEX, BOLT, 6 X 100, G10.9
51	10629007	WASHER, ET LOCK, 6mm
52	HM-71430	HEX, BOLT, 14 X 30, G8.8
53	HM-0612	HEX, BOLT, 6 X 12, G8.8
54	NM-0601	NUT, HEX, 6mm, G8.8
55	HM-0620	HEX, BOLT, 6 X 20, G8.8
56	NM-0610	NUT, HEX, JAM, 6mm, G8.8
57	NM-0605	NUT, NYLOCK, 6mm, G8.8
58	10620089	WASHER, FLAT, 10.5 X 20 X 2
59	NM-21015	NUT, NYLOCK, 10mm, G8.8
60	F23305	SCREW, SHC, 3/8"-16 X 1
61	10591915	SET SCREW, SH, 8 X 16
62	W-2610	WASHER, SPLIT, 3/8", G8
63	N-2301	NUT, SER. FLANGE, 3/8"-16
64	CB-3323	BOLT, CARR., 7/16"-14 X 2.25, G5
65	N-3103	NUT, SER. FLANGE, 7/16"-14
66	W-3410	WASHER, FLAT, 7/16"SAE G8
67	N-3101	NUT, NYLOCK 7/16"-14 G5
68	CB-2210	BOLT, CARR., 3/8"-16 X 1", G5

P-93



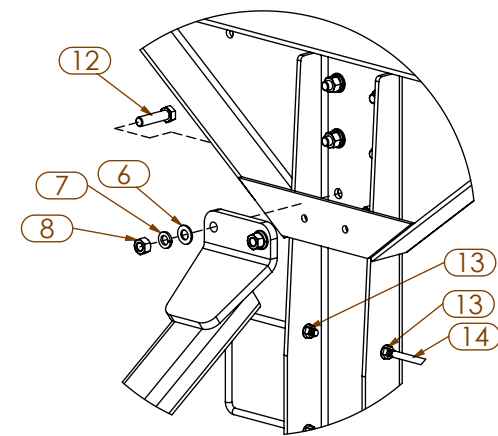
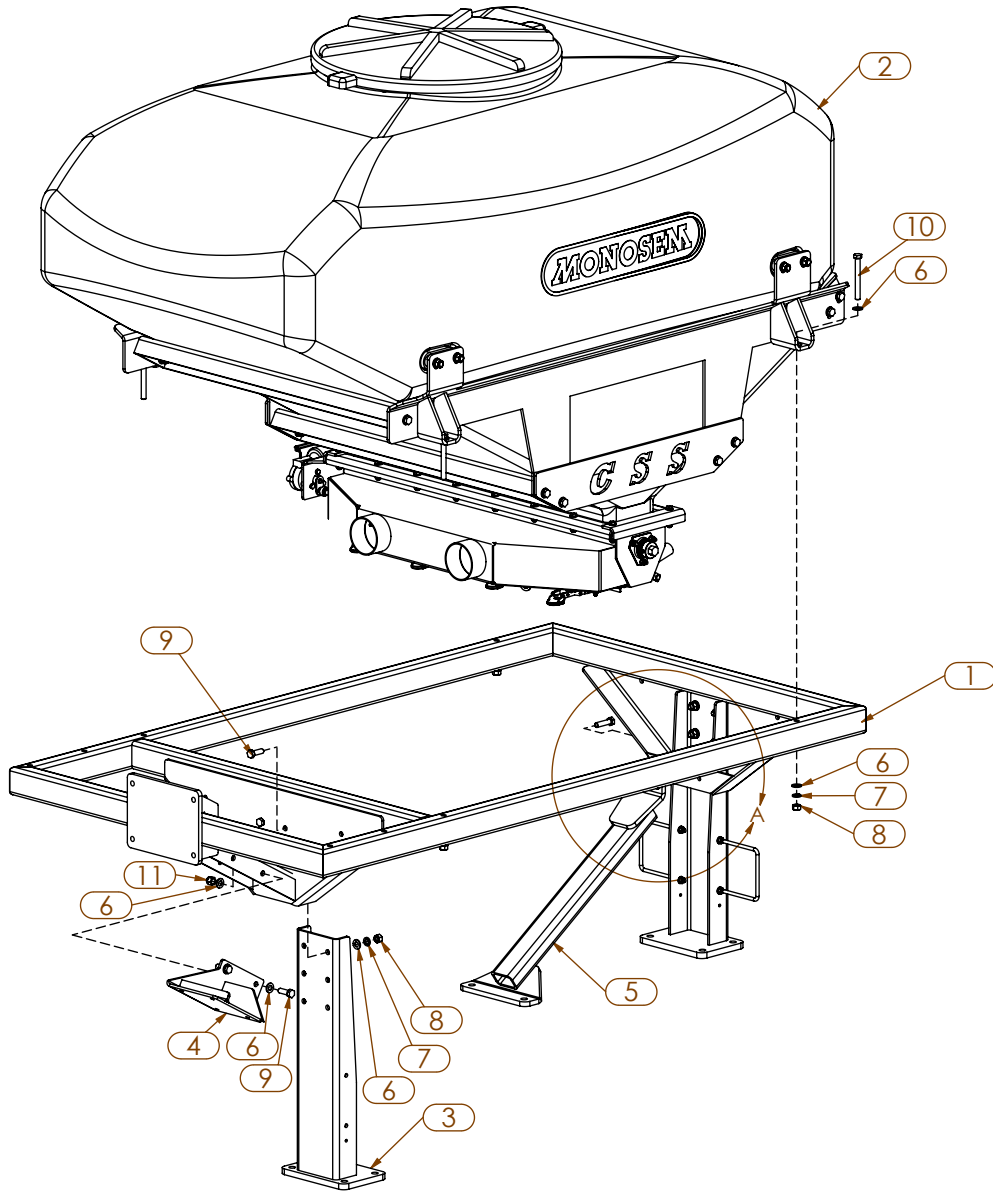
ITEM	PART NUMBER	DESCRIPTION
1	200399	BAZOOKA TUBE 33" LONG
2	200412	BAZOOKA TUBE 39" LONG
3	200398	BAZOOKA TUBE 48" LONG
4	200731	BAZOOKA TUBE 58" LONG 16 ROW FRAME
5	800201	TOP ARM CLAMP
6	H-3100	BOLT, HEX, 3/8"-16 X 1" G8
7	N-2301	NUT, SER. FLANGE, 3/8"-16



ITEM	PART NUMBER	DESCRIPTION
1	201293	DIVING BOARD, OPEN SQUARE
2	200488	JACKSTAND BRACKET WA UNR
3	STB-A-002	JACKSTAND LEG WA
4	STB-P-003	JACKSTAND PIN
5	900164	U-BOLT, 5/8"-11 X 7 X 3
6	N-5401	NUT, FLANGE, 5/8"-11
7	6077	LYNCH PIN, 6MM
8	200074	TURBO MOUNT WA
9	6969.1	CLAMP, 7 X 7, 2 HOLE
10	800466.18	PLATE
11	800276	HITCH SPACER CENTER 4"
12	W-4410	WASHER, FLAT, 1/2" SAE G8
13	W-4610	WASHER, SPLIT, 1/2", G8
14	N-4001	NUT, HEX, 1/2"-13, G8
15	H-4701	BOLT, HEX, 1/2"-13 X 7" G8
16	H-5550	BOLT, HEX, 5/8"-11 X 5-1/2" G5
17	H-7610	BOLT, HEX, 1"-8 X 10" G8
18	H-6959	BOLT, HEX, 3/4"-10 X 10" G8
19	W-6610	WASHER, SPLIT, 3/4", G8
20	N-6001	NUT, HEX, 3/4"-10, G8
21	W-7610	WASHER, SPLIT, 1", G8
22	N-8001	NUT, HEX, 1"-8, G8
23	800312	12 ROW STACKER MOUNT
24	800203	SANDWICH PLATE
25	T279PP-6-2	3/8-1/8 POLYPUSH SWIVEL 90
26	T279-PP-4-2	1/4-1/8 POLYPUSH SWIVEL 90
27	D200108-00	FILTER VENT PLUG

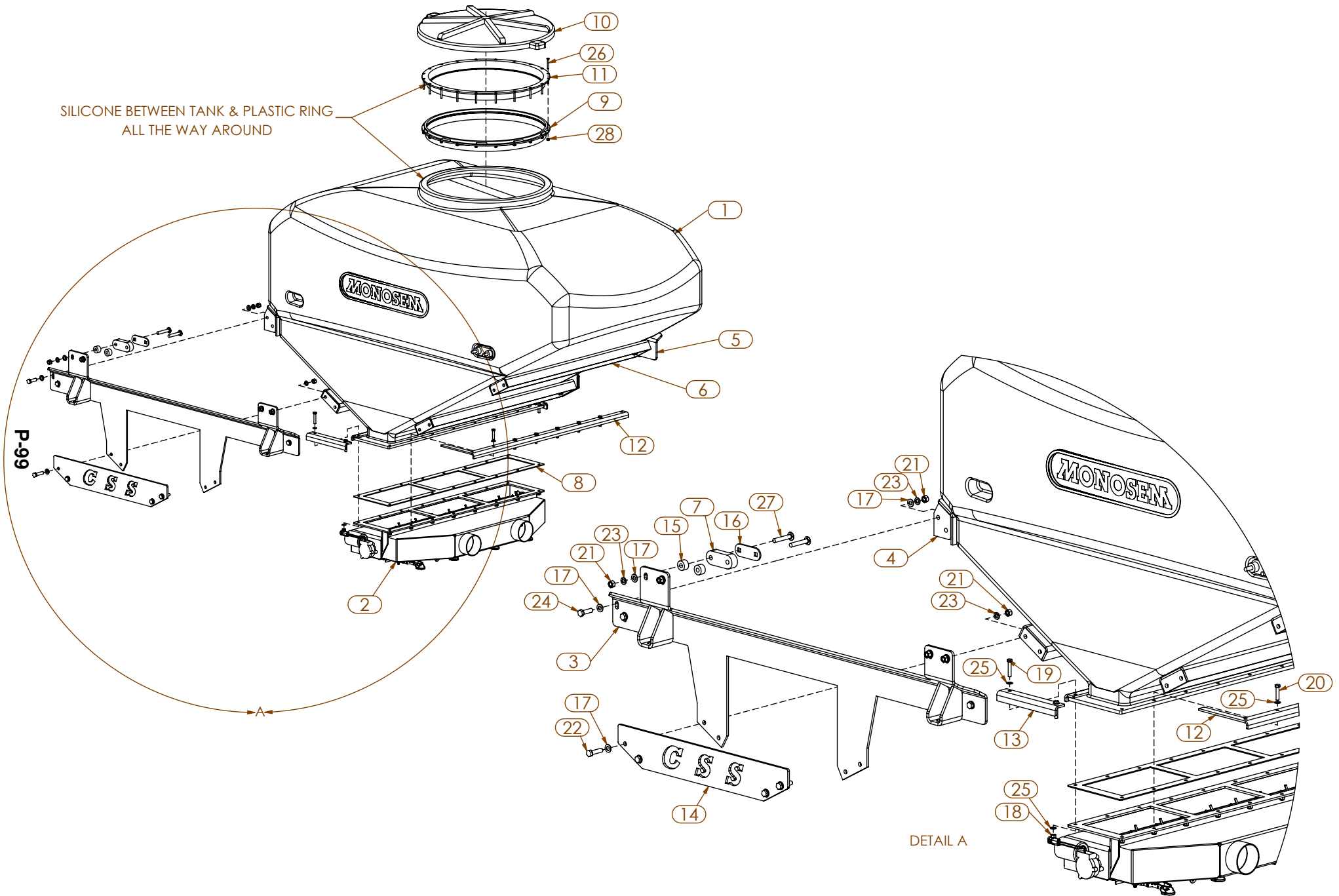
ITEM	PART NUMBER	DESCRIPTION
28	W-2410	WASHER, FLAT, 3/8" SAE G8
29	H-3309	BOLT, HEX, 3/8"-16 X 3" G5
30	N-2301	NUT, SER. FLANGE, 3/8"-16
31	H-1000	BOLT, HEX, 1/4"-20 X 1" G5
32	N-0610	NUT, NYLOCK 1/4"-20
33	800187	DOUBLE GAUGE PANEL
34	D2040	VACUUM GAUGE
35	301094	PRESSURE GAUGE, CSS 0-20 OZ/SQ. IN.
36	JPT04	TUBING 1/4"
37	JPT06	TUBING 3/8"

P-97

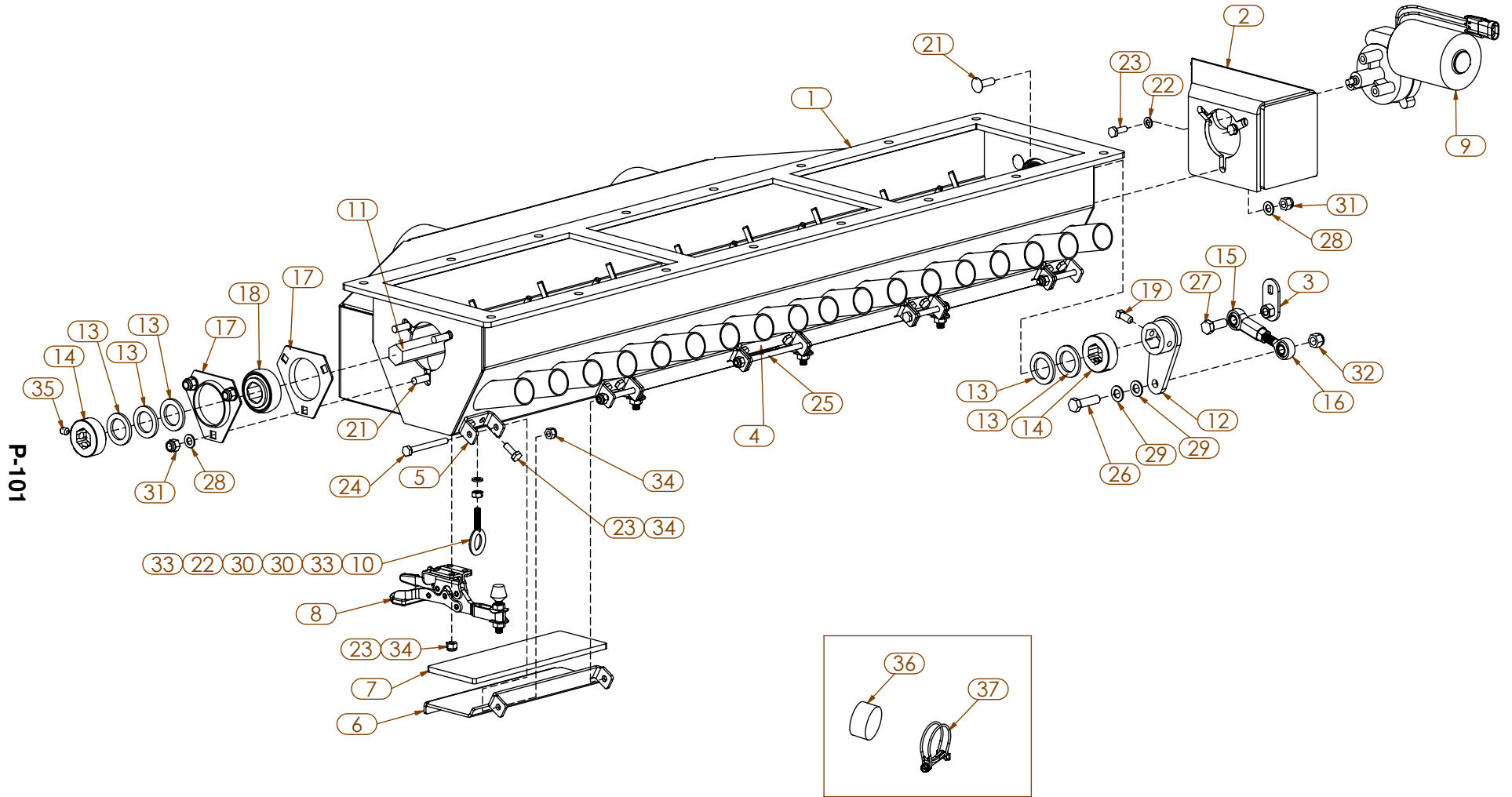


DETAIL A

ITEM	PART NUMBER	DESCRIPTION
1	200028	CRADLE FRAME WA
2	100008	TANK CRADLE ASM
3	200029	LEG WA
4	200021	STACKER BLOWER FAN BRACKET
5	200405	ANGLE BRACE
6	W-4410	WASHER, FLAT, 1/2" SAE G8
7	W-4610	WASHER, SPLIT, 1/2", G8
8	N-4001	NUT, HEX, 1/2"-13, G8
9	H-4120	BOLT, HEX, 1/2"-13 X 1-1/2" G8
10	H-4415	BOLT, HEX, 1/2"-13 X 4-1/2" G8
11	N-4101	NUT, NYLOCK 1/2"-13 G8
12	H-4201	BOLT, HEX, 1/2"-13 X 2" G8
13	N-2301	NUT, SER. FLANGE, 3/8"-16
14	4647.SS	U-BOLT, 5 X 5 X 3/8"-16



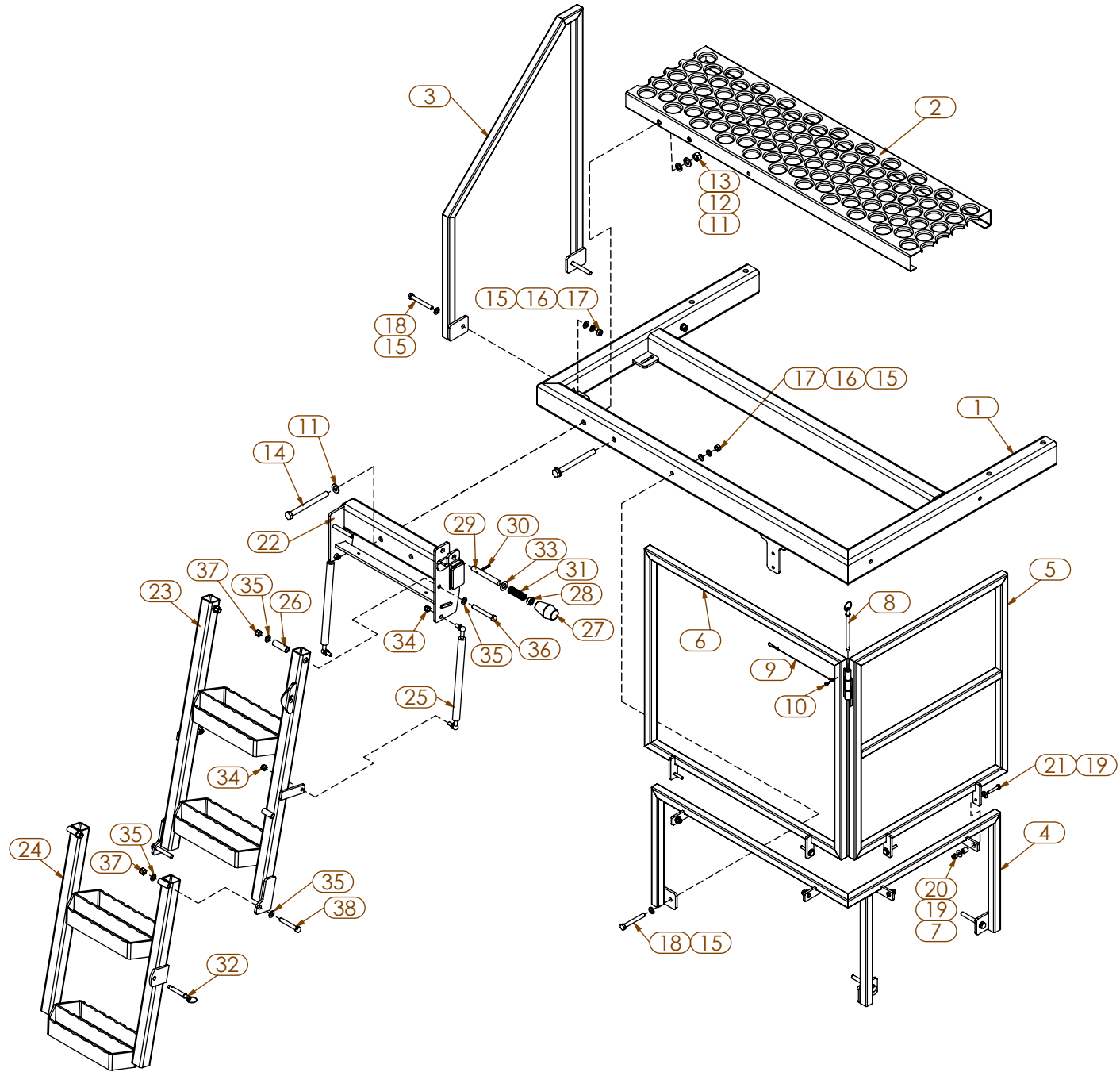
ITEM	PART NUMBER	DESCRIPTION
1	SDS-010	TANK
2	100006	18 OUTLET BULK FILL MANIFOLD
3	200024	SIDE RAIL WA, LEFT
4	200025	FRONT RAIL
5	200023	SIDE RAIL WA, R
6	200026	BACK RAIL
7	800686	GRIPPER
8	800500.27	GASKET
9	800618.20	LID RING
10	HIA78269	LID
11	HIA56254	LID RING
12	801509	CSS CLAMP PLATE
13	801538	CLAMP, END PLATE
14	801931	GUSSET
15	801950	BUSHING, 1.250 X .531 X .75
16	801976	GRIPPER PLATE
17	W-4410	WASHER, FLAT, 1/2" SAE G8
18	N-2101	NUT, NYLOCK 3/8"-16 G8
19	H-3200	BOLT, HEX, 3/8"-16 X 2" G8
20	H-3130	BOLT, HEX, 3/8"-16 X 1-3/4" G8
21	N-4001	NUT, HEX, 1/2"-13, G8
22	H-4201	BOLT, HEX, 1/2"-13 X 2" G8
23	W-4610	WASHER, SPLIT, 1/2", G8
24	H-4130	BOLT, HEX, 1/2"-13" X 1.75" G8
25	W-2410	WASHER, FLAT, 3/8" SAE G8
26	F29578	SCREW, FH, PH, 1/4" X 2.00"
27	CB-4430	BOLT, CARR., 1/2"-13 X 3.00, G5
28	N-0610	NUT, NYLOCK 1/4"-20



ITEM	PART NUMBER	DESCRIPTION
1	200043	TANK MANIFOLD WA
2	200134	HOUSING WELDMENT
3	200090	LINKAGE WA
4	800500.23	HINGE
5	800500.24	HINGE
6	800500.21	DOOR
7	800500.30	BOTTOM DOOR SEAL
8	300005	TOGGLE CLAMP
9	100690	AGITATOR MOTOR WITH CONNECTOR
10	MCM3013	EYEBOLT, 1/4"-20
11	100020	AGITATOR ASM
12	800500.14	AGITATOR SHAFT COUPLER WA
13	K10233	BUSHING, 1.50 X 1.00 X .125
14	4523.1A	LOCK COLLAR, 7/8" HEX BORE - Z
15	300162	ROD END, FEMALE
16	300163	ROD END, MALE
17	4515.2	FLANGETTE
18	4515.1	BEARING, HEX BORE
19	F0172001	SCREW, SQ. HD., 5/16"-18 X 5/8"
20	N-2302	NUT, HEX, 3/8"-24, G8
21	CB-1110	BOLT, CARR., 5/16"-18 X 1.00, G5
22	W-0610	WASHER, SPLIT, 1/4", G8
23	H-1074	BOLT, HEX, 1/4"-20 X 3/4" G5
24	H-1250	BOLT, HEX, 1/4"-20 X 2-1/2" G5
25	H-1450	BOLT, HEX, 1/4"-20 X 4-1/2" G5
26	H-3110	BOLT, HEX, 3/8"-16 X 1-3/8" G8
27	H-3100	BOLT, HEX, 3/8"-16 X 1" G8
28	W-1410	WASHER, FLAT, 5/16" SAE G8
29	W-2410	WASHER, FLAT, 3/8" SAE G8
30	W-0410	WASHER, FLAT, 1/4" SAE G8
31	N-1101	NUT, NYLOCK, 5/16"-18 G5
32	N-2100	NUT, NYLOCK 3/8"-16 G5
33	N-0601	NUT, HEX, 1/4-20, G8
34	N-0610	NUT, NYLOCK 1/4"-20

ITEM	PART NUMBER	DESCRIPTION
35	F1125437	SET SCREW, SH, 5/16"-18 X 3/8"
36	4422	CAP
37	4417	CLAMP

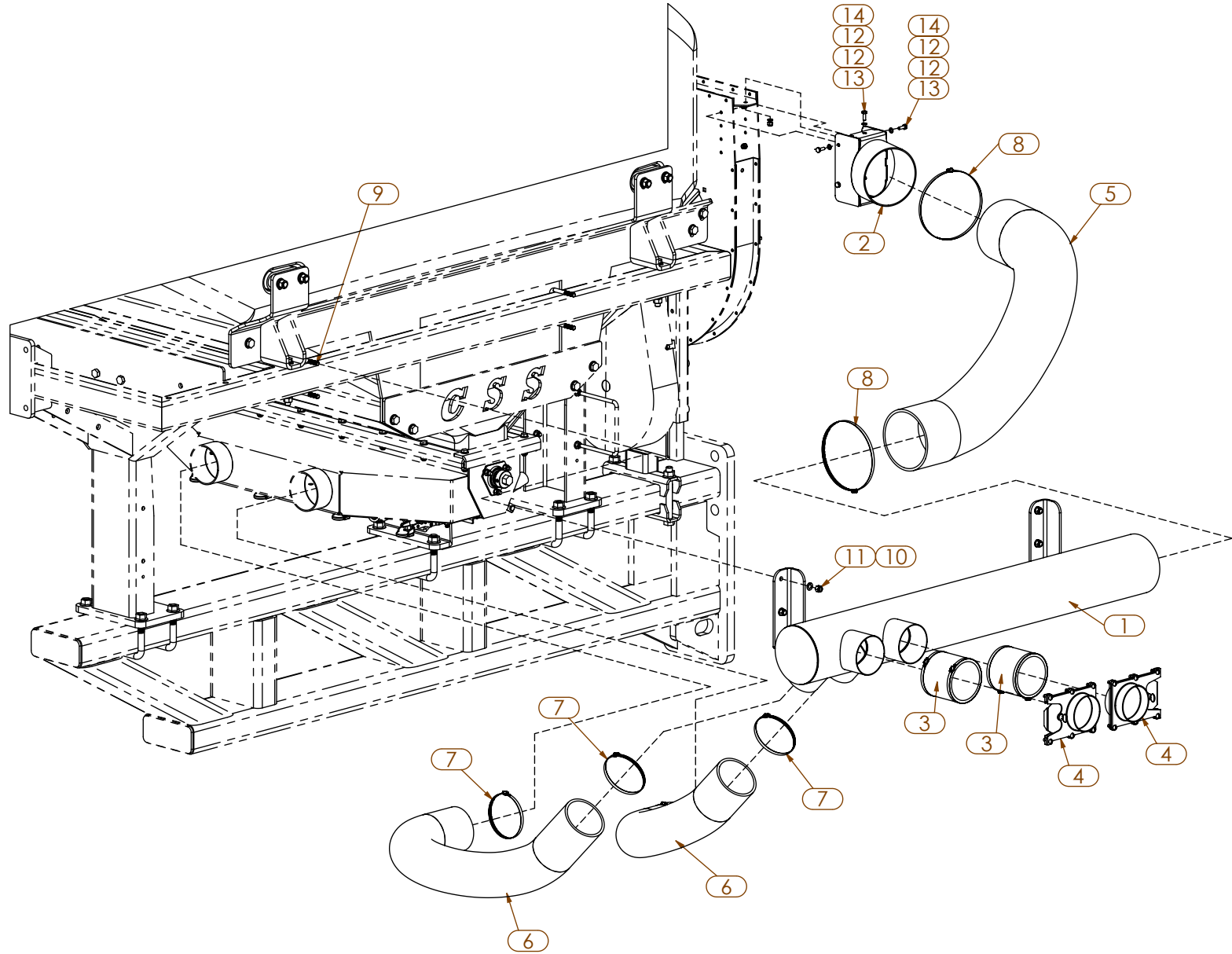
P-103



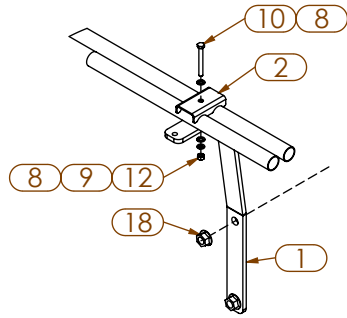
ITEM	PART NUMBER	DESCRIPTION
1	200920	PLATFORM WA
2	801579	TREAD PLANK
3	200353	BRACKET, RAILING, HANDLE
4	200527	RAILING, LOWER HAND CSS
5	200536	TOP SIDE RAILING
6	200528	RAILING, UPPER CSS
7	KD11395	BUSHING, .500 X .258 X .500 L.
8	300510	PIN, 3/8 X 4 (USABLE), QUICK REL.
9	300511	LANYARD, 8" LENGTH
10	300512	SCREW, SELF DRILL 10-16
11	W-4410	WASHER, FLAT, 1/2" SAE G8
12	W-4610	WASHER, SPLIT, 1/2", G8
13	N-4001	NUT, HEX, 1/2"-13, G8
14	H-4520	BOLT, HEX, 1/2"-13 X 5-1/2" G8
15	W-2410	WASHER, FLAT, 3/8" SAE G8
16	W-2610	WASHER, SPLIT, 3/8", G8
17	N-2001	NUT, HEX, 3/8"-16, G8
18	H-3309	BOLT, HEX, 3/8"-16 X 3" G5
19	W-0210	WASHER, FLAT, 1/4" USS G8
20	N-0610	NUT, NYLOCK 1/4"-20
21	H-1150	BOLT, HEX, 1/4"-20 X 1-1/2" G5
22	200680	LADDER BASE WA
23	200302	LADDER, UPPER WA
24	200367	LADDER, LOWER WA
25	300168	GAS SPRING
26	802330	TUBE, .62 X .38 X 1.87
27	7082.AM	KNOB
28	N-4501	NUT, HEX, JAM, 1/2"-13
29	801960	LATCH PIN
30	10172041	ROLL PIN, 4 X 25mm

ITEM	PART NUMBER	DESCRIPTION
31	300230	SPRING
32	300513	PIN, 3/8 X 1.8 (USABLE), QUICK REL.
33	W-4410	WASHER, FLAT, 1/2" SAE G8
34	N-1101	NUT, NYLOCK, 5/16"-18 G5
35	W-2410	WASHER, FLAT, 3/8" SAE G8
36	H-3309	BOLT, HEX, 3/8"-16 X 3" G5
37	N-2101	NUT, NYLOCK 3/8"-16 G8
38	H-3220	BOLT, HEX, 3/8"-16 X 2-1/2" G8

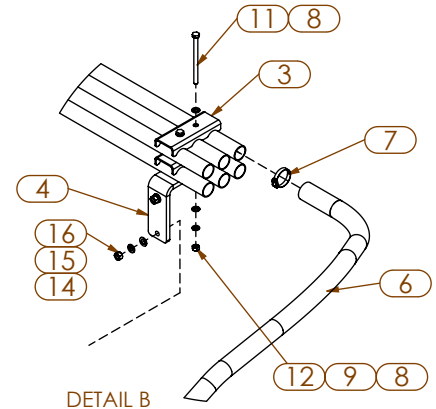
P-105



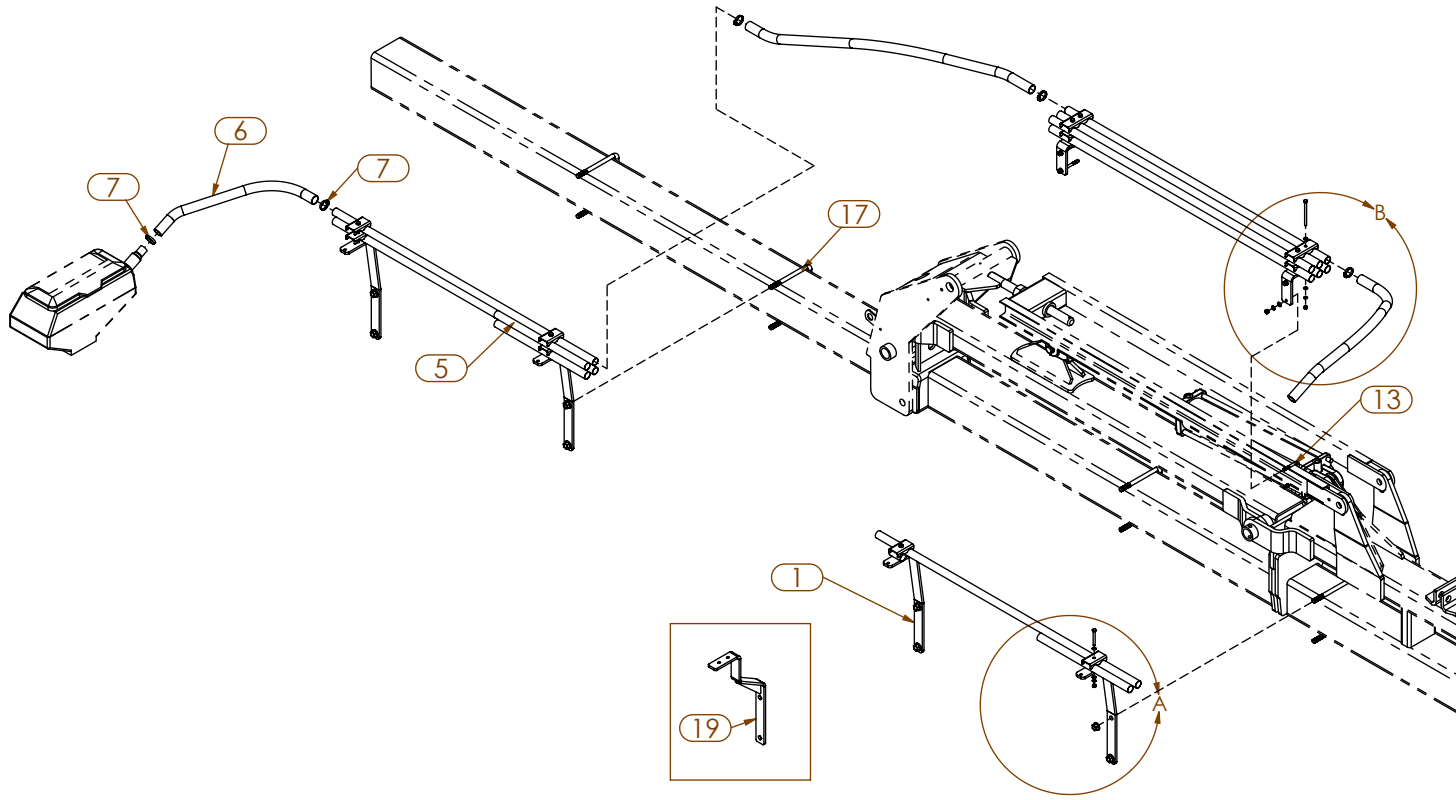
ITEM	PART NUMBER	DESCRIPTION
1	201047	BAZOOKA TUBE WA
2	201048	XHO TURBOFAN EXHAUST WA
3	300171	4" FLEXIBLE PIPE SOCKET COUPLER
4	300447	BLAST GATE w/ SLIDE
5	P630ED-6	6" BLACK EPDM KANAFLEX DUCTING
6	P630ED-4	4" BLACK EPDM KANAFLEX DUCTING
7	HC-512T	T-BOLT CLAMP, 4"
8	HC-104T	T-BOLT HOSE CLAMP, 6-3/4"
9	300227	U-BOLT, 3 X 3 X 3/8"-16
10	W-2410	WASHER, FLAT, 3/8" SAE G8
11	N-2101	NUT, NYLOCK 3/8"-16 G8
12	W-0410	WASHER, FLAT, 1/4" SAE G8
13	H-1074	BOLT, HEX, 1/4"-20 X 3/4" G5
14	N-0610	NUT, NYLOCK 1/4"-20



DETAIL A



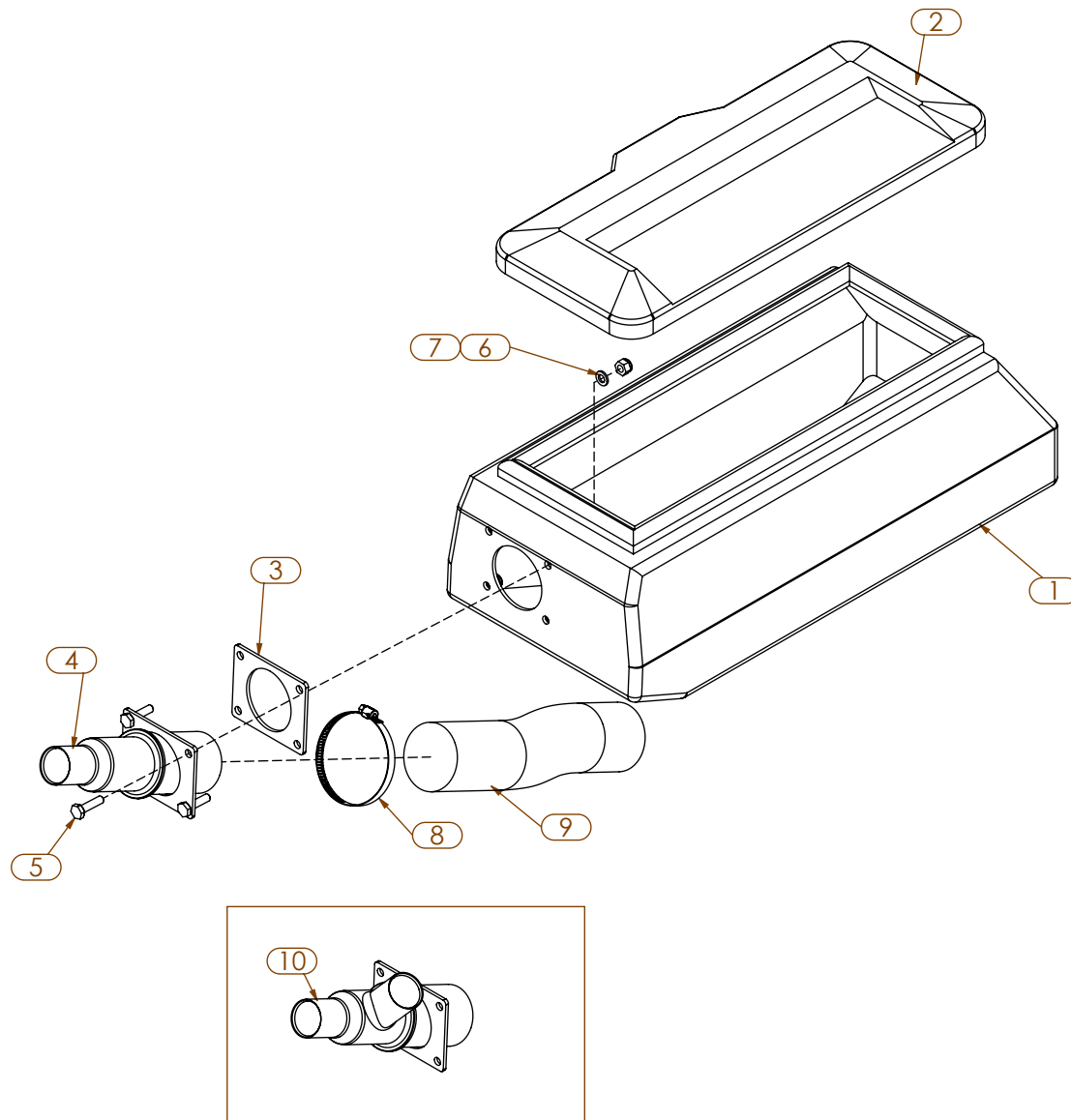
DETAIL B



P-107

ITEM	PART NUMBER	DESCRIPTION
1	803747	PLATE, BEND - BAZOOKA MNT
2	801879	2 SLOT PLATE
3	801818	3 SLOT PLATE
4	801951	BEND PLATE
5	EMJ143917	1-1/4" AL. TUBE, .065 WALL
6	P112CL-1.25	SEED DELIVERY HOSE, 1-1/4" I.D.
7	HC-016	HOSE CLAMP, #16
8	W-1410	WASHER, FLAT, 5/16" SAE G8
9	W-1610	WASHER, SPLIT, 5/16", G8
10	H-2275	BOLT, HEX 5/16"-18 X 2-3/4" Z G5
11	H-2455	BOLT, HEX, 5/16"-18 X 4-1/2" G5
12	N-1001	NUT, HEX, 5/16"-18, G5
13	300227	U-BOLT, 3 X 3 X 3/8"-16
14	W-2410	WASHER, FLAT, 3/8" SAE G8
15	W-2610	WASHER, SPLIT, 3/8", G8
16	N-2001	NUT, HEX, 3/8"-16, G8
17	4502.S	U-BOLT, 7 X 7 X 5/8"-11
18	N-5401	NUT, FLANGE, 5/8"-11
19	200407	MAIN BAR SEED TUBE MNT

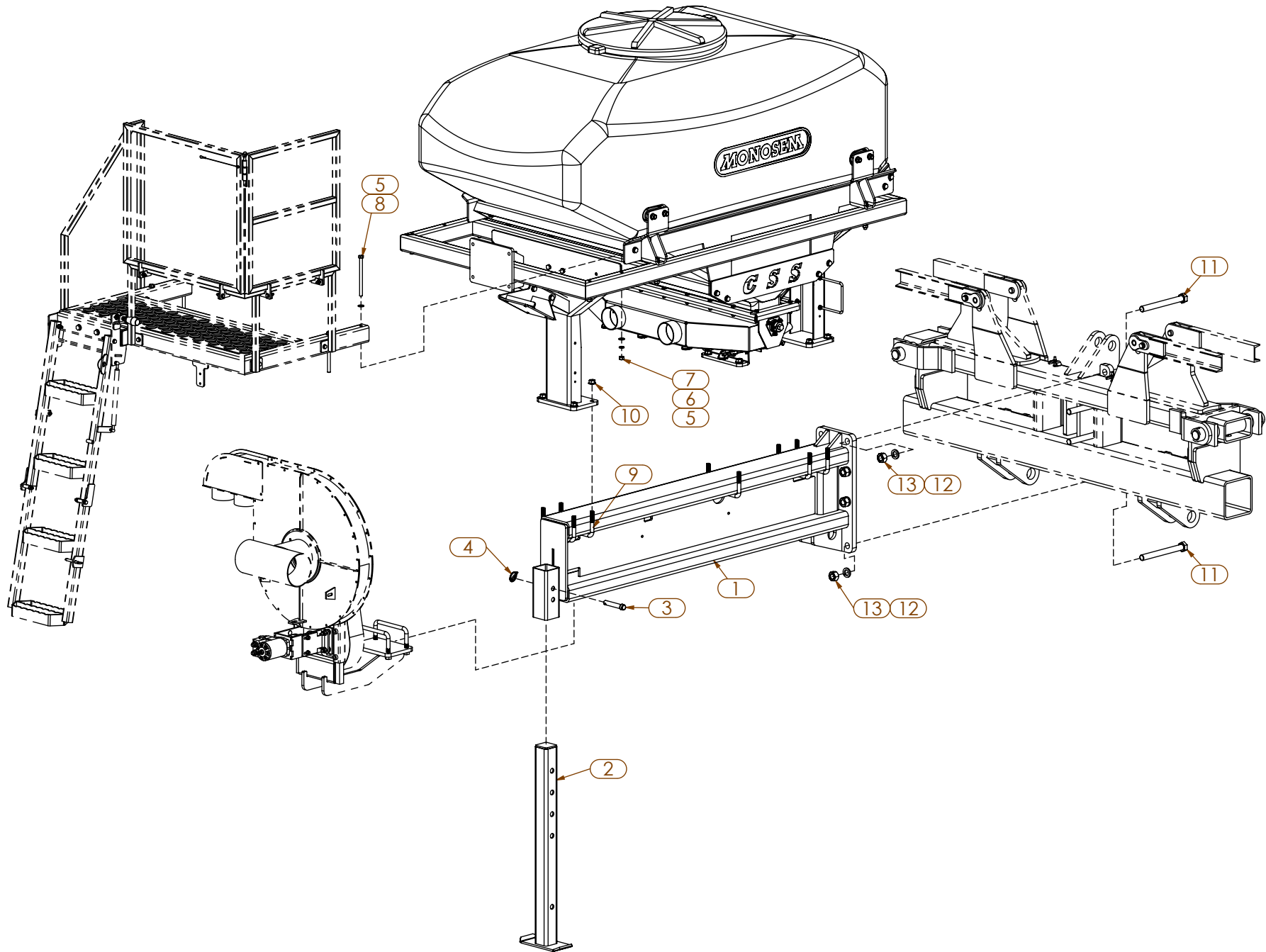
P-109



ITEM	PART NUMBER	DESCRIPTION
1	802886	16L HOPPER MODIFIED
2	7088.N	LID
3	802859	GASKET
4	100323	STRAIGHT INLET ASM
5	H-1000	BOLT, HEX, 1/4"-20 X 1" G5
6	W-0410	WASHER, FLAT, 1/4" SAE G8
7	N-0610	NUT, NYLOCK 1/4"-20
8	HC-040	HOSE CLAMP, #40
9	P116CL-2	HOSE, 2" I.D., 12" LG.
10	100322	Y-INLET ASM

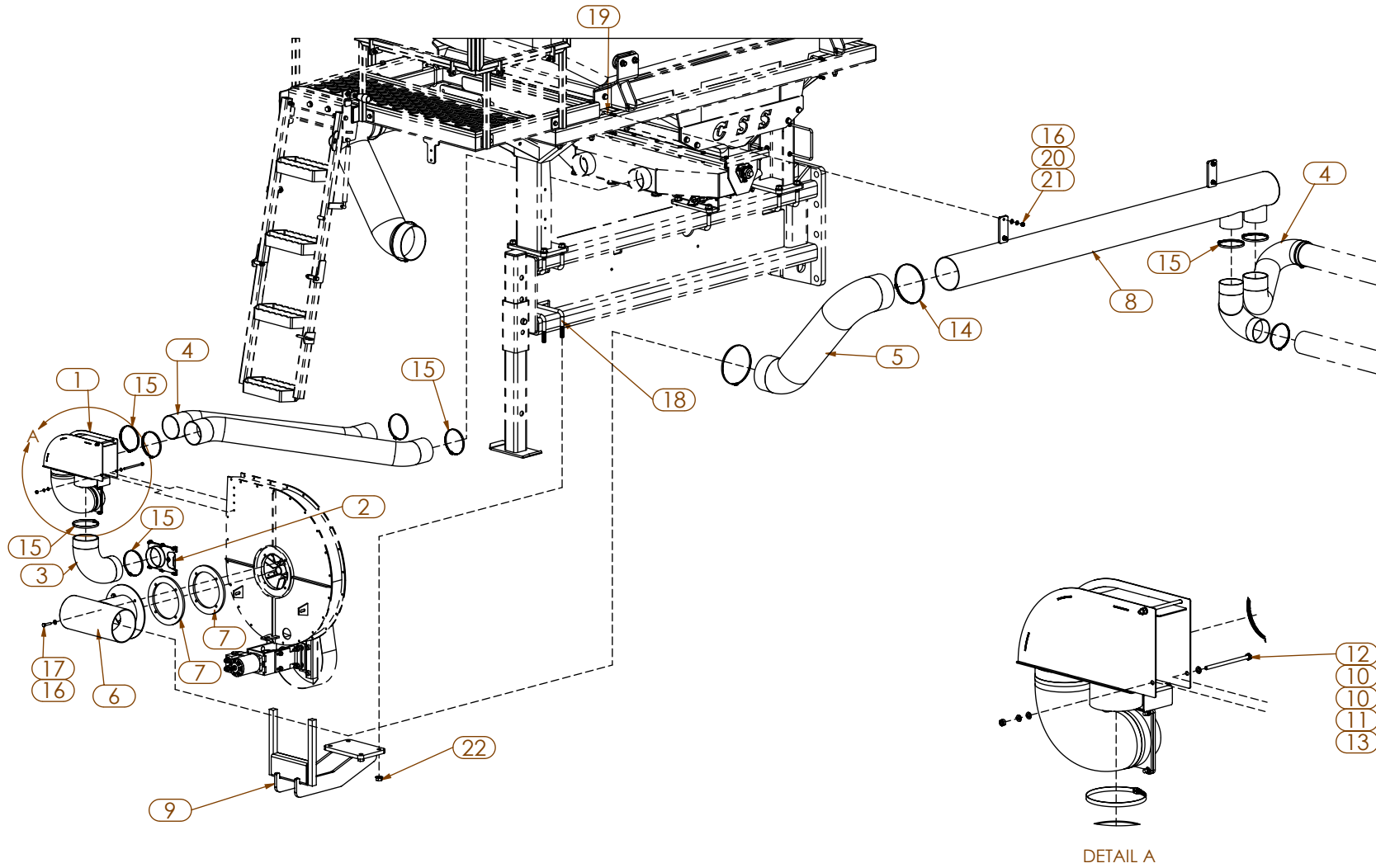
P-110

P-111

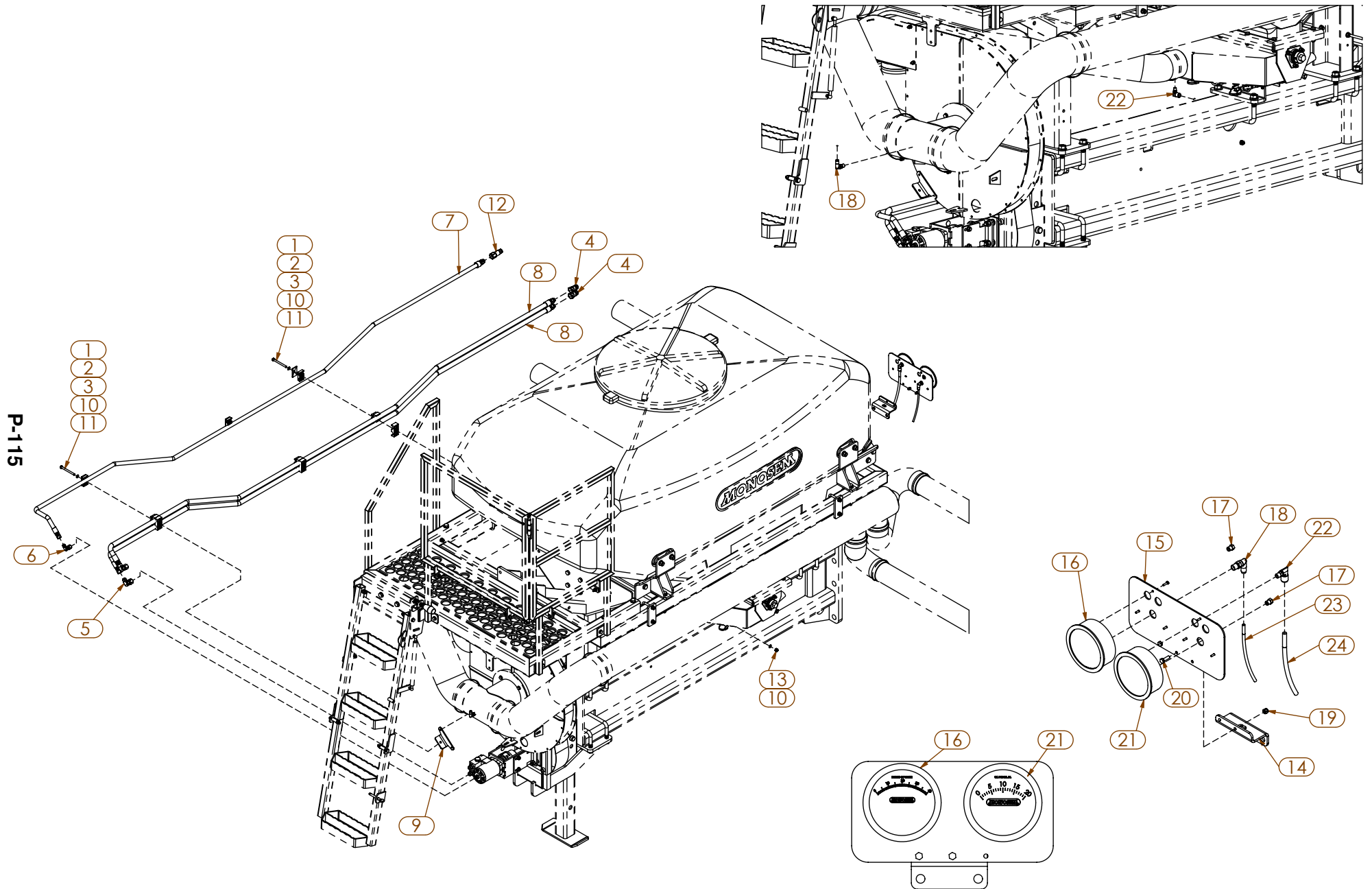


ITEM	PART NUMBER	DESCRIPTION
1	200815	DIVING BOARD WA - NO AIRBAR
2	STB-A-002	JACKSTAND LEG WA
3	STB-P-003	JACKSTAND PIN
4	6077	LYNCH PIN, 6MM
5	W-4410	WASHER, FLAT, 1/2" SAE G8
6	W-4610	WASHER, SPLIT, 1/2", G8
7	N-4001	NUT, HEX, 1/2"-13, G8
8	H-4701	BOLT, HEX, 1/2"-13 X 7" G8
9	900164	U-BOLT, 5/8"-11 X 7 X 3
10	N-5401	NUT, FLANGE, 5/8"-11
11	H-7610	BOLT, HEX, 1"-8 X 10" G8
12	W-7610	WASHER, SPLIT, 1", G8
13	N-8001	NUT, HEX, 1"-8, G8

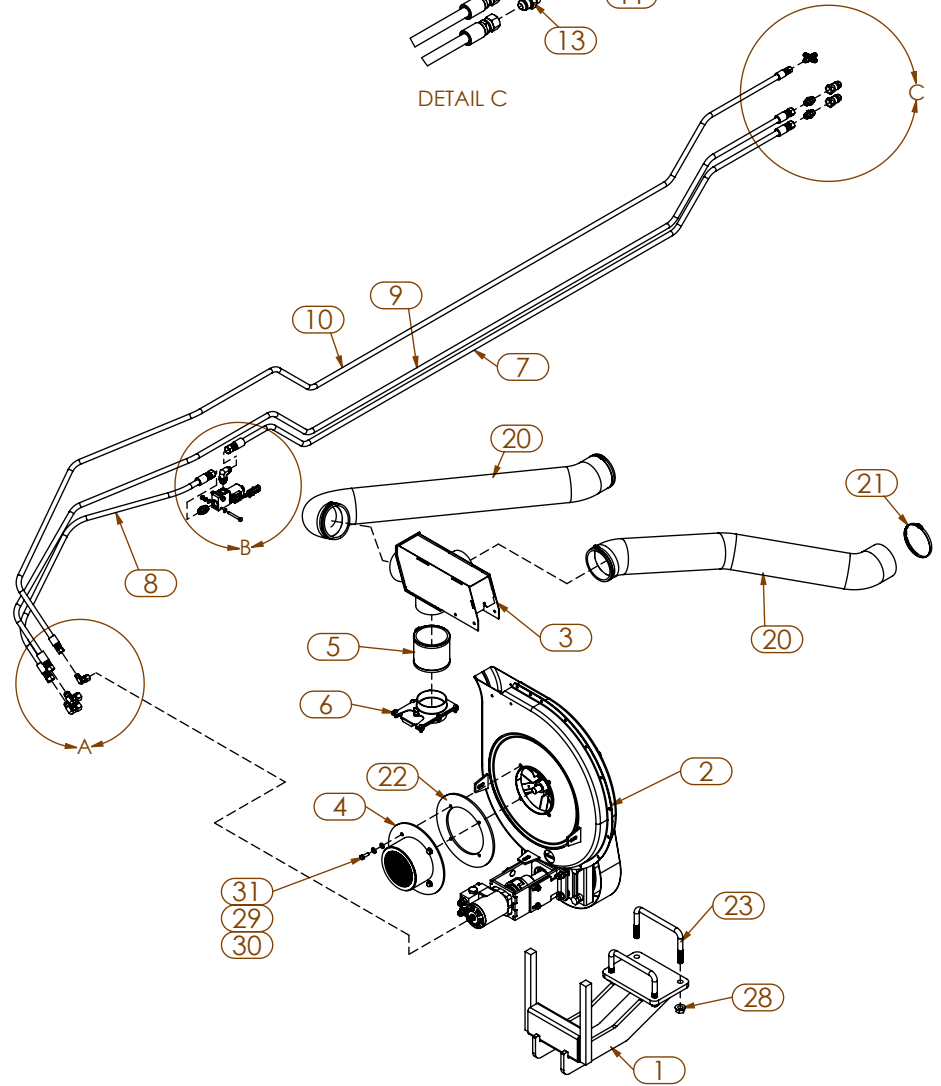
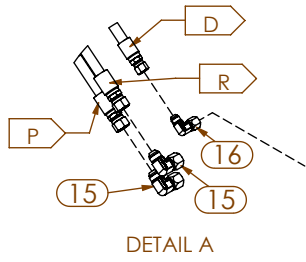
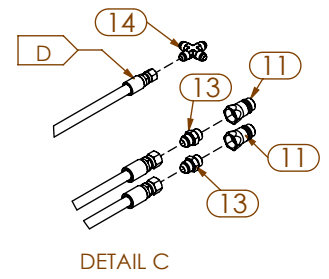
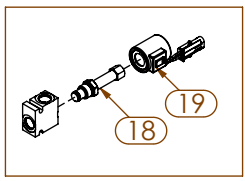
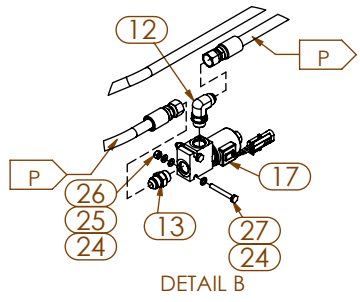
P-113



ITEM	PART NUMBER	DESCRIPTION
1	201036	TURBOFAN EXHAUST, 4 OUTLET
2	300447	BLAST GATE w/ SLIDE
3	301111	4" 90° RUBBER ELBOW
4	P630ED-4	4" BLACK EPDM KANAFLEX DUCTING
5	P630ED-6	6" BLACK EPDM KANAFLEX DUCTING
6	800548	TURBO FAN MANIFOLD
7	800253	SPACER RING PLATE
8	200878	BAZOOKA, 1-6" TO 2-4"
9	200877	TURBOFAN MNT WA
10	W-0410	WASHER, FLAT, 1/4" SAE G8
11	W-0610	WASHER, SPLIT, 1/4", G8
12	H-1450	BOLT, HEX, 1/4"-20 X 4-1/2" G5
13	N-0601	NUT, HEX, 1/4-20, G8
14	HC-104T	T-BOLT HOSE CLAMP, 6-3/4"
15	HC-512T	T-BOLT CLAMP, 4"
16	W-2410	WASHER, FLAT, 3/8" SAE G8
17	HM-2840	HEX, BOLT, 8 X 40, G8.8
18	900164	U-BOLT, 7 X 3 X 5/8"-11
19	300227	U-BOLT, 3 X 3 X 3/8"-16
20	W-2610	WASHER, SPLIT, 3/8", G8
21	N-2001	NUT, HEX, 3/8"-16, G8
22	N-5401	NUT, FLANGE, 5/8"-11



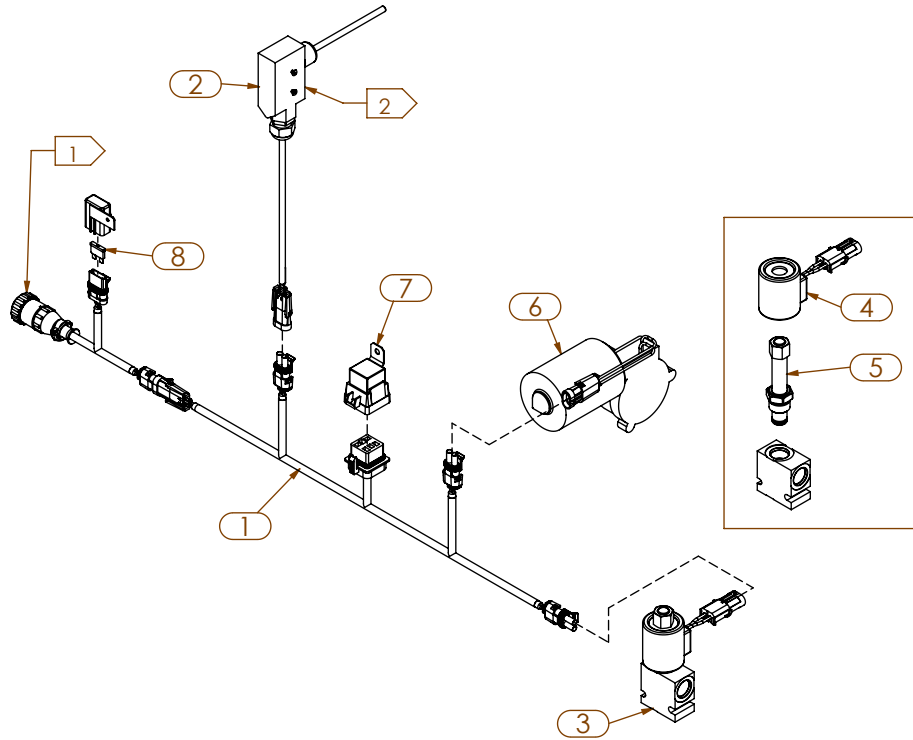
ITEM	PART NUMBER	DESCRIPTION
1	300860	CLAMP CUSHION PAIR - 1/2" HOSE
2	300292	CLAMP CUSHION PAIR - 3/8" HOSE
3	300289	CLAMP COVER PLATE - 1/2" TUBE
4	TS71-15P	QD COUPLR, 3/4-16, ORB POPPET STYLE
5	TA6500-8-8	1/2 MALE JIC-1/2 FEM JIC 90DEG
6	TA6500-6-6	3/8 MALE JIC - 3/8 FEM 90 DEG
7	300862	HYD HOSE 3/8 X 180 - 06FJ/08MBO
8	300861	HYD HOSE 1/2 X 180 - 08FJ/08MBO
9	804176	MNT PLATE, HOSE CUSHION TO TURBOFAN
10	W-1410	WASHER, FLAT, 5/16" SAE G8
11	H-2355	BOLT, HEX, 5/16"-18 X 3-1/2" G5
12	301044	HYD QD - CASE DRAIN W/RELIEF
13	N-1101	NUT, NYLOCK, 5/16"-18 G5
14	803807	PLATE, GAUGE MOUNT
15	800187	DOUBLE GAUGE PANEL
16	D2040	VACUUM GAUGE
17	D200108-00	FILTER VENT PLUG
18	T279-PP-4-2	1/4-1/8 POLYPUSH SWIVEL 90
19	NM-0605	NUT, NYLOCK, 6mm, G8.8
20	HM-0620	HEX, BOLT, 6 X 20, G8.8
21	301094	PRESSURE GAUGE, CSS 0-20 OZ/SQ. IN.
22	T279PP-6-2	3/8-1/8 POLYPUSH SWIVEL 90
23	JPT04	TUBING 1/4"
24	JPT06	TUBING 3/8"



- P** PRESSURE LINE, CONNECT TO "IN" PORT ON MOTOR BLOCK
- R** PRESSURE LINE, CONNECT TO "OUT" PORT ON MOTOR BLOCK
- D** CASE DRAIN LINE, CONNECT TO VACUUM FAN DRAIN LINE

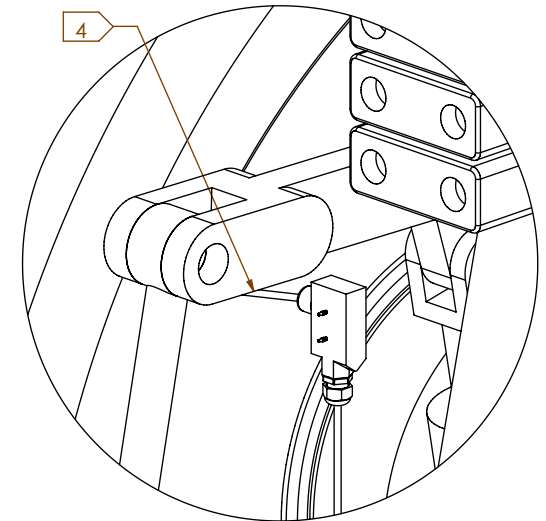
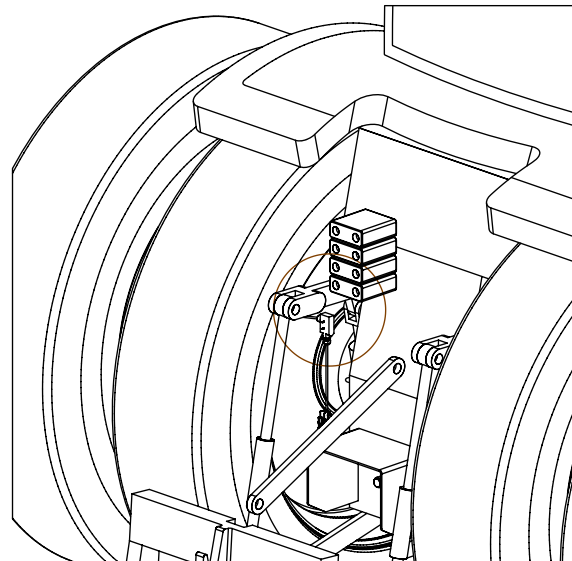
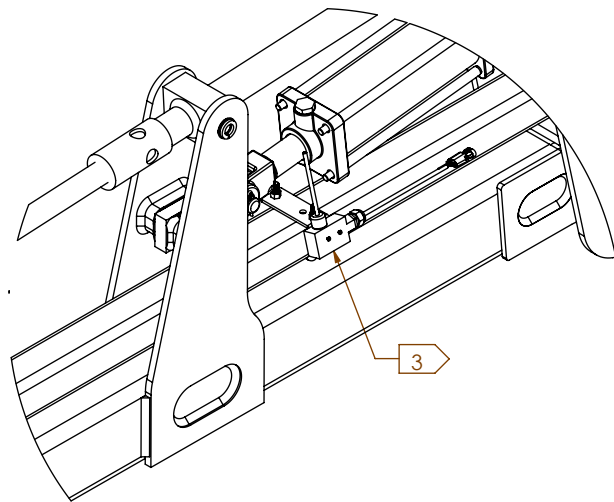
P-117

ITEM	PART NUMBER	DESCRIPTION
1	200877	TURBOFAN MNT WA
2	P71202	HO TURBO WITH HYD MOTOR
3	200363	CSS AIR MANIFOLD HO
4	201295	TURBO BLOWER, INLET SCREEN
5	300171	4" FLEXIBLE PIPE SOCKET COUPLER
6	300447	BLAST GATE w/ SLIDE
7	-	HYD HOSE, P1, 1/2 X 156.0
8	--	HYD HOSE, P2, 1/2 X 36.0
9	---	HYD HOSE, R, 1/2 X 192
10	----	HYD HOSE, D, 3/8 X 120.0
11	TS71-15P	QD COUPLR, 3/4-16, ORB POPPET STYLE
12	TA6801-8-8	1/2 M JIC - 1/2 M ORING 90 DEG
13	TA6400-8-8	1/2 MALE JIC-1/2 MALE O-RING
14	TA2650-6-6-6-6	JIC UNION CROSS, 3/8" (-06)
15	TA6500-8-8	1/2 MALE JIC-1/2 FEM JIC 90DEG
16	TA6500-6-6	3/8 MALE JIC - 3/8 FEM 90 DEG
17	300072	SOLENOID VALVE ASM
18	300085	CARTRIDGE VALVE
19	300084	SOLENOID COIL
20	P630ED-4	4" BLACK EPDM KANAFLEX DUCTING
21	HC-512T	T-BOLT CLAMP, 4"
22	900131	GASKET
23	900164	U-BOLT, 7 X 3 X 5/8"-11
24	W-0410	WASHER, FLAT, 1/4" SAE G8
25	W-0610	WASHER, SPLIT, 1/4", G8
26	N-0601	NUT, HEX, 1/4"-20, G8
27	H-1200	BOLT, HEX, 1/4"-20 X 2" G5
28	N-5401	NUT, FLANGE, 5/8"-11
29	W-2410	WASHER, FLAT, 3/8" SAE G8
30	W-2610	WASHER, SPLIT, 3/8", G8
31	HM-2825	HEX, BOLT, 8 X 25, G8.8



- 1 SYSTEM RECEIVES POWER FROM TRACTOR ACCESORY SOCKET, +12VDC
- 2 WOBBLE SWITCH WIRED NC
IF WOBBLE SWITCH TRIPPED OR DISCONNECTED, AGITATOR RECEIVES POWER
IF WOBBLE SWITCH NORMAL, SOLENOID VALVE RECEIVES POWER (CLOSES)
- 3 IF WOBBLE SWITCH IS HD LIFT ASSIST MOUNTED, POSITION IT SO THAT IT'S TRIPPED DURING FIELD OPERATION
- 4 IF WOBBLE SWITCH IS TRACTOR MOUNTED, POSITION IT SO THAT IT'S TRIPPED DURING FIELD OPERATION; SPECIAL MOUNTING BRACKETS MAY NEED TO BE FABRICATED

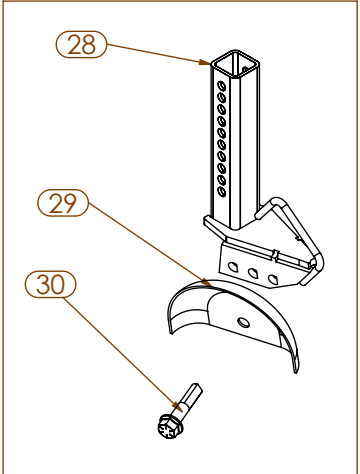
P-119



DETAIL A

ITEM	PART NUMBER	DESCRIPTION
1	100124	CSS WIRING HARNESS
2	300111	WOBBLE SWITCH W CONNECTOR
3	300072	SOLENOID VALVE ASM
4	300084	SOLENOID COIL
5	300085	CARTRIDGE VALVE
6	100690	AGITATOR MOTOR WITH CONNECTOR
7	300095	ELEC RELAY, WEATHERPROOF
8	300226	FUSE, 20A

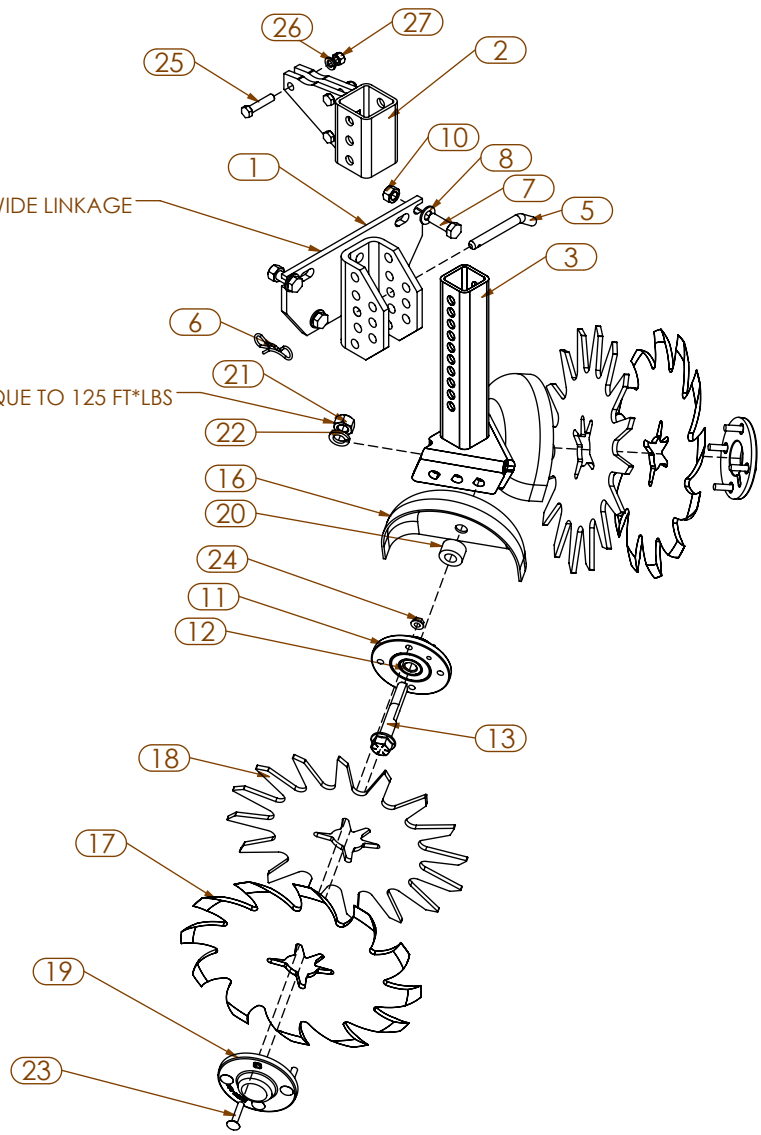
P-121



NARROW ROW SPACING PARTS

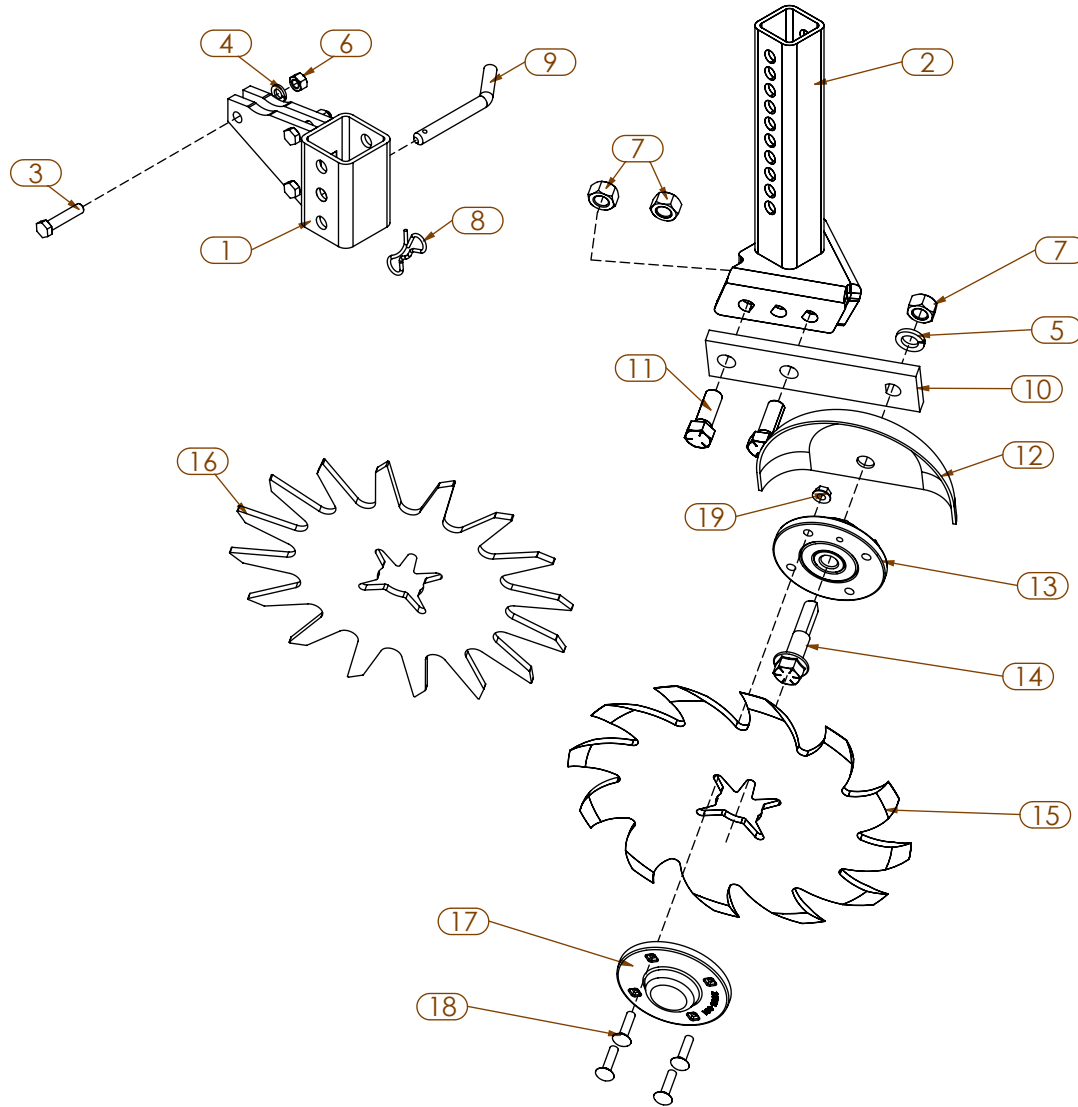
USED WITH WIDE LINKAGE

TORQUE TO 125 FT*LBS



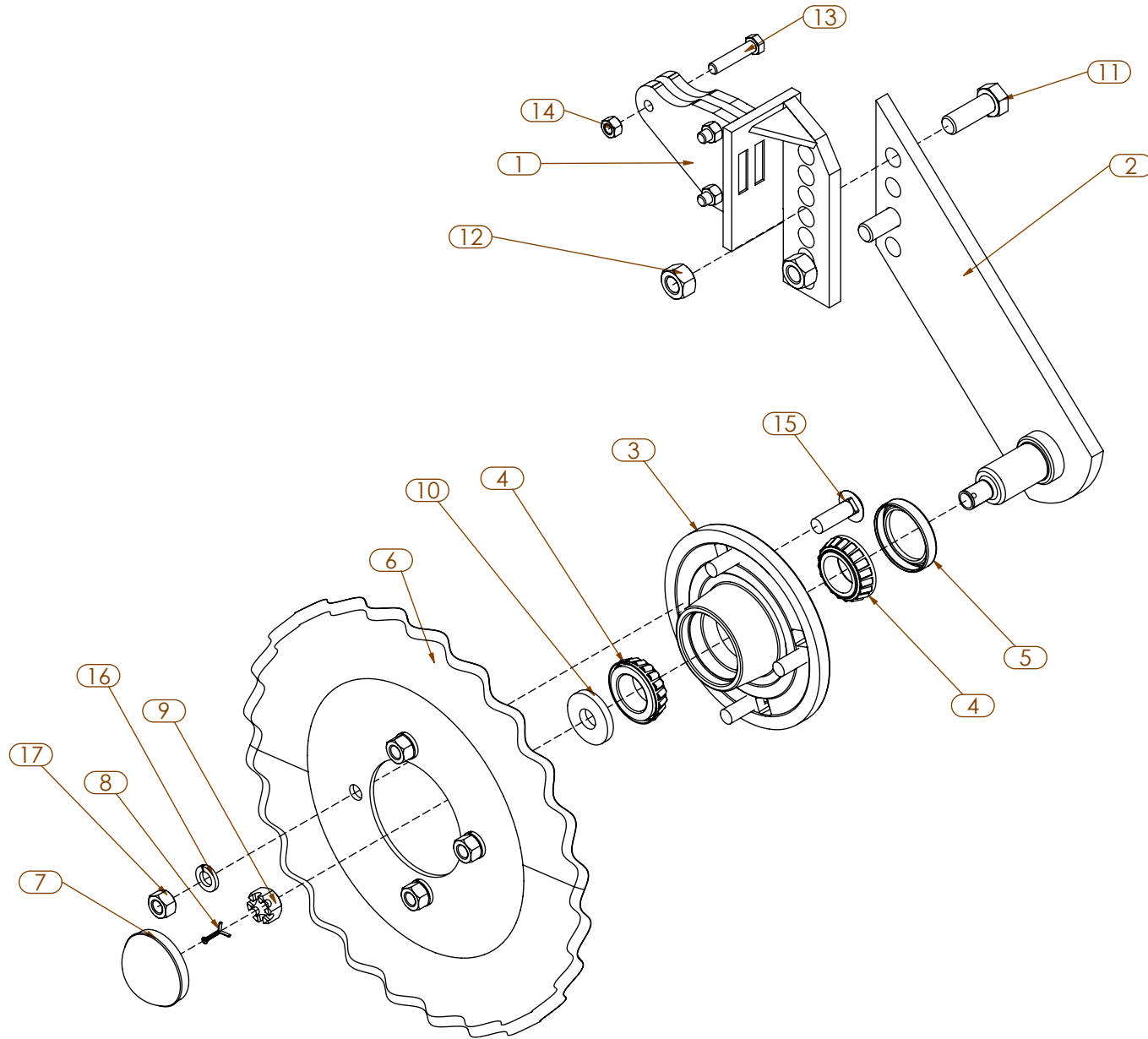
ITEM	PART NUMBER	DESCRIPTION
1	Y2967-211	RESIDUE MANGER MOUNT, FACE PLATE
2	201024	RESIDUE MOUNTING BRACKET
3	Y2967-200	RESIDUE MANAGER STEM
4	Y2967-262	RESIDUE MANAGER STEM, NARROW
5	Y2965-305	PIN, DEPTH ADJUST RES MGR
6	Y2570-448	1/8 HAIRPIN ZP
7	H-4120	BOLT, HEX, 1/2"-13 X 1-1/2" G8
8	W-4410	WASHER, FLAT, 1/2" SAE G8
9	W-4210	WASHER, FLAT, 1/2" USS G8
10	N-4001	NUT, HEX, 1/2"-13, G8
11	Y2965-128	HUB W/ BEARING COMPLETE
12	Y2570-594	BEARING
13	Y2570-742	D-BOLT, FLANGE, 5/8-11_4 GR8
14	Y2570-740	BOLT, HEX FLANGE HEAD, 5/8-11 X 3, FLATSIDE
15	Y2967-392	SHIELD
16	Y2967-336	SHIELD, STANDARD
17	Y2967-602	WHEEL, SHARKTOOTH
18	Y2967-404	WHEEL, SPIKE
19	Y2965-352	HUB CAP, CAST
20	Y2967-302	SPACER, 3/4"
21	N-5001	NUT, HEX, 5/8"-11, G8
22	W-5610	WASHER, SPLIT, 5/8", G8
23	CB-1150	BOLT, CARR, 5/16-18 X 1.5, GR5
24	N-1110	NUT, SER. FLANGE, 5/16"-18
25	H-3130	BOLT, HEX, 3/8"-16 X 1-3/4" G8
26	W-2610	WASHER, SPLIT, 3/8", G8
27	N-2001	NUT, HEX, 3/8"-16, G8
28	Y2967-262	RESIDUE MANAGER STEM, NARROW
29	Y2967-392	SHIELD
30	Y2570-740	BOLT, HEX FLANGE HEAD, 5/8-11 X 3, FLATSIDE

P-122



P-123

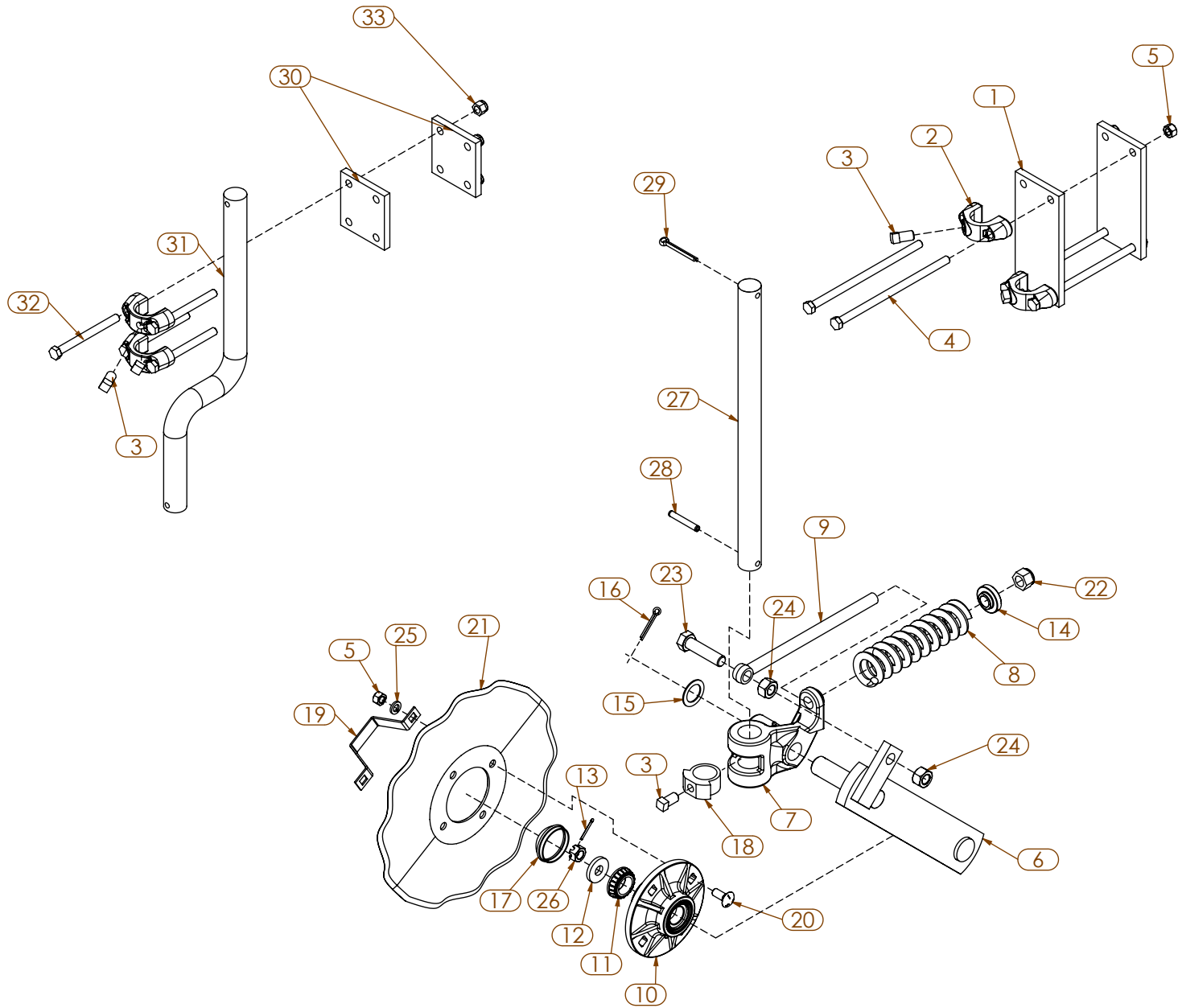
ITEM	PART NUMBER	DESCRIPTION
1	201024	RESIDUE MOUNTING BRACKET
2	Y2967-200	RESIDUE MANAGER STEM
3	H-3130	BOLT, HEX, 3/8"-16 X 1-3/4" G8
4	W-2610	WASHER, SPLIT, 3/8", G8
5	W-5610	WASHER, SPLIT, 5/8", G8
6	N-2001	NUT, HEX, 3/8"-16, G8
7	N-5001	NUT, HEX, 5/8"-11, G8
8	Y2570-448	1/8 HAIRPIN ZP
9	Y2965-305	PIN, DEPTH ADJUST RES MGR
10	Y2967-076	SGL WHL R.M. STRAP
11	Y2570-743	BOLT, HEX, 5/8-11_1.75_FLATSIDE
12	Y2967-392	SHIELD
13	Y2965-128	HUB W/ BEARING COMPLETE
14	Y2570-740	BOLT, HEX FLANGE HEAD, 5/8-11 X 3, FLATSIDE
15	Y2967-602	WHEEL, SHARKTOOTH
16	Y2967-404	WHEEL, SPIKE
17	Y2965-352	HUB CAP, CAST
18	CB-1150	BOLT, CARR, 5/16-18 X 1 1/2" GR5
19	N-1110	NUT, SER. FLANGE, 5/16"-18



P-125

ITEM	PART NUMBER	DESCRIPTION
1	200340	COULTER MOUNT WA
2	L527-100	COULTER ARM
3	Y2900-102	HUB ASM
4	Y2550-027	CONE
5	Y2550-115	SEAL
6	Y2571-166	NO-TILL COULTER
7	Y2570-375	HUB CAP
8	Y2531-102	COTTER PIN, 1/8" X 1-1/4"
9	N-5502	NUT, HEX, SLOTTED, 5/8"-18
10	Y2526-449	WASHER, FLAT, 5/8", 1/4" THICK
11	H-5130	BOLT, HEX, 5/8"-11 X 1-3/4" G8
12	N-5301	NUT, HEX, CL, 5/8"-11
13	H-3130	BOLT, HEX, 3/8"-16 X 1-3/4" G8
14	N-2300	NUT, HEX, CL, 3/8"-16
15	CB-4411	BOLT, CARR., 1/2"-13 X 1.50, G5
16	W-4610	WASHER, SPLIT, 1/2", G8
17	N-4001	NUT, HEX, 1/2"-13, G8

P-126



P-127

ITEM	PART NUMBER	DESCRIPTION
1	Y2990-315	CLAMP PLATE
2	Y2990-360	CLAMP CASTING
3	2503-379	5/8-11 X 1 SQ HEAD, SET SCREW
4	H-4905	BOLT, HEX, 1/2"-13 X 10", AT, G5
5	N-4001	NUT, HEX, 1/2"-13, G8
6	2910-207	COULTER ARM WA
7	2910-320	PIVOT CASTING
8	2550-774	SPRING, COMPRESSION
9	2570-124	3/4 EYEBOLT, 3/4 EYE, 12"
10	2900-102	HUB ASM
11	2550-027	CONE, LM67048
12	2526-449	WASHER, 5/8" ID X 1 3/4" OD X 1/4"
13	2531-102	SPLIT PIN,
14	2555-112	SPRING BUSHING
15	2526-561	MACHINE BUSHING, 1.26 X 1.87 X .07
16	2531-125	1/4 X 1-3/4 COTTER PIN
17	2570-375	CAP
18	2910-301	LOCKING COLLAR PLOW COULTER
19	2987-301	RETAINER
20	2505-337	1/2-13 X 1 1/4 CAR BOLT GR5
21	Y2571-162	COULTER BLADE, 16", 13 WAVE
22	N-6101	NUT, NYLOCK 3/4"-10 G8
23	H-6301	BOLT, HEX, 3/4"-10 X 3" G8
24	N-6001	NUT, HEX, 3/4"-10, G8
25	W-4610	WASHER, SPLIT, 1/2", G8
26	N-5502	NUT, HEX, SLOTTED, 5/8"-18
27	Y3010-303	SHANK, 22"
28	2530-208	3/8 X 2 1/2 ROLL PIN
29	2531-161	5/16 X 2 1/2 COTTER PIN
30	2990-313	PLATE, MOUNT FOR 2.5" BAR
31	Y3011-302	OFFSET SHANK
32	H-4520	BOLT, HEX, 1/2"-13 X 5-1/2" G8
33	N-4101	NUT, NYLOCK 1/2"-13 G8

MONOSEM-INC.com

MONOSEM

Enhanced precision

P: 913.438.1700

F: 913.438.5455

Monosem, Inc.

1001 Blake St. • Edwardsville, KS 66111